



US00D472392S

(12) **United States Design Patent**
Clingman, Jr.

(10) **Patent No.:** **US D472,392 S**

(45) **Date of Patent:** **** Apr. 1, 2003**

(54) **PARTIAL OVAL MATBOARD PORTIONS IN THE TOP-LEFT AND LOWER-RIGHT CORNERS THEREOF**

Primary Examiner—Nelson C Holtje

(76) **Inventor:** **Eugene Calvin Clingman, Jr., P.O. Box 166, Hathaway Pines, CA (US) 95233**

(**) **Term:** **14 Years**

(21) **Appl. No.:** **29/152,514**

(22) **Filed:** **Dec. 26, 2001**

(51) **LOC (7) Cl.** **06-07**

(52) **U.S. Cl.** **D6/300**

(58) **Field of Search** D6/300-314; 24/67 CF; 40/777-778

(57) **CLAIM**

The matboard design partial oval matboard portions in the top-left and lower-right corners thereof, as shown and described herein.

DESCRIPTION

The partial ovals are incorporated into matboard commonly used to frame a piece of artwork. The design incorporates dual ovals, one in the top-left corner, the other in the lower-right corner, which are used to frame text within the framed art piece. The matboard on which the design is incorporated may be square or rectangle.

FIG. 1 is a front elevational view of partial oval matboard portions in the top-left and lower-right corners thereof which is horizontally oriented in a rectangular format.

FIG. 2 is a front elevational view thereof which is vertically oriented in a rectangular format; and,

FIG. 3 is a front elevational view thereof which is oriented in a square format.

The broken line showing of environmental structure is for illustrative purposes only and forms no part of the claimed design.

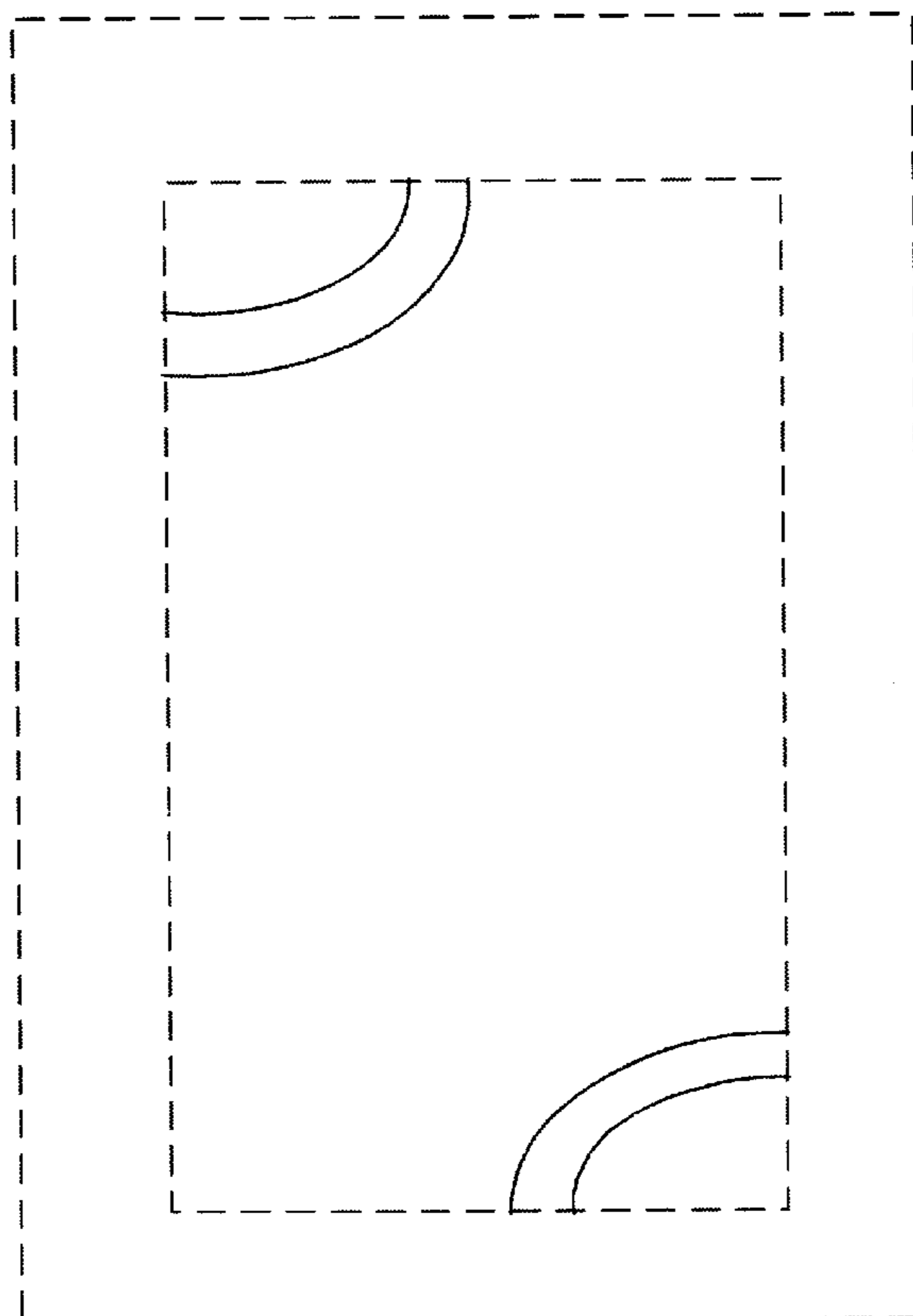
(56) **References Cited**

U.S. PATENT DOCUMENTS

516,189	A	*	3/1894	Dixon	24/67	CF
868,458	A	*	10/1907	Lenz	40/778	X
1,140,904	A	*	5/1915	Kiernan	40/778	X
1,386,771	A	*	8/1921	Engel	40/778	X
D108,708	S	*	3/1938	Springer-miller	D20/10	
2,438,997	A	*	4/1948	Hall	40/778	X
2,844,900	A	*	7/1958	Miller	40/778	
6,370,805	B2	*	4/2002	Thompson	40/778	

* cited by examiner

1 Claim, 2 Drawing Sheets



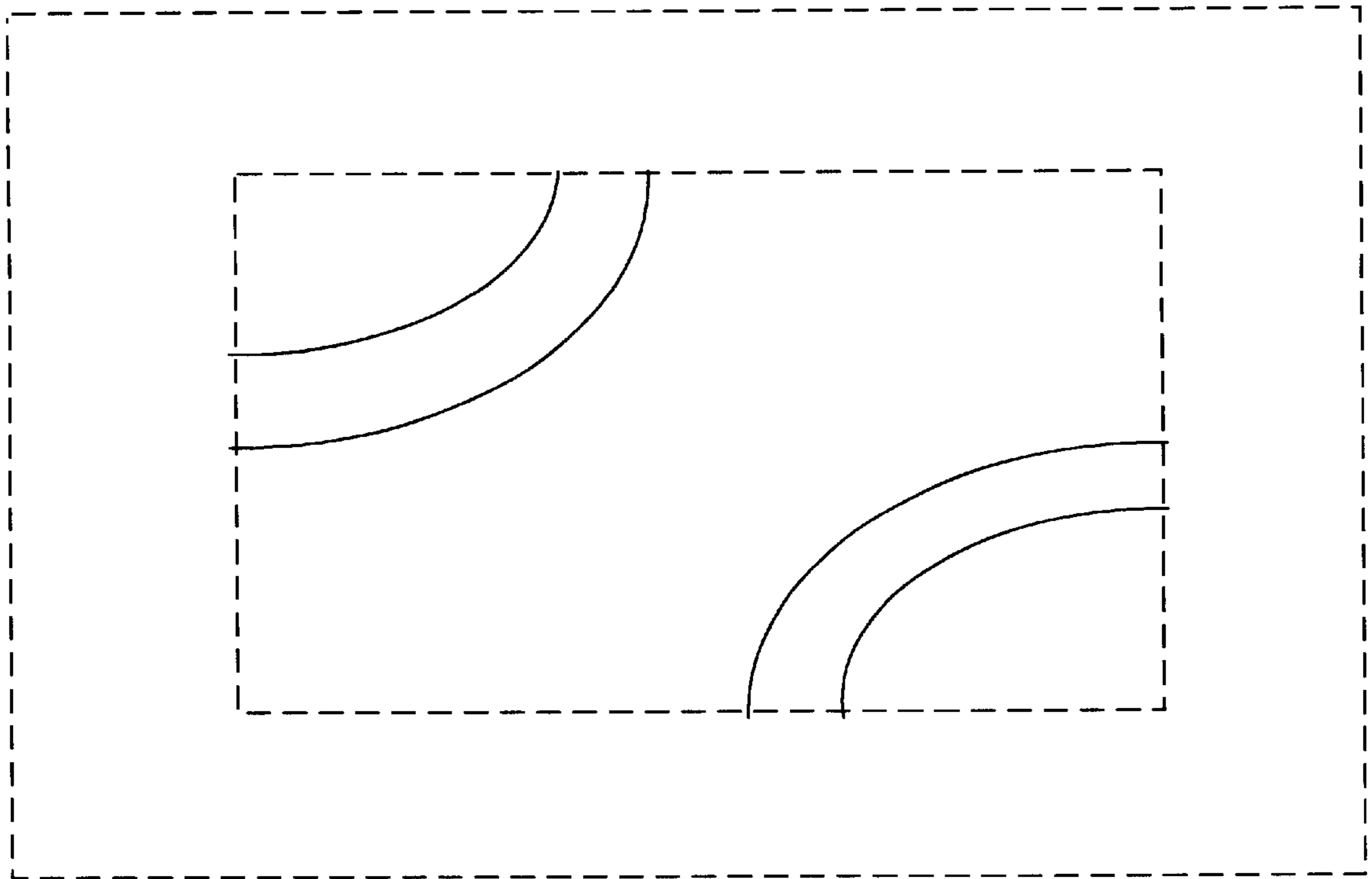


Fig 1

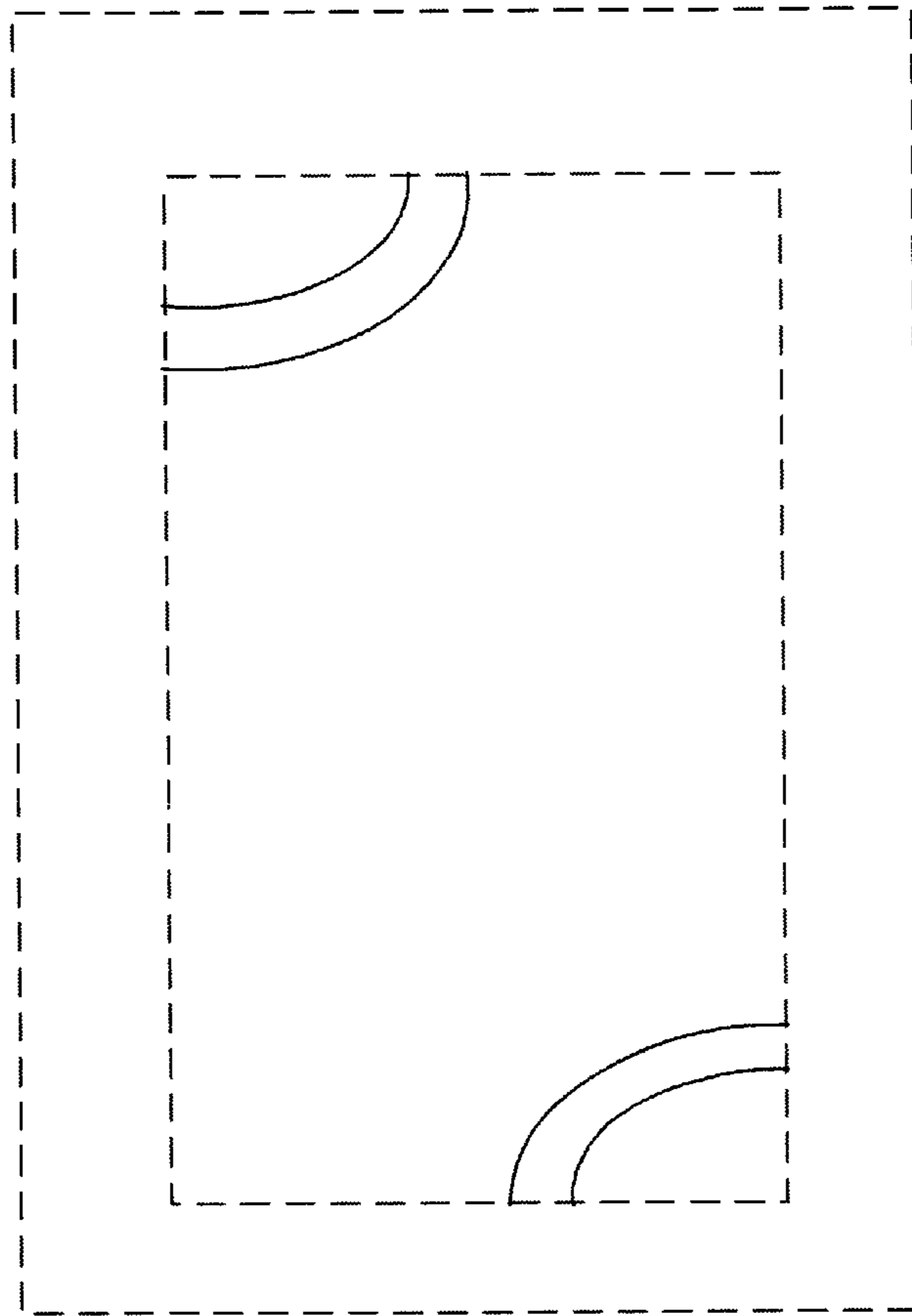


Figure 2

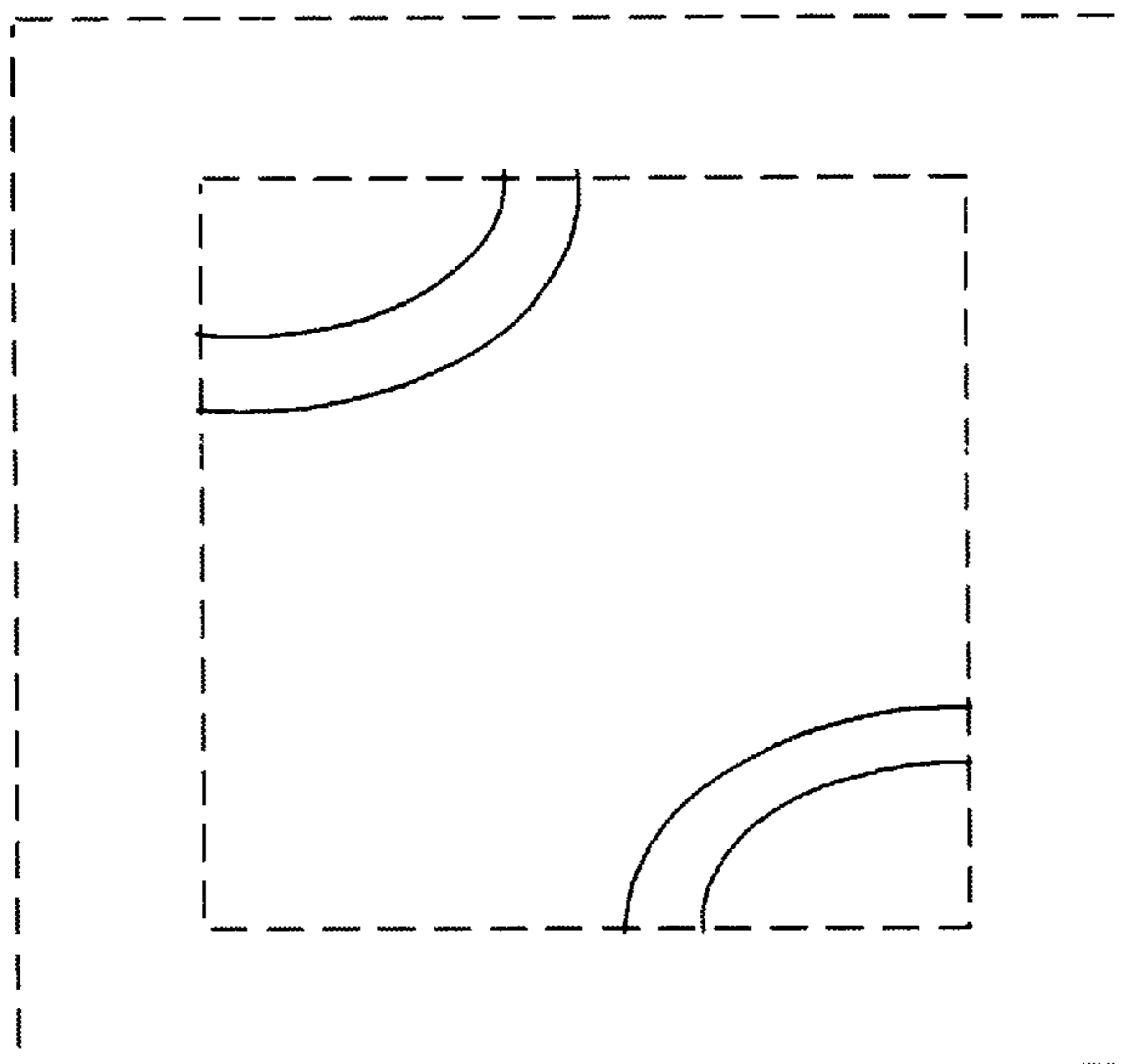


Figure 3