



US00D472385S

(12) **United States Design Patent**
Bauer

(10) **Patent No.:** **US D472,385 S**

(45) **Date of Patent:** **** Apr. 1, 2003**

(54) **DETACHABLE SEGMENTED CARRYING BAG**

(76) **Inventor:** **Stanley R. Bauer**, 2261 S. Carmelina Ave., Los Angeles, CA (US) 90064

(**) **Term:** **14 Years**

(21) **Appl. No.:** **29/140,385**

(22) **Filed:** **Apr. 17, 2001**

(51) **LOC (7) Cl.** **03-01**

(52) **U.S. Cl.** **D3/279; D3/276; D3/289**

(58) **Field of Search** **D3/273, 276, 279, D3/283, 285, 287, 289, 301; 190/100, 109, 110, 111, 112, 113, 115**

(56) **References Cited**

U.S. PATENT DOCUMENTS

D346,694 S	*	5/1994	Cyr et al.	D3/287
D360,978 S	*	8/1995	Willard et al.	D3/276
D376,045 S	*	12/1996	Bernstein et al.	D3/287
D380,612 S	*	7/1997	Kelley et al.	D3/276
D385,699 S	*	11/1997	Lin	D3/279
D399,056 S	*	10/1998	Tawil	D3/283
D414,933 S	*	10/1999	Yu	D3/274
D415,347 S	*	10/1999	Imbert	D3/276
D441,533 S	*	5/2001	Tawil	D3/283
D445,252 S	*	7/2001	Klamm	D3/276

* cited by examiner

Primary Examiner—Philip S. Hyder

(74) *Attorney, Agent, or Firm*—Morland C. Fischer

(57) **CLAIM**

The ornamental design for a detachable segmented carrying bag, as shown and described.

DESCRIPTION

FIG. 1 is a front elevational view showing a detachable segmented carrying bag which forms my new design;

FIG. 2 is a left side elevational view thereof showing the zippered face-to-face attachment of the pair of carrying bag segments;

FIG. 3 is a rear elevational view thereof;

FIG. 4 is a right side elevational view thereof also showing the zippered face-to-face attachment of the pair of carrying bag segments;

FIG. 5 is a top plan view thereof;

FIG. 6 is a bottom plan view thereof;

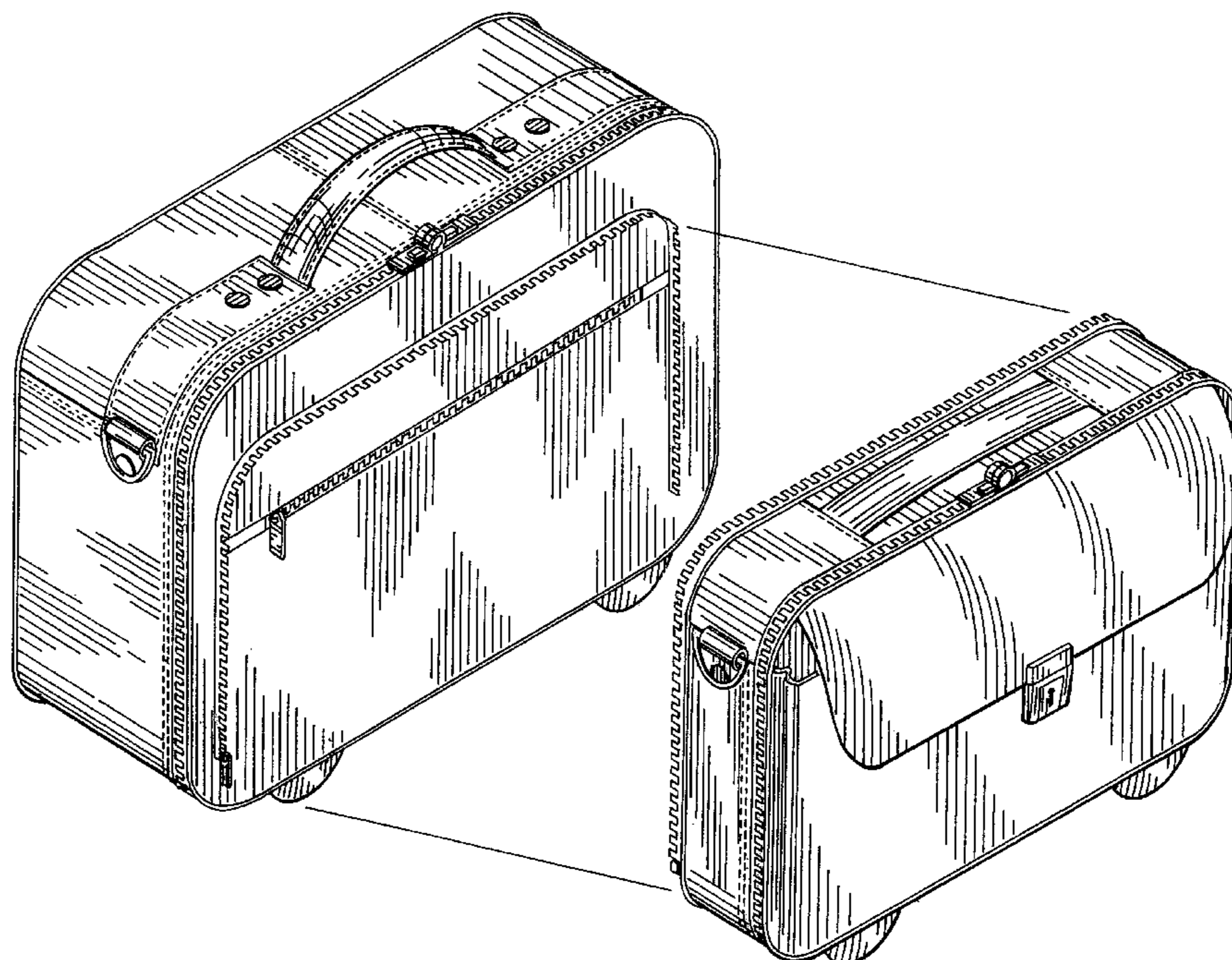
FIG. 7 is a front elevational view showing the front face of one of the pair of carrying bag segments unzipped and detached from the second of the pair of carrying bag segments;

FIG. 8 is a rear elevational view showing the rear face of the second of the pair of carrying bag segments unzipped and detached from the first of the pair of carrying bag segments;

FIG. 9 is an exploded view thereof showing the tops of the pair of carrying bag segments unzipped and detached from one another; and,

FIG. 10 is an exploded perspective view thereof showing the tops, left sides and fronts of the pair of carrying bag segments unzipped and detached from one another.

1 Claim, 6 Drawing Sheets



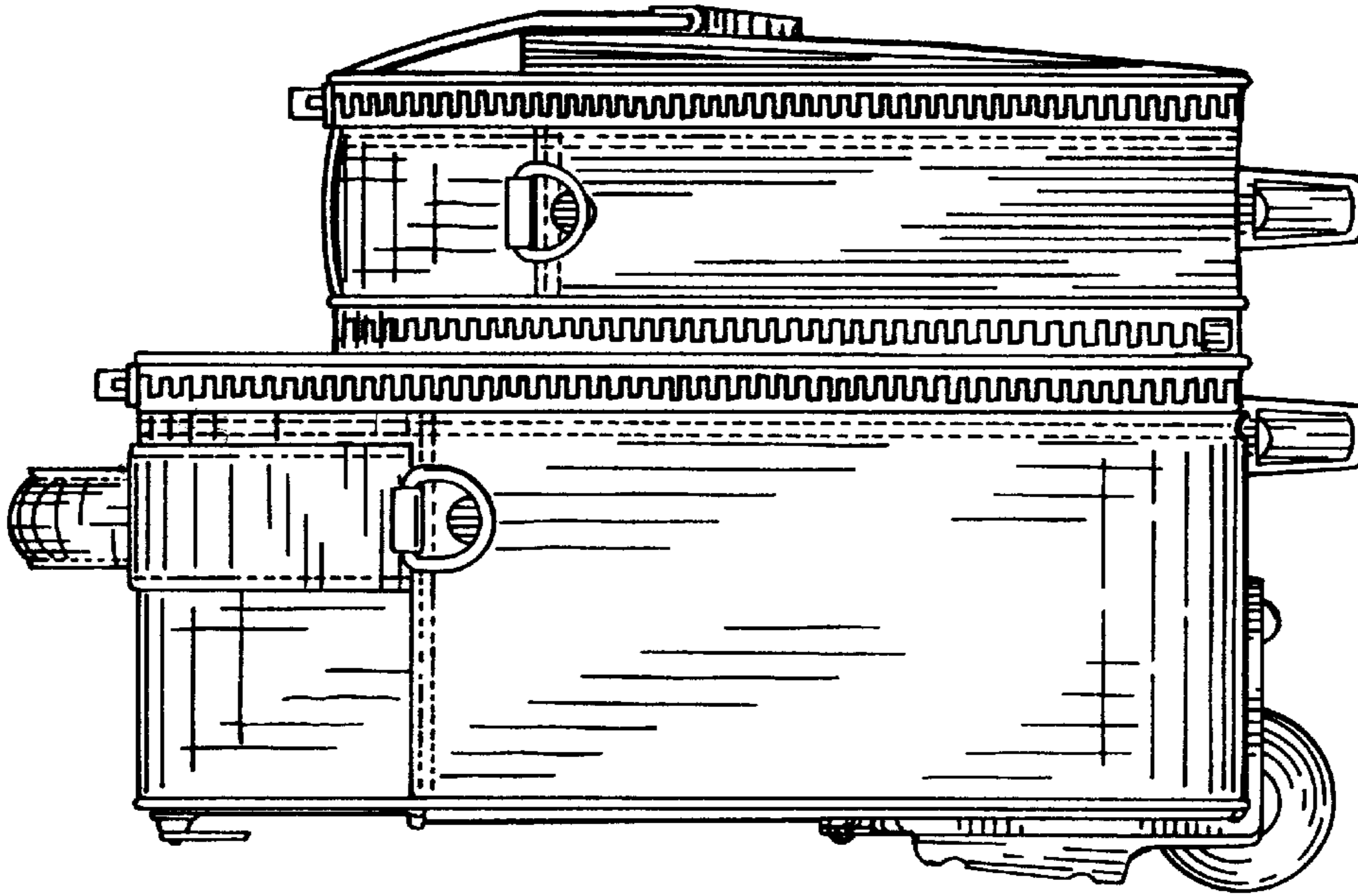


FIG. 2

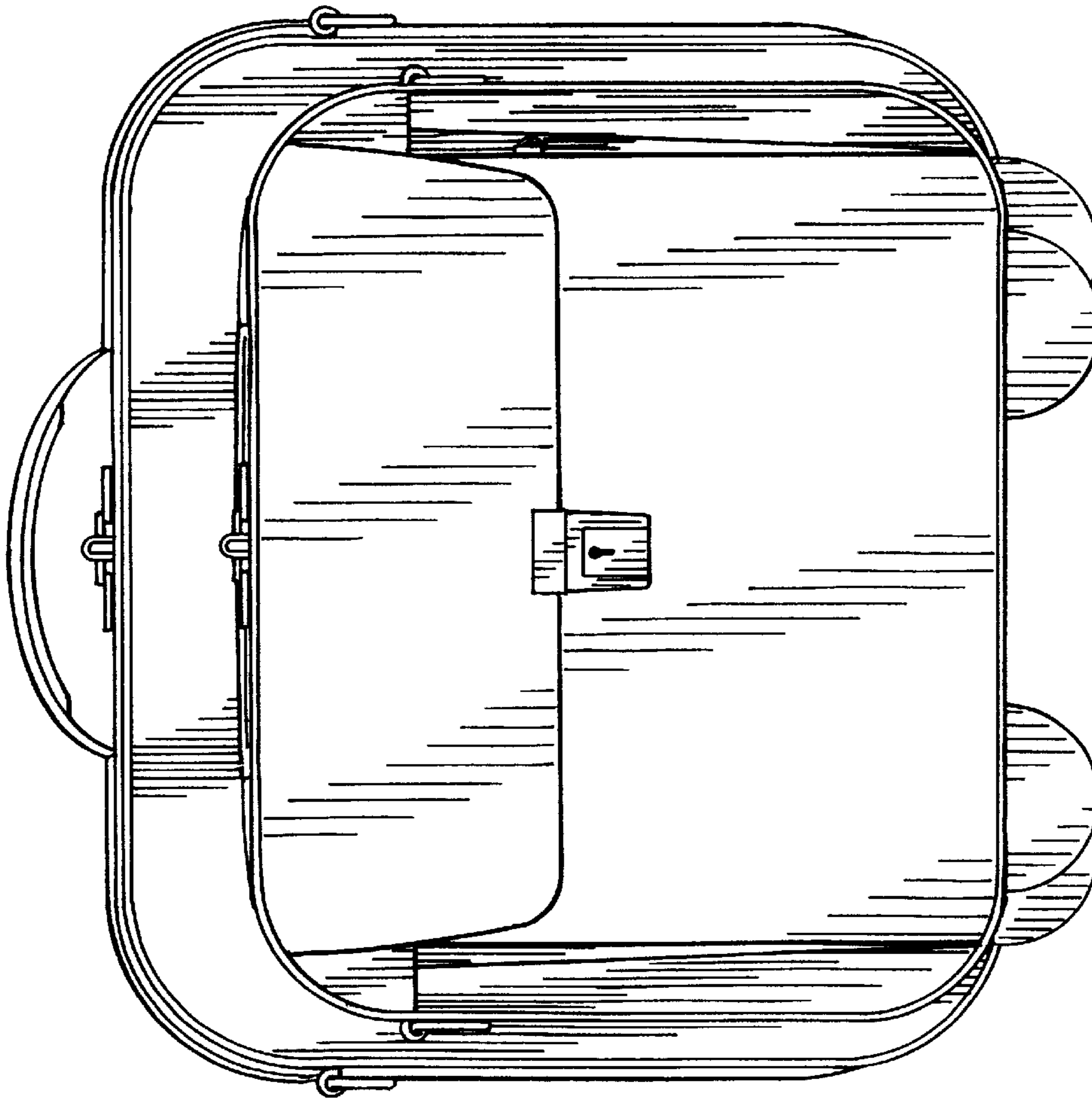


FIG. 1

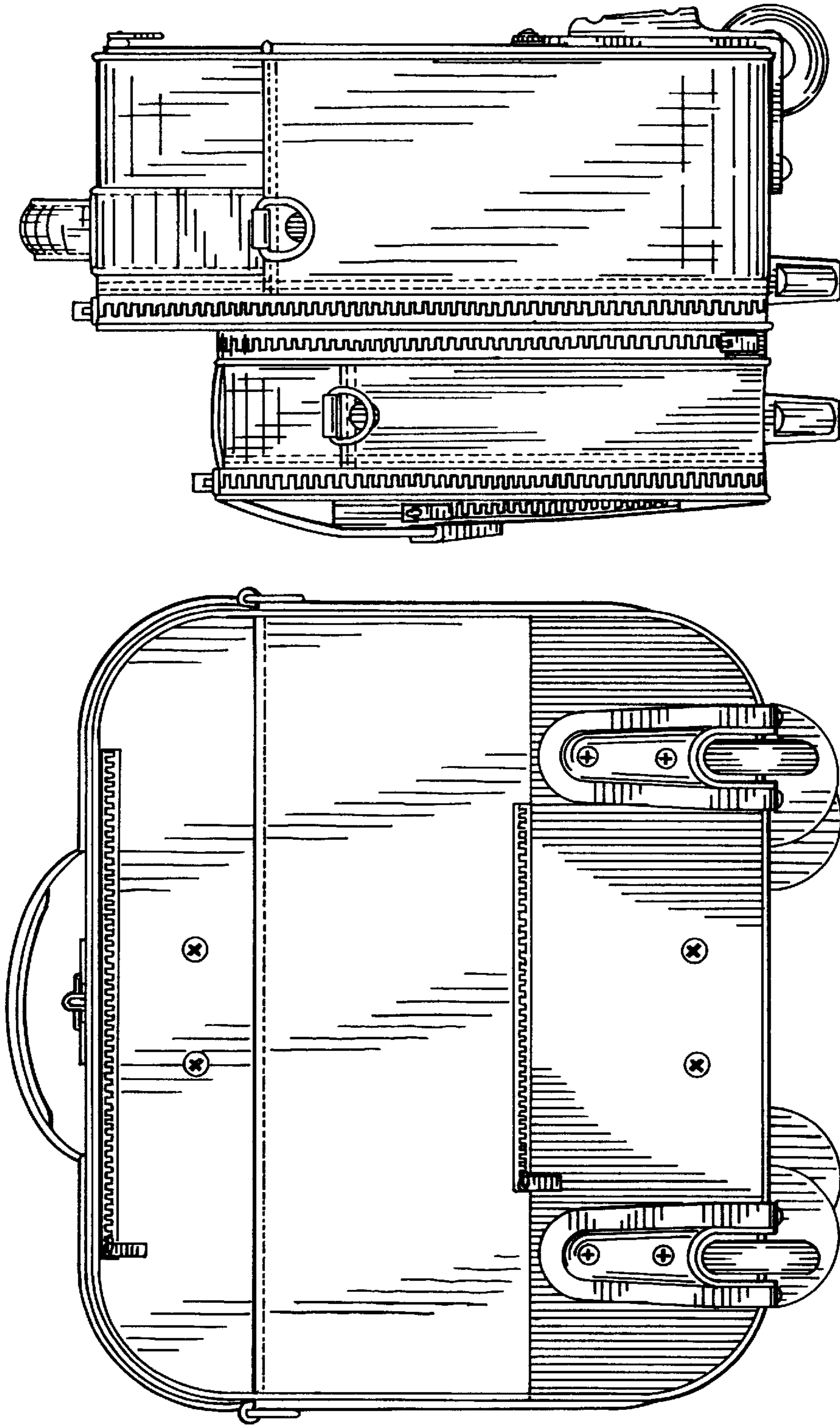


FIG. 4

FIG. 3

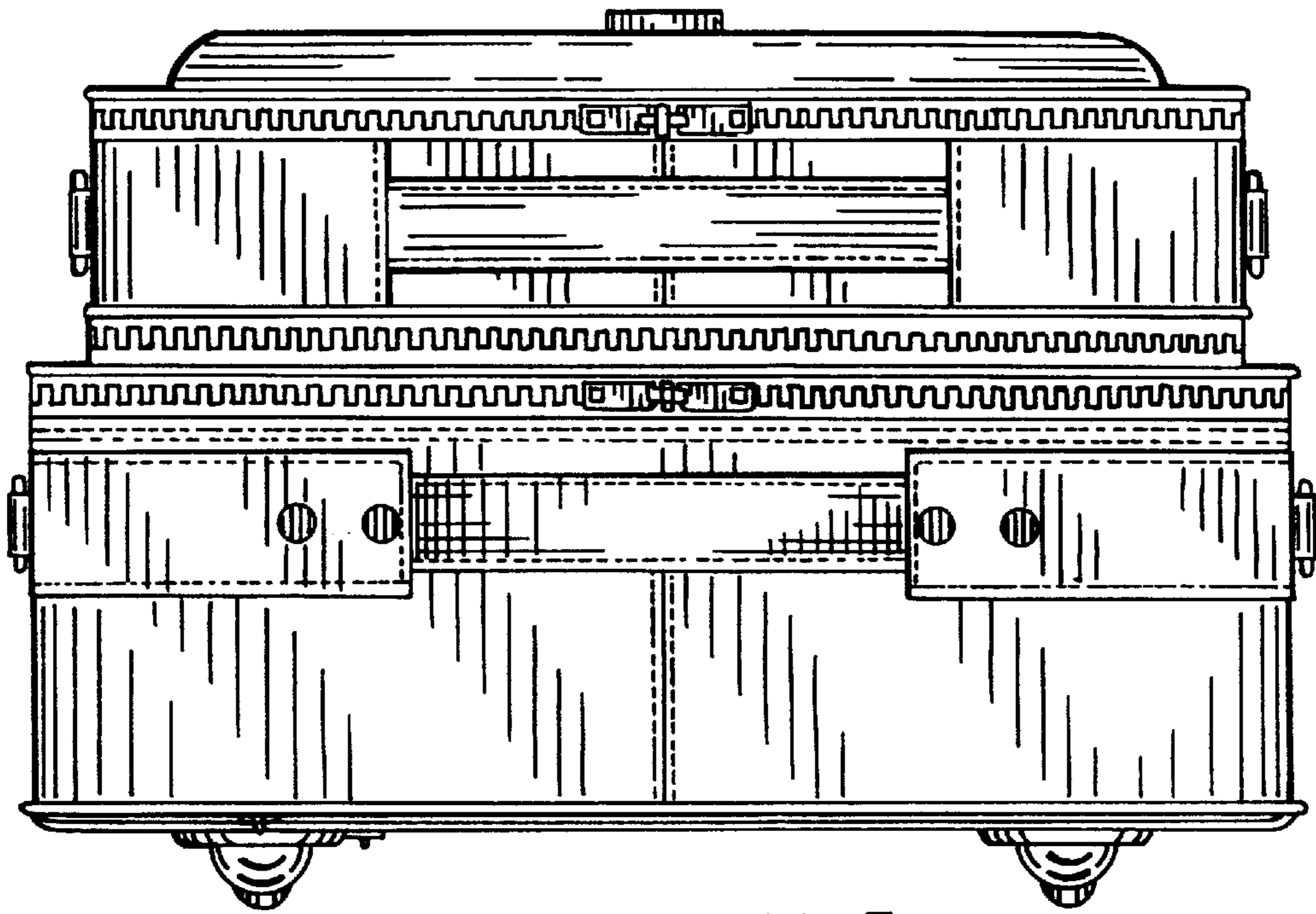


FIG. 5

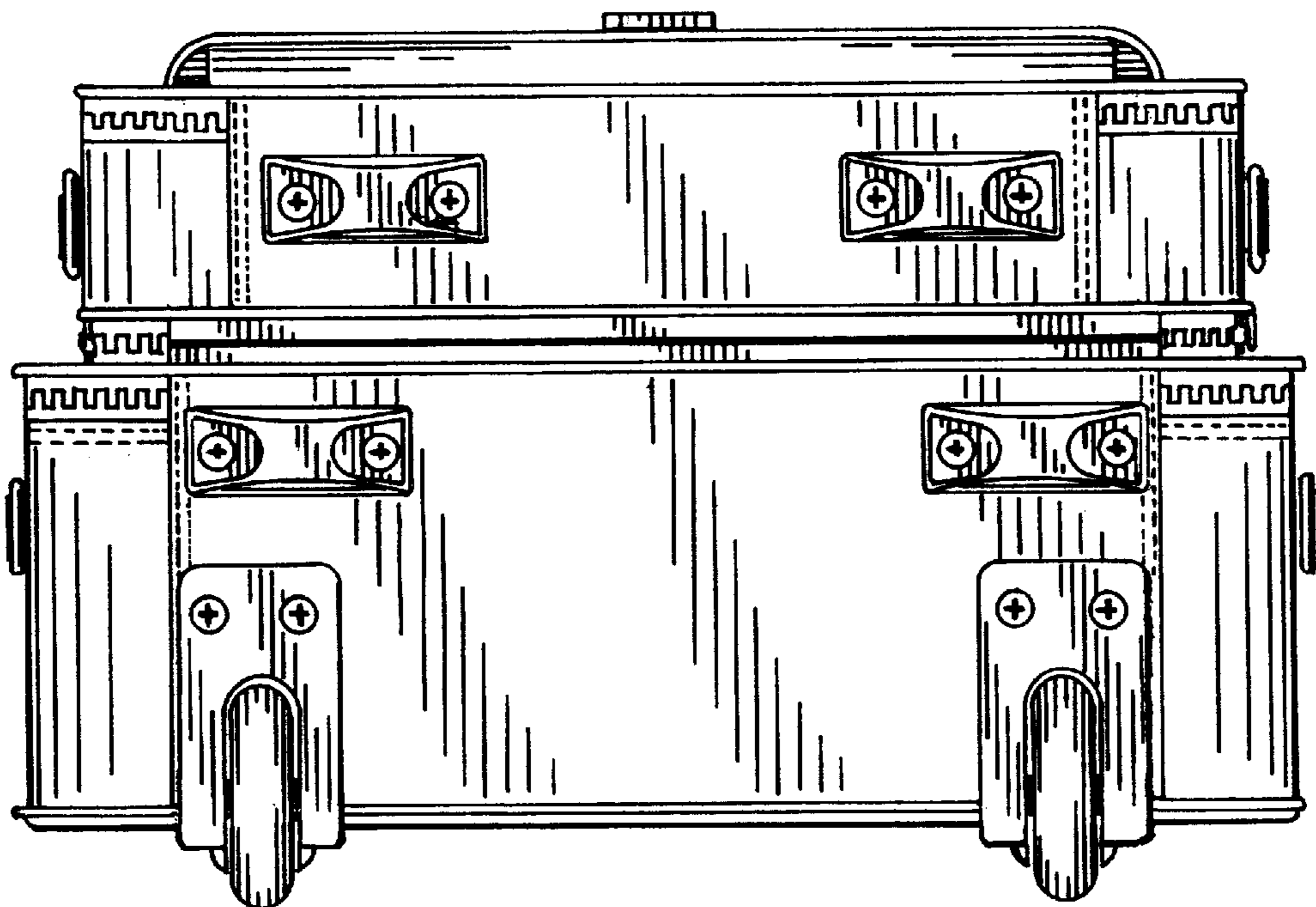


FIG. 6

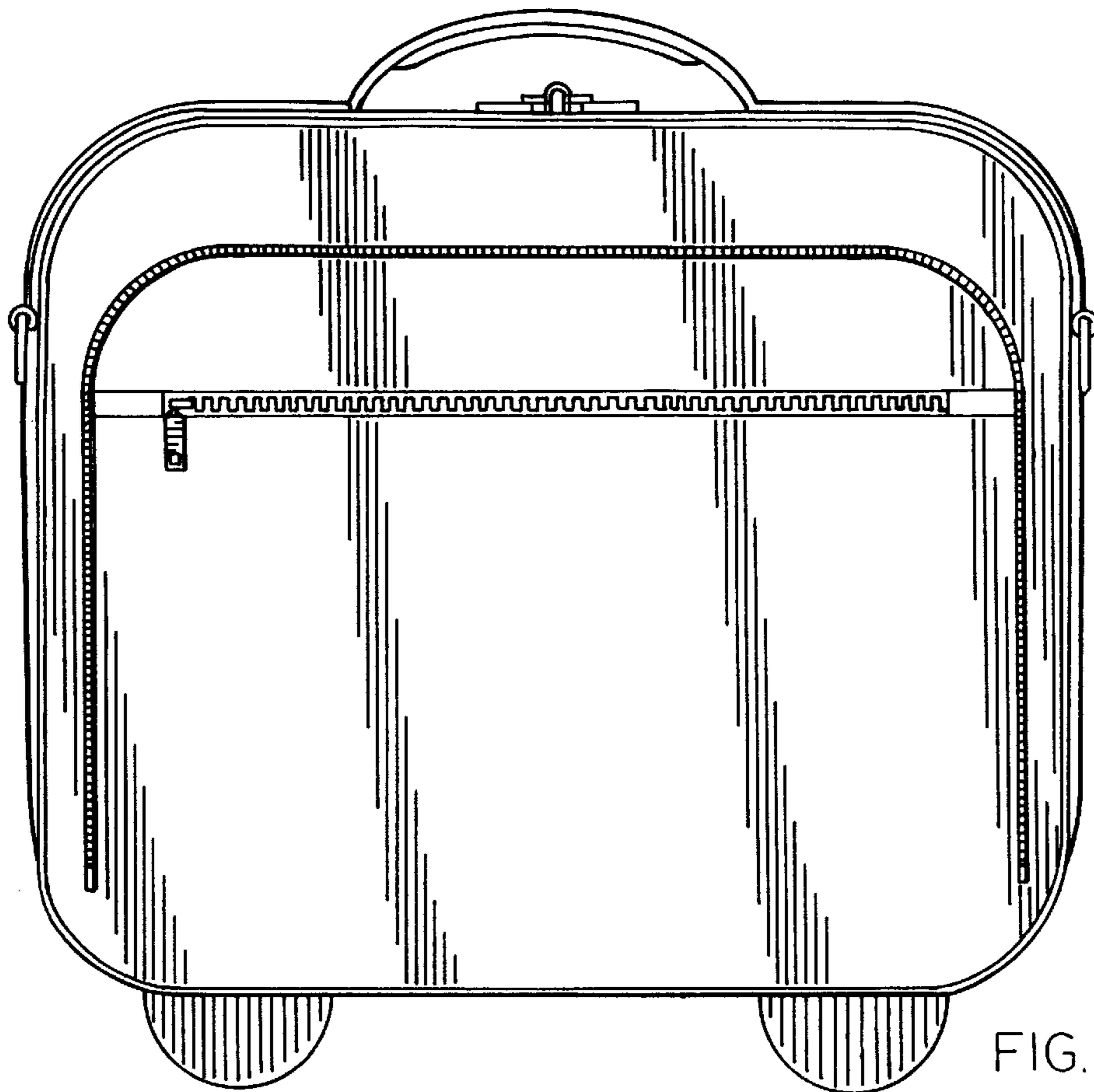


FIG. 7

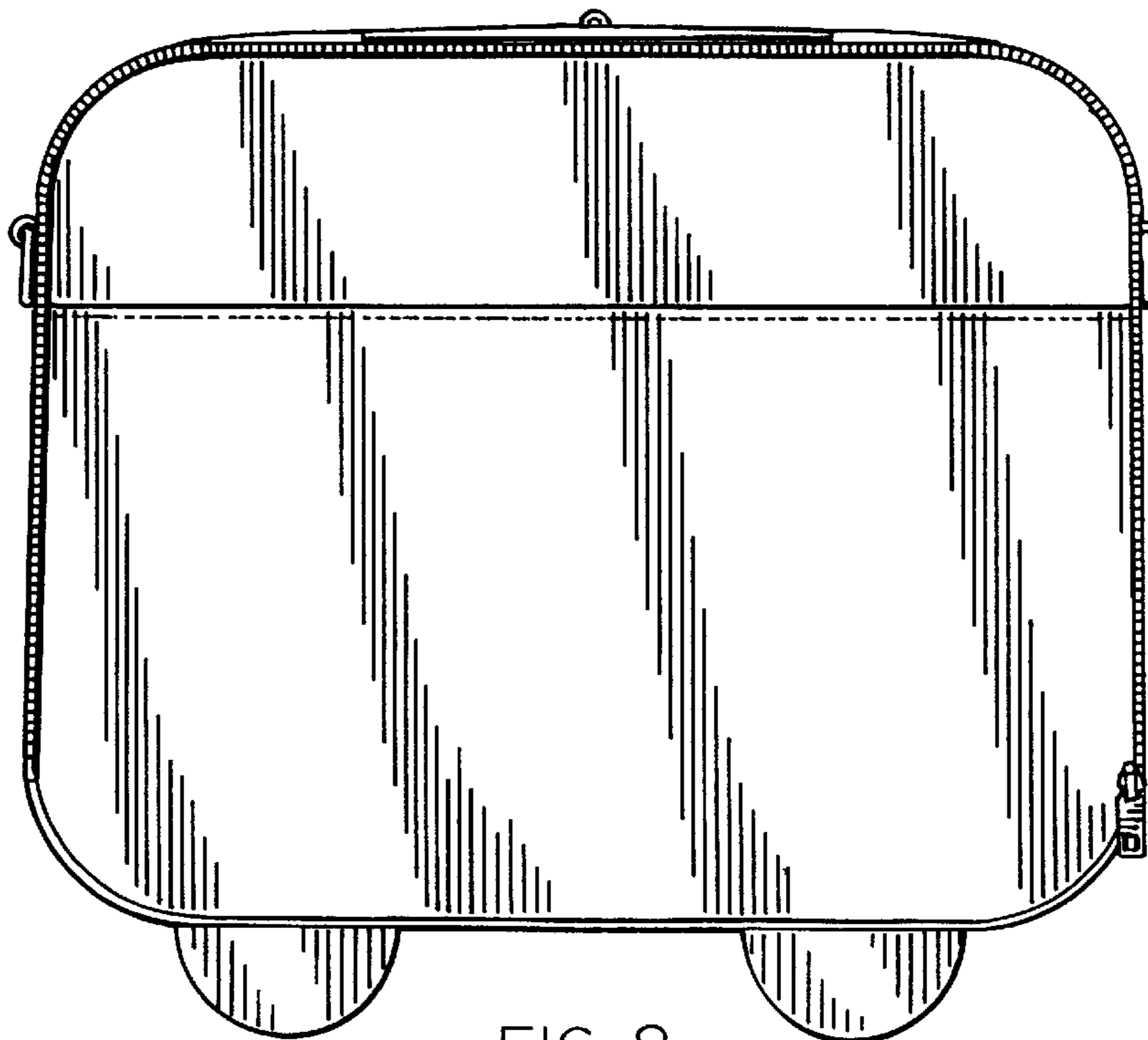


FIG. 8

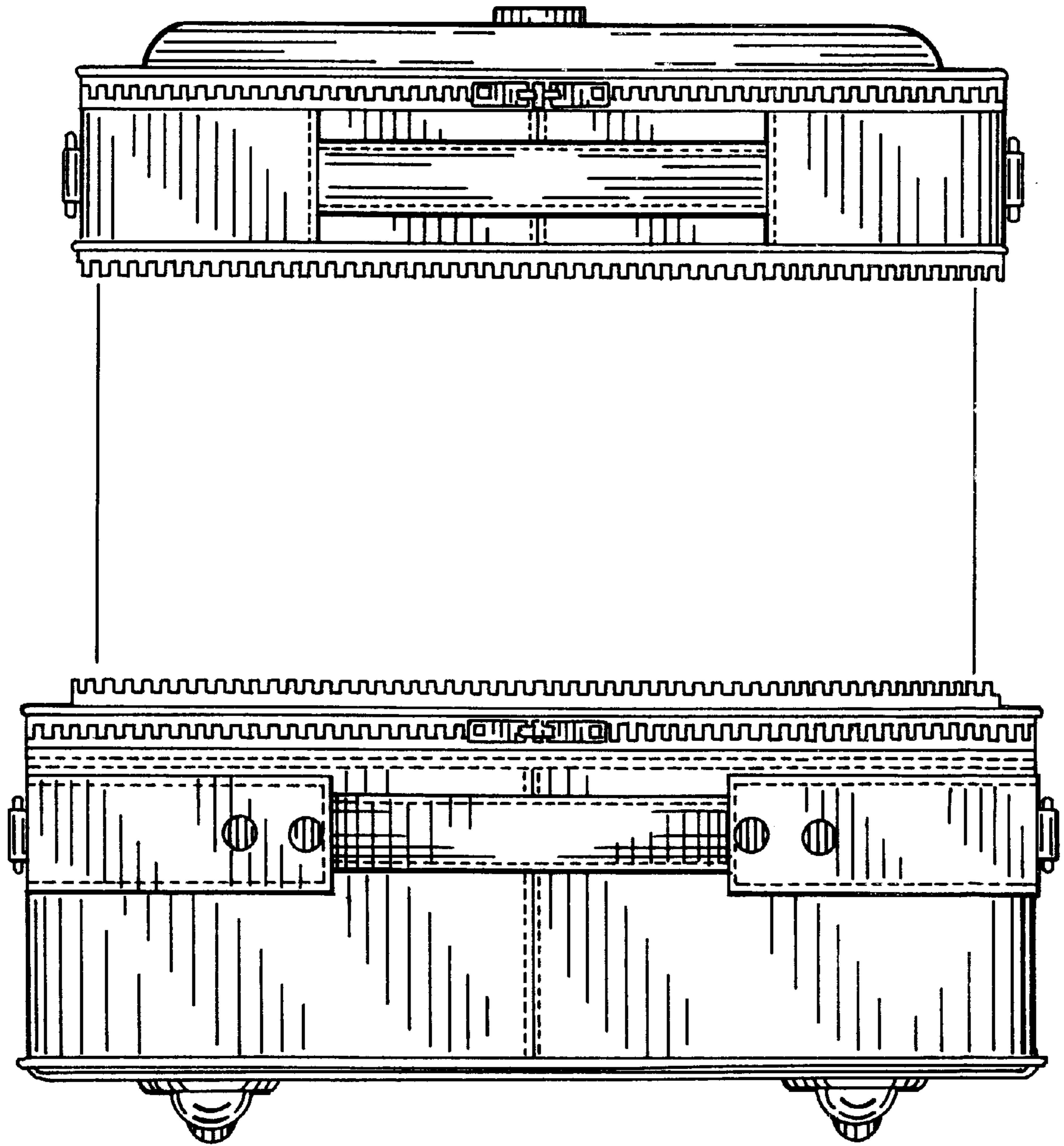


FIG. 9

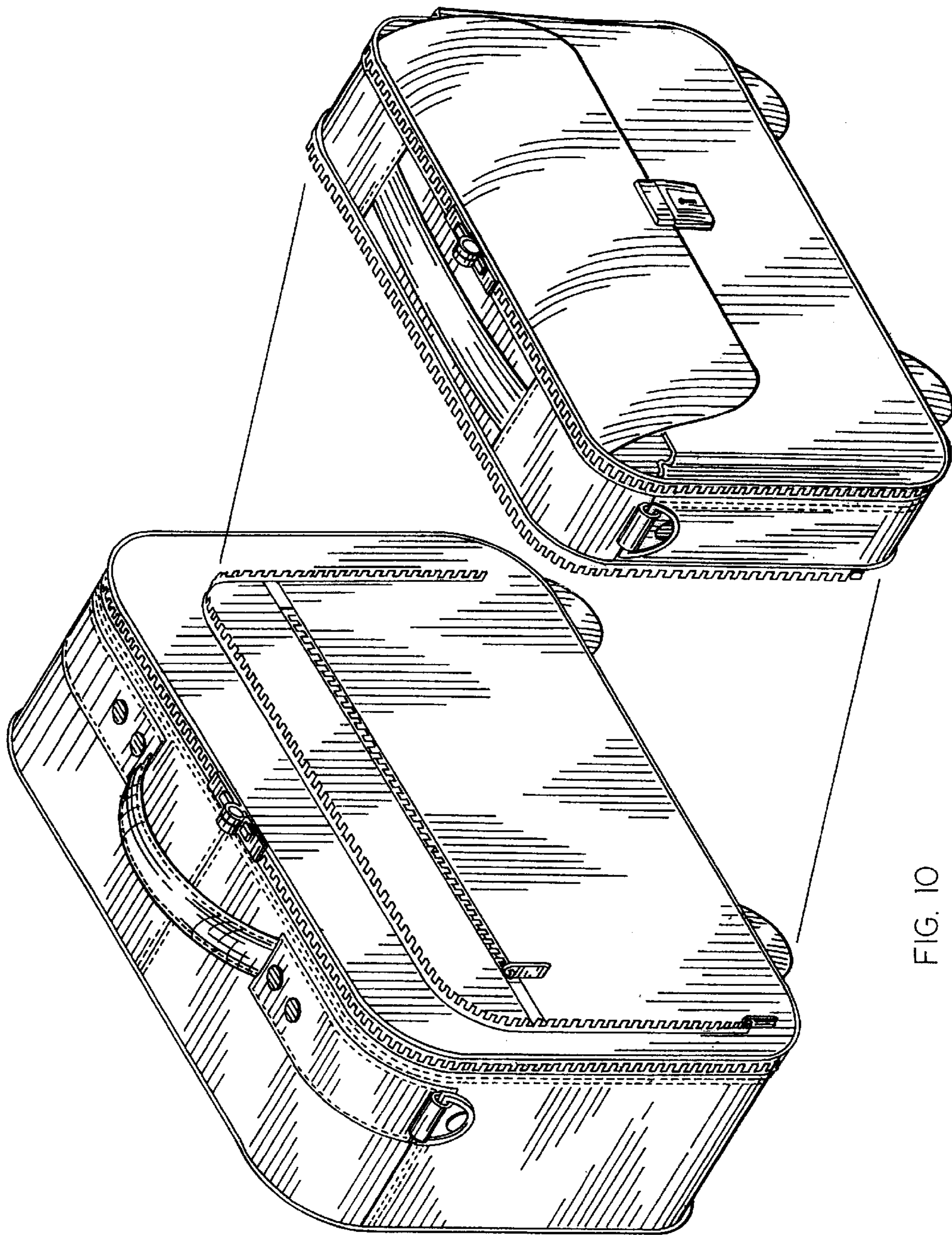


FIG. 10