



US00D472379S

(12) **United States Design Patent**
Hillman

(10) **Patent No.: US D472,379 S**

(45) **Date of Patent: ** Apr. 1, 2003**

(54) **CARRYING CASE FOR A CAMCORDER AND ACCESSORIES**

6,234,677 B1 * 5/2001 Mogil 383/110
D460,256 S 7/2002 Hillman D3/219
D460,615 S 7/2002 Hillman D3/219

(75) Inventor: **Jack L. Hillman**, Colorado Springs, CO (US)

OTHER PUBLICATIONS

(73) Assignee: **Case Logic, Inc.**, Longmont, CO (US)

U.S. patent application Ser No. 29/159,382, Hasset, filed Apr. 17, 2002.

(**) Term: **14 Years**

U.S. patent application Ser No. 29/157,486, Hasset, filed Mar. 19, 2002.

(21) Appl. No.: **29/159,137**

U.S. patent application Ser No. 29/161103, Hillman, filed May 21, 2002.

(22) Filed: **Apr. 15, 2002**

U.S. patent application Ser No. 29/159181, Hillman, filed Apr. 15, 2002.

(51) **LOC (7) Cl. 03-01**

Case Logic 2002 Product Catalog, "What's Inside Survives", pp. 30 and 31.

(52) **U.S. Cl. D3/267; D3/263; D3/268; D3/273**

(List continued on next page.)

(58) **Field of Search** D3/208, 215, 219, D3/225, 226, 243, 263, 267, 268, 273, 276, 283, 285, 287, 289, 290, 301; D7/607; D24/111; 206/316.1, 316.2; 224/583, 612, 908

Primary Examiner—Celia Murphy

(74) *Attorney, Agent, or Firm*—Sheridan Ross P.C.

(56) **References Cited**

(57) **CLAIM**

The ornamental design for a carrying case for a camcorder and accessories, as shown and described.

U.S. PATENT DOCUMENTS

DESCRIPTION

- 2,691,401 A * 10/1954 Kontoff
- 2,827,096 A * 3/1958 Hinson
- 2,960,137 A * 11/1960 Lipsitz
- 3,001,566 A * 9/1961 Lipsitz
- D194,140 S * 11/1962 Weintraub
- D249,824 S * 10/1978 Koszegi D3/268
- 4,403,638 A * 9/1983 Baum 206/316.2
- D273,533 S * 4/1984 Weinreb D3/268
- D291,149 S * 8/1987 Smith D3/287
- D305,796 S * 1/1990 Say D24/111
- 4,917,160 A * 4/1990 Hart et al.
- D312,530 S * 12/1990 Gallen et al. D3/268
- 4,976,352 A * 12/1990 Nordstrom 206/316.2
- 5,201,867 A * 4/1993 Morszeck 206/316.2
- D355,568 S * 2/1995 Paulin et al. D7/607
- 5,497,919 A * 3/1996 Klinger
- D371,052 S * 6/1996 Melk D7/607
- D371,724 S * 7/1996 Melk D7/607
- D378,709 S * 4/1997 Jacobs et al. D3/233
- D381,871 S * 8/1997 Melk D7/607
- D423,779 S * 5/2000 Goatcher D3/283

FIG. 1 is a front perspective view of a carrying case for a camcorder and accessories showing my new design in an open position, the broken lines depicting environment and forming no part of the claimed design;

FIG. 2 is a front elevation view of the invention illustrated in FIG. 1;

FIG. 3 is a rear elevation view of the invention illustrated in FIG. 1;

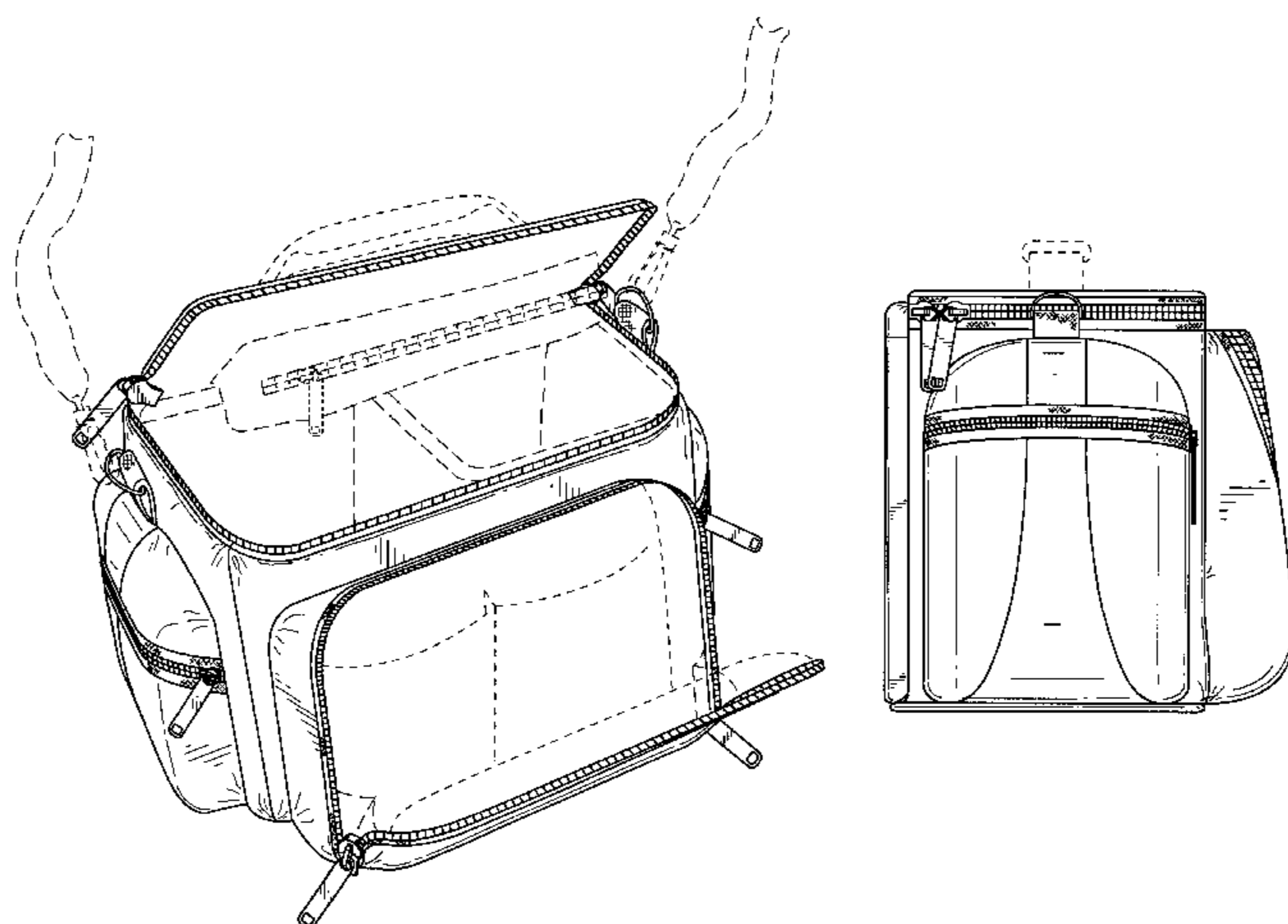
FIG. 4 is a right elevation view of the invention illustrated in FIG. 1;

FIG. 5 is left elevation view of the invention illustrated in FIG. 1;

FIG. 6 is a top plan view of the invention illustrated in FIG. 1; and,

FIG. 7 is a bottom plan view of the invention illustrated in FIG. 1.

1 Claim, 4 Drawing Sheets



OTHER PUBLICATIONS

Case Logic Spring 2000 Product Catalog, pp. 24, 25 and 28.

Case Logic 2001 Essential Equipment Product Catalog, pp. 35, 36 and 37.

Case Logic 2000 Essential Equipment Product Catalog, pp. 33, 36, and 37.

Case Logic 1999 Product Catalog, pp. 20, 21 and 22.

Case Logic Photo/Video Product Catalog "Video/Cam-corder Cases" page, undated.

Lowerpro 2000 Catalog, pp. 27, 31, 33, 41, 49 and 51.

Targus Digital Camera Product Brochure, Digital Camera and Photo Cases pages entitled "SPORT", "ADVENTURE" and "PRO-BLACK" undated.

Ambico Video Luggage & Photo Cases Catalog, pp. 2-5, undated.

Samsonite Photo Video Taschen Catalog, date unknown.

1999 CdProjects Catalog, p. 22.

Case Connect Product Brochure, pp. 10 and 11, undated.

Tamrac 20th Anniversary Catalog 1998, pp. 16, 17, 20-24, 29, 39, 45, 50, 51.

* cited by examiner

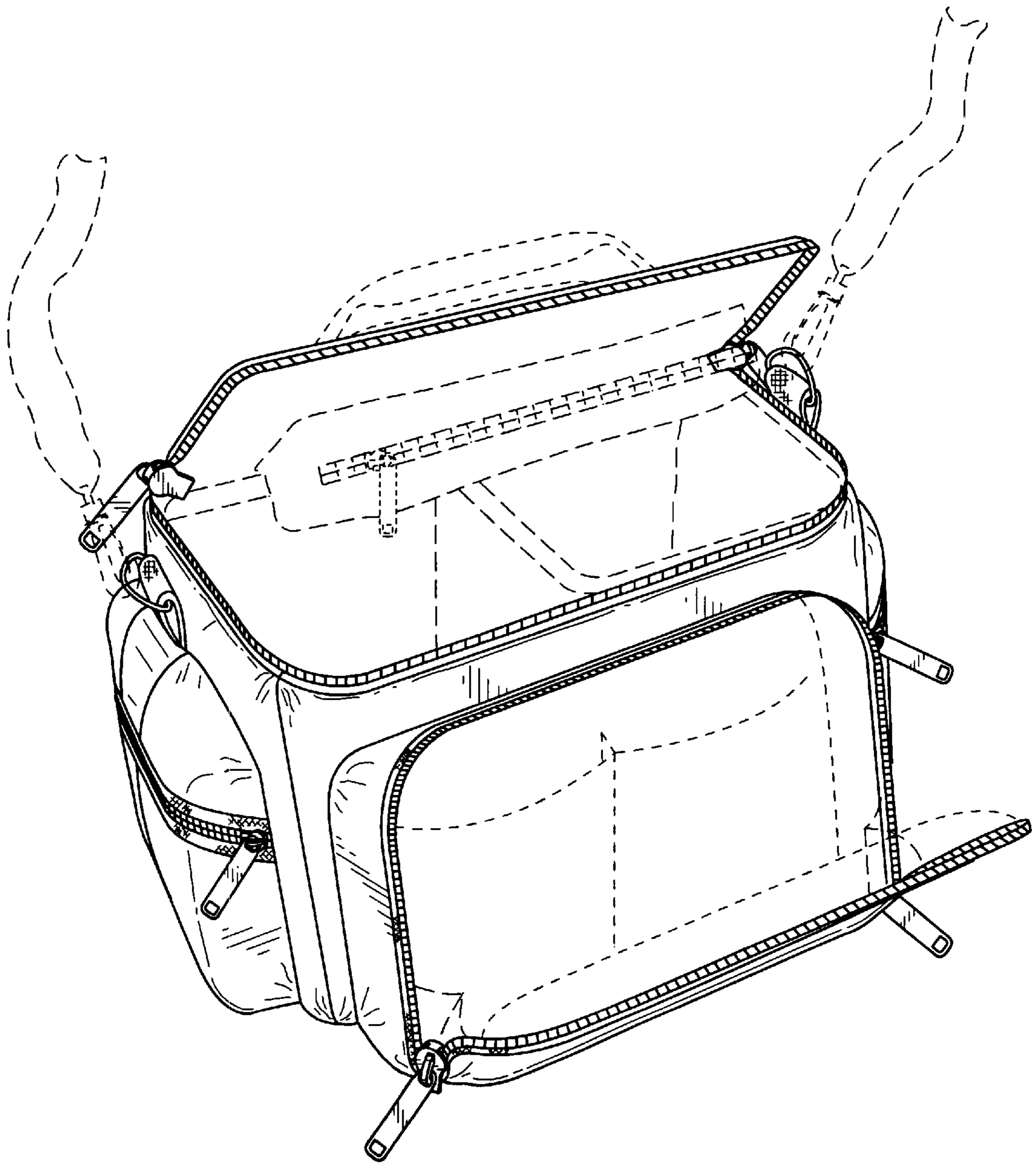


FIG.1

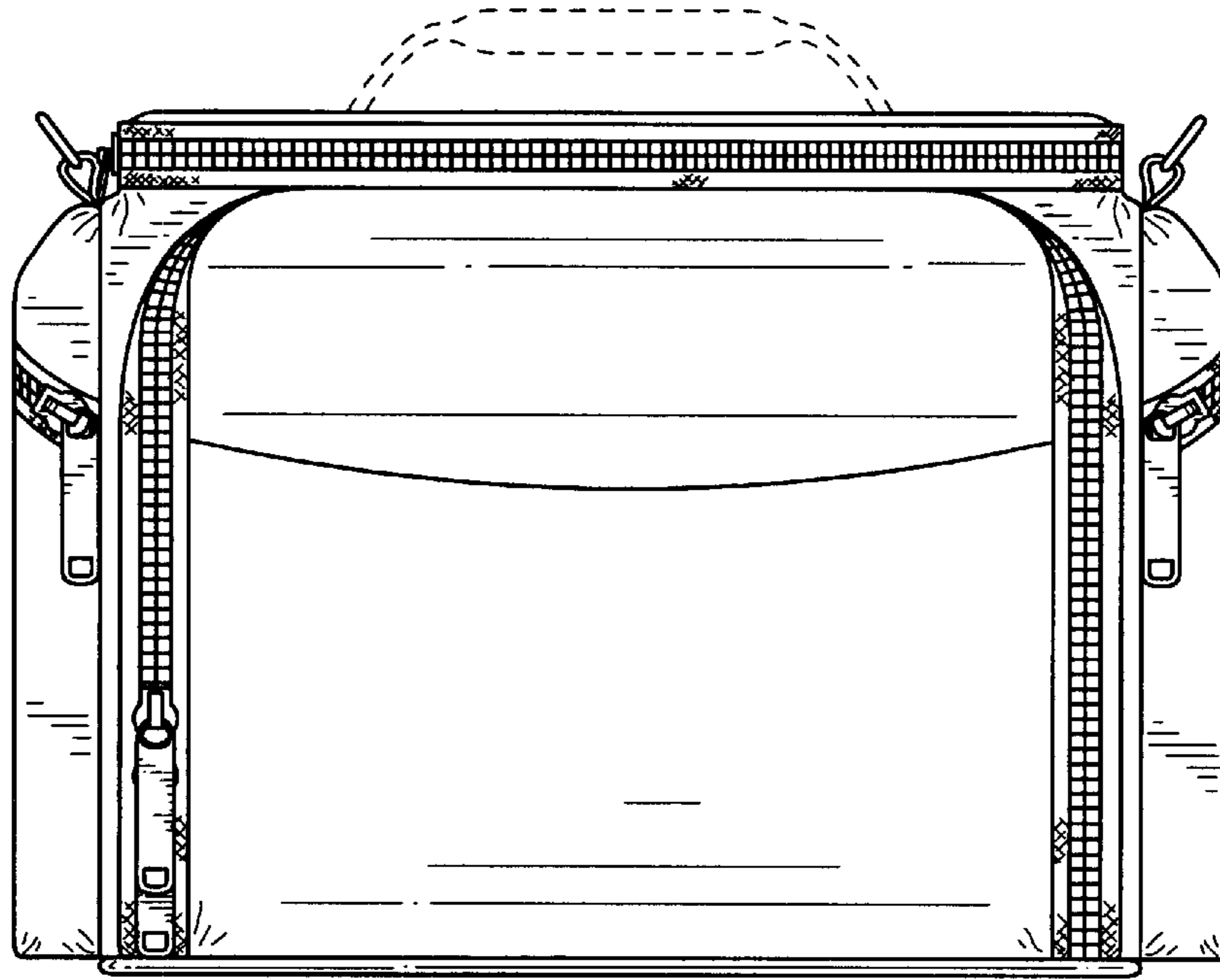


FIG. 2

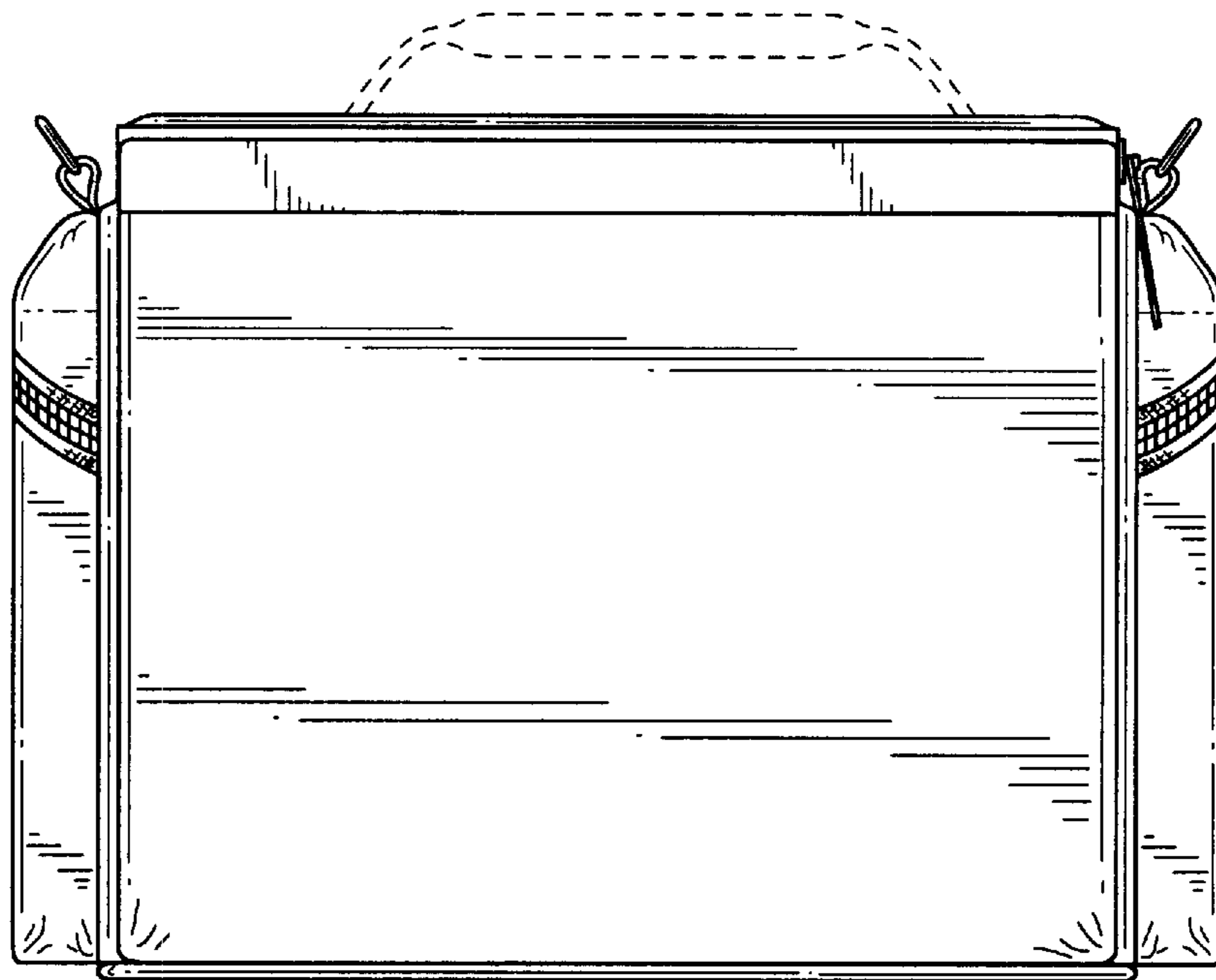


FIG. 3

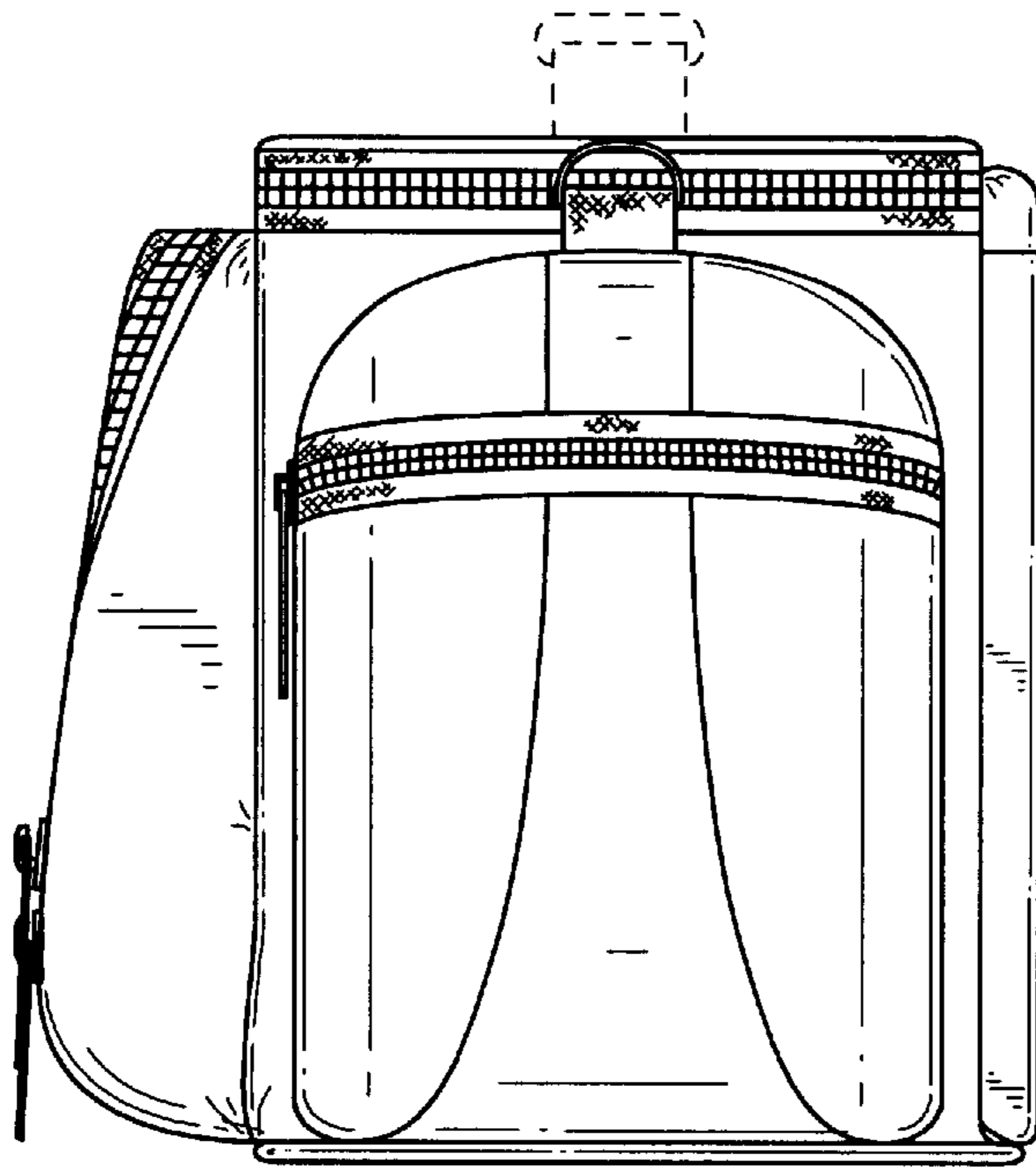


FIG. 4

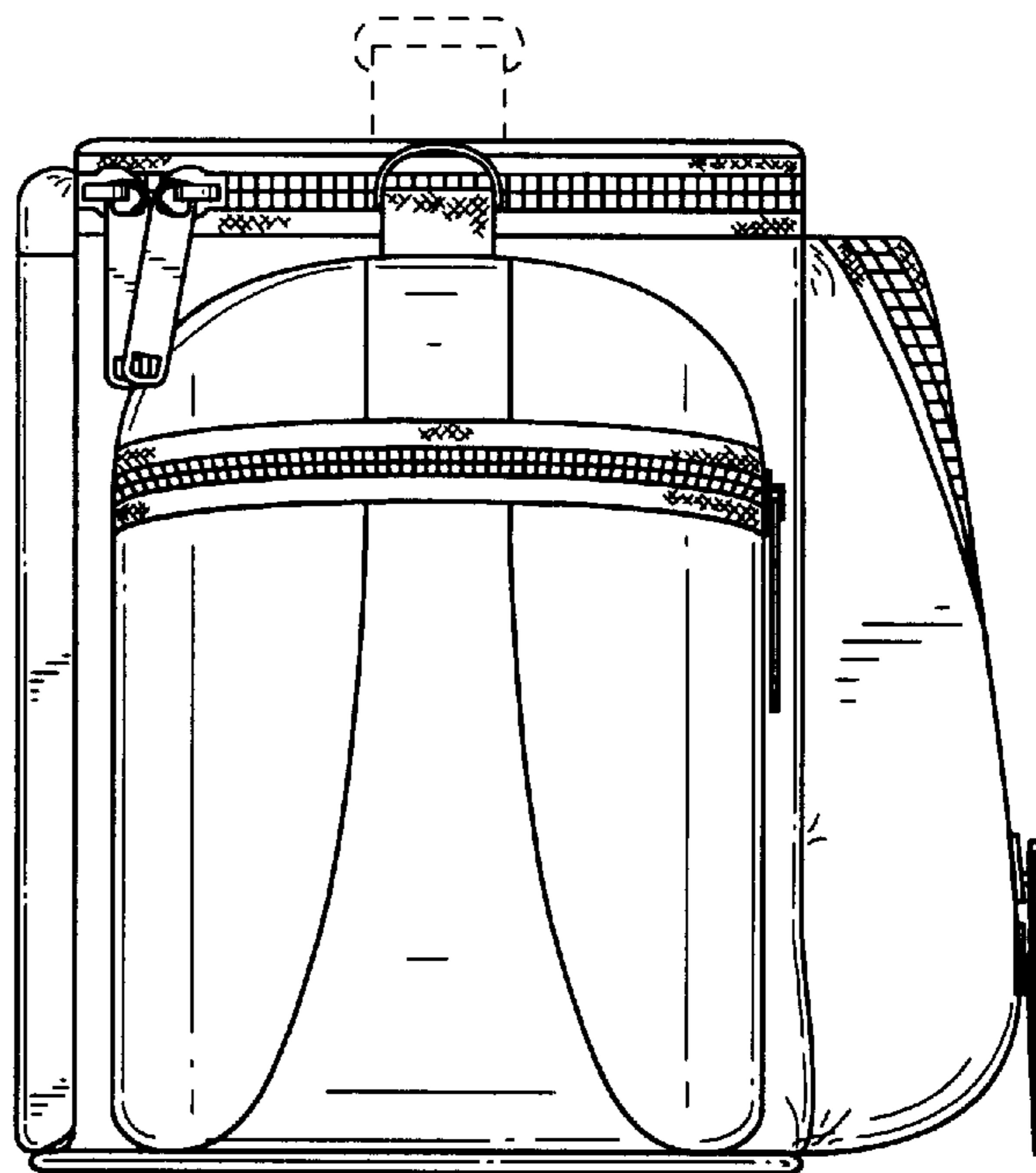


FIG. 5

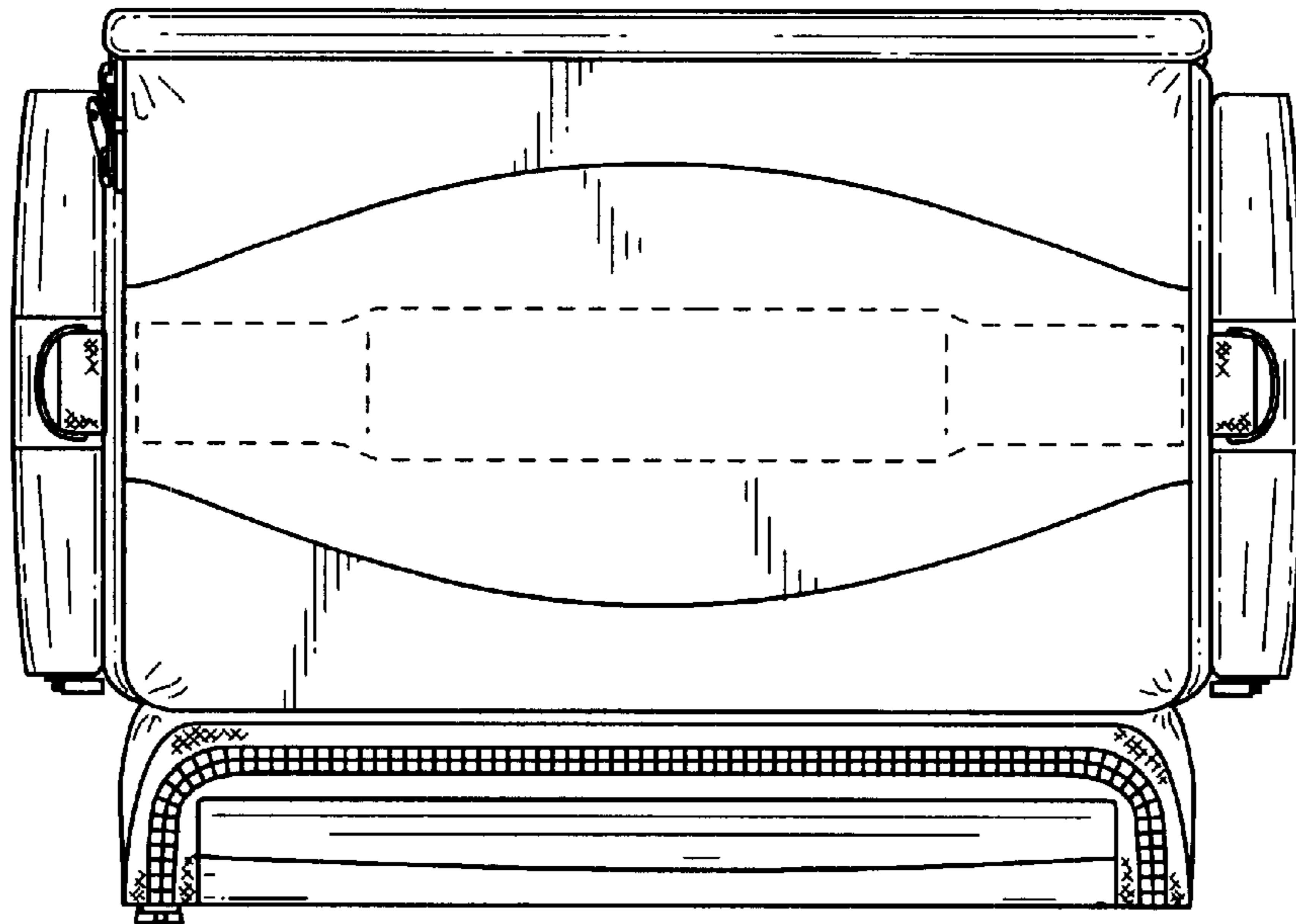


FIG. 6

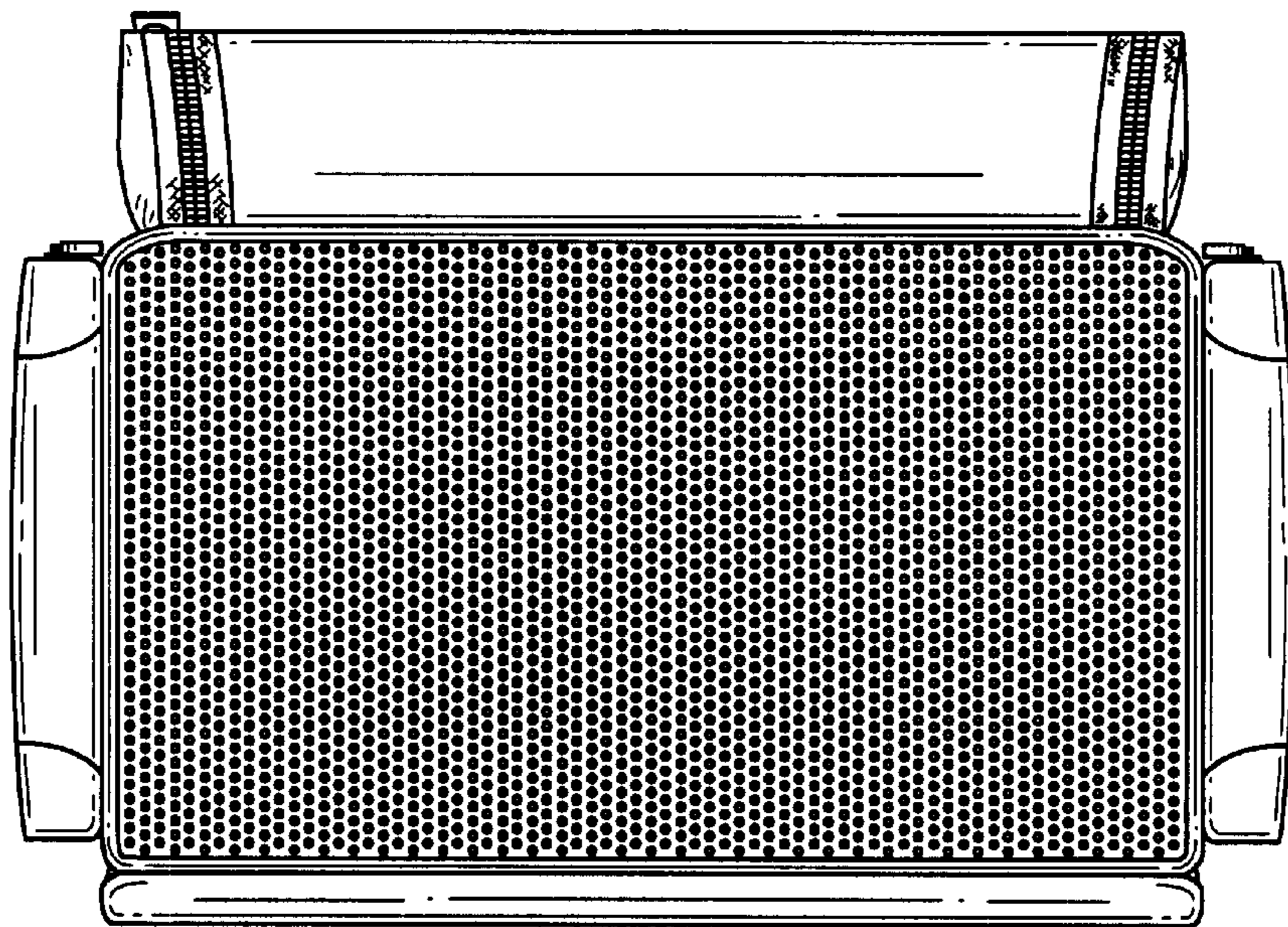


FIG. 7