



US00D472377S

(12) **United States Design Patent**
Tabacchi

(10) **Patent No.:** **US D472,377 S**

(45) **Date of Patent:** **** Apr. 1, 2003**

(54) **EYEGLASSES CASE**

(75) **Inventor:** **Vittorio Tabacchi, Pieve di Cadore (IT)**

(73) **Assignee:** **Safilo Societa' Azionaria Fabbrica Italiana Lavorazione Occhiali S.p.A., Pieve di Cadore (IT)**

(**) **Term:** **14 Years**

(21) **Appl. No.:** **29/157,050**

(22) **Filed:** **Mar. 11, 2002**

(51) **LOC (7) Cl.** **03-01**

(52) **U.S. Cl.** **D3/265; D3/263**

(58) **Field of Search** D3/215, 219, 263, D3/264, 265, 266; D9/314, 451; D16/130; D26/138; 24/3.3, 3.11, 36; 206/5, 5.1; 211/85.1; 248/205.3, 206.2, 229.6, 231.54, 309.1, 316.7, 902

(56) **References Cited**

U.S. PATENT DOCUMENTS

- D30,307 S * 3/1899 Zoerb
- 1,473,359 A * 11/1923 Schumacher
- 2,758,707 A * 8/1956 Baratelli
- D262,585 S * 1/1982 Anema D3/205
- D334,466 S * 4/1993 Oudemans D3/265

- D349,811 S * 8/1994 Gibb D3/266
- D353,712 S * 12/1994 Aalders D3/265
- D379,263 S * 5/1997 Sussman D3/264
- D382,708 S * 8/1997 Canning D3/265
- D441,953 S * 5/2001 Ben Moshe D3/265
- D453,993 S * 3/2002 Diltoer D3/265

* cited by examiner

Primary Examiner—Celia Murphy

(74) *Attorney, Agent, or Firm*—RatnerPrestia

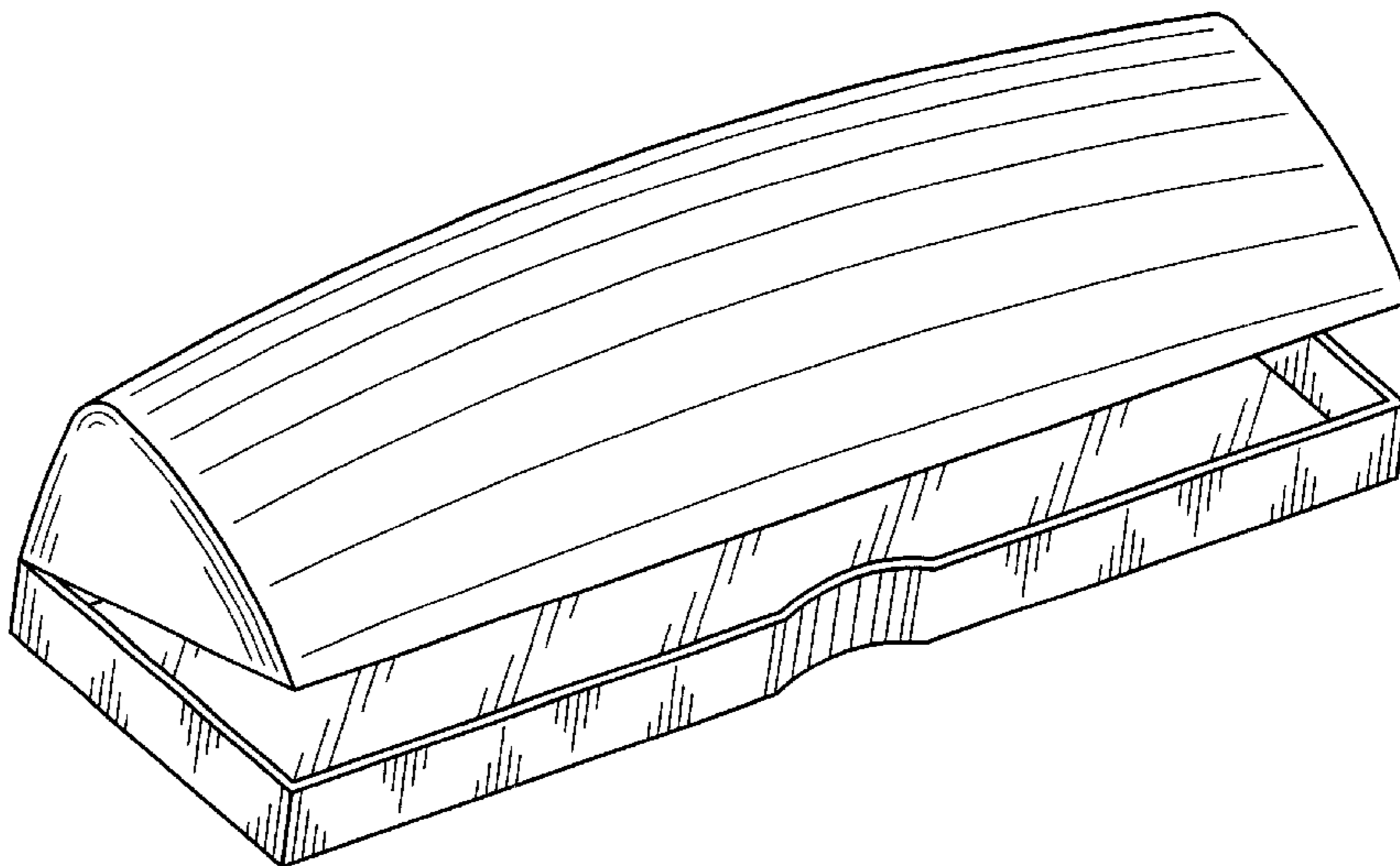
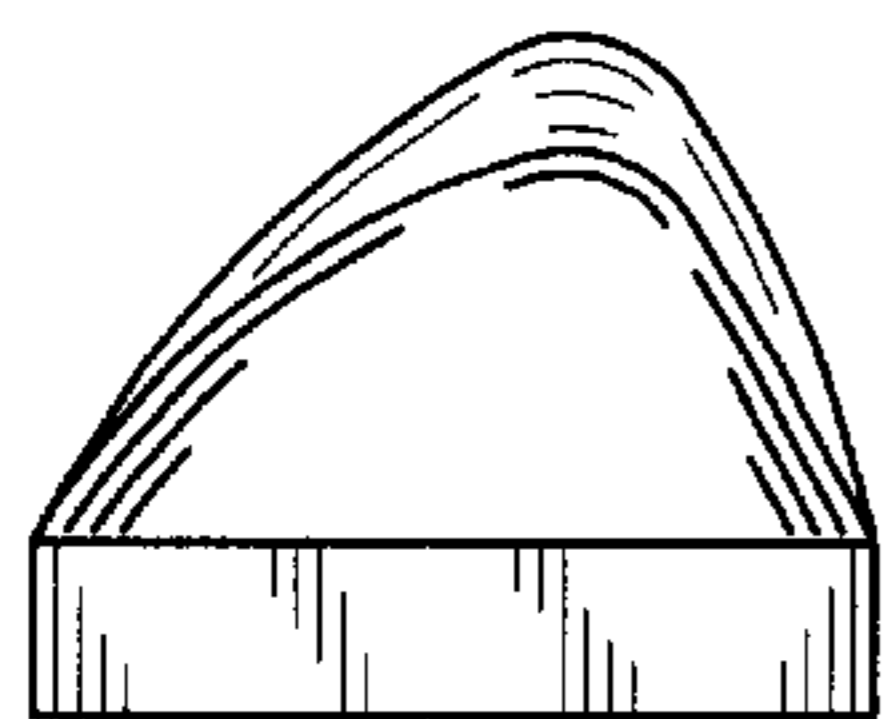
(57) **CLAIM**

The ornamental design for an eyeglasses case, as shown and described.

DESCRIPTION

FIG. 1 is a top perspective view of the design;
 FIG. 2 is a back perspective view of the design;
 FIG. 3 is a bottom perspective view of the design;
 FIG. 4 is a right side elevational view thereof;
 FIG. 5 is a left side elevational view thereof;
 FIG. 6 is a front elevation view of the design;
 FIG. 7 is a back elevation view of the design;
 FIG. 8 is a top plan view of the design;
 FIG. 9 is a bottom plan view of the design; and,
 FIG. 10 is a top perspective view of the design with the case partially opened.

1 Claim, 8 Drawing Sheets



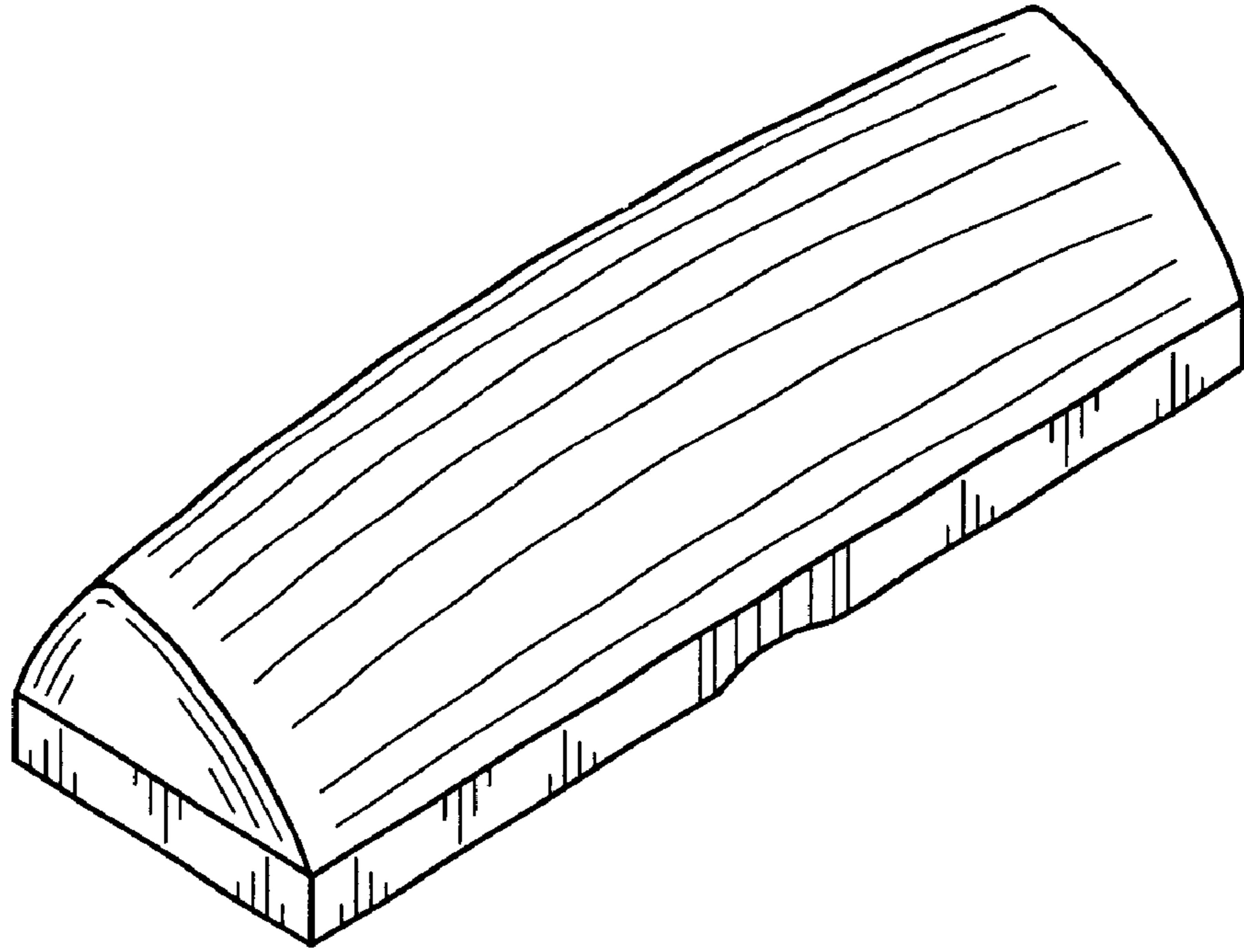


FIG. 1

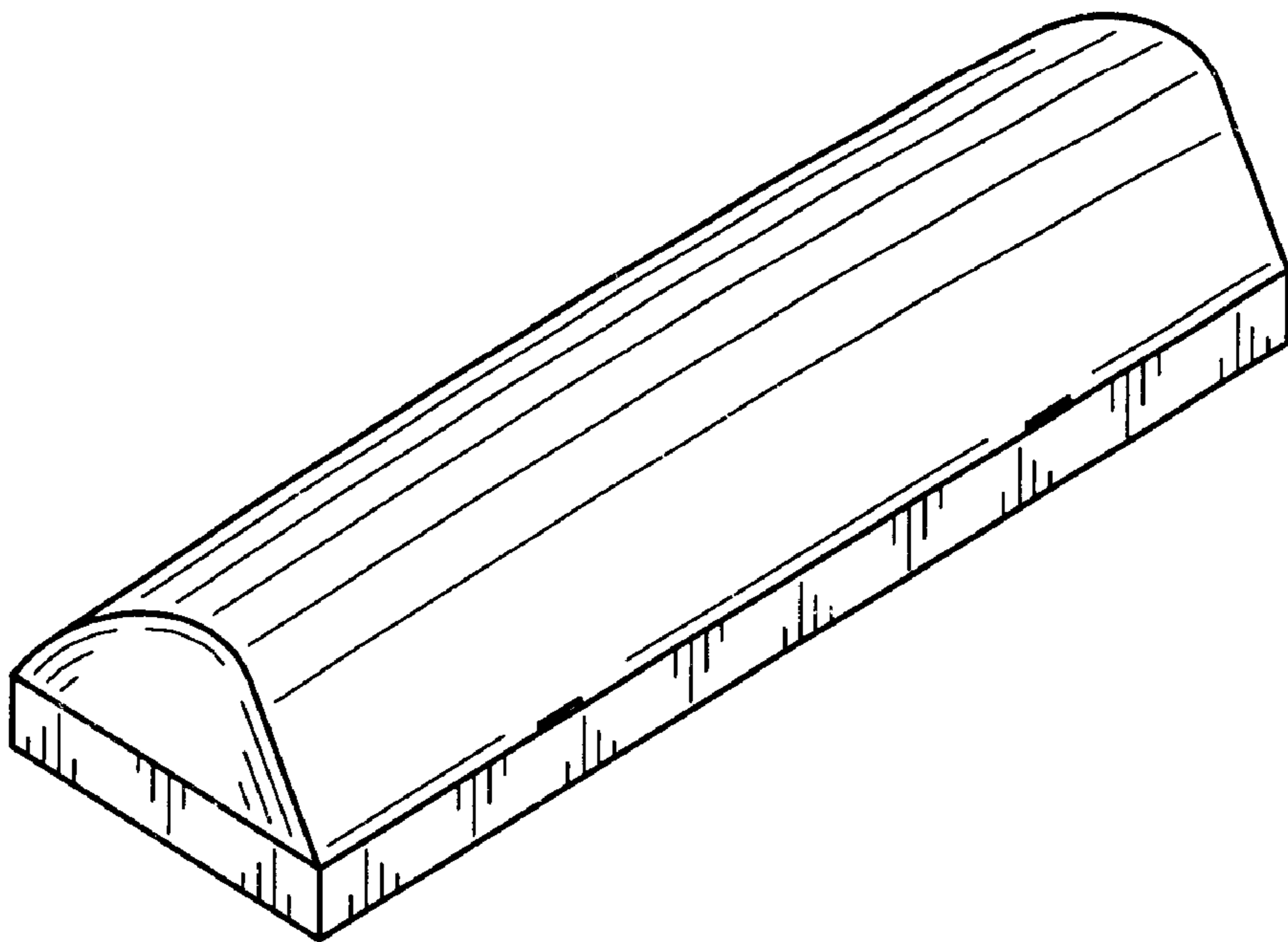


FIG. 2

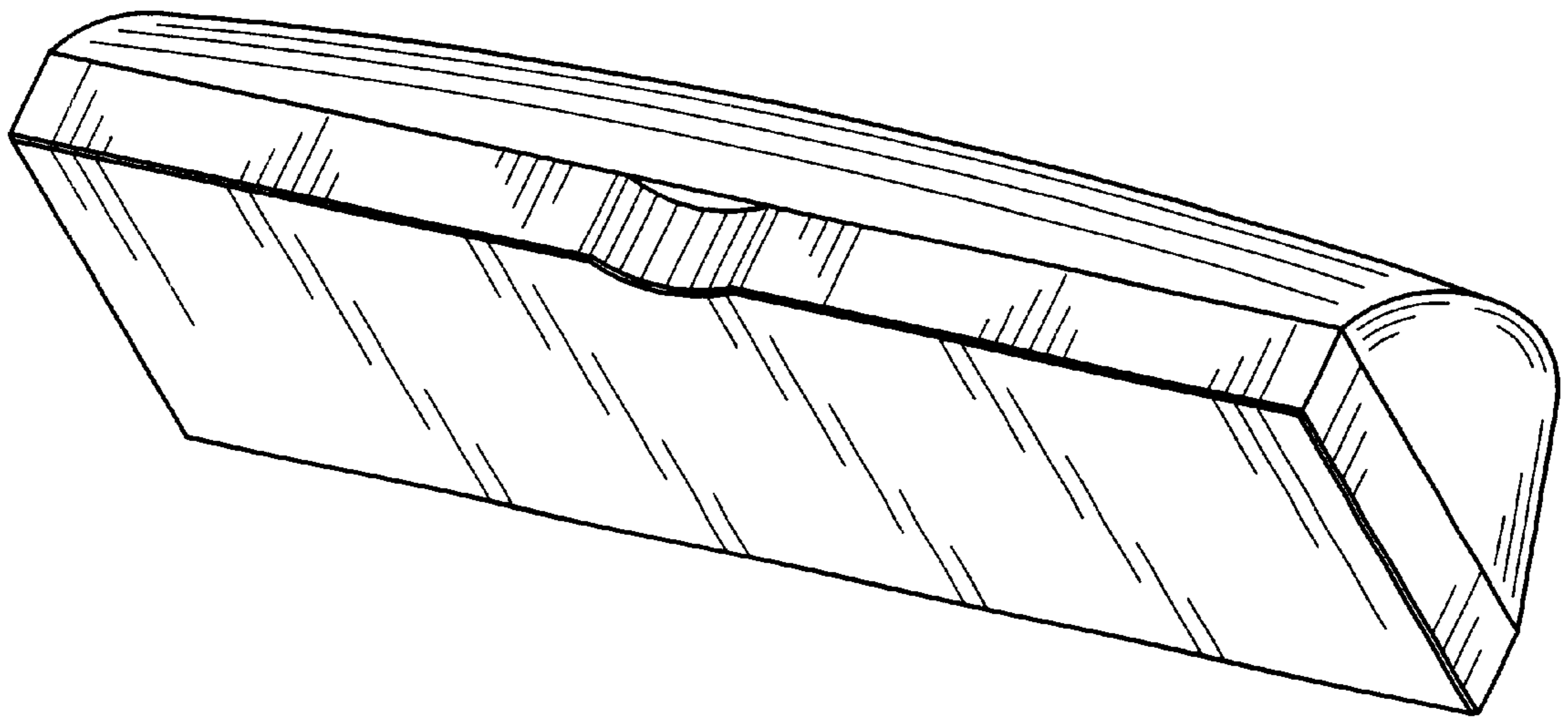


FIG. 3

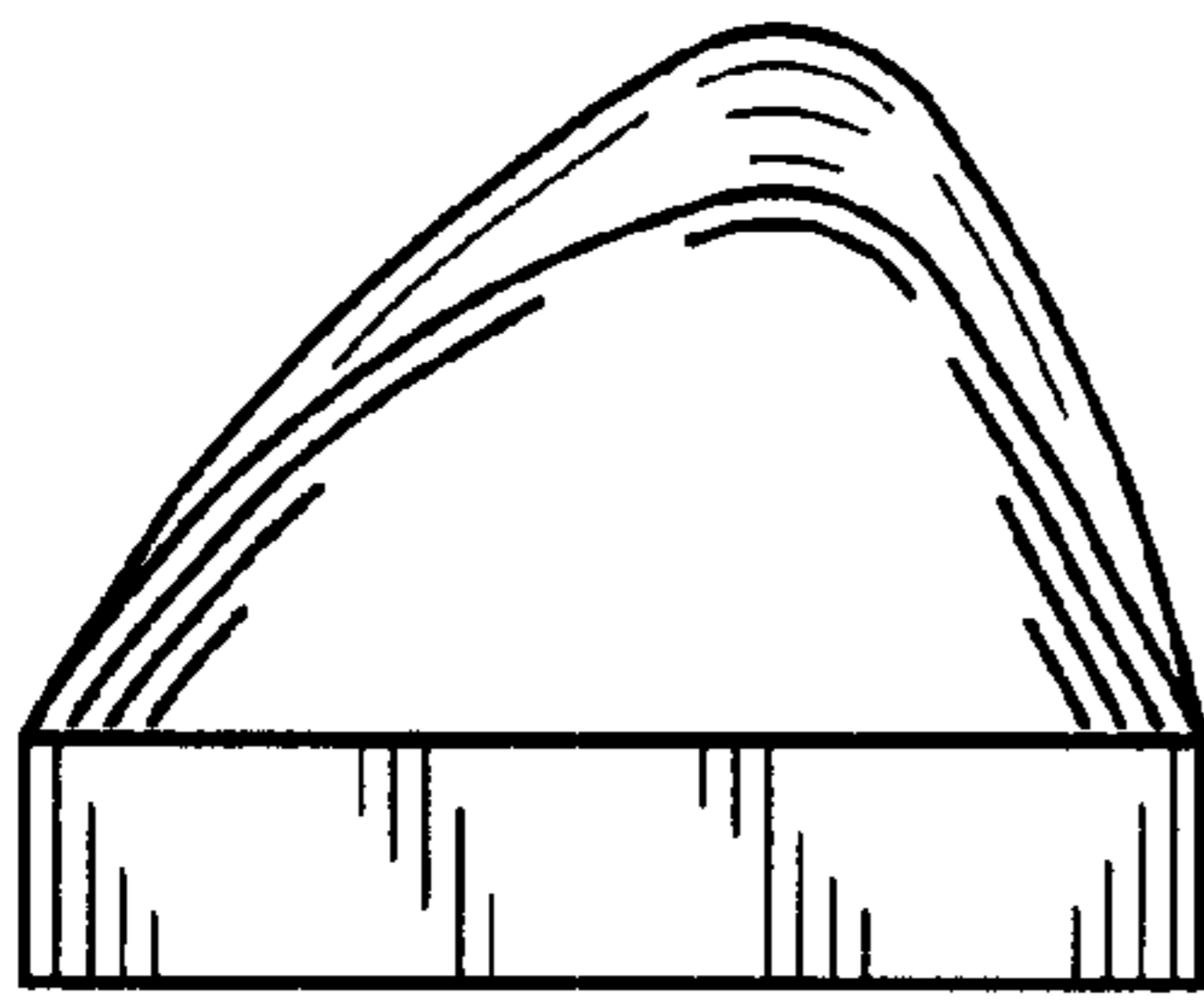


FIG. 4

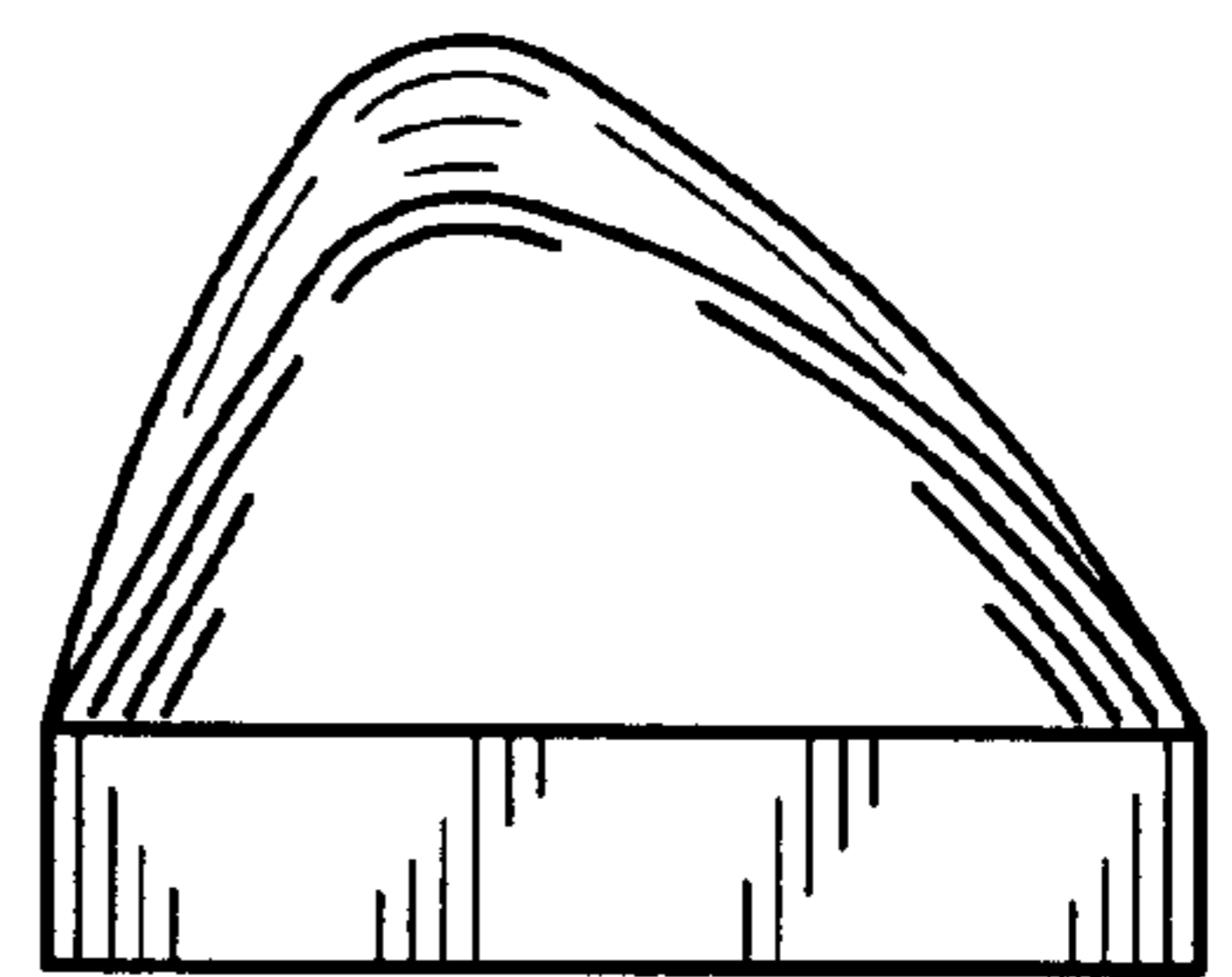


FIG. 5

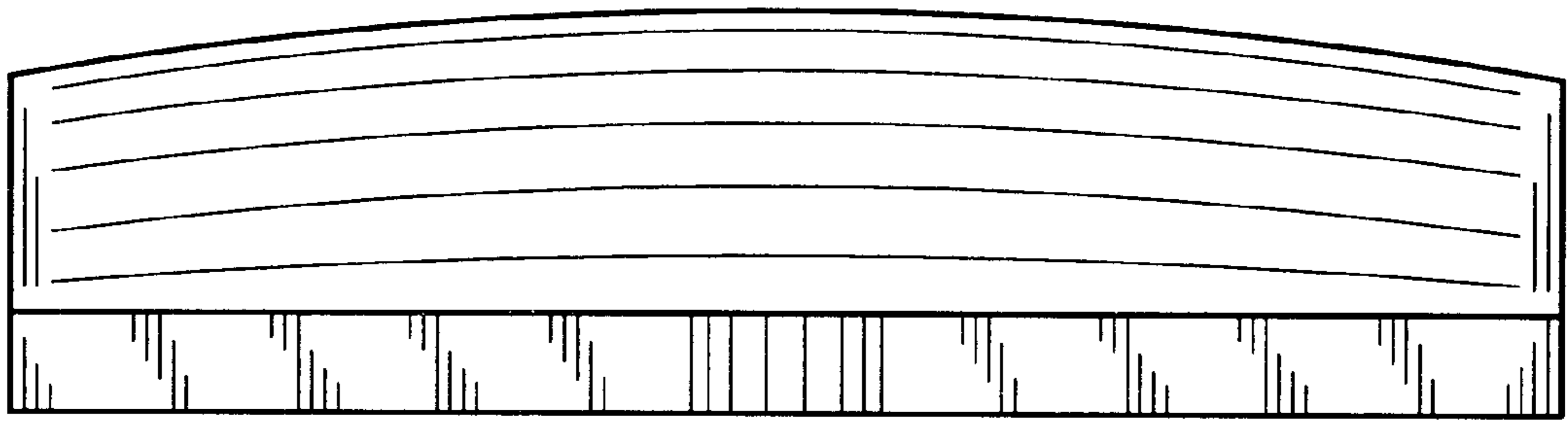


FIG. 6

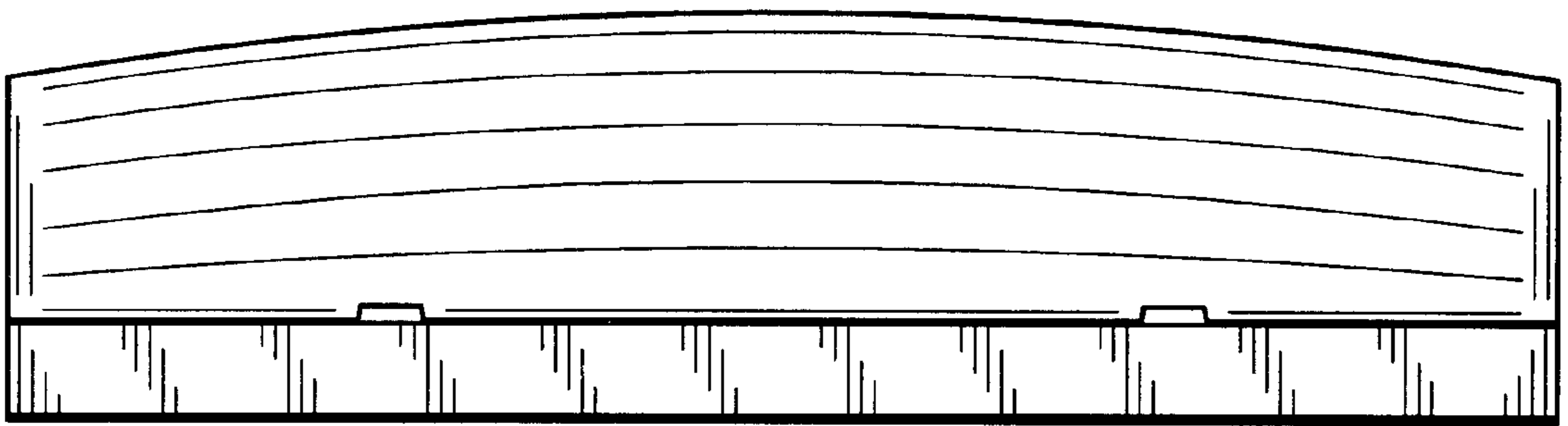


FIG. 7

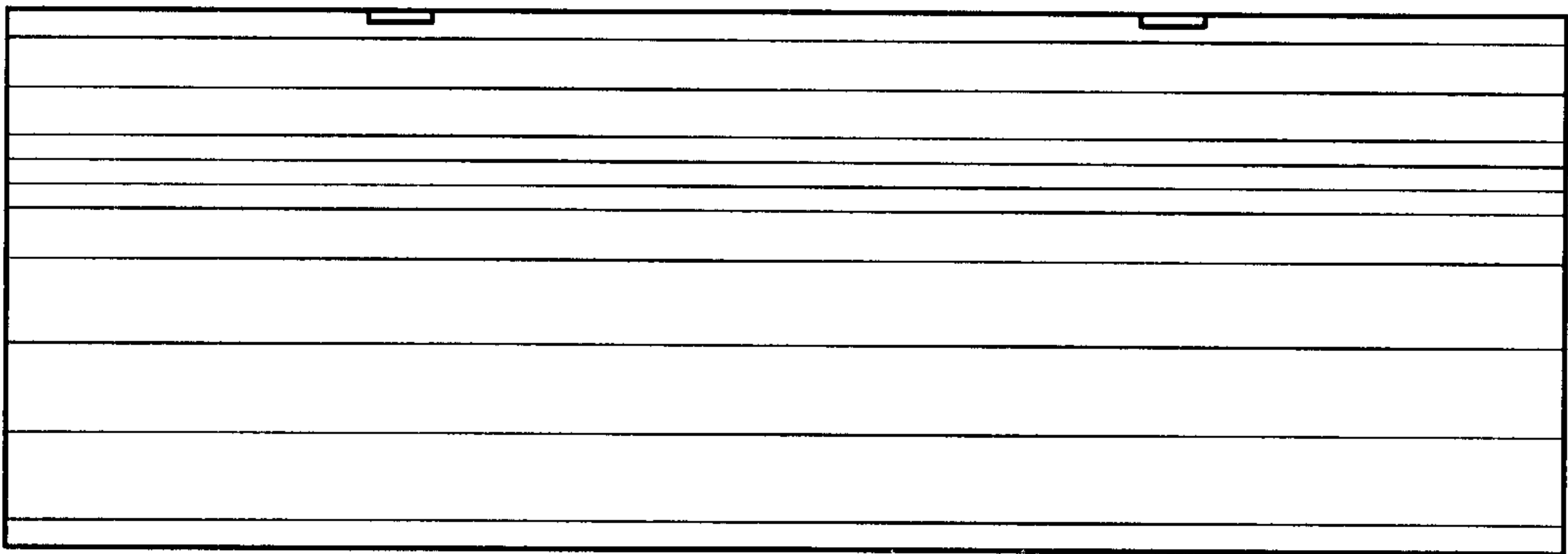


FIG. 8

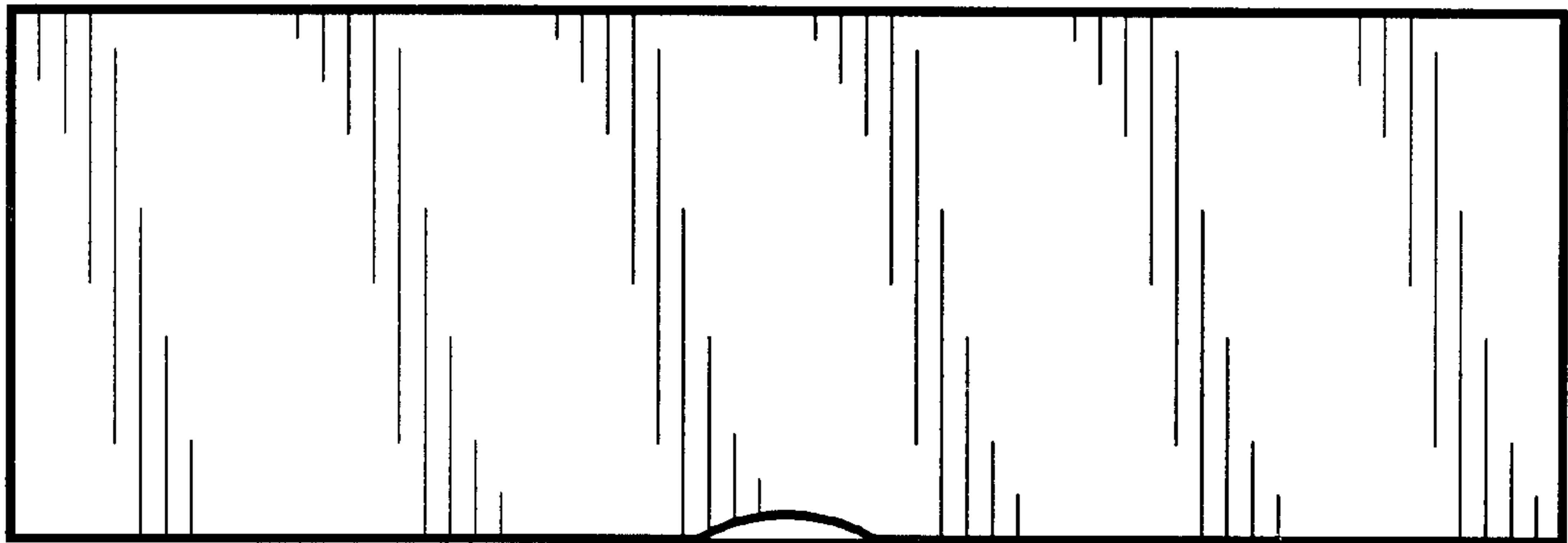


FIG. 9

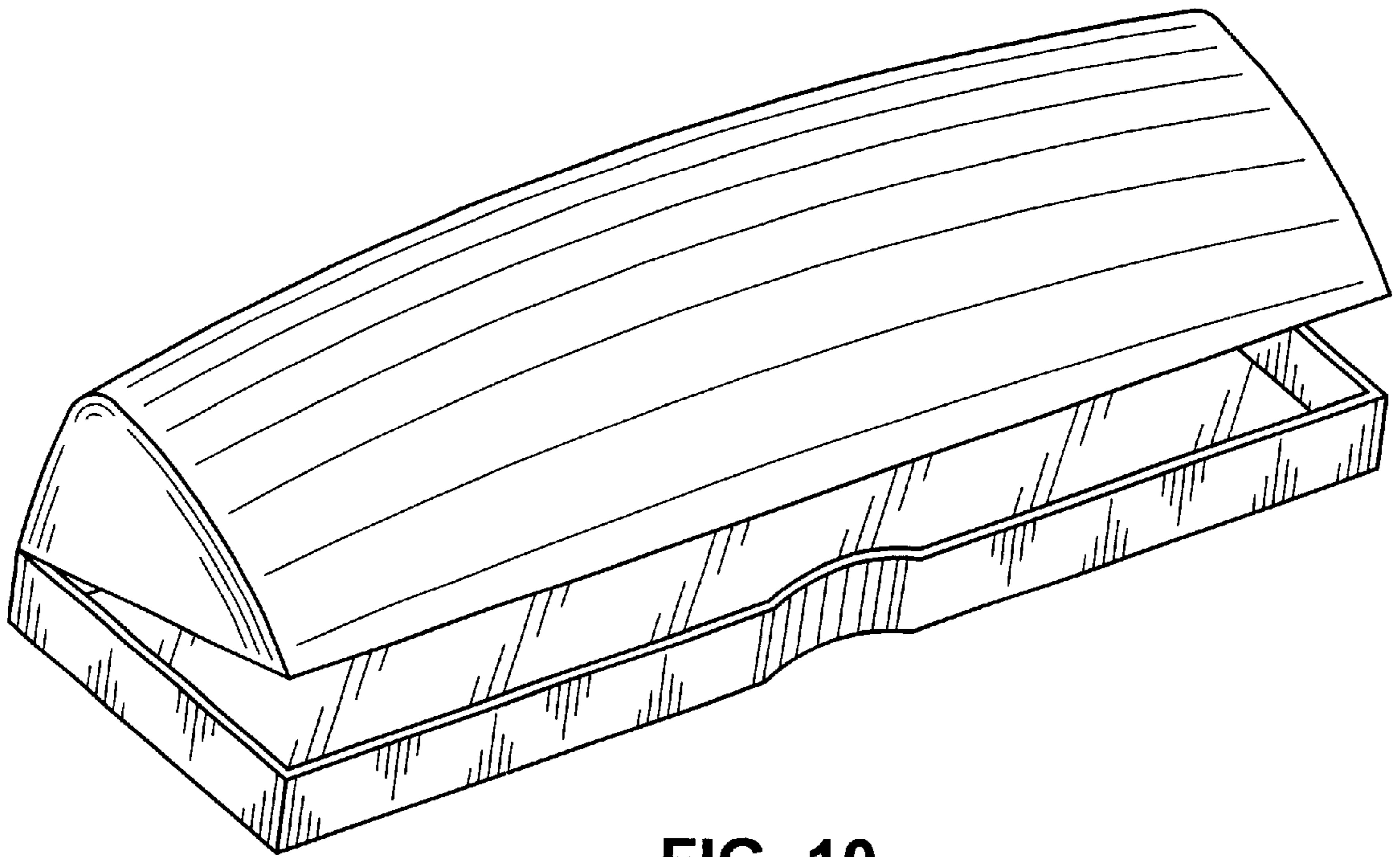


FIG. 10