



US00D472376S

(12) **United States Design Patent**
Wampler et al.

(10) **Patent No.:** **US D472,376 S**
(45) **Date of Patent:** **** Apr. 1, 2003**

(54) **SUPPORT CUP FOR A GOLF CLUB CARRYING DEVICE**

(76) Inventors: **Patricia L. Wampler**, 360 Sun Haven Pl., Manteca, CA (US) 95337; **Mark E. Wampler**, 675 Argonaut St., Manteca, CA (US) 95336

4,753,446 A * 6/1988 Mills 206/315.6
5,417,334 A 5/1995 Wu 211/70.2
D360,451 S * 7/1995 Levocz et al. D21/796
5,474,191 A 12/1995 Bergeron et al. 211/70.2
D375,203 S * 11/1996 LaPlante, Sr. D3/320
5,669,514 A * 9/1997 Massetti 211/70.2
D384,500 S * 10/1997 Muench D3/259

(**) Term: **14 Years**

* cited by examiner

(21) Appl. No.: **29/155,995**

Primary Examiner—Philip S. Hyder
(74) *Attorney, Agent, or Firm*—Henneman & Saunders; Larry E. Henneman, Jr.

(22) Filed: **Feb. 19, 2002**

(51) **LOC (7) Cl.** **03-01**
(52) **U.S. Cl.** **D3/255; D21/796**
(58) **Field of Search** D21/796; D3/254,
D3/255, 315, 320; 206/315.2, 315.3, 315.6,
316.7; 211/70.2

(57) **CLAIM**

We claim the ornamental design for a support cup for a golf club carrying device, as shown.

(56) **References Cited**

DESCRIPTION

U.S. PATENT DOCUMENTS

699,391 A 5/1902 Johnson
2,577,333 A 12/1951 Klum et al. 150/1.5
D186,029 S * 9/1959 Sasaki D3/259
D200,417 S * 2/1965 Miele D3/259
3,219,083 A 11/1965 Asquith 150/1.5
D222,720 S * 12/1971 Lapham et al. D3/259
D232,449 S * 8/1974 Herring D3/259
D237,396 S * 10/1975 Herring D3/259
3,954,239 A 5/1976 Kerbs, Jr. 248/96
D284,907 S * 8/1986 Wiedeman D3/259

FIG. 1 is a perspective view of a support cup for a golf club carrying device, according to the present invention; FIG. 2 is a front view of the support cup of FIG. 1; FIG. 3 is a side view of the support cup of FIG. 1; FIG. 4 is a rear view of the support cup of FIG. 1; FIG. 5 is a top view of the support cup for a golf club carrying device of FIG. 1; and, FIG. 6 is a bottom view of the support cup for a golf club carrying device of FIG. 1. The broken line showing of the shaft is for illustrative purposes only and forms no part of the claimed design.

1 Claim, 2 Drawing Sheets

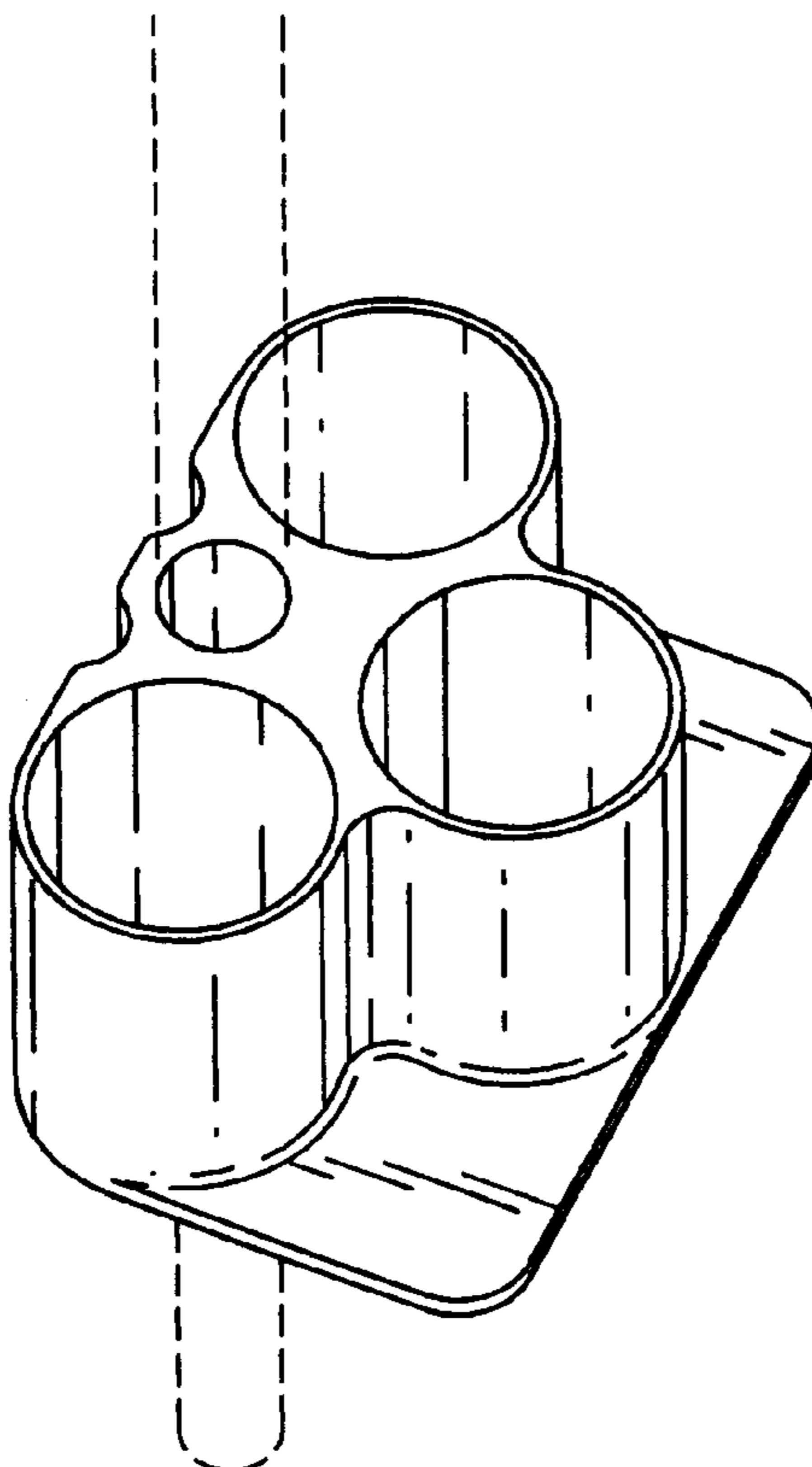


FIG. 1

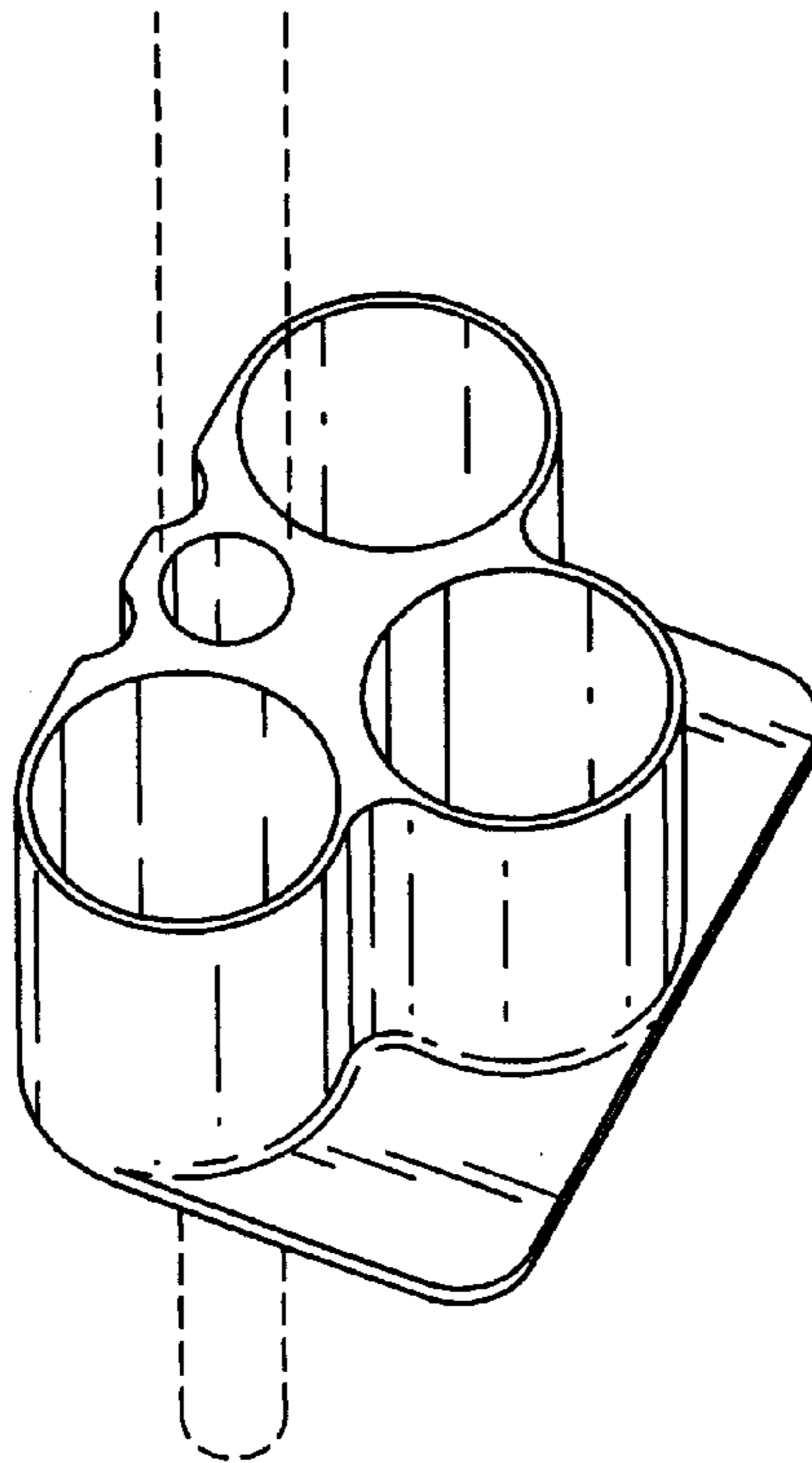


FIG. 2

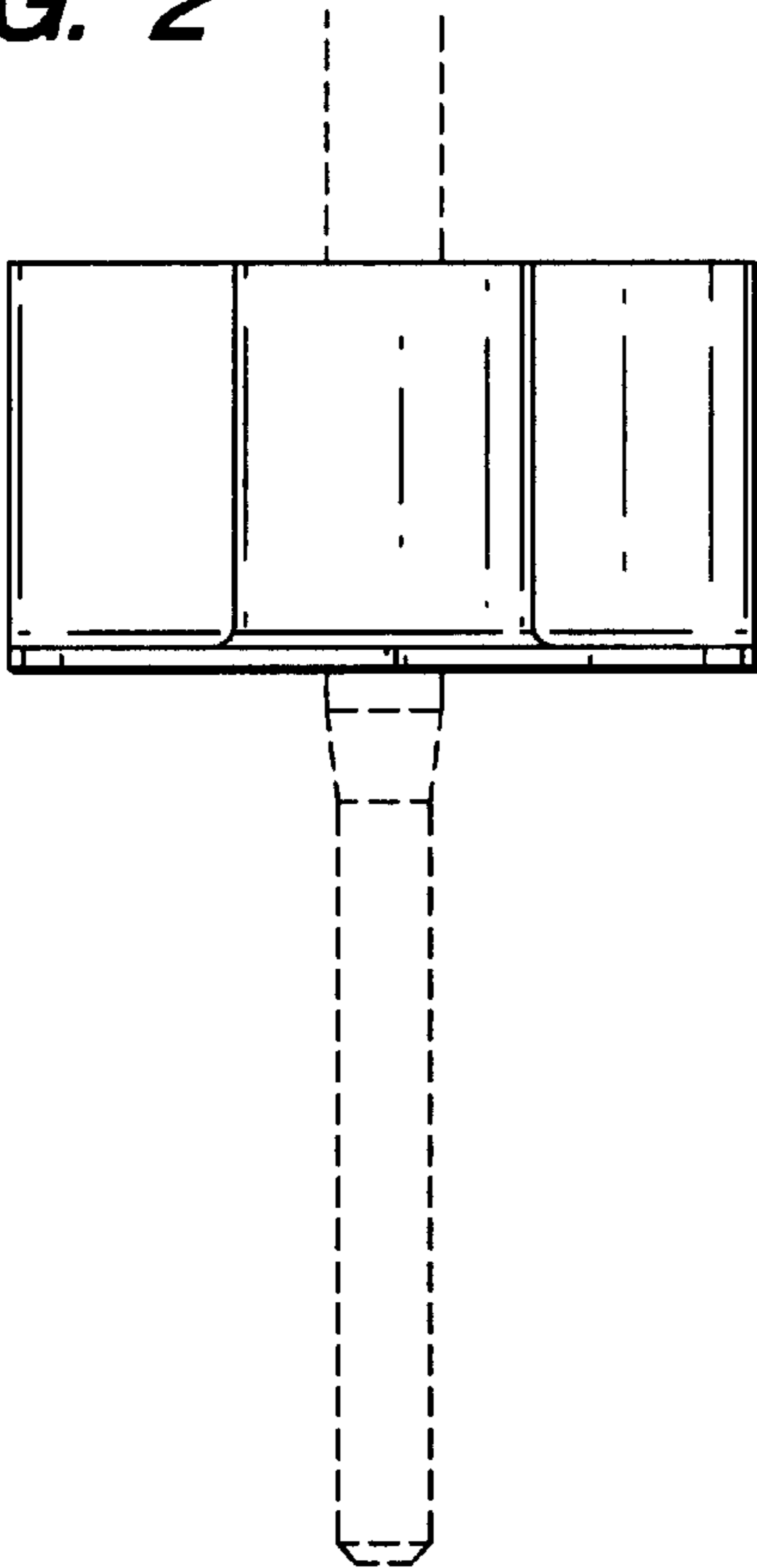


FIG. 3

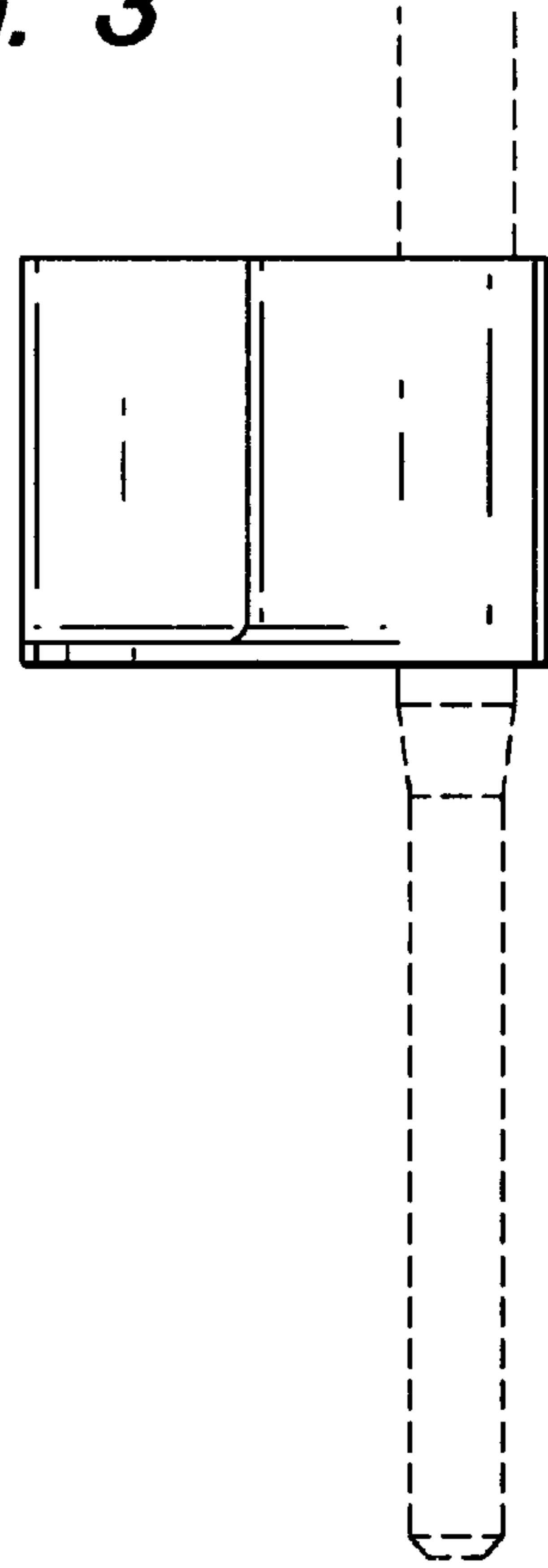


FIG. 4

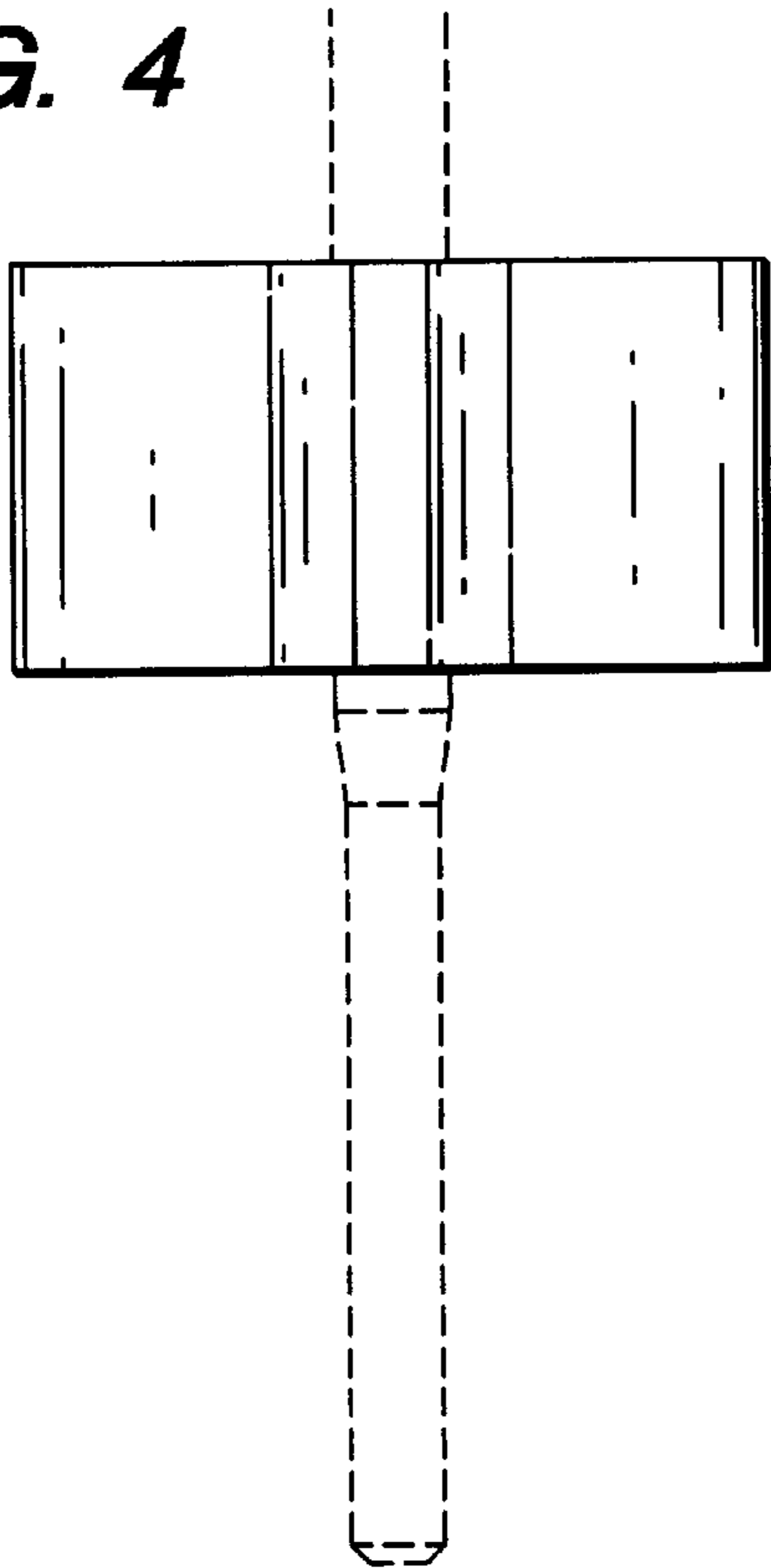


FIG. 5

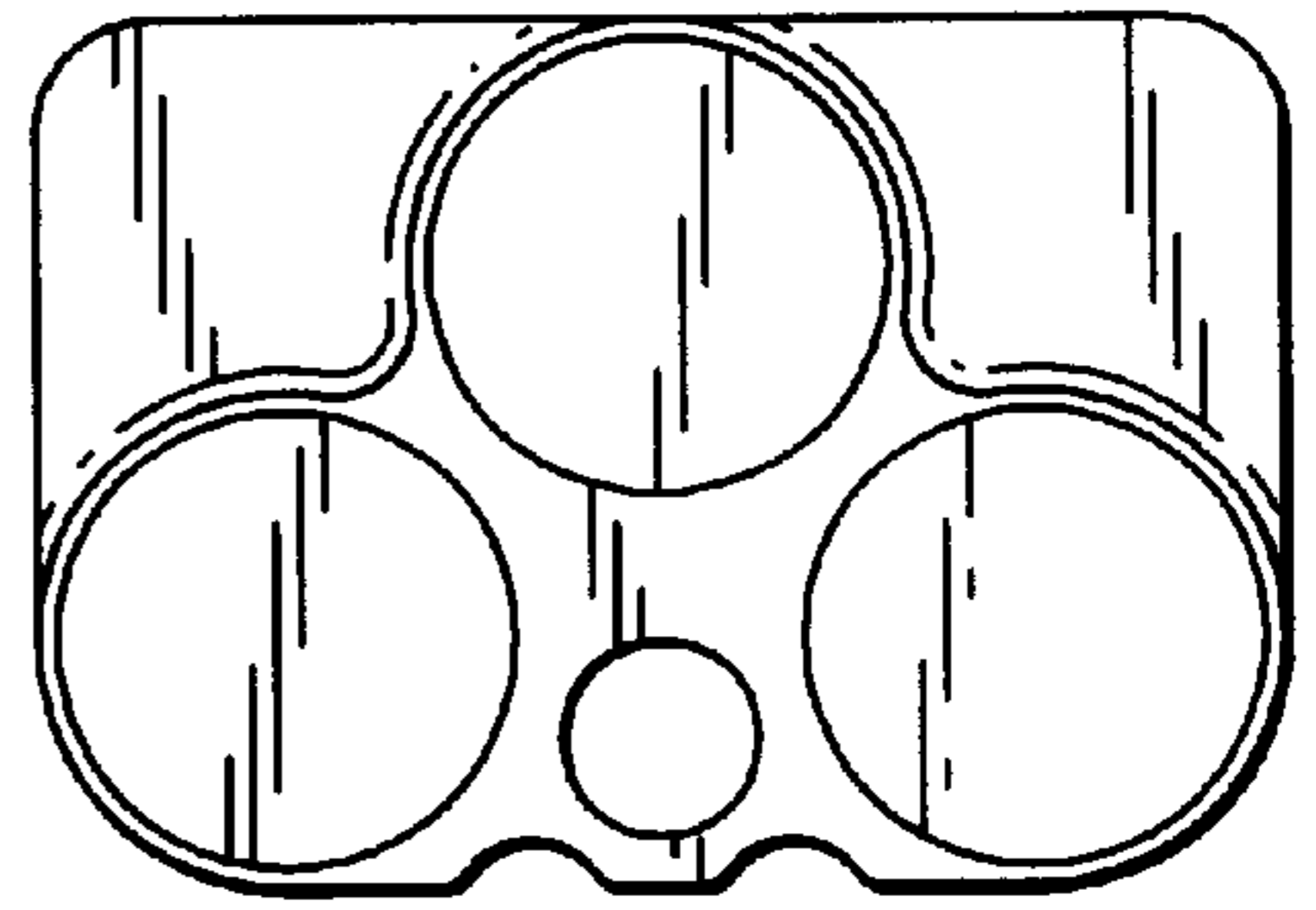


FIG. 6

