



US00D472371S

(12) **United States Design Patent**  
**Pomare**

(10) **Patent No.:** **US D472,371 S**

(45) **Date of Patent:** **\*\* Apr. 1, 2003**

(54) **BULLETPROOF BACKPACK**

(76) **Inventor:** **Eduardo A. Pomare**, 1734 Carriage Way, Sugarland, TX (US) 77478

(\*\*) **Term:** **14 Years**

(21) **Appl. No.:** **29/155,929**

(22) **Filed:** **Feb. 21, 2002**

(51) **LOC (7) Cl.** ..... **03-01**

(52) **U.S. Cl.** ..... **D3/216; D3/217**

(58) **Field of Search** ..... D2/741; D3/224, D3/216-218, 233, 268, 274; D14/168; D21/483; 2/2.5; 190/18 A; 224/148.2, 153, 155, 156, 576-580, 582-584, 601, 627-231, 637, 640, 642, 643, 646, 647, 650, 652, 653, 656, 657; 381/90

(56) **References Cited**

**U.S. PATENT DOCUMENTS**

2,428,795	A	*	10/1947	Frazer	.....	224/153
4,096,978	A	*	6/1978	Noice	.....	224/640
4,467,476	A	*	8/1984	Herbert	.....	2/2.5
4,830,245	A	*	5/1989	Arakaki	.....	224/628
4,884,731	A	*	12/1989	Sibley	.....	224/651
D374,979	S	*	10/1996	Roberson et al.	.....	D3/217
D375,622	S	*	11/1996	Croft	.....	D3/217
5,632,429	A	*	5/1997	Cantwell	.....	224/630
D388,248	S	*	12/1997	Rohrbach	.....	D3/217
D392,094	S	*	3/1998	Lane	.....	D3/217
5,779,121	A	*	7/1998	Capwell	.....	224/655
D407,214	S	*	3/1999	Chapman	.....	D3/217

D408,133	S	*	4/1999	Francis et al.	.....	D3/214
D418,673	S	*	1/2000	Madsen	.....	D3/216
D420,792	S	*	2/2000	Sakelliou et al.	.....	D3/216
6,193,118	B1	*	2/2001	Kearl	.....	224/153
D448,161	S	*	9/2001	Holodnicki	.....	D3/217
6,367,674	B1	*	4/2002	Tabor	.....	224/650
D458,444	S	*	6/2002	Clark et al.	.....	D3/216
6,443,274	B1	*	9/2002	Klamm	.....	190/18 A

**OTHER PUBLICATIONS**

20020074373-Patent Application Publication Jun. 20, 2002, Heinz.\*

20020070086-Patent Application Publication Jun. 13, 2002, Klamm.\*

\* cited by examiner

*Primary Examiner*—Celia Murphy

(57) **CLAIM**

The ornamental design for a bulletproof backpack, as shown and described.

**DESCRIPTION**

FIG. 1 is a front view of a bulletproof backpack showing my new design.

FIG. 2 is a back view of the bulletproof backpack.

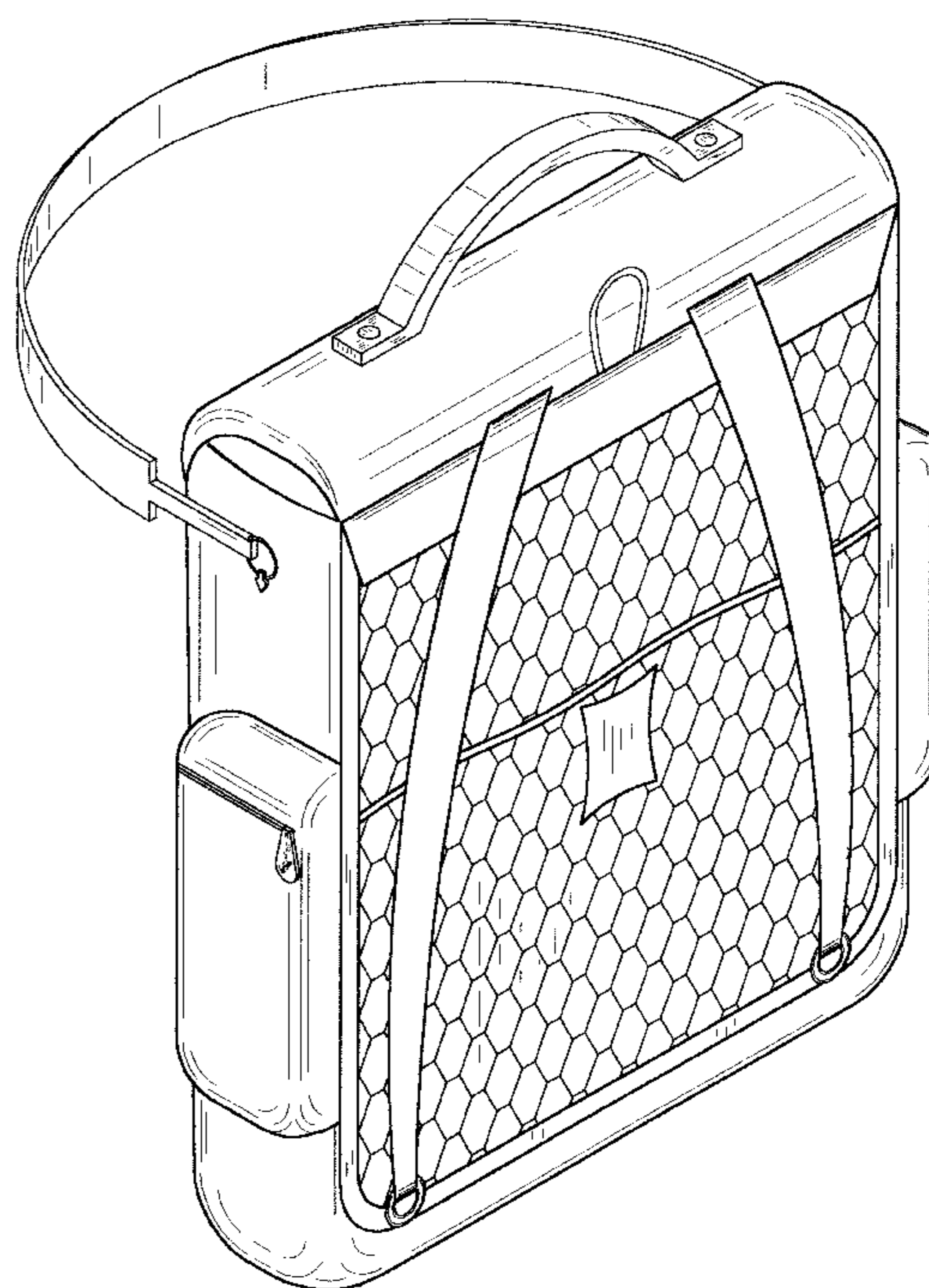
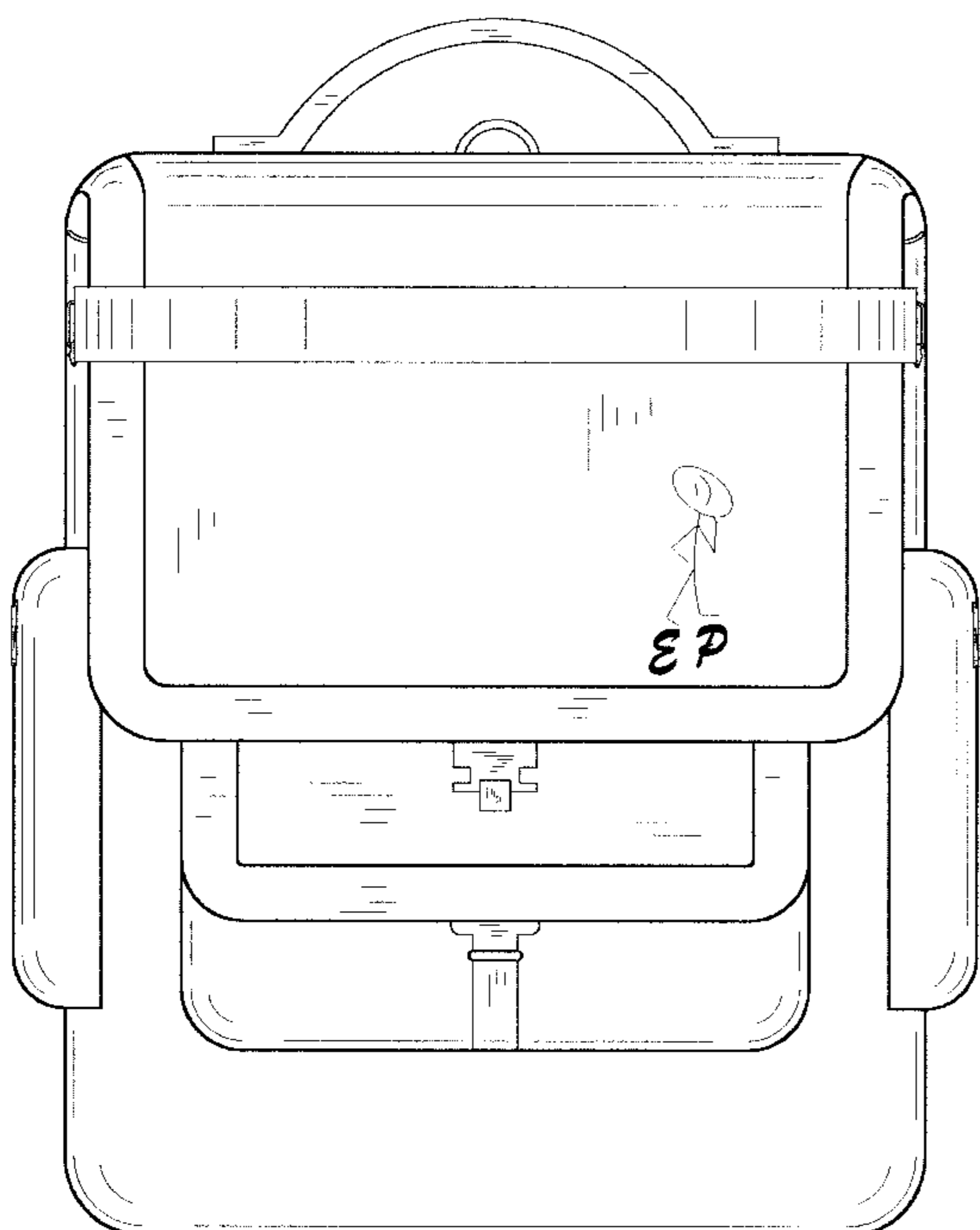
FIG. 3 is a side view of the bulletproof backpack.

FIG. 4 is a top view of the bulletproof backpack.

FIG. 5 is a bottom view of the bulletproof backpack; and,

FIG. 6 is a perspective view of the bulletproof backpack.

**1 Claim, 5 Drawing Sheets**



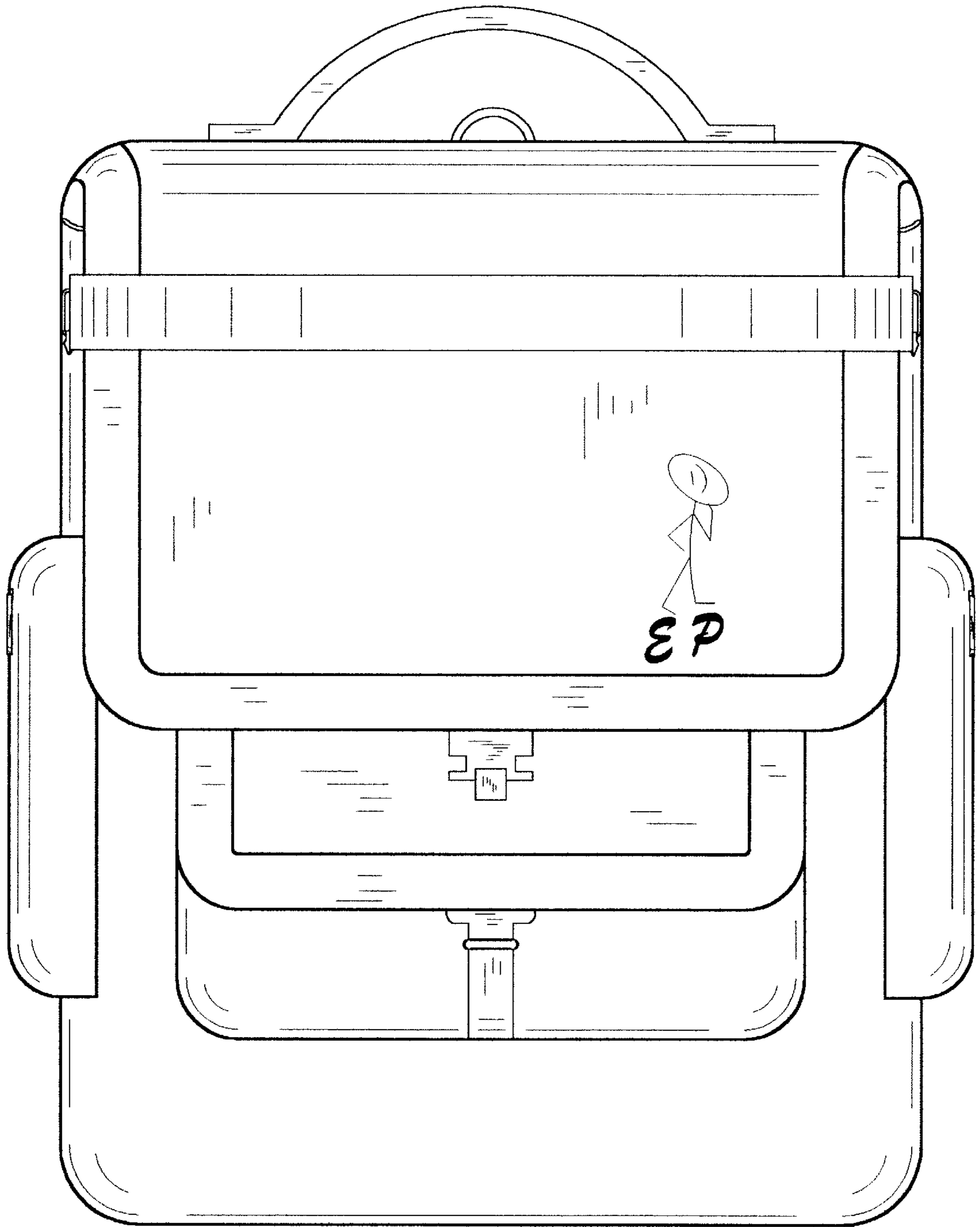


FIG. 1

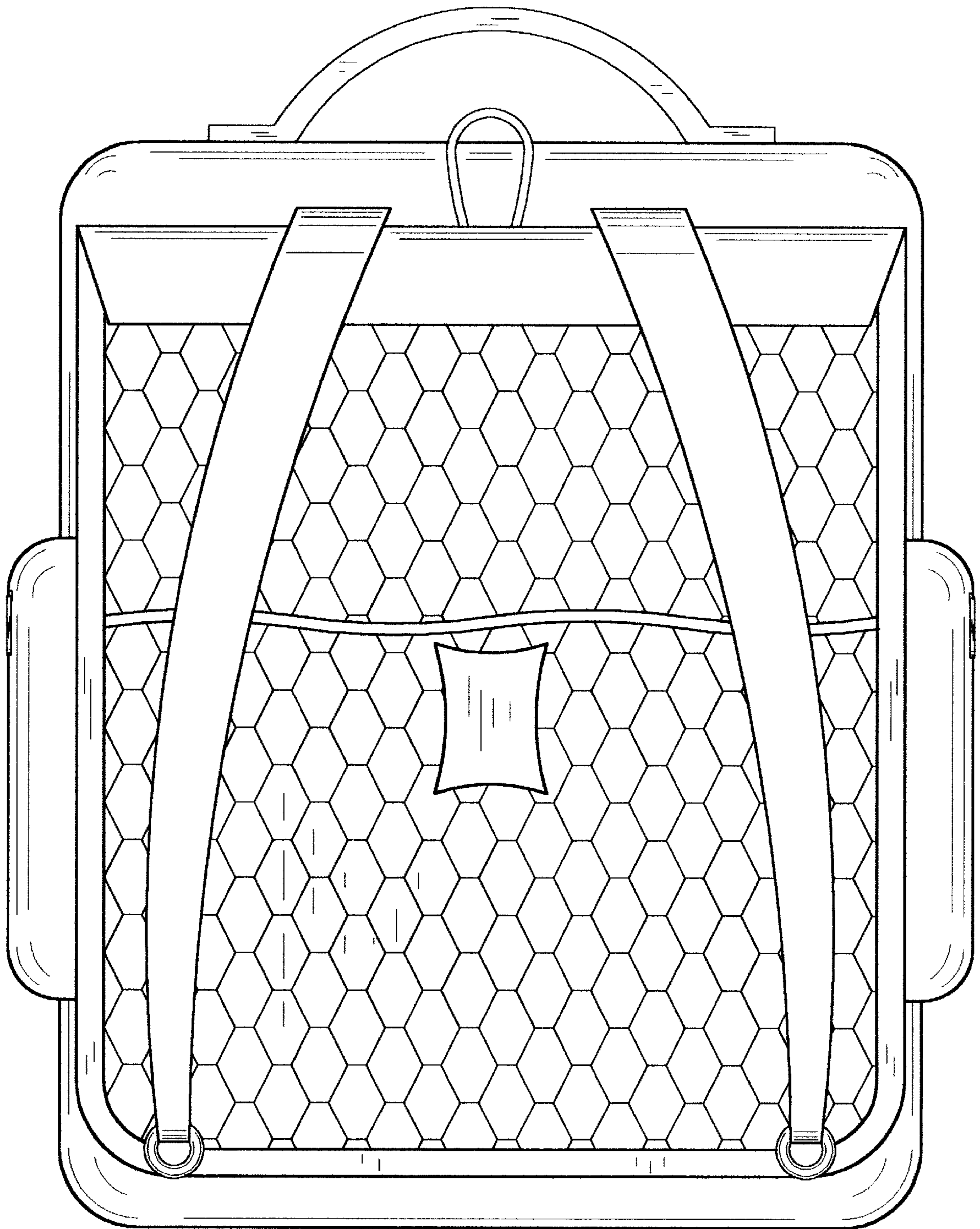


FIG. 2

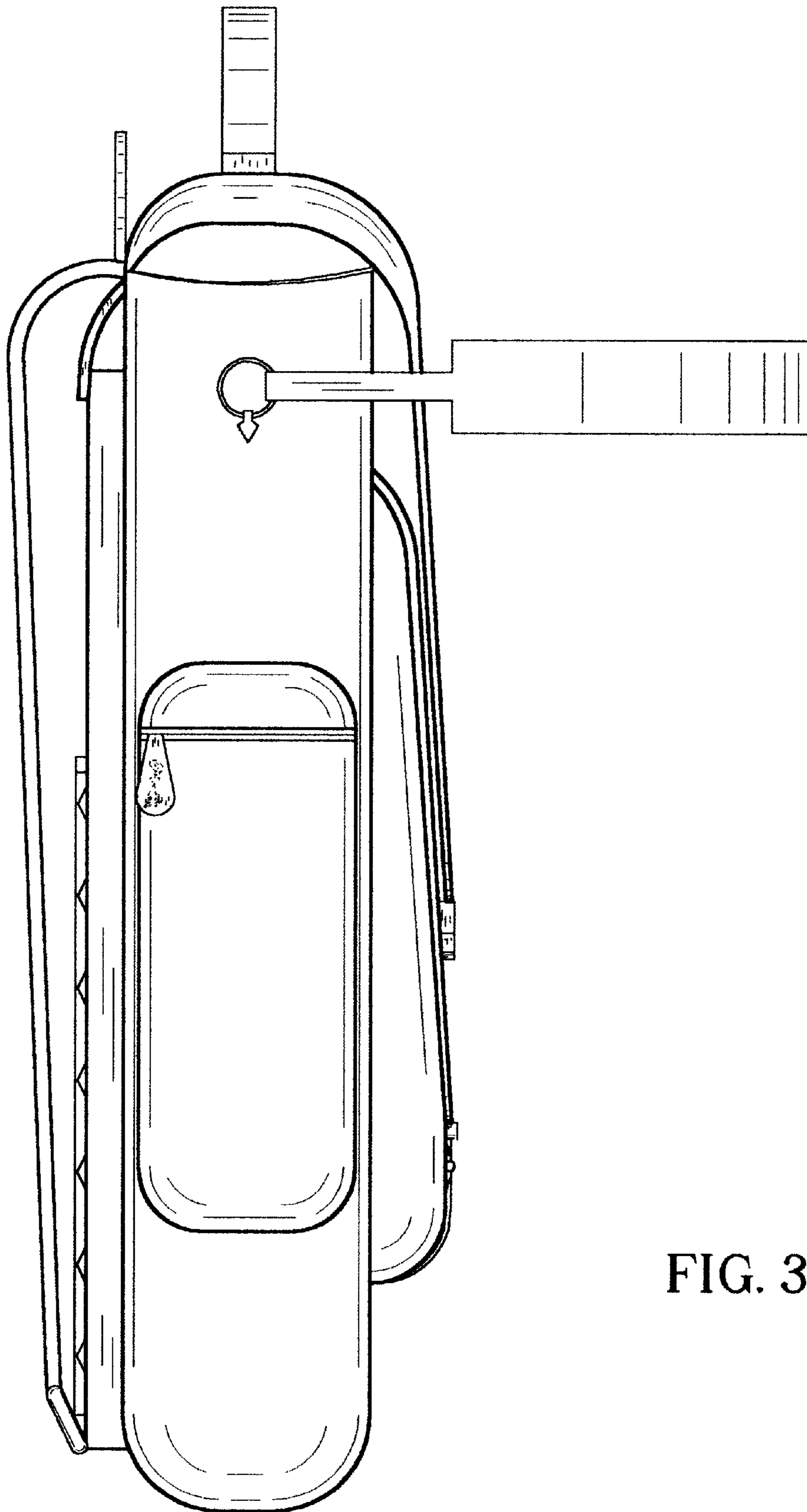


FIG. 3

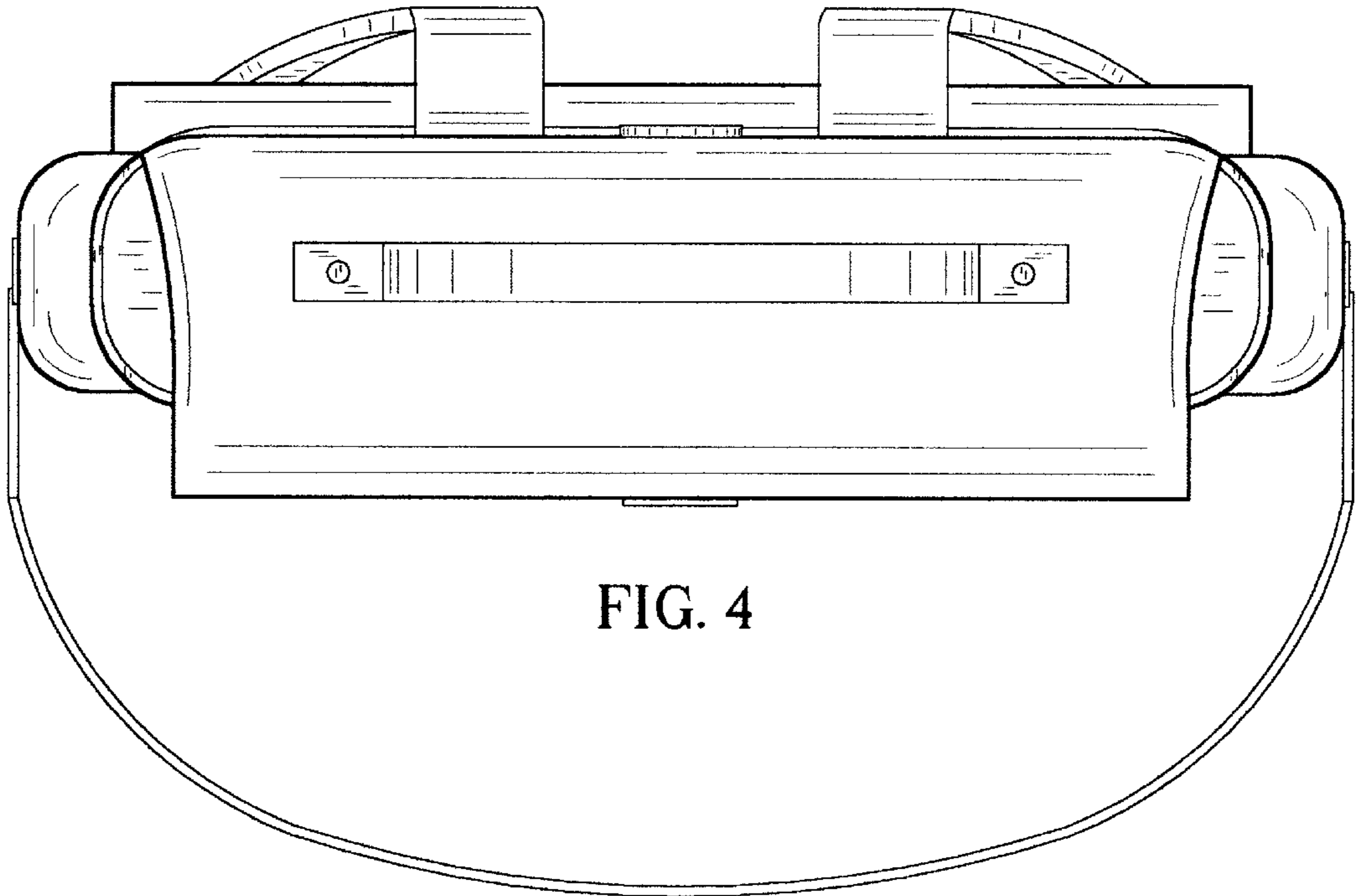


FIG. 4

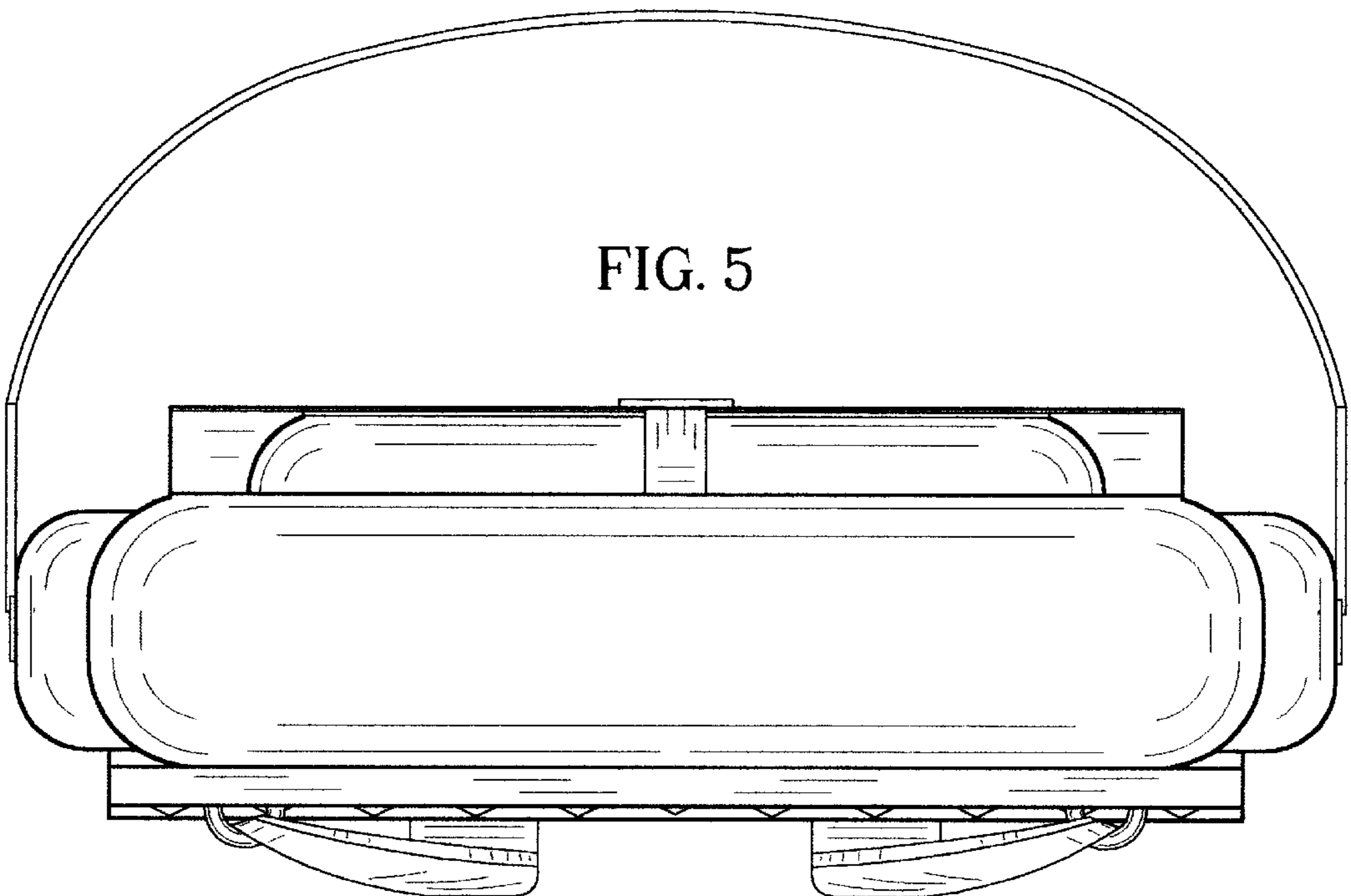


FIG. 5

