



US00D472359S

(12) **United States Design Patent**  
**Green et al.**

(10) **Patent No.:** **US D472,359 S**

(45) **Date of Patent:** **\*\* Mar. 25, 2003**

(54) **LIFT CONTROL ENCLOSURE**

(75) Inventors: **Steven D. Green**, Madison, IN (US);  
**Mike Kilhefner**, Madison, IN (US);  
**Douglas J. Brown**, Madison, IN (US)

(73) Assignee: **Delaware Capital Formation, Inc.**,  
Wilmington, DE (US)

(\*\*) Term: **14 Years**

(21) Appl. No.: **29/153,899**

(22) Filed: **Oct. 26, 2001**

(51) **LOC (7) Cl.** ..... **12-05**

(52) **U.S. Cl.** ..... **D34/35**

(58) **Field of Search** ..... D34/28, 35, 37;  
D15/30; 180/89.12, 89.13, 89.17; 280/43.23,  
43.17; 254/45

(56) **References Cited**

**U.S. PATENT DOCUMENTS**

- D235,987 S \* 7/1975 Mono ..... D15/30
- D277,795 S \* 2/1985 Griffiths ..... D34/35
- D359,947 S \* 7/1995 Greene ..... D34/35

- D374,535 S \* 10/1996 Feider et al. .... D34/35
- D376,244 S \* 12/1996 Feider et al. .... D34/35
- D384,478 S \* 9/1997 Prehn et al. .... D34/35
- D395,116 S \* 6/1998 Okerlund et al. .... D34/35

\* cited by examiner

*Primary Examiner*—Cynthia E. Ramirez

(74) *Attorney, Agent, or Firm*—Frost Brown Todd LLC

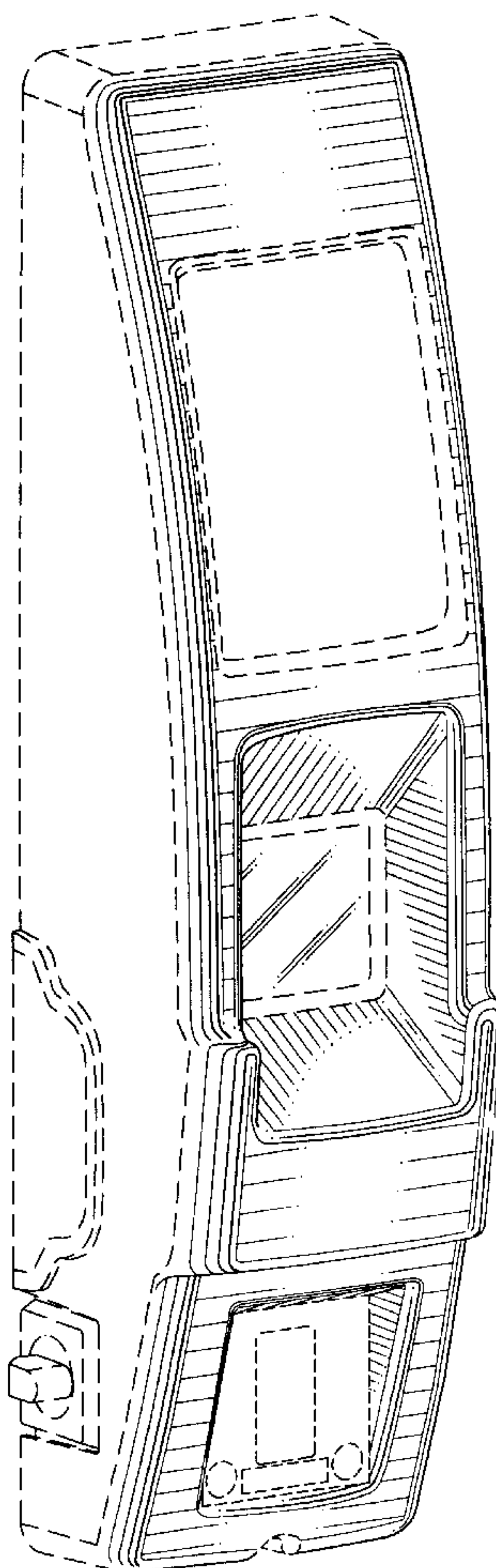
(57) **CLAIM**

The ornamental design for a lift control enclosure, as shown and described.

**DESCRIPTION**

FIG. 1 is front perspective view of the lift control enclosure of the present invention looking at the front and left side; FIG. 2 is a front elevational view thereof; FIG. 3 is a right side elevational view thereof; FIG. 4 is a left side elevational view thereof; FIG. 5 is a top plan view thereof; FIG. 6 is a bottom plan view thereof; and, FIG. 7 is a rear elevational view thereof. Portions of the accompanying drawings that appear in phantom lines do not form part of the invention as claimed.

**1 Claim, 6 Drawing Sheets**



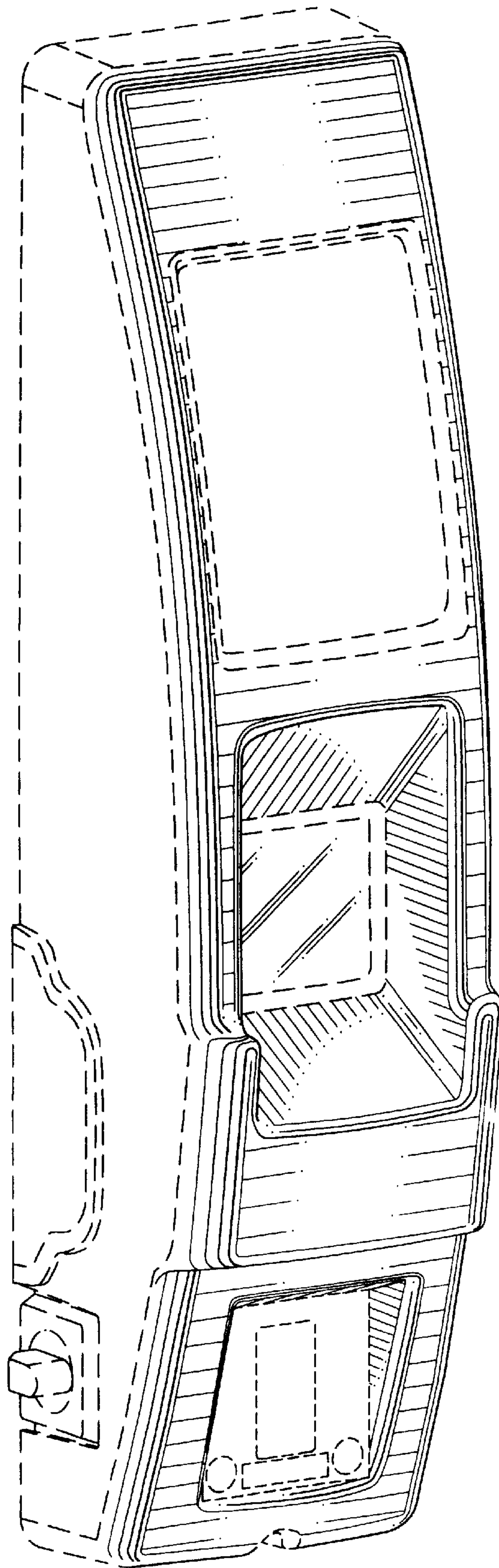


FIG. 1

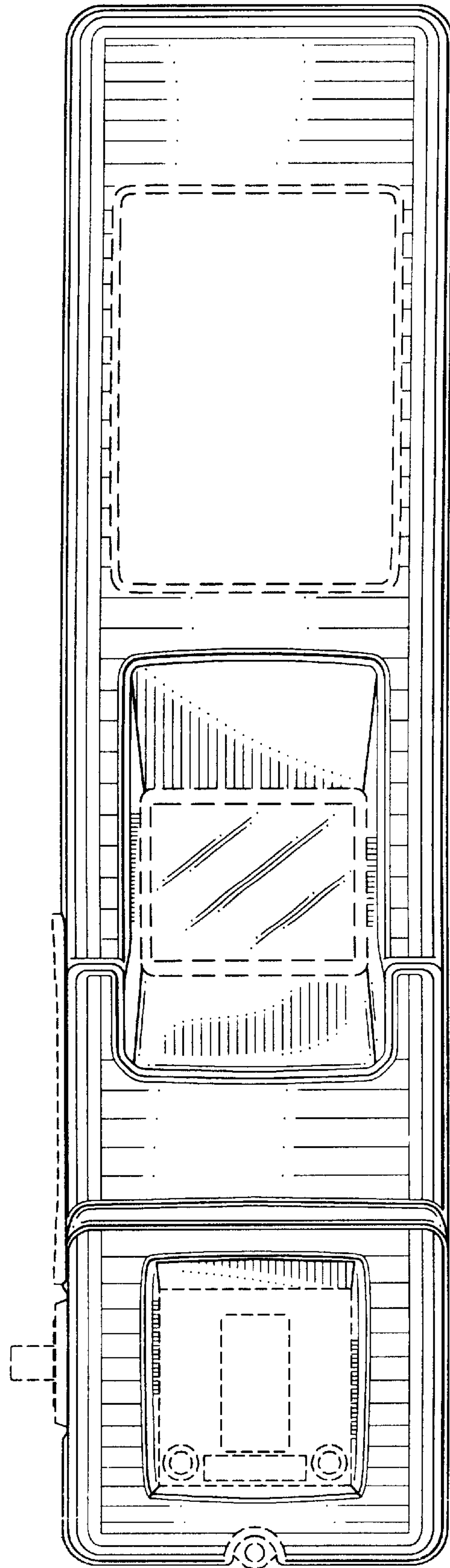


FIG. 2

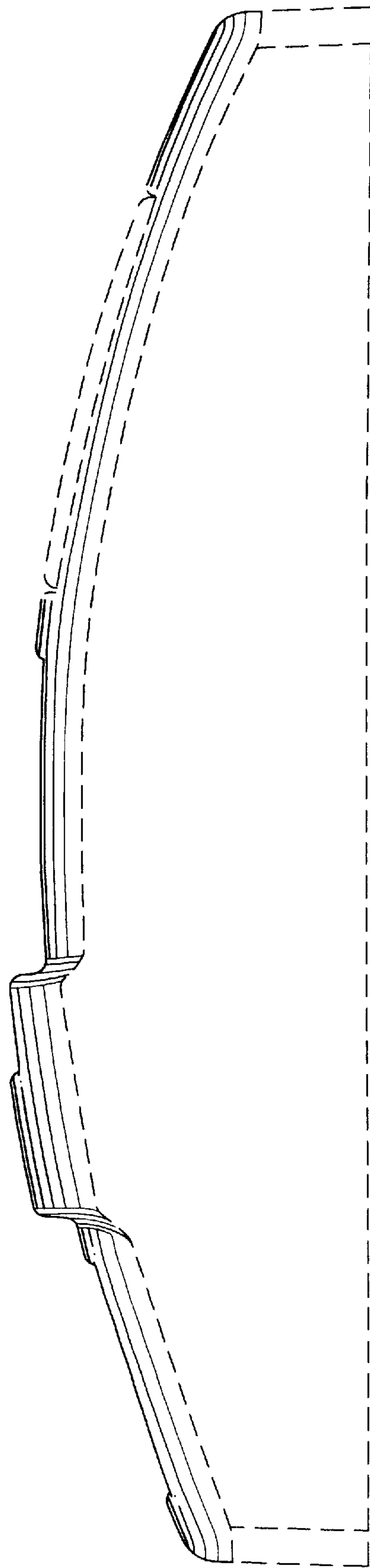


FIG. 3

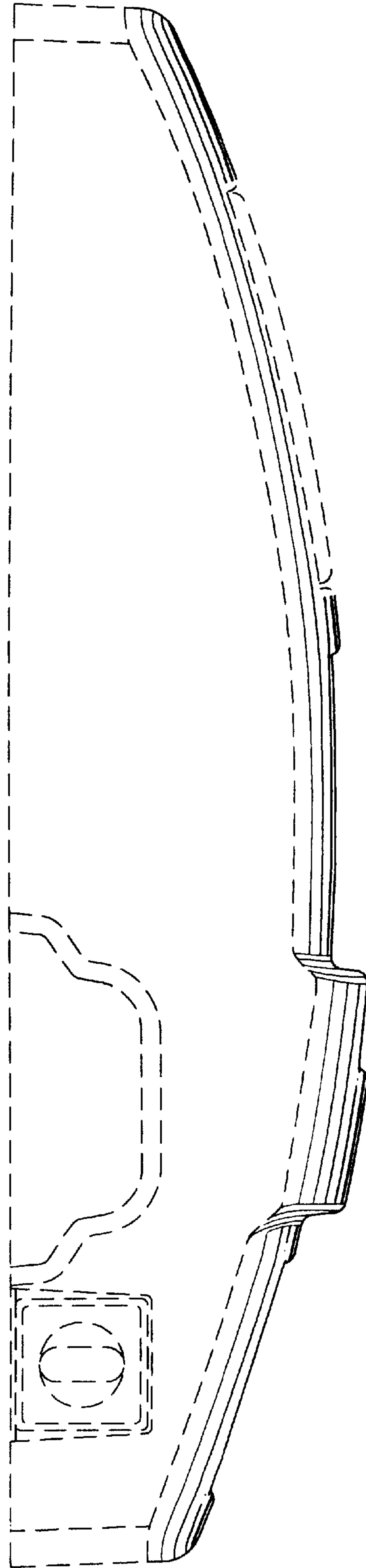


FIG. 4

5

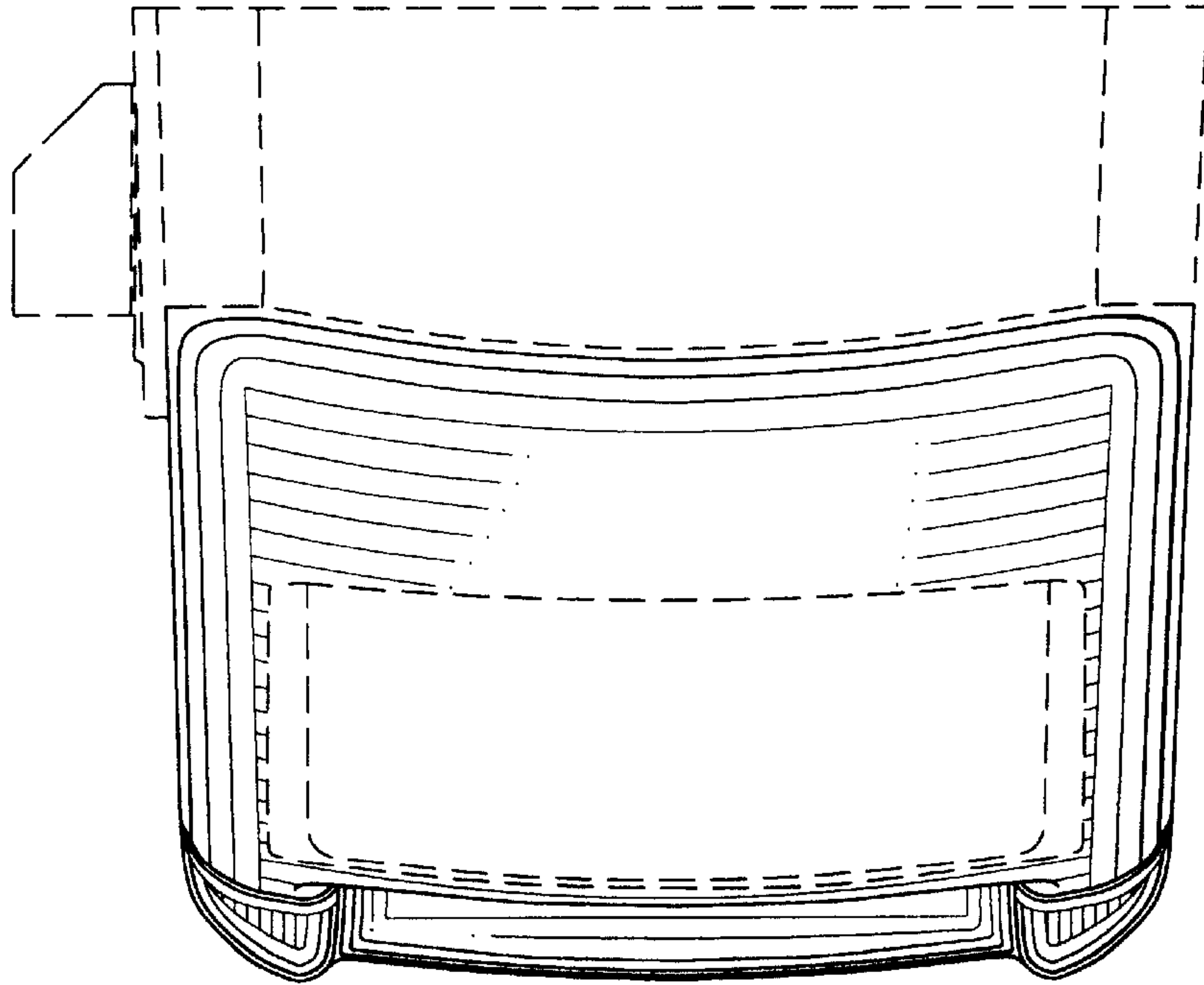


FIG. 5

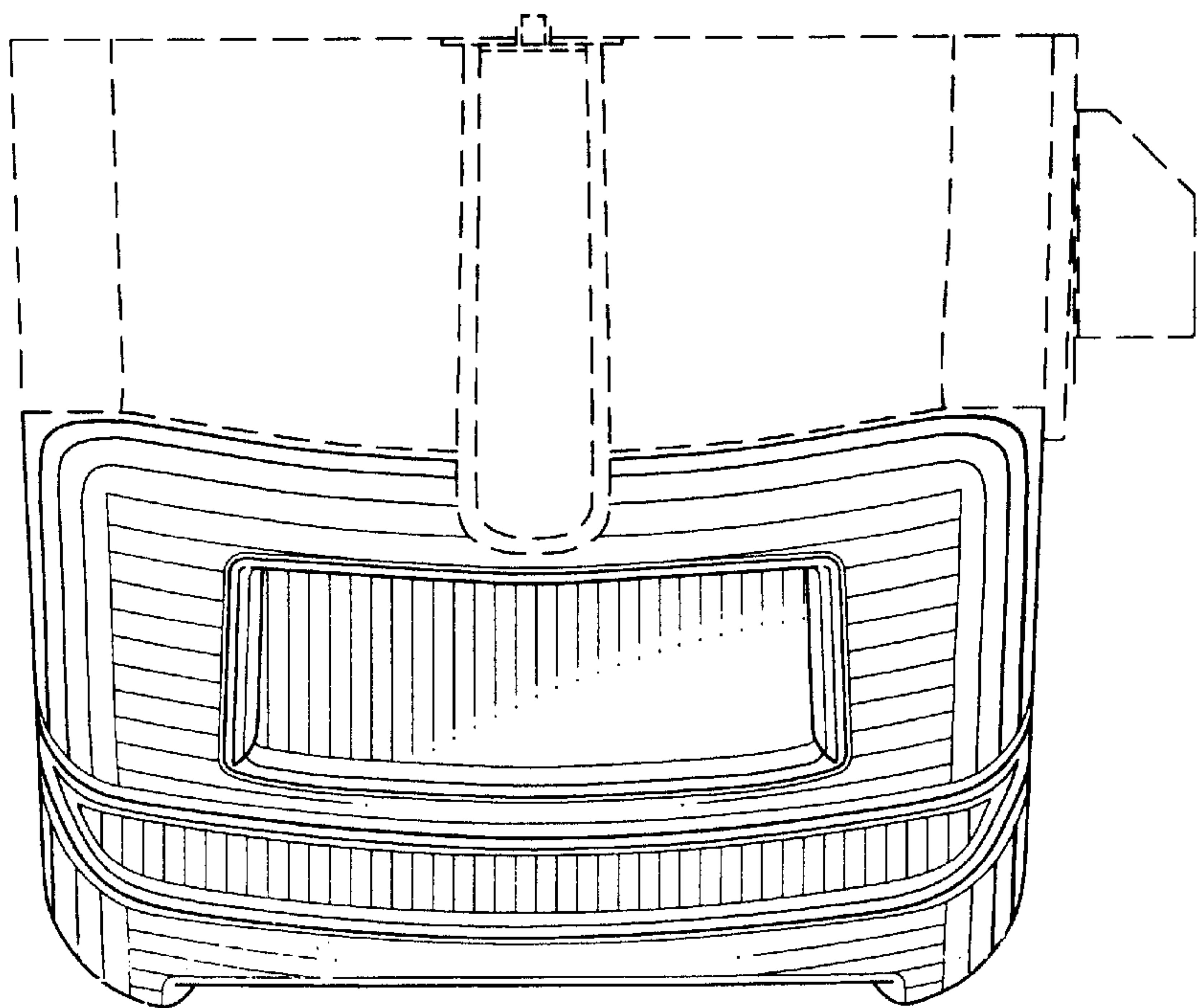


FIG. 6



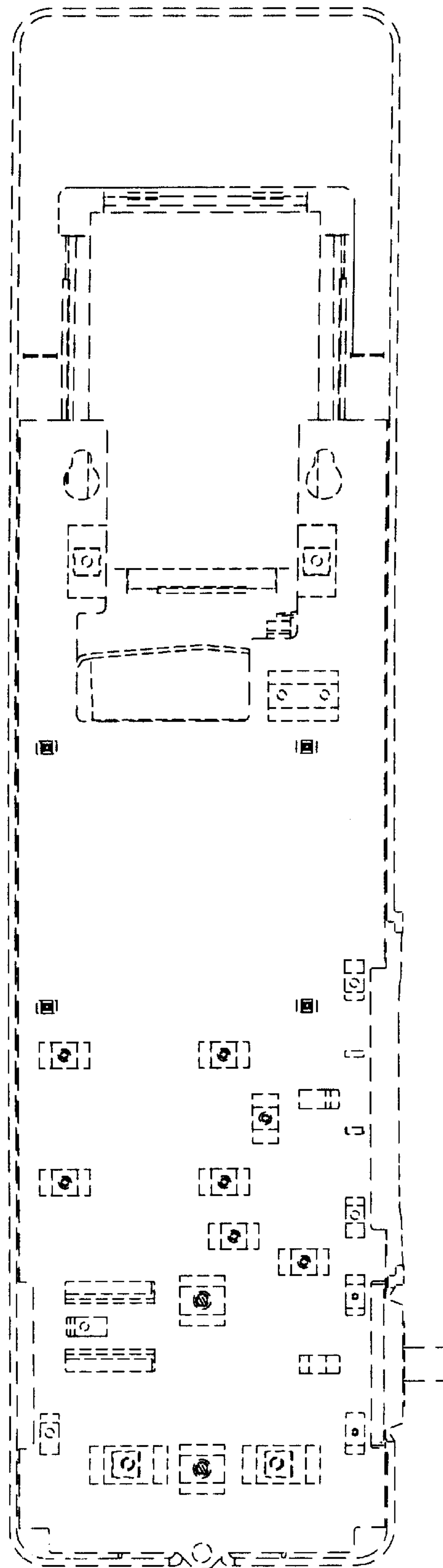


FIG. 7