



US00D472358S

(12) **United States Design Patent**
Beese, Jr.

(10) **Patent No.:** **US D472,358 S**

(45) **Date of Patent:** **** Mar. 25, 2003**

(54) **WORKSTATION DOLLY**

(76) **Inventor:** **Glenn Beese, Jr.**, 38W005 Spring
Green Way, Batavia, IL (US) 60510

(**) **Term:** **14 Years**

(21) **Appl. No.:** **29/160,704**

(22) **Filed:** **May 15, 2002**

(51) **LOC (7) Cl.** **12-02**

(52) **U.S. Cl.** **D34/23; D34/27**

(58) **Field of Search** **D34/12-27; 280/62,**
280/32.5, 32.6, 47.29, 79.11

(56) **References Cited**

U.S. PATENT DOCUMENTS

D204,752 S	*	5/1966	Tveten	D34/18
D227,881 S	*	7/1973	Fox	D34/18
D356,412 S	*	3/1995	Hensley, Jr.	D34/23
D390,314 S	*	2/1998	Chen	D34/23
D414,305 S	*	9/1999	Rohn et al.	D32/31

* cited by examiner

Primary Examiner—Kay H. Chin

(74) *Attorney, Agent, or Firm*—Polster, Lieder, Woodruff &
Lucchesi, L.C.

(57) **CLAIM**

The ornamental design for a workstation dolly, as shown and described.

DESCRIPTION

FIG. 1 is a top perspective view of a workstation dolly showing my new design, the broken lines are for illustrative purposes only and form no part of the claimed design;

FIG. 2 is a top plan view thereof;

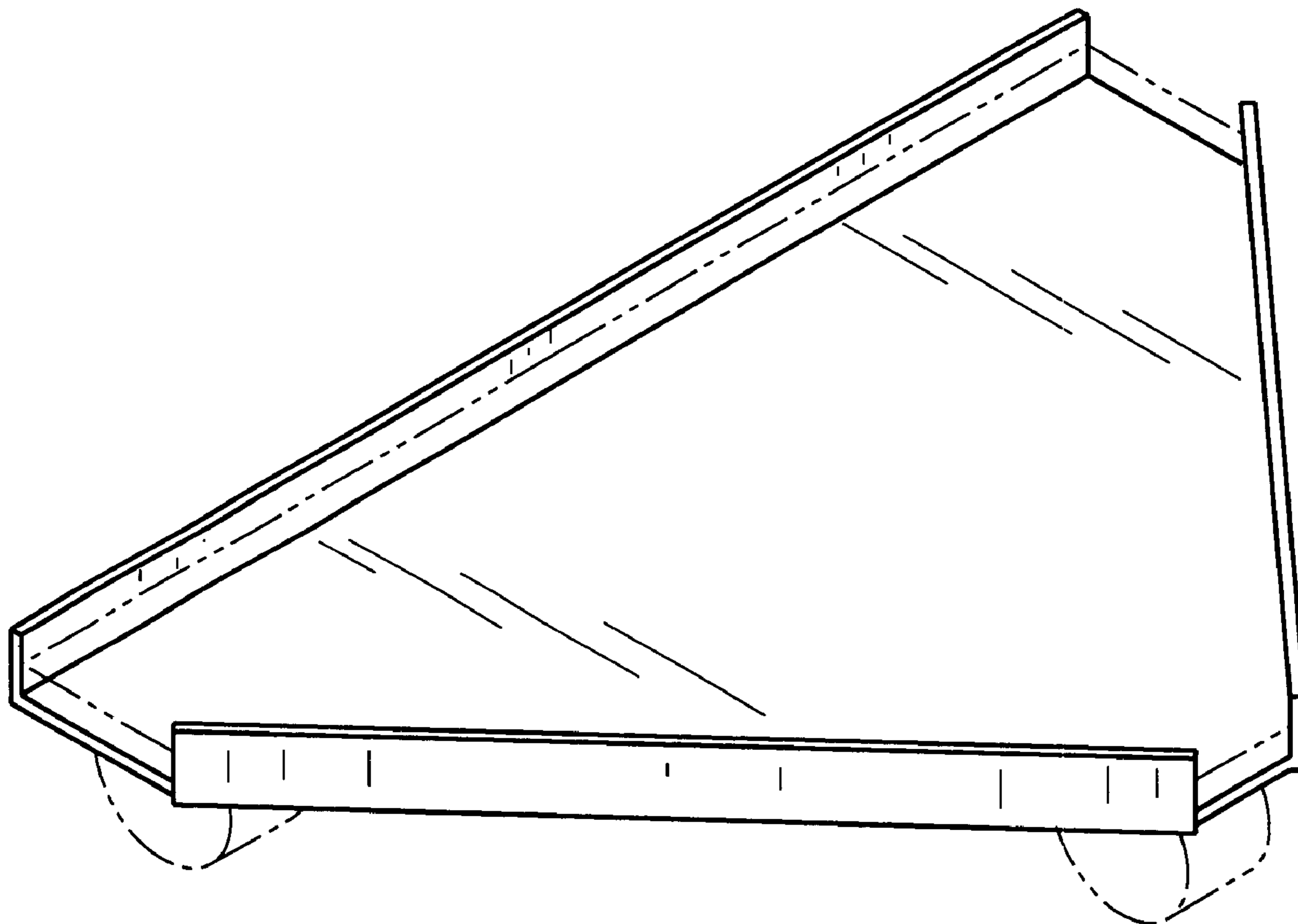
FIG. 3 is a bottom plan view thereof;

FIG. 4 is a side elevational view thereof, the right and left side elevational views being identical;

FIG. 5 is a front elevational view thereof; and,

FIG. 6 is a rear elevational view thereof.

1 Claim, 2 Drawing Sheets



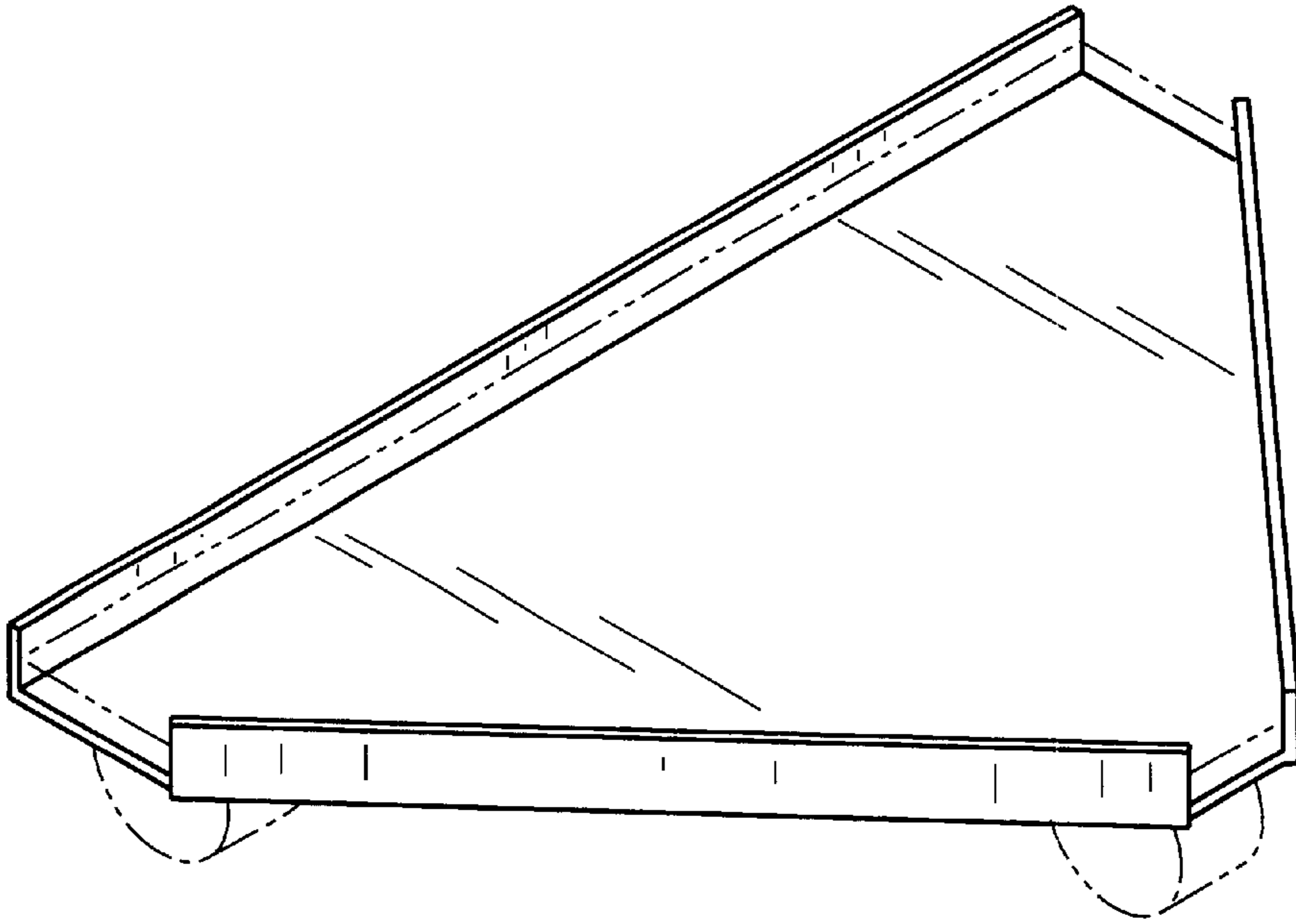


FIG. 1

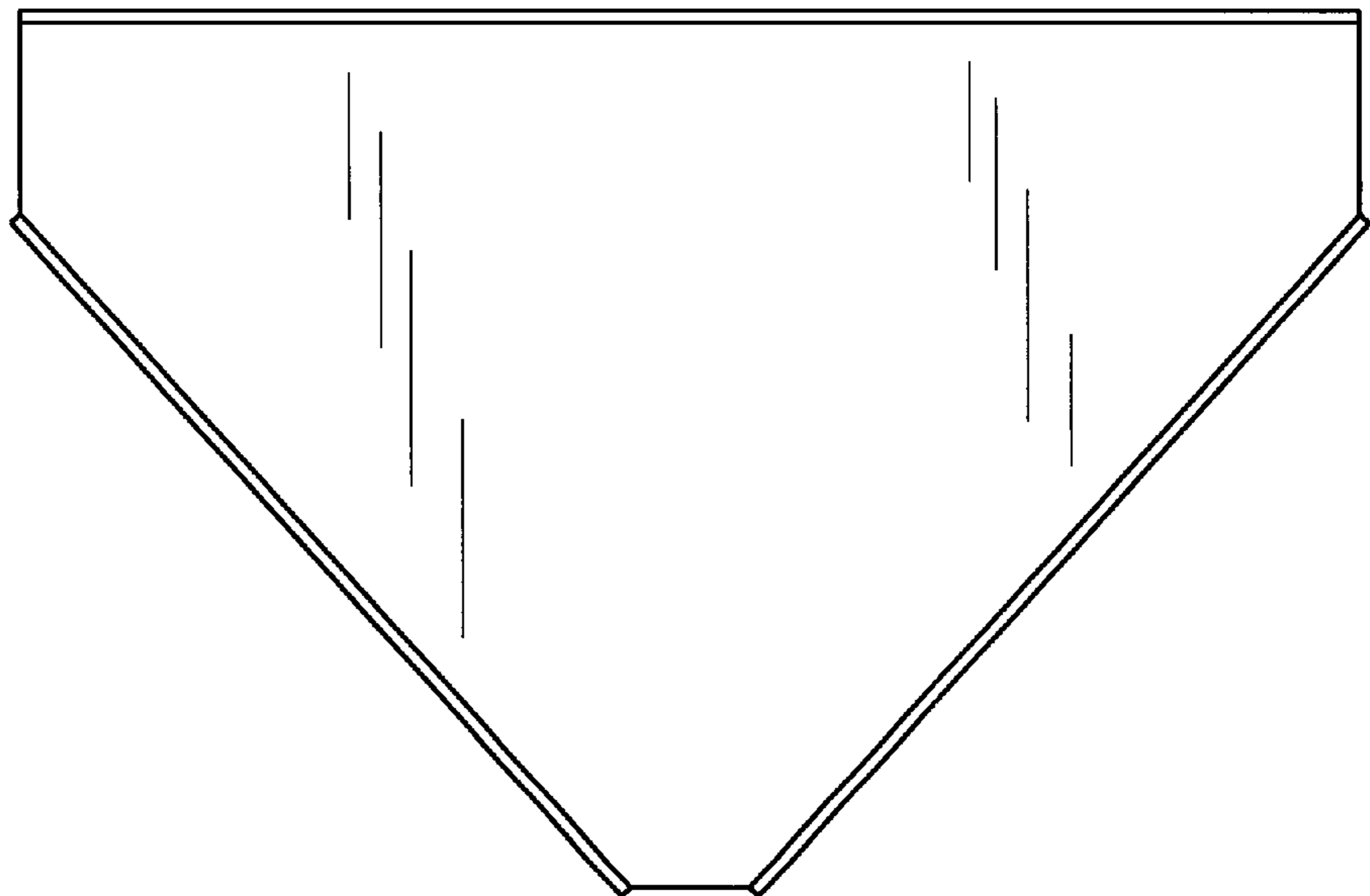


FIG. 2

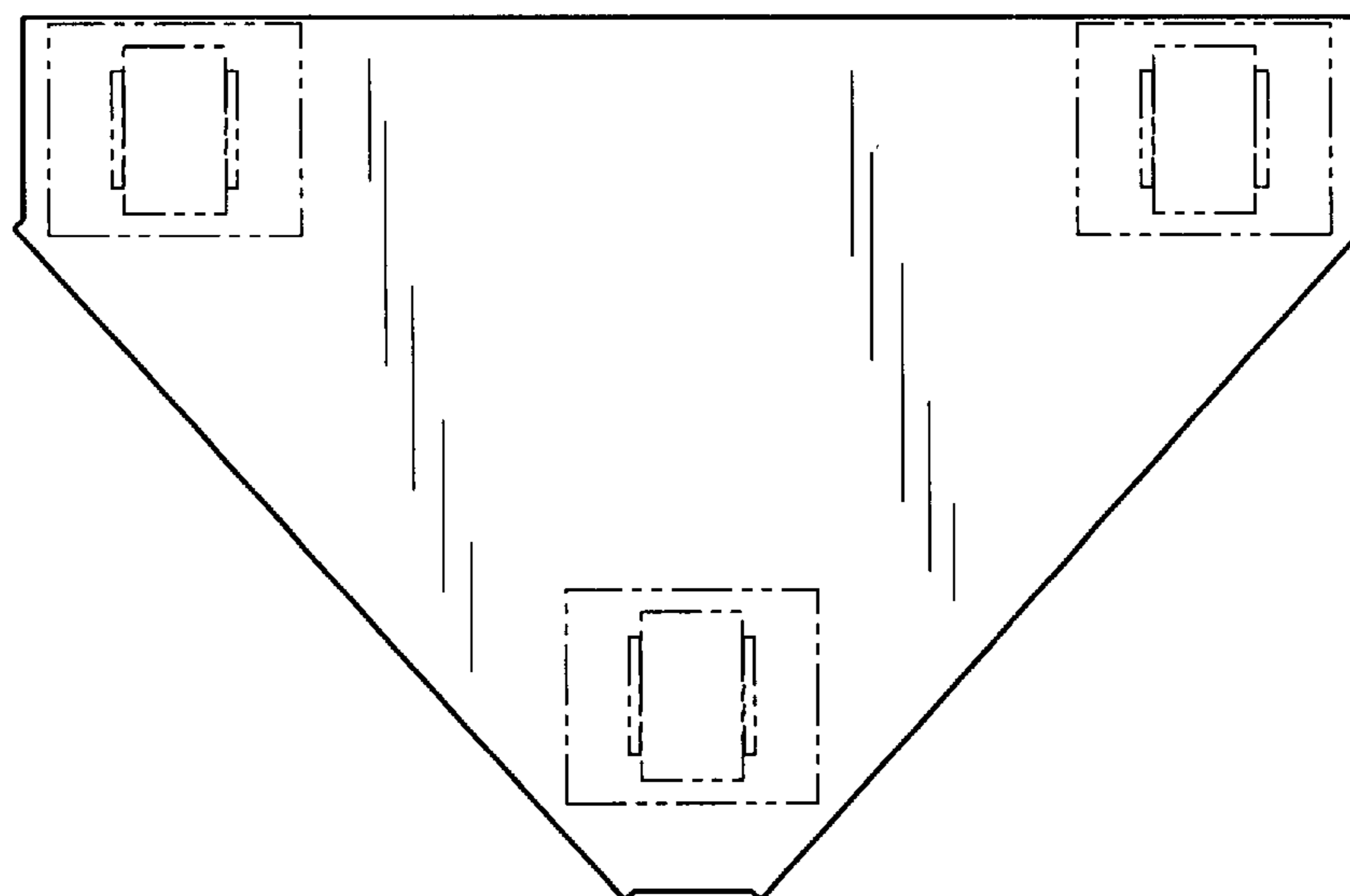


FIG. 3

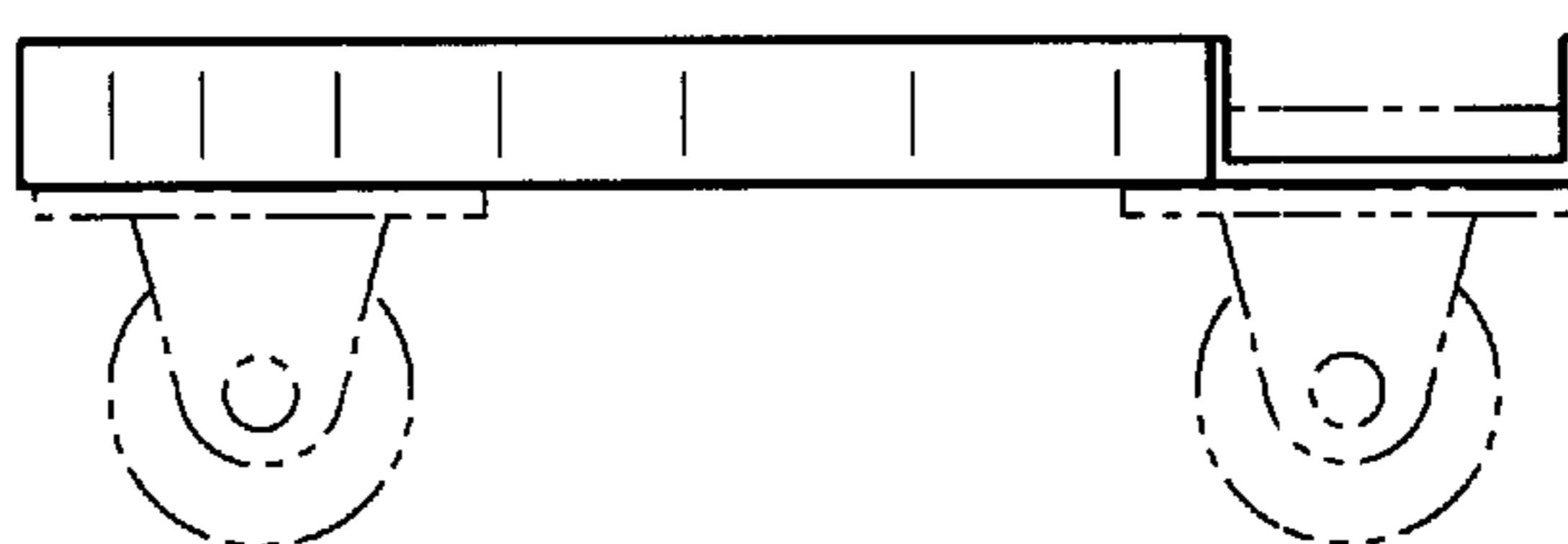


FIG. 4

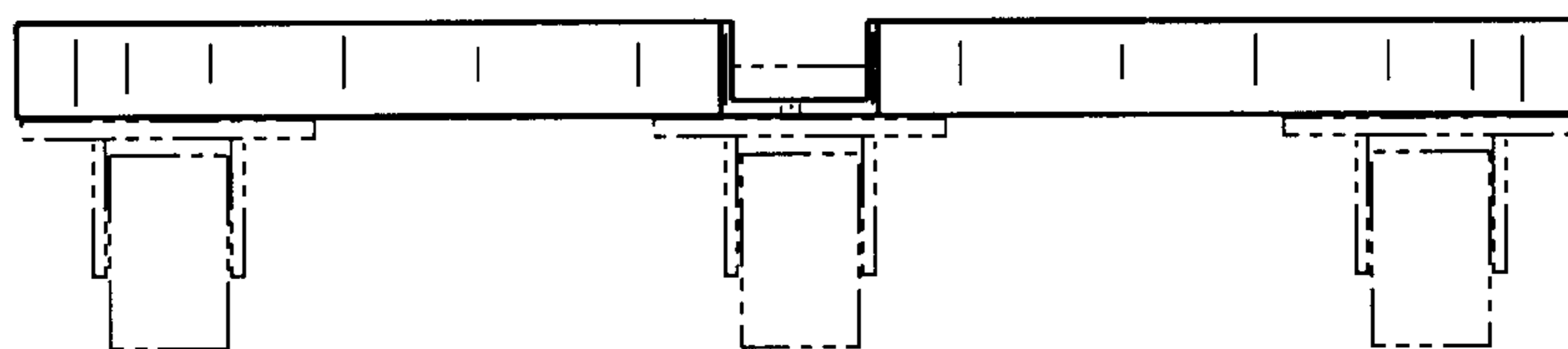


FIG. 5

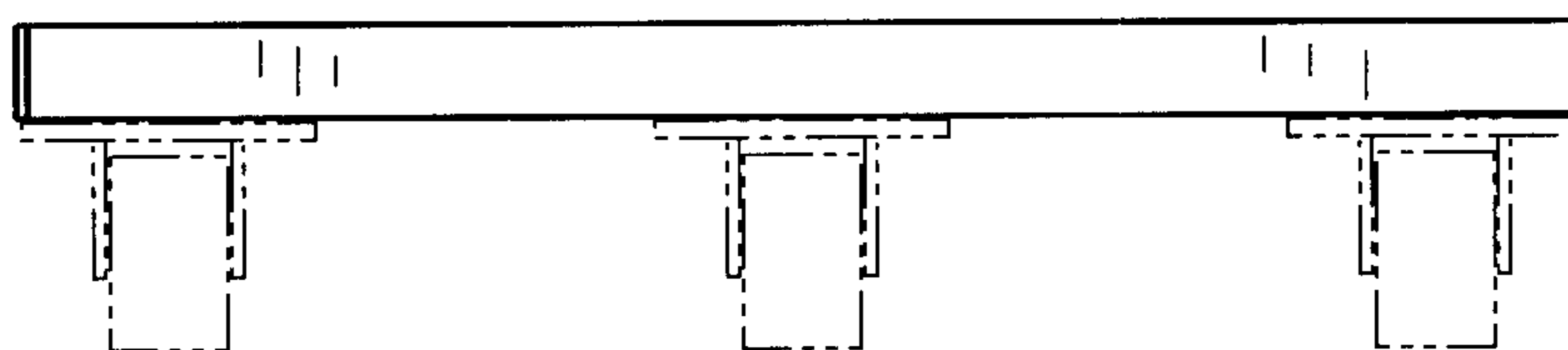


FIG. 6