



US00D472353S

(12) **United States Design Patent**  
**Zahuranec et al.**

(10) **Patent No.:** **US D472,353 S**

(45) **Date of Patent:** **\*\* Mar. 25, 2003**

(54) **BASE UNIT FOR CARPET EXTRACTOR**

(75) Inventors: **Terry L. Zahuranec**, North Olmsted, OH (US); **Brett Latimer**, Mentor, OH (US); **Robert A. Salo**, Mentor, OH (US); **Mark E. Cipolla**, Chardon, OH (US); **Wallace D. Tiller, Jr.**, Stow, OH (US); **Jeffrey M. Kalman**, Cleveland Heights, OH (US); **Craig M. Saunders**, Rocky River, OH (US); **Richard C. Farone**, Willoughby, OH (US); **Robert A. Matousek**, Lakewood, OH (US)

(73) Assignee: **Royal Appliance Mfg. Co.**, Glenwillow, OH (US)

(\*\*) Term: **14 Years**

(21) Appl. No.: **29/135,513**

(22) Filed: **Jan. 12, 2001**

(51) **LOC (7) Cl.** ..... **15-05**

(52) **U.S. Cl.** ..... **D32/31; D32/32**

(58) **Field of Search** ..... **D32/21-22, 32-33, D32/25, 31; 15/398, 364, 400, 42, 320-322, 410, 412, 414, 415.1-422.1, 327.1-327.7, 377, 347, 344, 329**

(56) **References Cited**

**U.S. PATENT DOCUMENTS**

- D358,241 S \* 5/1995 Bradd ..... D32/22
- D385,072 S 10/1997 Bradd
- D387,522 S \* 12/1997 Medema ..... D32/31
- D393,112 S 3/1998 Essex et al.
- 5,784,755 A 7/1998 Karr et al.
- D396,905 S 8/1998 Bradd
- D406,928 S 3/1999 Rowley et al.
- 5,896,617 A 4/1999 Kasen et al.

- D421,164 S \* 2/2000 Luebbering ..... D32/22
- D431,098 S \* 9/2000 Saunders et al. .... D32/31
- D431,887 S \* 10/2000 Bradd et al. .... D32/31
- 6,154,917 A \* 12/2000 Zahuranec et al. .... 15/320
- D439,380 S \* 3/2001 Medema et al. .... D32/22
- D439,384 S \* 3/2001 Medema ..... D32/32

\* cited by examiner

*Primary Examiner*—Ruth McInroy  
(74) *Attorney, Agent, or Firm*—Fay, Sharpe, Fagan, Minnich & McKee, LLP

(57) **CLAIM**

The ornamental design for a base unit for carpet extractor, as shown and described.

**DESCRIPTION**

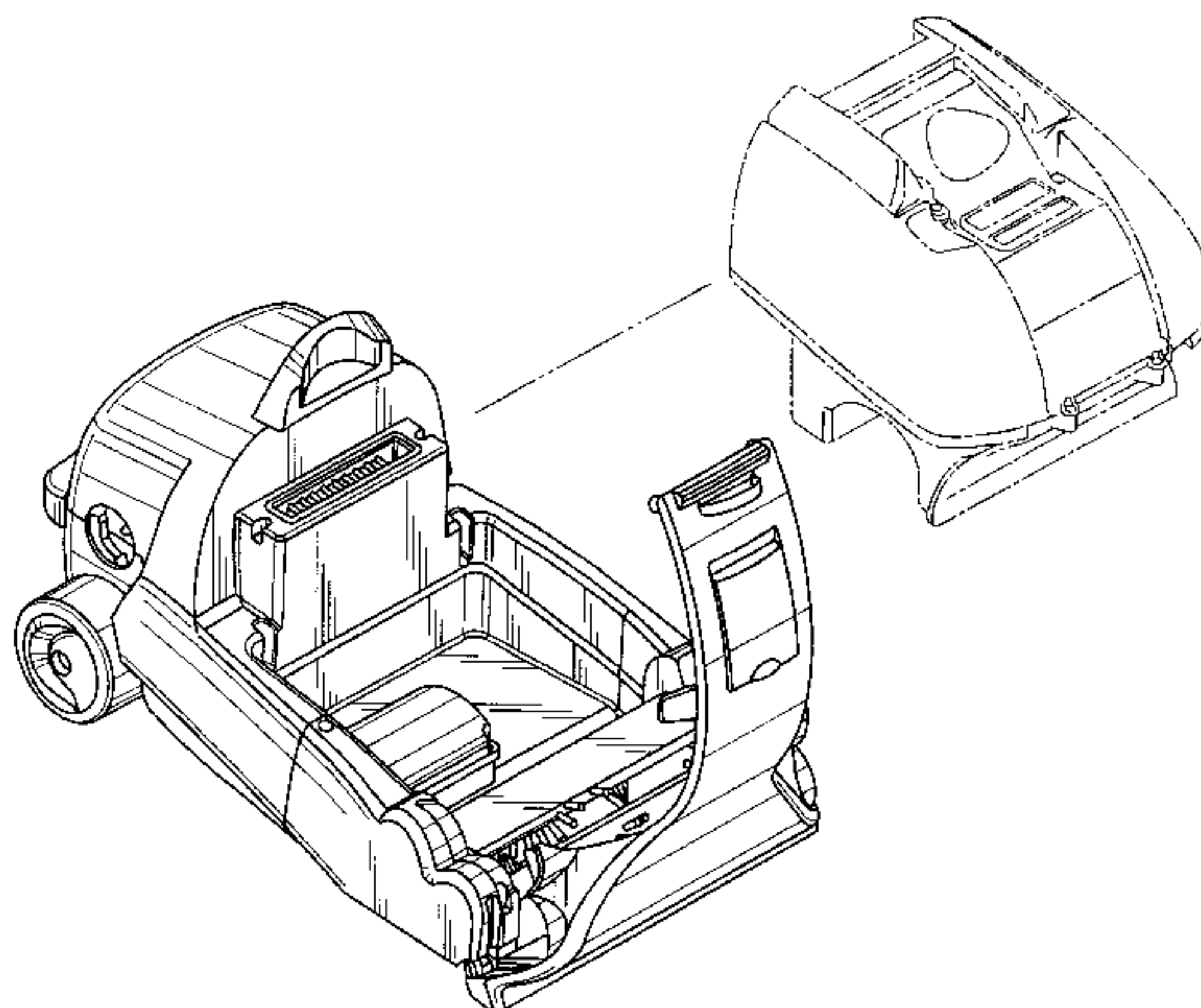
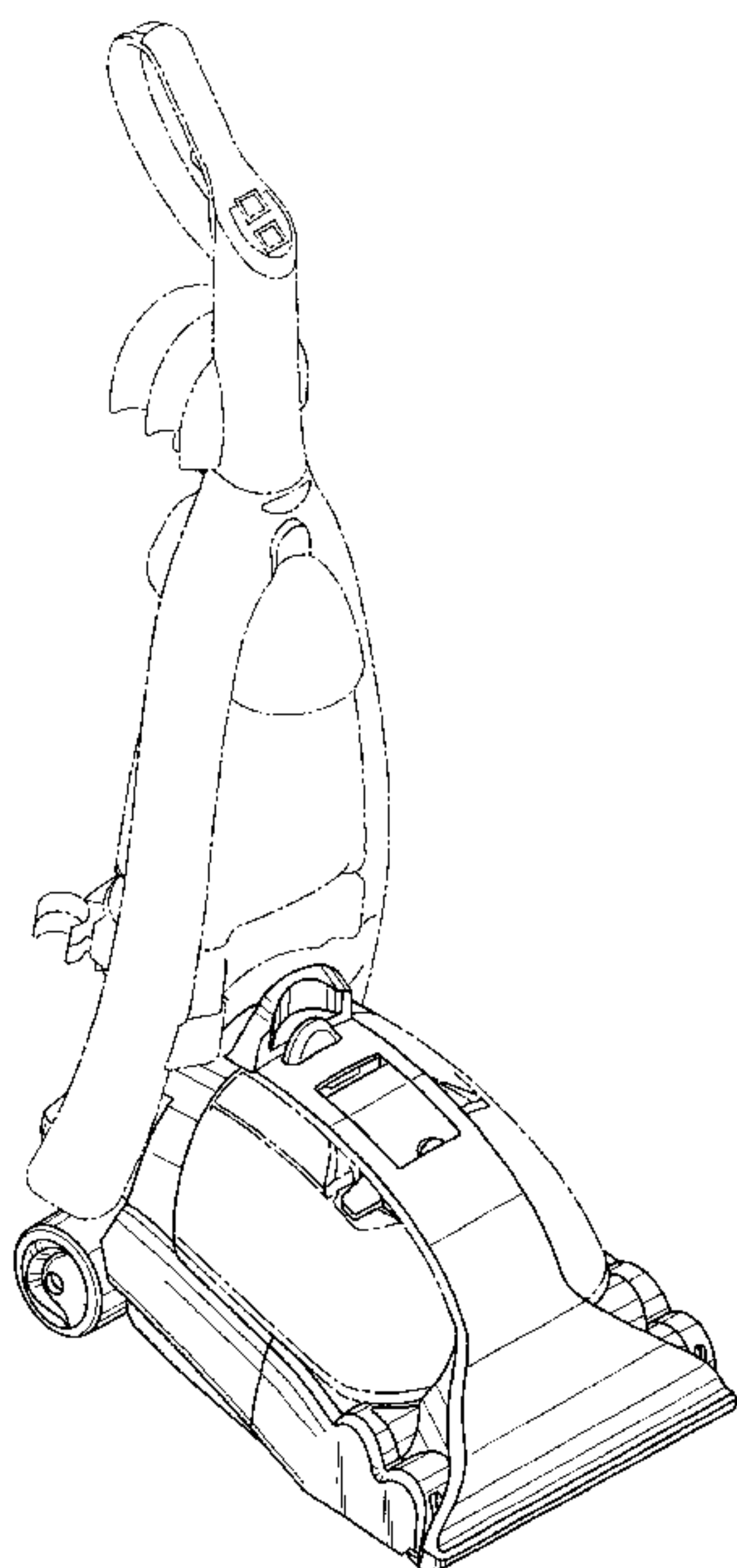
FIG. 1 is a perspective view of a base unit for carpet extractor showing our new design; FIG. 2 is a perspective view thereof; FIG. 3 is a left side elevational view thereof; FIG. 4 is a front elevational view thereof; FIG. 5 is a right side elevational view thereof; FIG. 6 is a rear elevational view thereof; FIG. 7 is a top plan view thereof; FIG. 8 is a bottom plan view thereof; and, FIG. 9 is a perspective view thereof with a nozzle portion shown in a raised position to allow removal of a recovery tank from the base unit.

While portions of the base unit are not visible in FIG. 1, the entire base unit is shown in FIG. 2.

The carpet extractor parts shown in broken lines in FIGS. 1 and 9 are shown for illustrative purposes only and form no part of the claimed design.

The portions of the interior details not completely shown in FIG. 9 form no part of the claimed design.

**1 Claim, 6 Drawing Sheets**



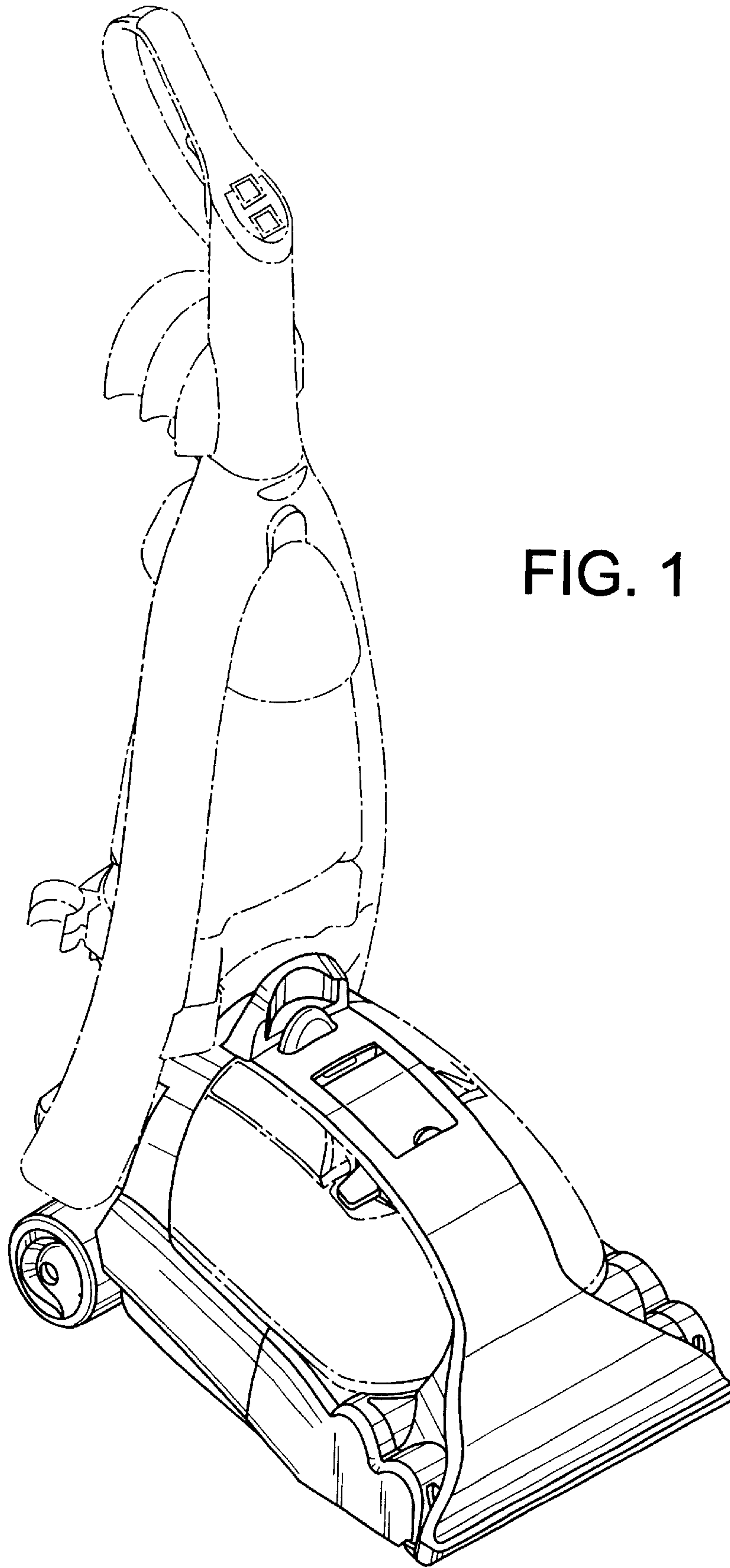


FIG. 1

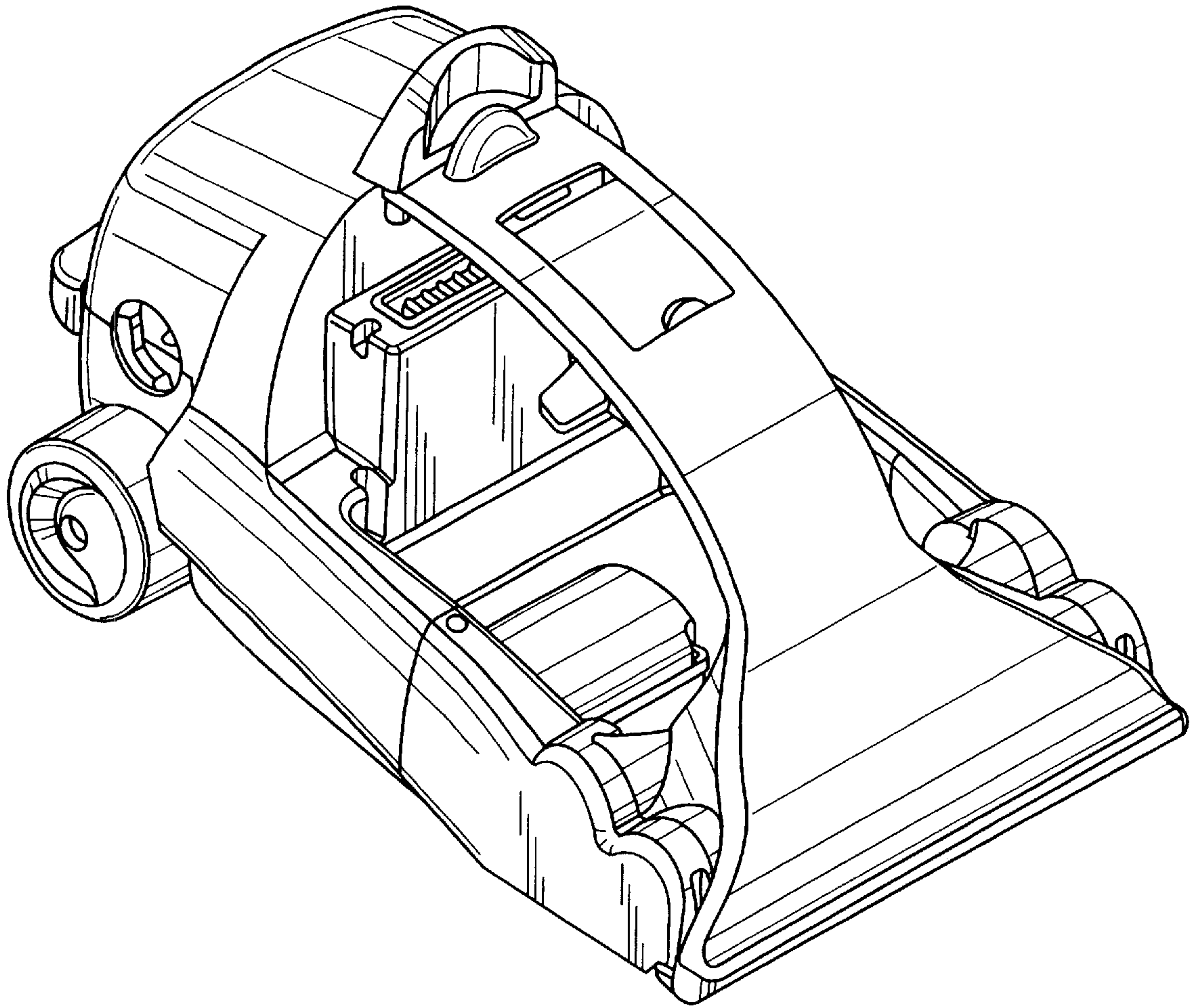


FIG. 2



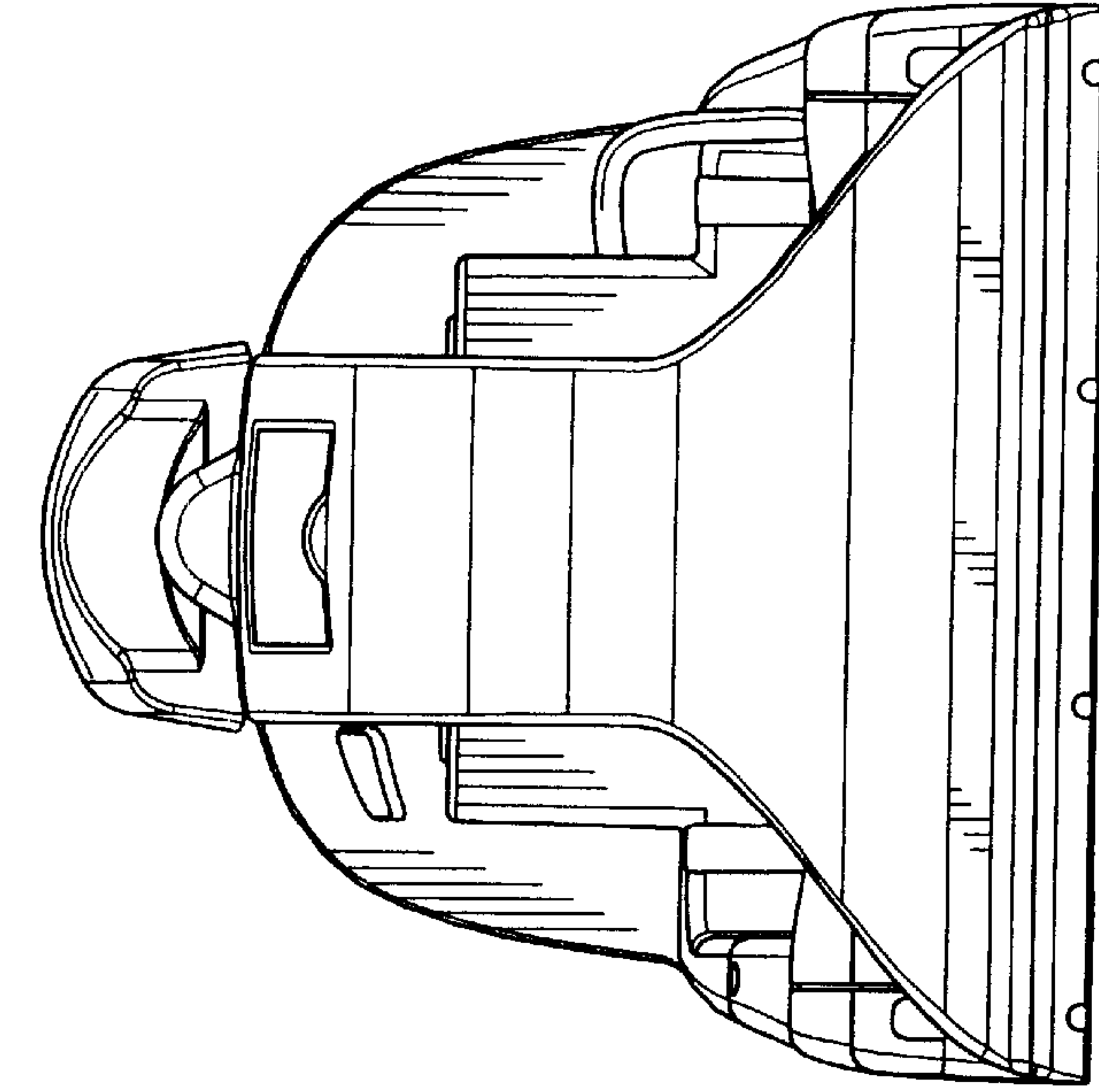


FIG. 4

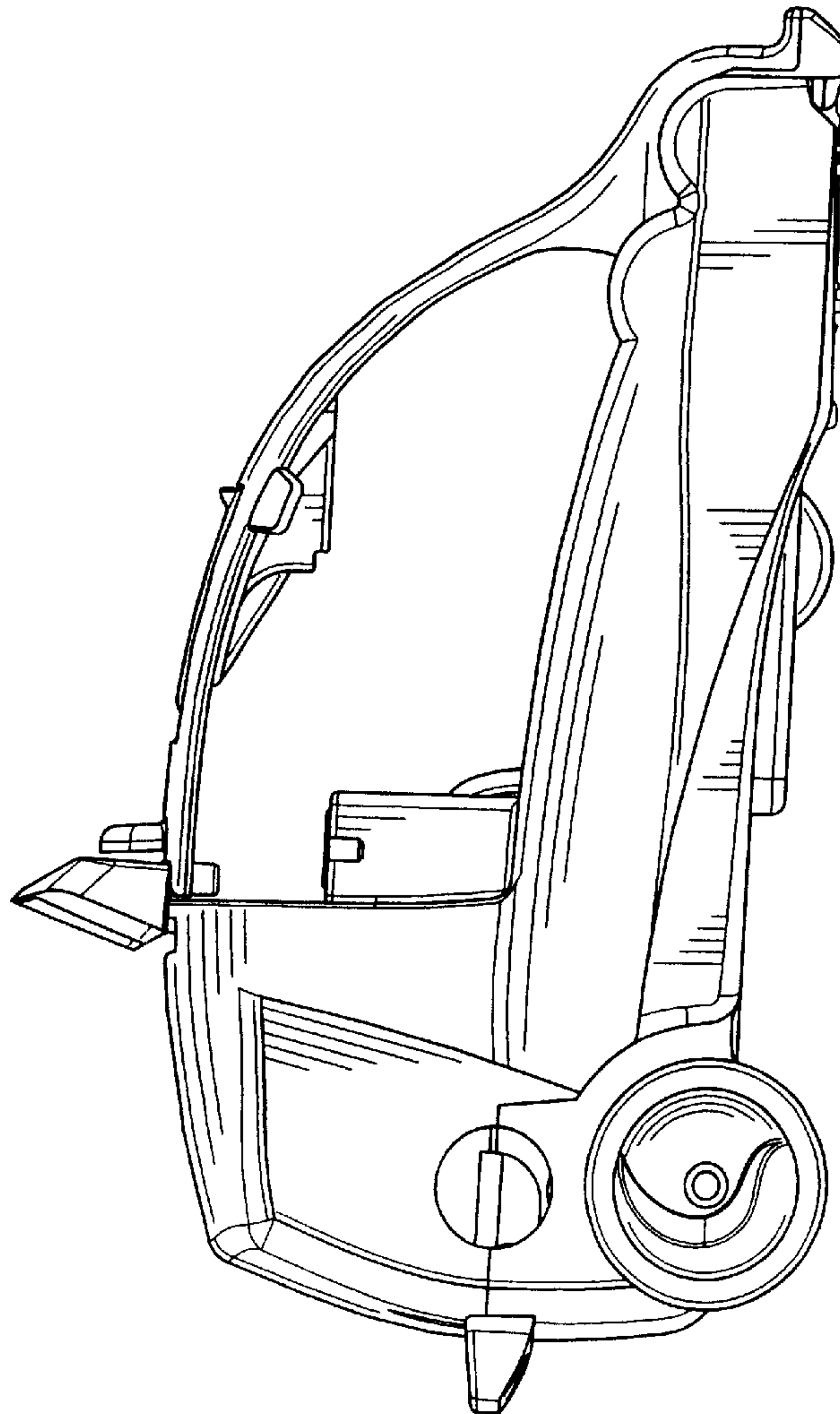


FIG. 3

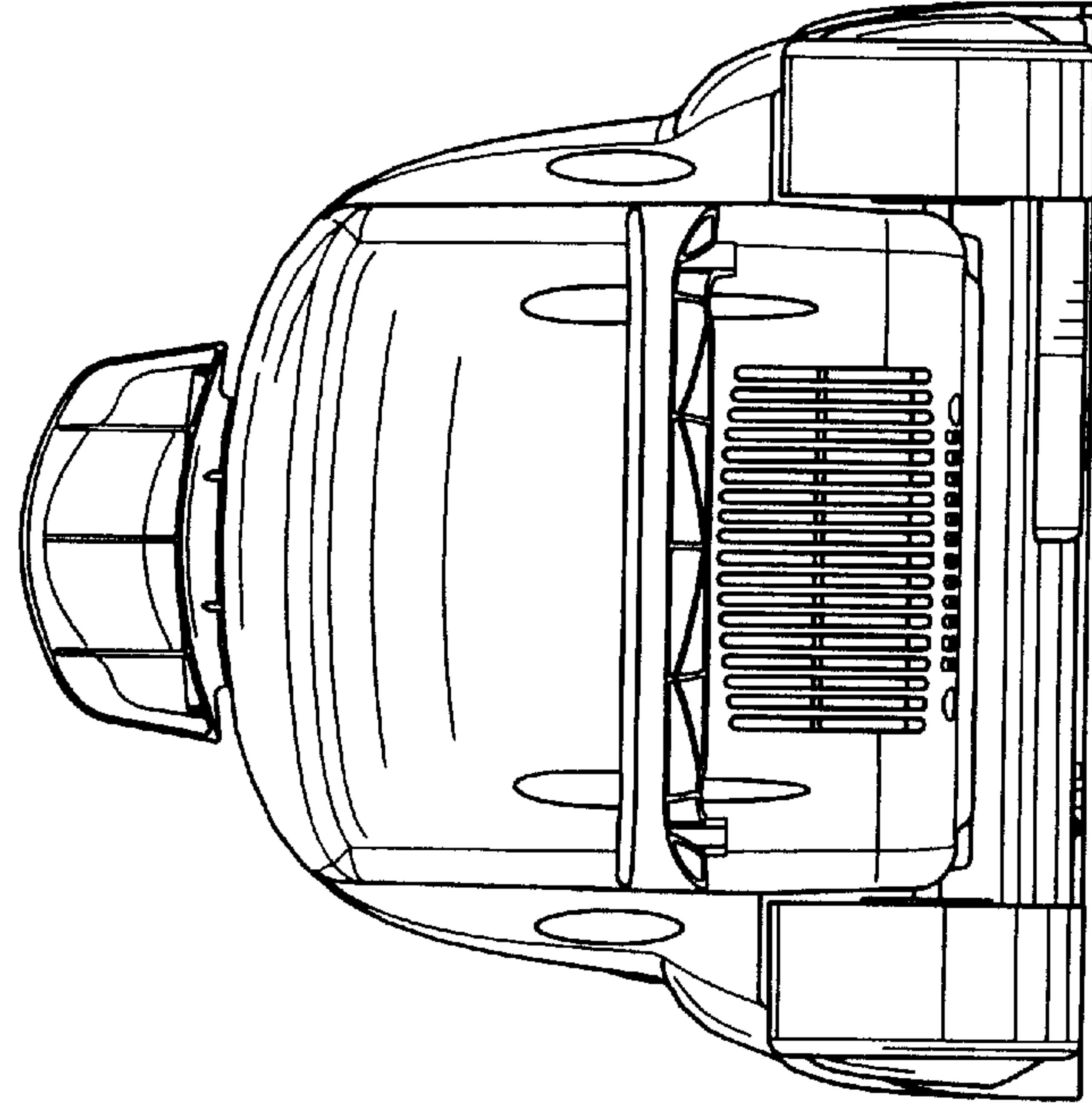


FIG. 6

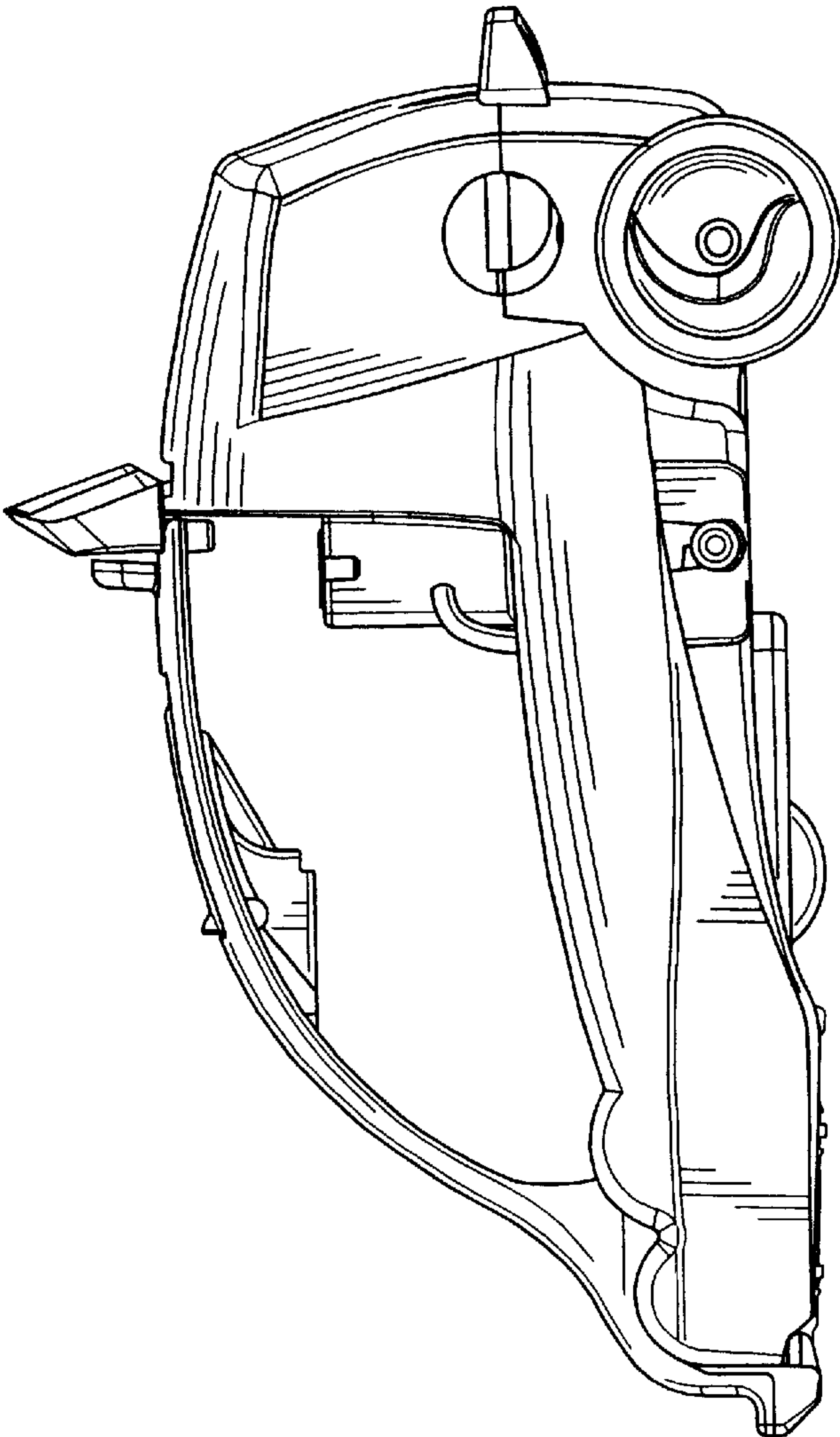


FIG. 5

FIG. 7

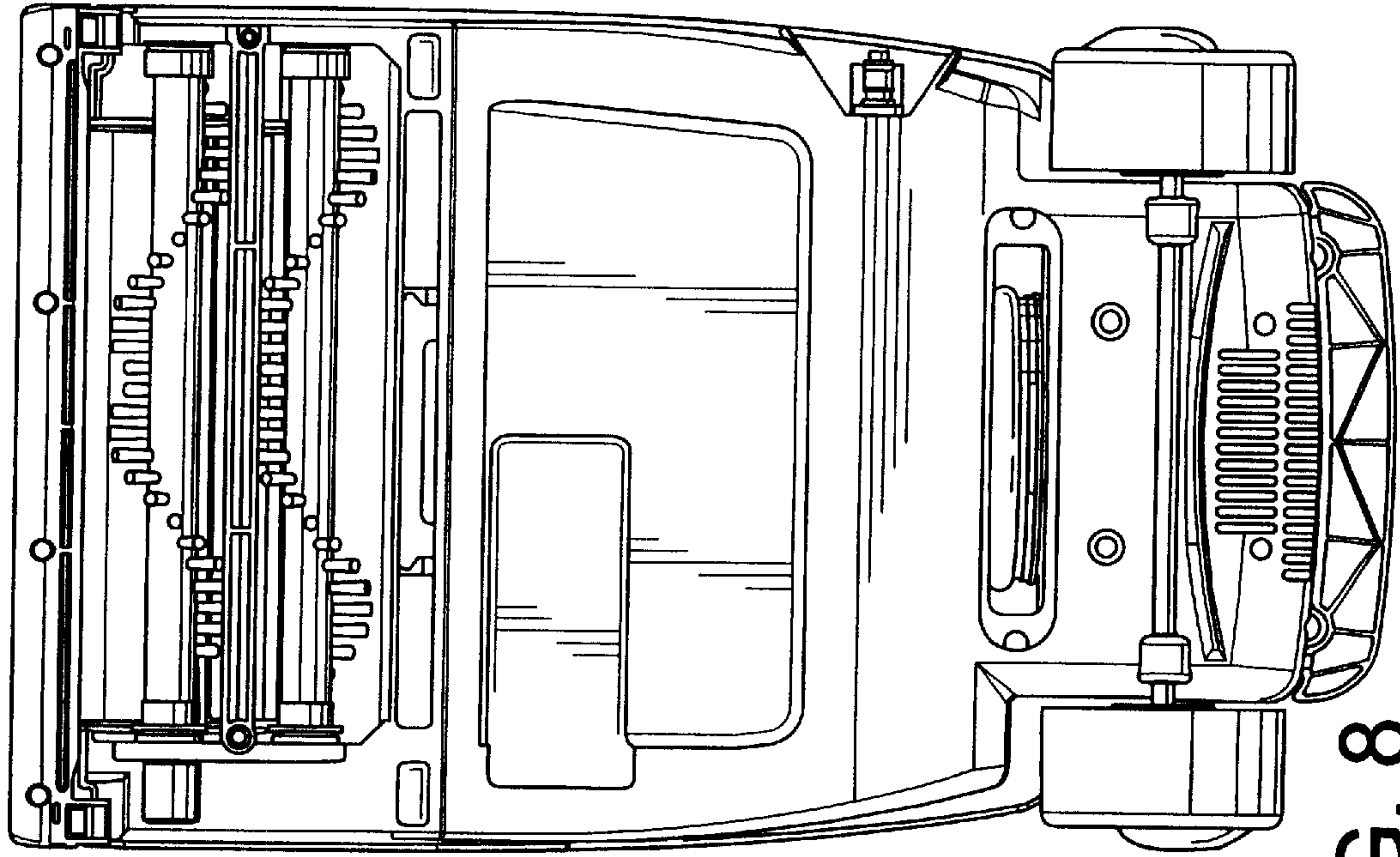
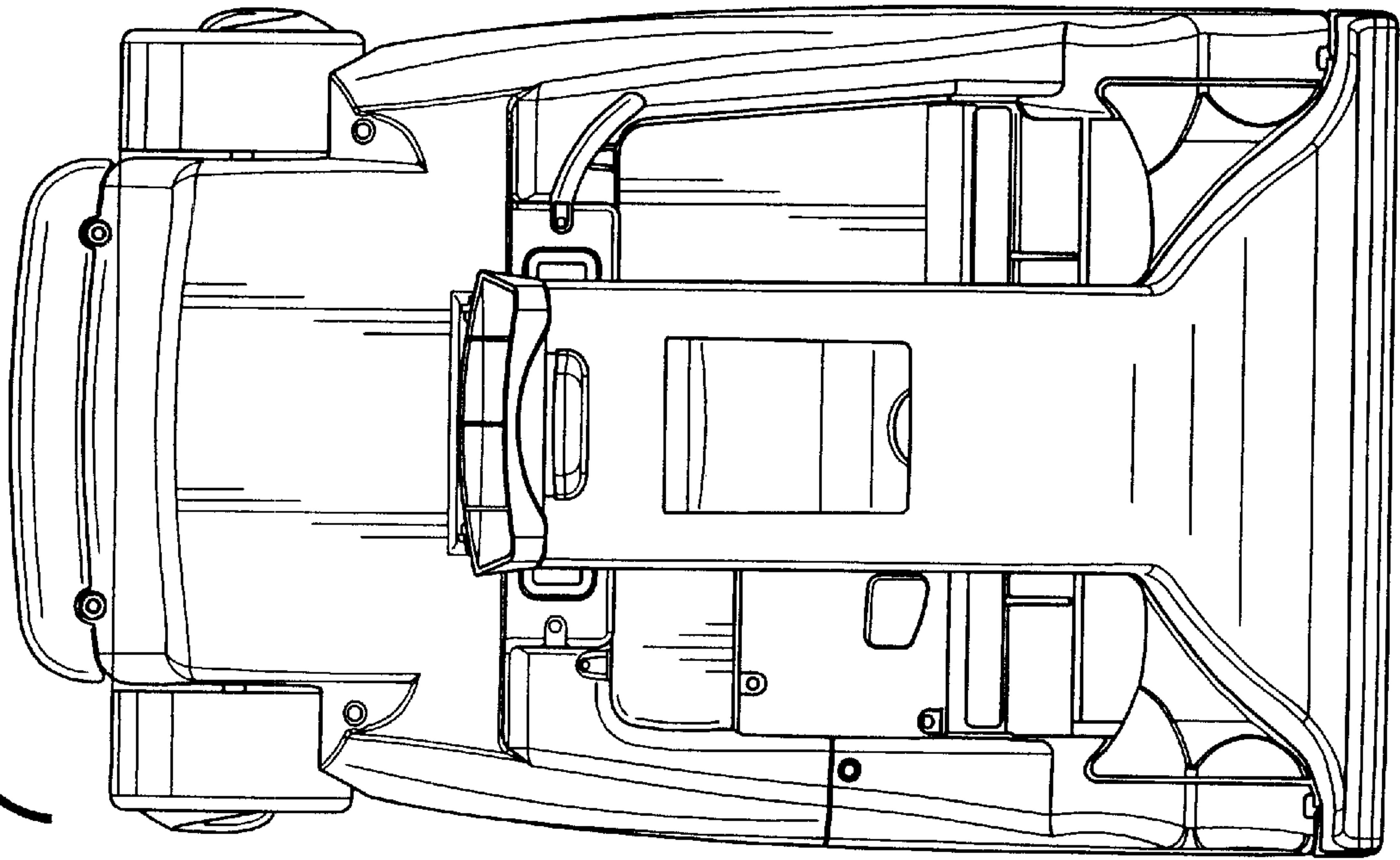


FIG. 8

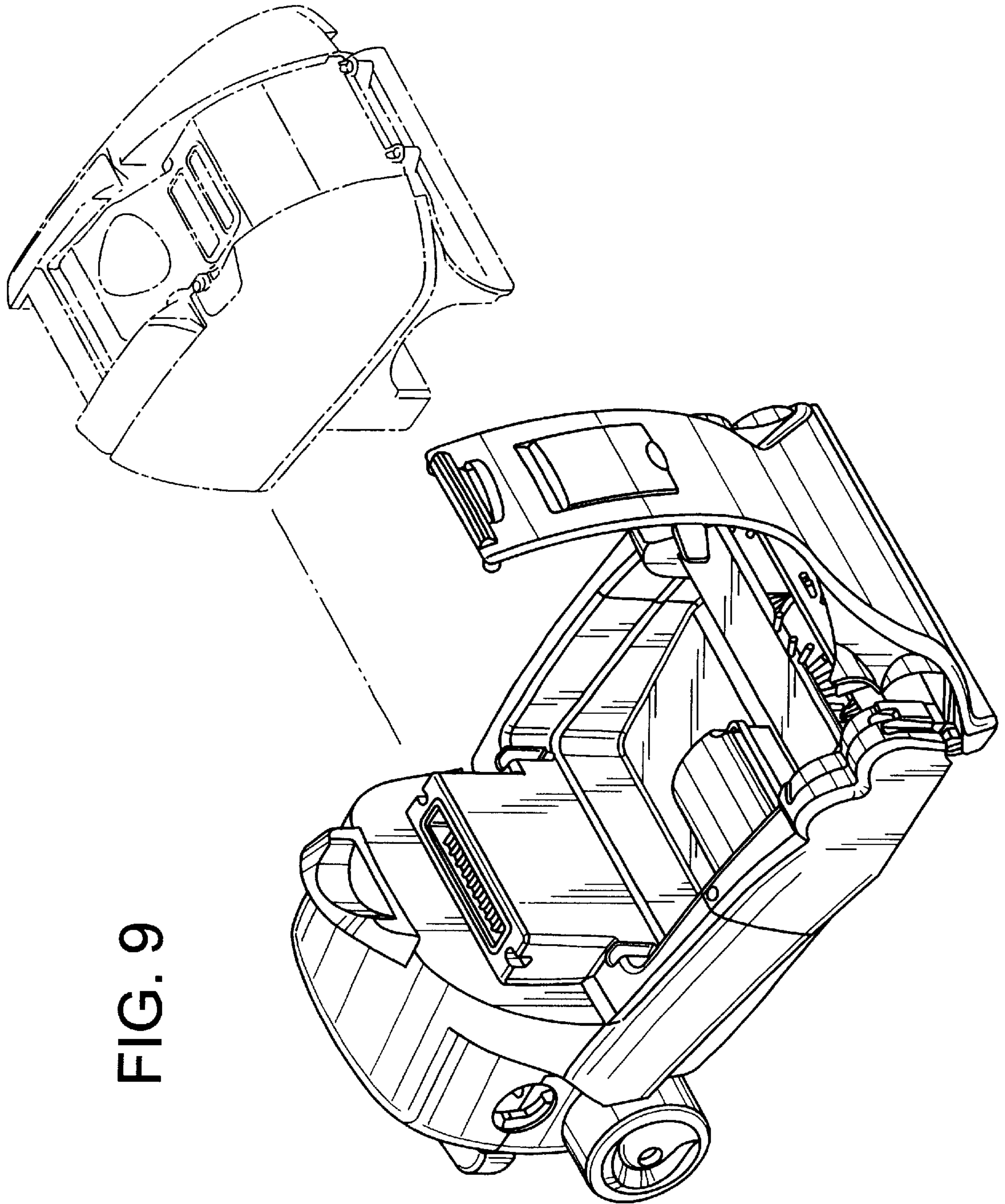


FIG. 9