



US00D472347S

(12) **United States Design Patent**
Stout et al.

(10) **Patent No.:** **US D472,347 S**

(45) **Date of Patent:** **** Mar. 25, 2003**

(54) **HAIR HOLDER**

(75) Inventors: **Jeffrey T. Stout**, Smyrna, GA (US);
Randall G. Beffrey, Knoxville, TN (US)

(73) Assignee: **Tymco, Inc.**, Knoxville, TN (US)

(**) Term: **14 Years**

(21) Appl. No.: **29/167,297**

(22) Filed: **Sep. 11, 2002**

(51) **LOC (7) Cl.** **28-03**

(52) **U.S. Cl.** **D28/32**

(58) **Field of Search** D28/39, 41, 32,
D28/33, 21, 31; 132/160, 219, 144, 146,
149, 273, 276, 280, 281-284

(56) **References Cited**

U.S. PATENT DOCUMENTS

D51,625 S * 12/1917 Alexis D28/31
D63,271 S * 11/1923 Spill D28/32

D67,703 S * 6/1925 Jacobs D28/41
D67,704 S * 6/1925 Jacobs D28/41
2,187,939 A * 1/1940 Holden 132/160
D367,544 S * 2/1996 Bozak D28/31

* cited by examiner

Primary Examiner—Lucy Lieberman

(74) *Attorney, Agent, or Firm*—Bracewell & Patterson LLP

(57) **CLAIM**

The ornamental design for a hair holder, as shown and described.

DESCRIPTION

FIG. 1 is a front perspective view of a hair holder showing our new design;
FIG. 2 is a front elevation thereof;
FIG. 3 is a top plan view thereof;
FIG. 4 is a rear elevation thereof;
FIG. 5 is a bottom plan view thereof;
FIG. 6 is a left side elevation thereof; and,
FIG. 7 is a right side elevation thereof.

1 Claim, 4 Drawing Sheets

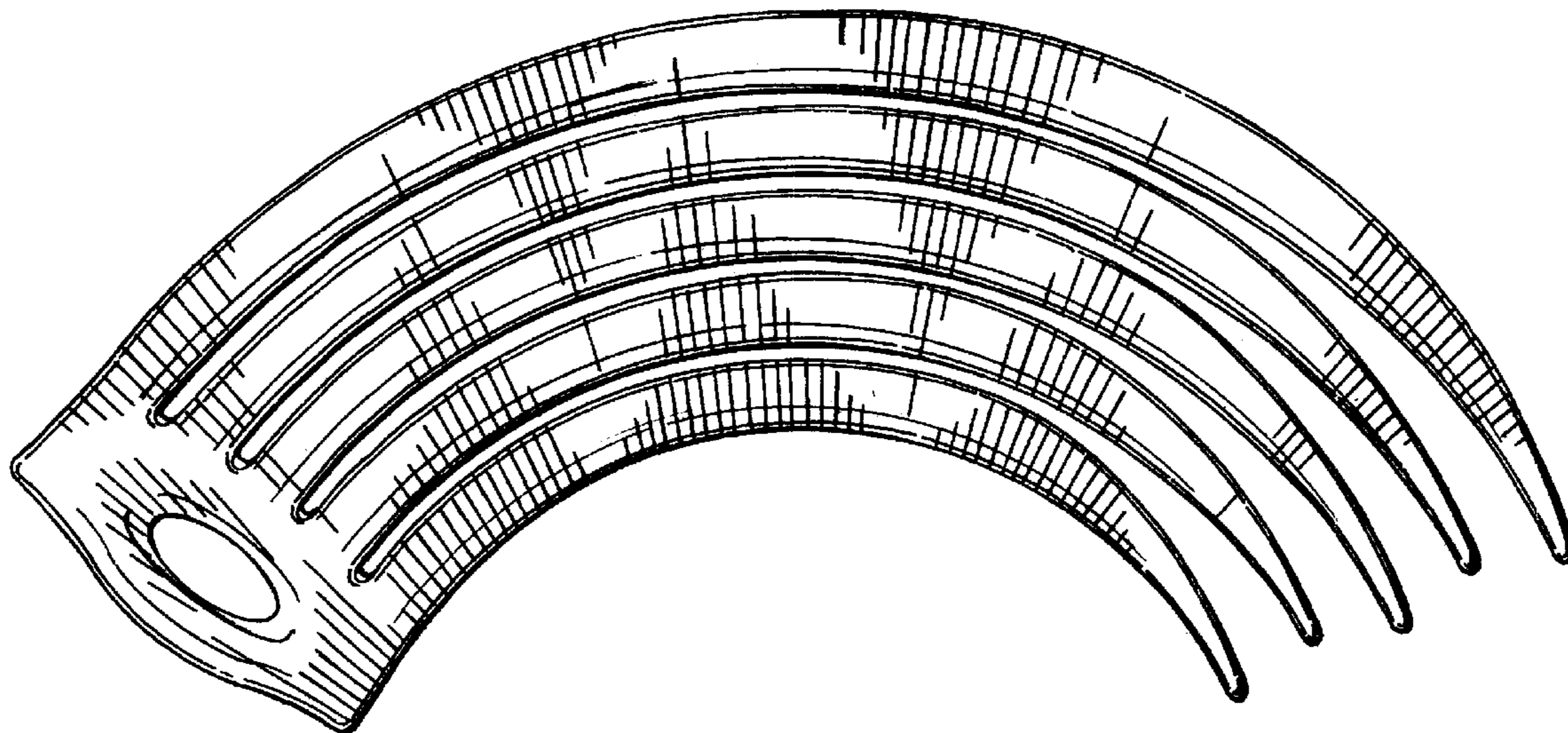
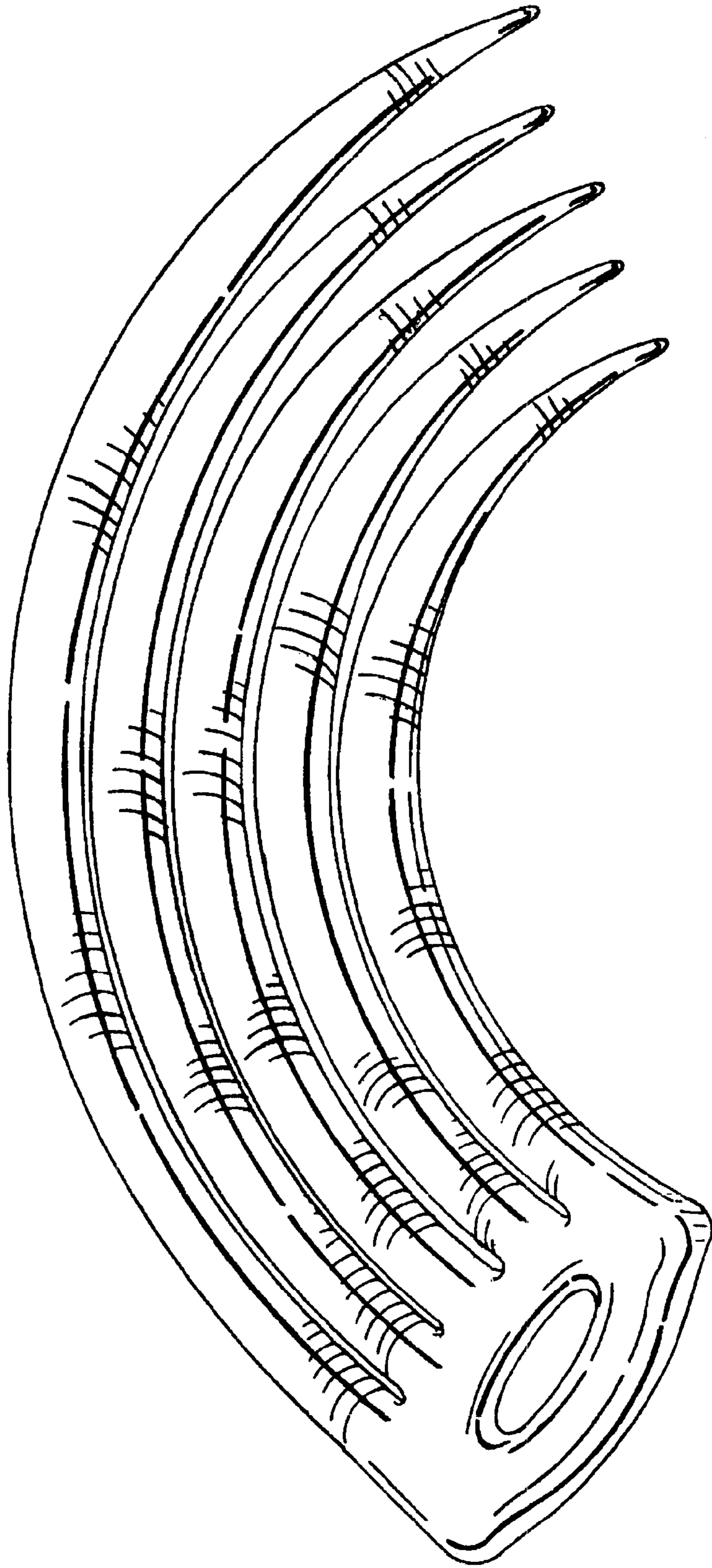


FIG. 1.



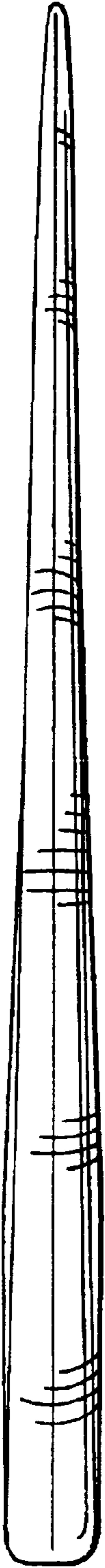


FIG. 3.

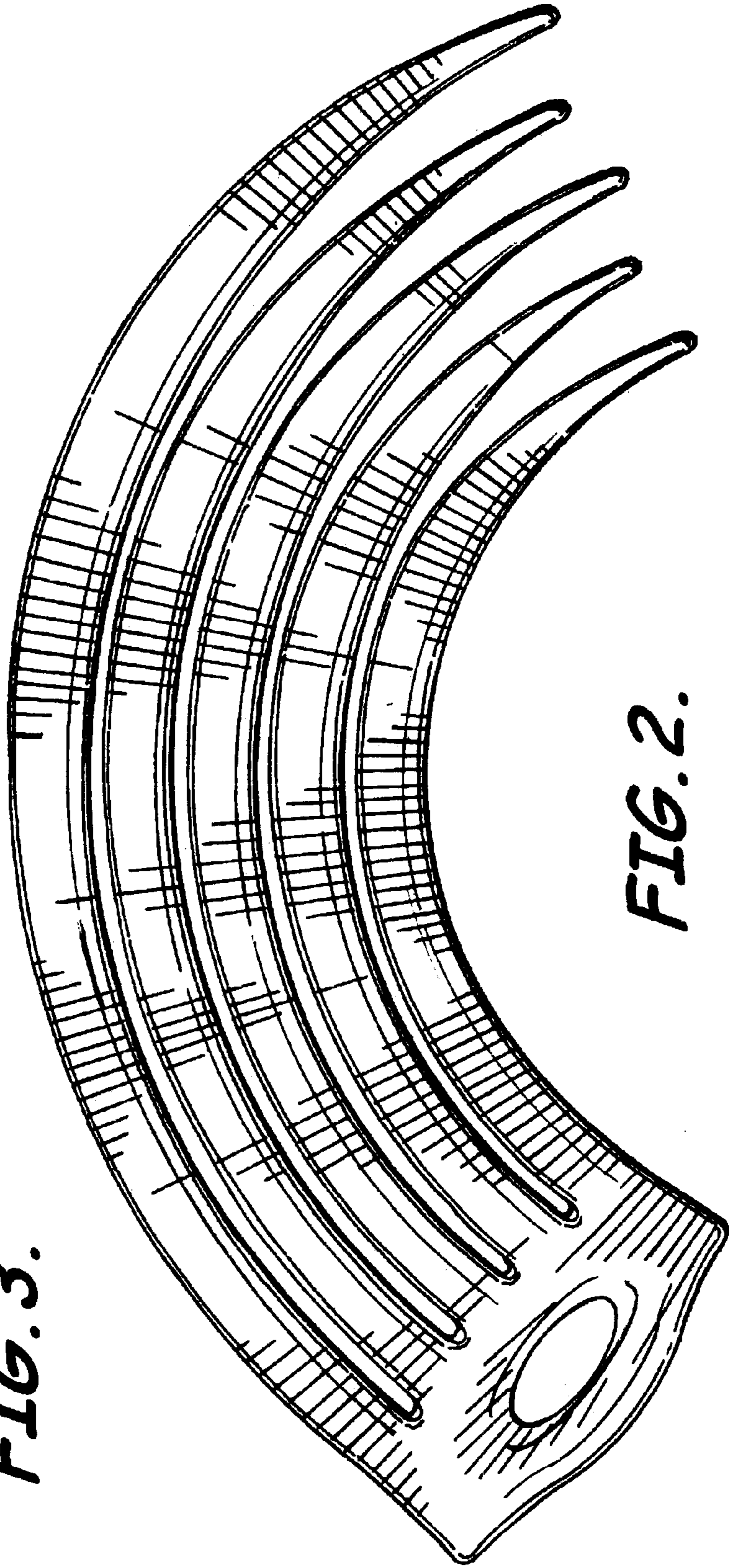


FIG. 2.

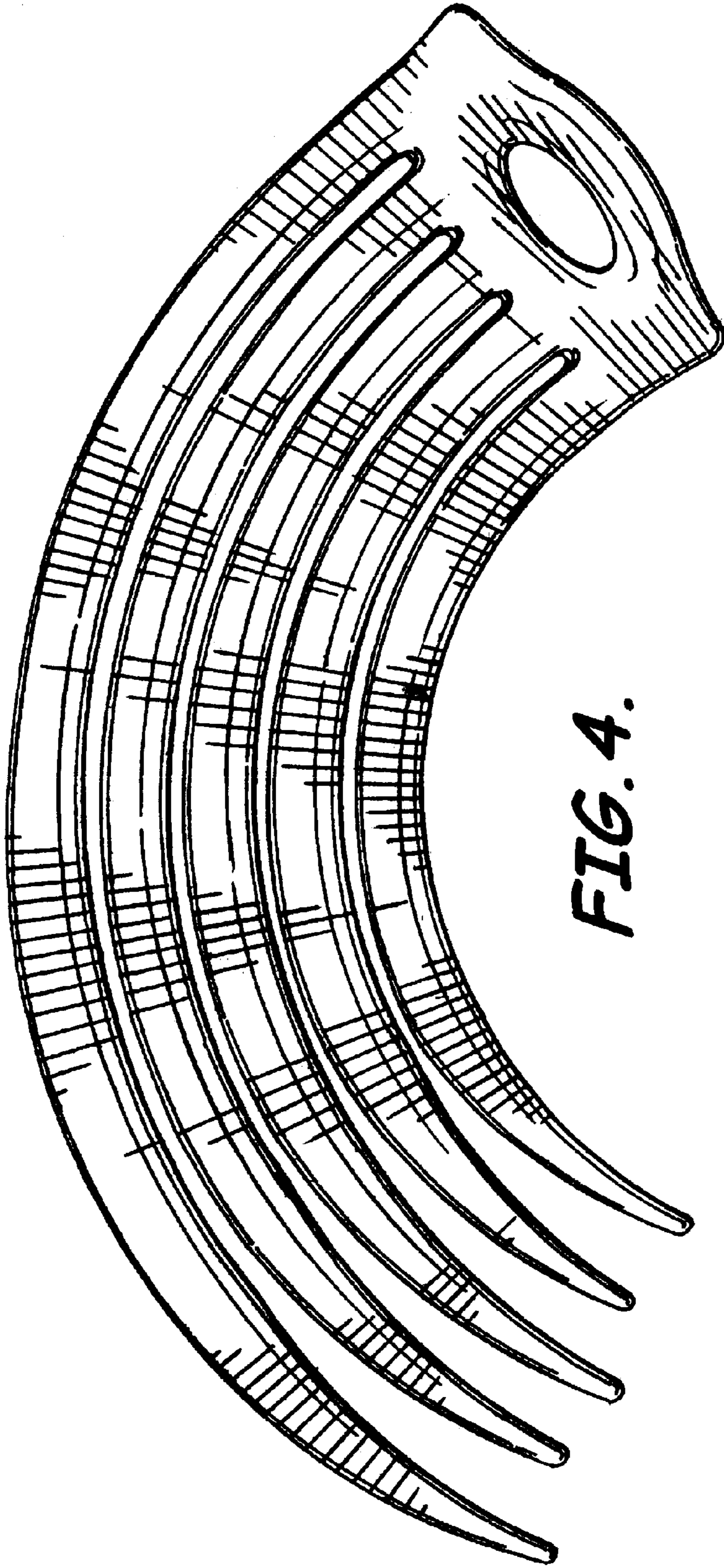


FIG. 4.

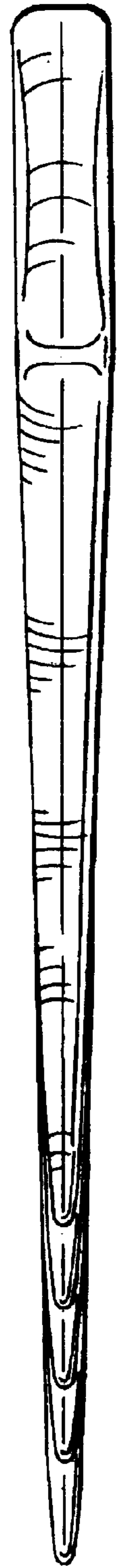


FIG. 5.

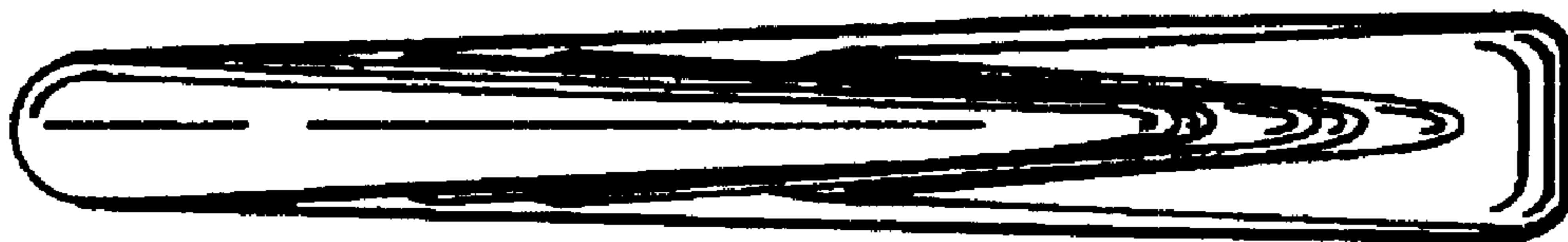


FIG. 7.

FIG. 6.

