



US00D472346S

(12) **United States Design Patent**  
**Lee**

(10) **Patent No.:** **US D472,346 S**

(45) **Date of Patent:** **\*\* Mar. 25, 2003**

(54) **COMB**

(76) Inventor: **Youth Lee**, 8F-1, No. 69, Sec. 1,  
Hang-Chou S. Road, Wen-Pei Li,  
Chung-Cheng Area, Taipei City (TW)

(\*\*) Term: **14 Years**

(21) Appl. No.: **29/163,191**

(22) Filed: **Jul. 1, 2002**

(51) **LOC (7) Cl.** ..... **28-03**

(52) **U.S. Cl.** ..... **D28/24; D28/25; D28/30**

(58) **Field of Search** ..... **D28/21, 24, 25,**  
**D28/30, 7; D4/114, 116, 100, 134, 136;**  
**132/112-116, 219, 119.1, 110, 118, 150-152,**  
**147, 148, 117, 159**

(56) **References Cited**

**U.S. PATENT DOCUMENTS**

1,055,948	A	*	3/1913	Scott	.....	132/117
1,566,886	A	*	12/1925	Lillie	.....	132/112
1,645,038	A	*	10/1927	Borer	.....	132/150
1,903,646	A	*	4/1933	Jameson	.....	132/114

2,603,223	A	*	7/1952	Jefferson	.....	132/150
3,386,453	A	*	6/1968	Roberts et al.	.....	132/119.1
D263,001	S	*	2/1982	Wistrand	.....	D28/25
5,915,391	A	*	6/1999	Revil	.....	132/119.1
D461,281	S	*	8/2002	Lee	.....	D28/24

\* cited by examiner

*Primary Examiner*—Lucy Lieberman

(74) *Attorney, Agent, or Firm*—Birch, Stewart, Kolasch & Birch, LLP

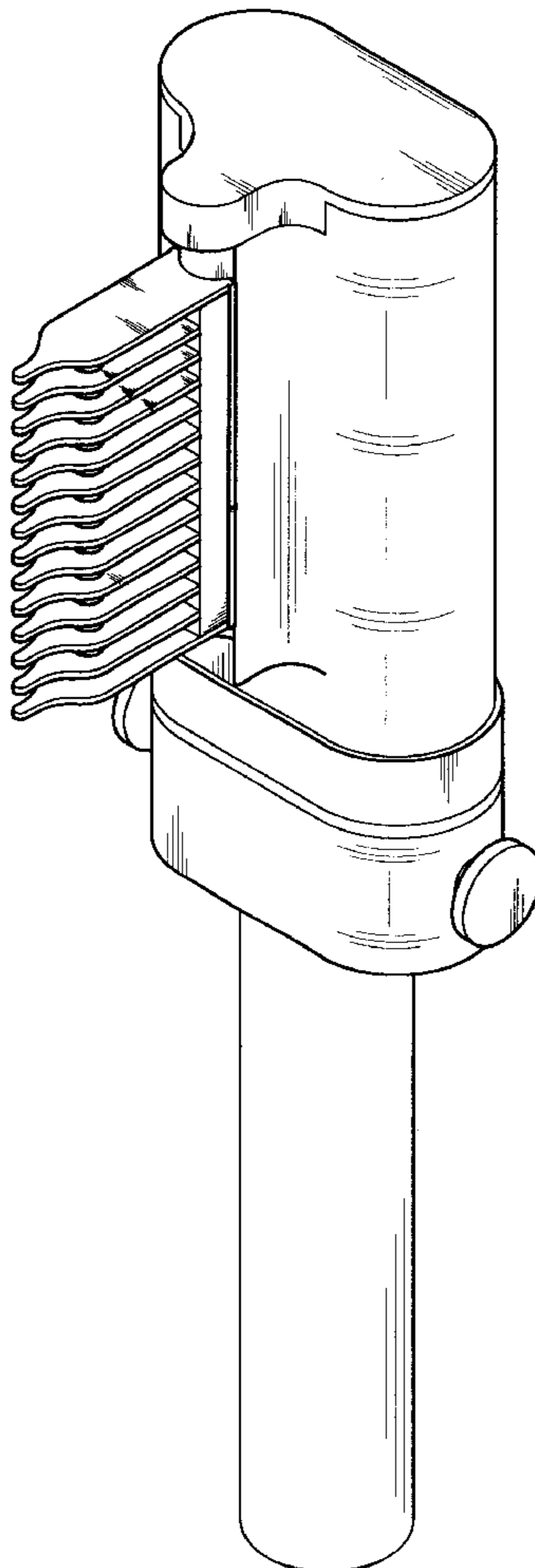
(57) **CLAIM**

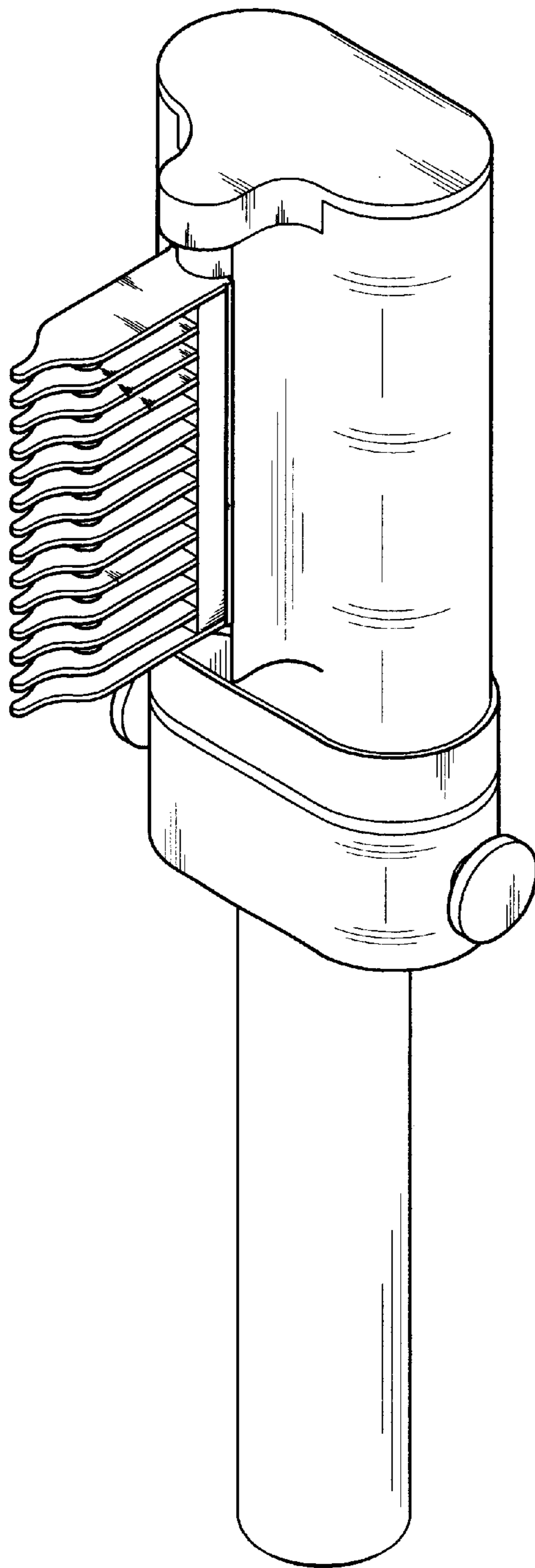
The ornamental design for a comb, as shown and described.

**DESCRIPTION**

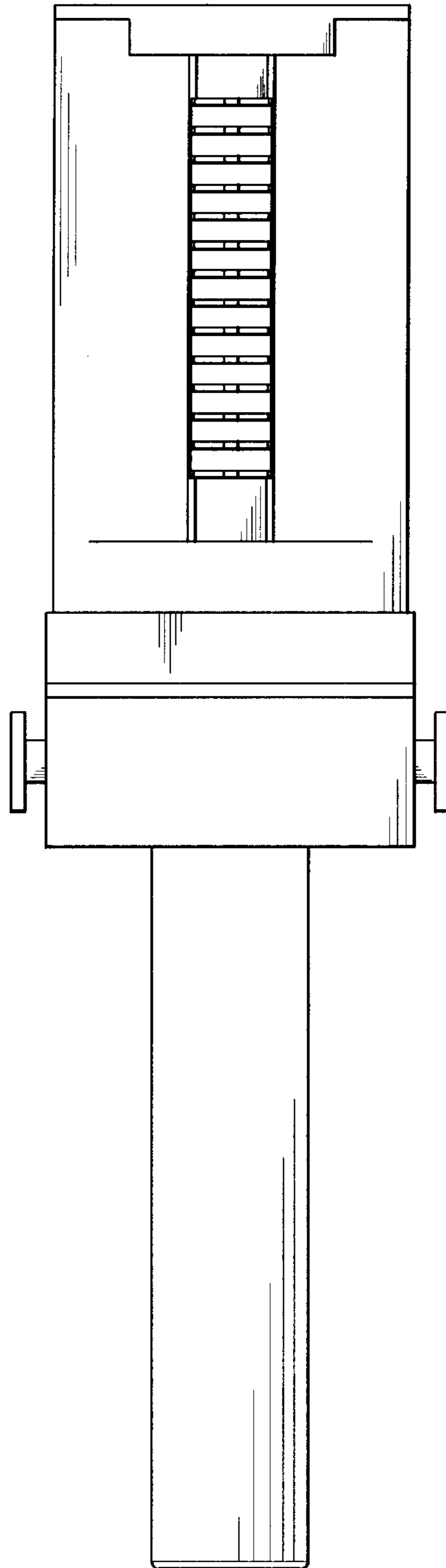
FIG. 1 is a perspective view of a comb showing may new design;  
FIG. 2 is a front elevational view thereof;  
FIG. 3 is a rear elevational view thereof;  
FIG. 4 is a left side elevational view thereof;  
FIG. 5 is right side elevational view thereof;  
FIG. 6 is a top view thereof; and,  
FIG. 7 is a bottom view thereof.

**1 Claim, 7 Drawing Sheets**

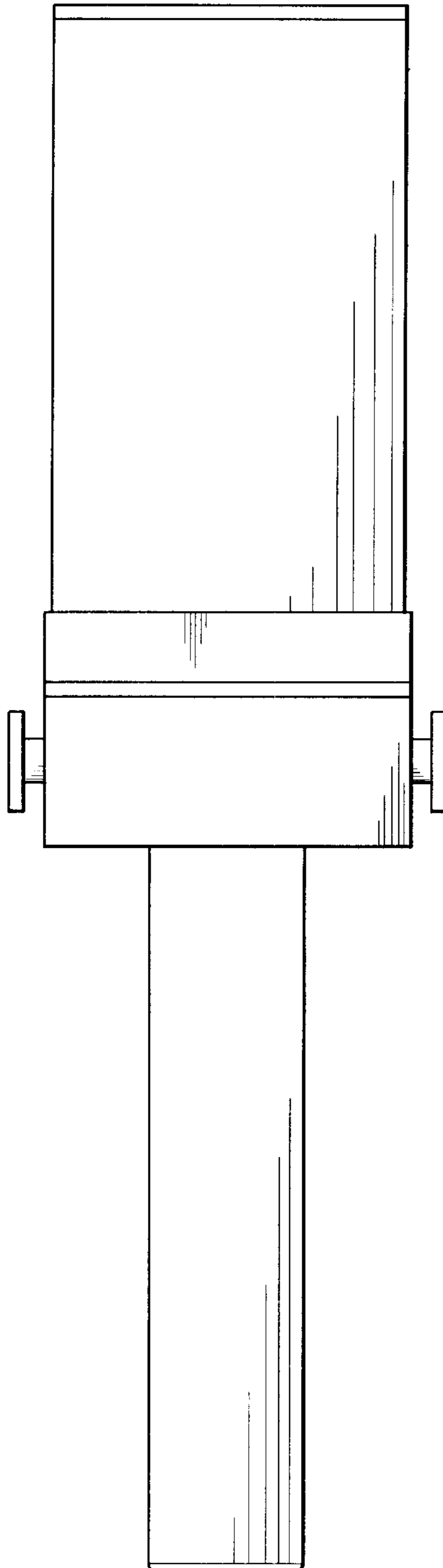




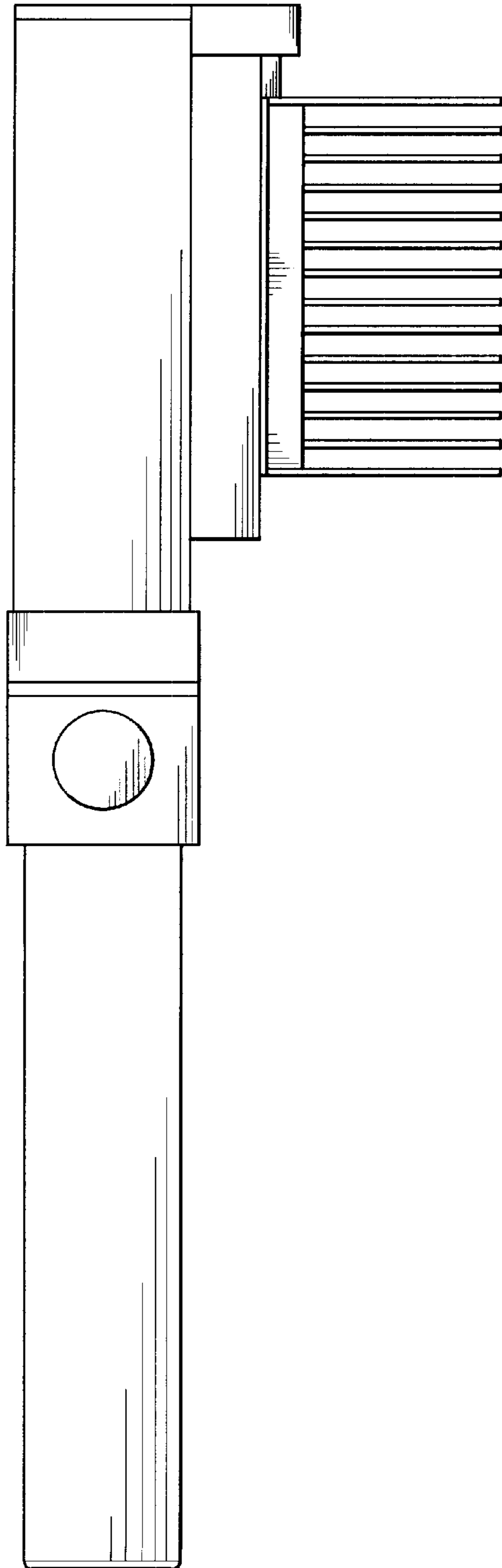
**FIG. 1**



**FIG. 2**



**FIG. 3**



**FIG. 4**

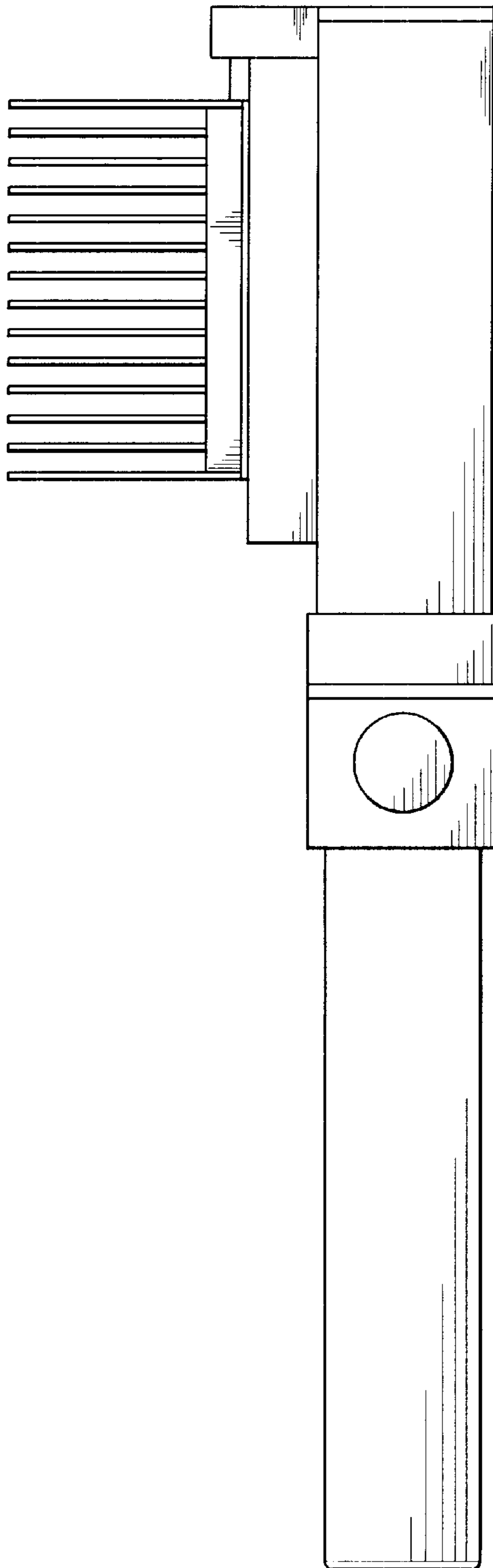
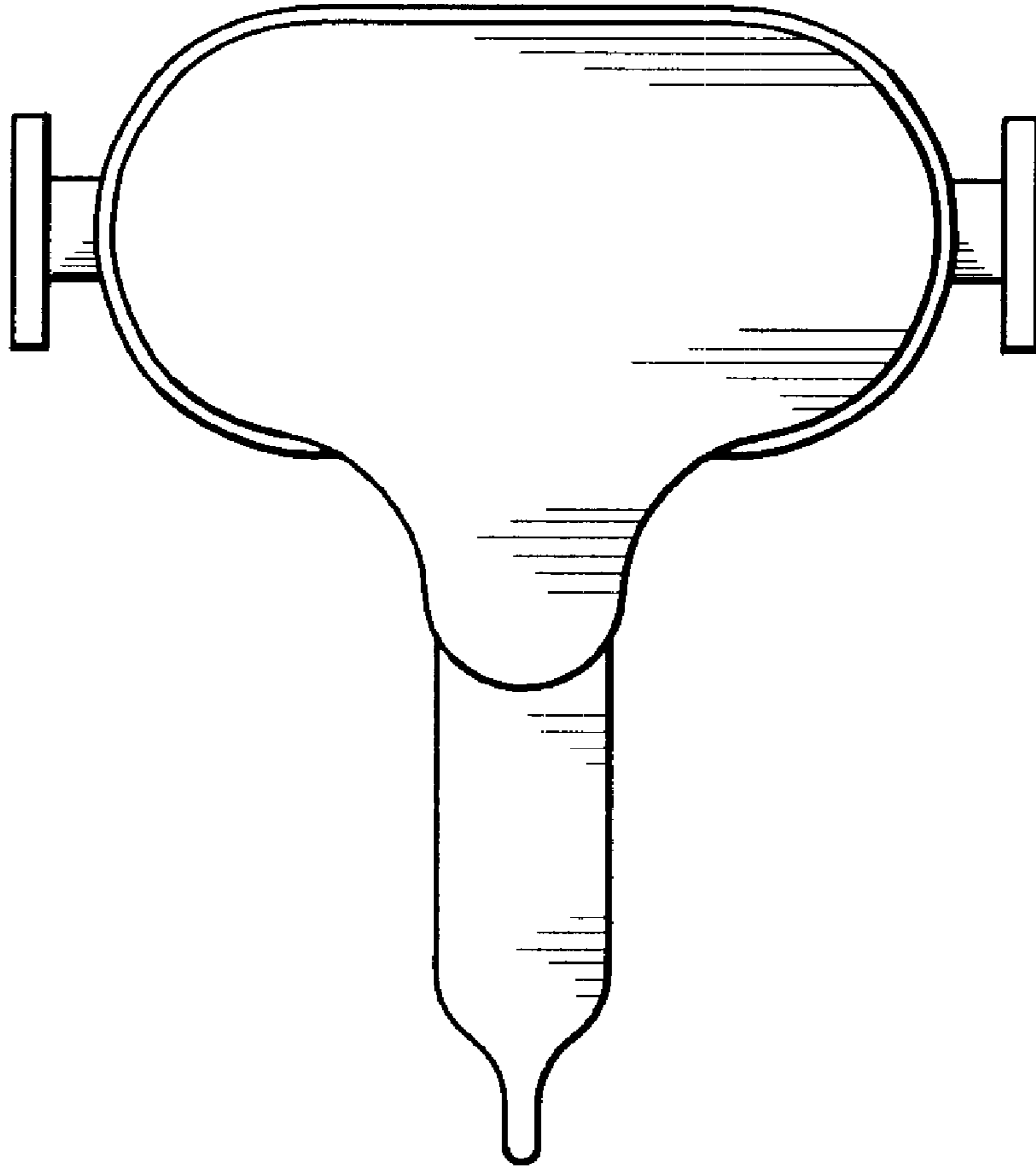
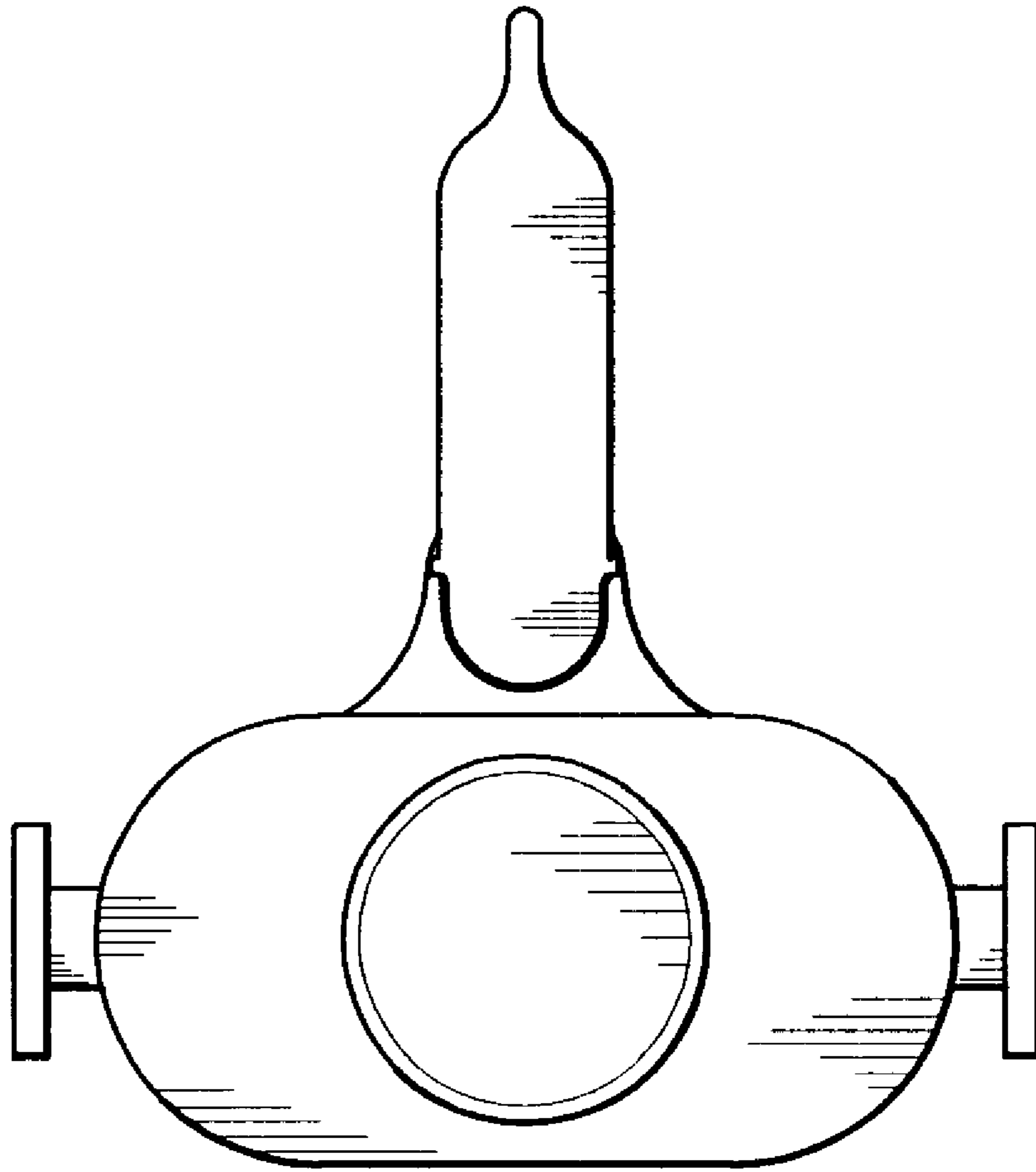


FIG. 5



**FIG. 6**



**FIG. 7**