



US00D472340S

(12) **United States Design Patent**
Whitlock

(10) **Patent No.:** **US D472,340 S**

(45) **Date of Patent:** **** Mar. 25, 2003**

(54) **PATIO ASH TRAY**

(76) **Inventor:** **J. E. Kenneth Whitlock**, P.O. Box
32167, Oklahoma City, OK (US) 73123

(**) **Term:** **14 Years**

(21) **Appl. No.:** **29/153,208**

(22) **Filed:** **Jan. 3, 2002**

(51) **LOC (7) Cl.** **27-03**

(52) **U.S. Cl.** **D27/136**

(58) **Field of Search** D27/102, 103,
D27/104, 105, 133-136, 110, 125; 131/231,
235.1, 236, 237, 240.1, 241, 242, 256

(56) **References Cited**

U.S. PATENT DOCUMENTS

- 3,082,901 A * 3/1963 Nakagawa 131/242
- D288,010 S * 1/1987 Faulkenberry D27/135
- D455,225 S * 4/2002 Whitlock D27/133

* cited by examiner

Primary Examiner—Jennifer Rivard
(74) *Attorney, Agent, or Firm*—Fellers, Snider, et al.; Bill
D. McCarthy

(57) **CLAIM**

I claim the ornamental design for patio ash tray, as shown.

DESCRIPTION

FIG. 1 is a perspective view of a patio ash tray showing my
new design;

FIG. 2 is a plan view of the top end thereof;

FIG. 3 is a plan view of the bottom end thereof;

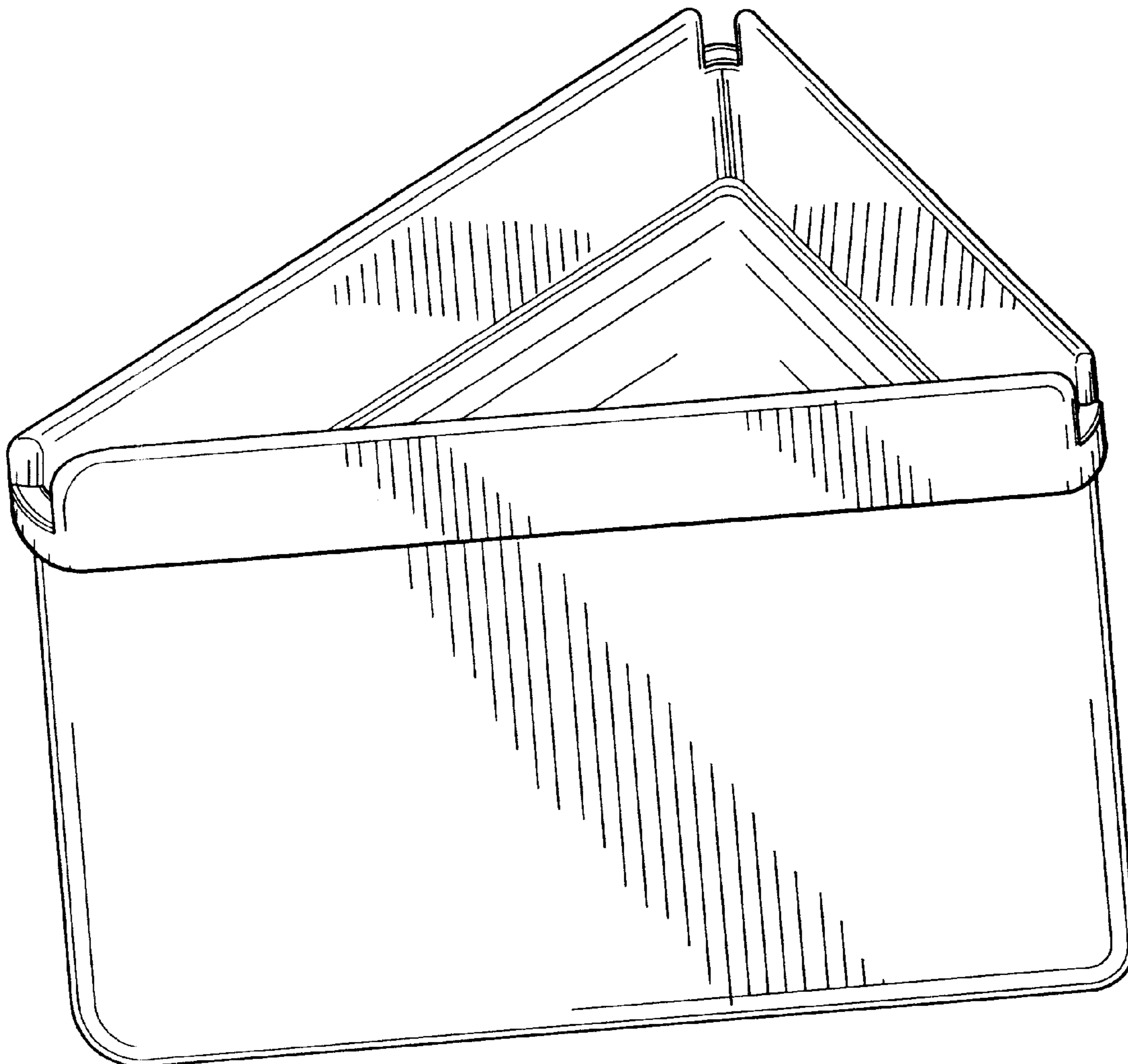
FIG. 4 is an elevational view of the rear thereof;

FIG. 5 is an elevational view of the front thereof;

FIG. 6 is an elevational view of one side thereof; and,

FIG. 7 is an elevational view of the other side thereof.

1 Claim, 2 Drawing Sheets



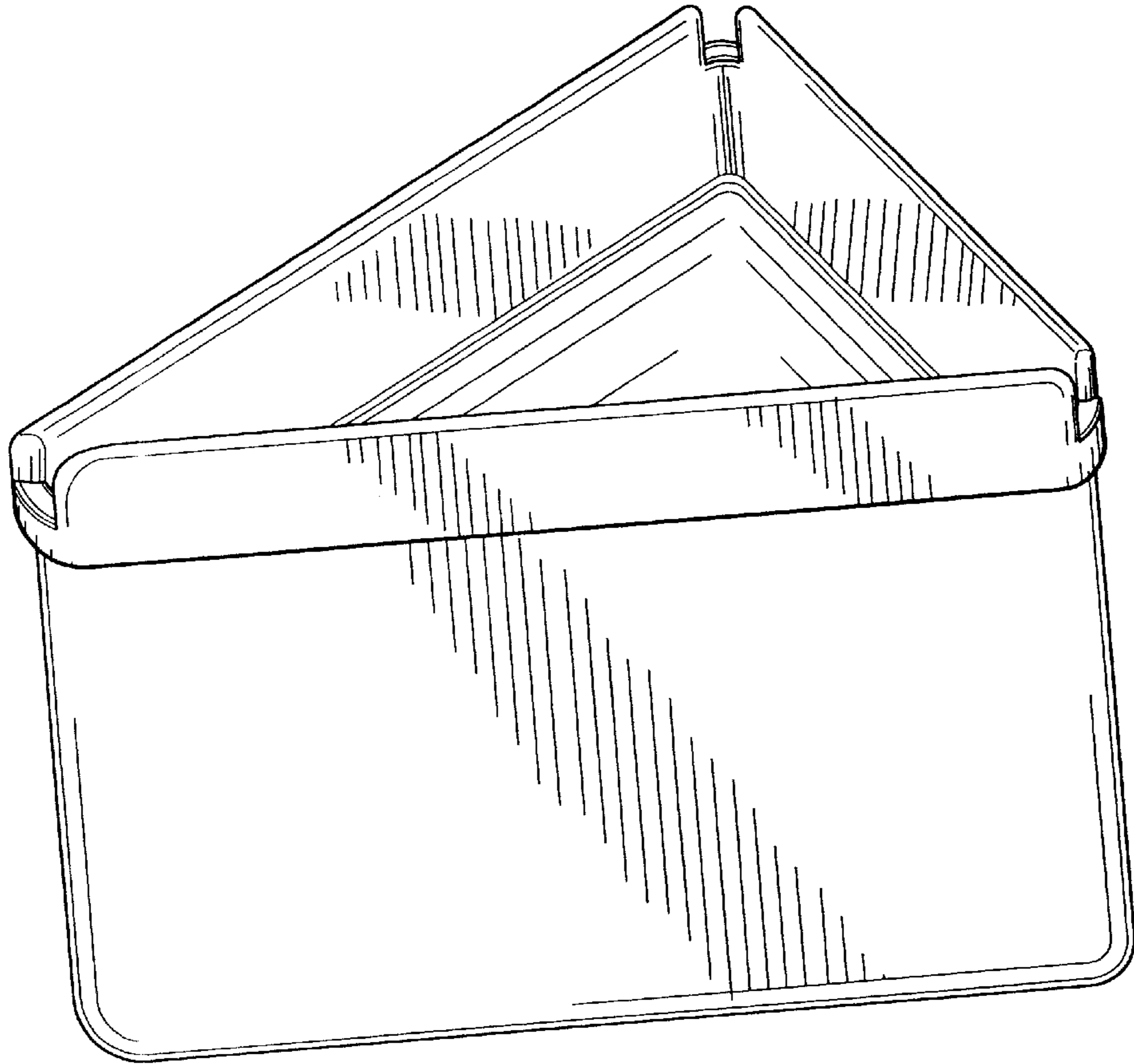


FIG. 1

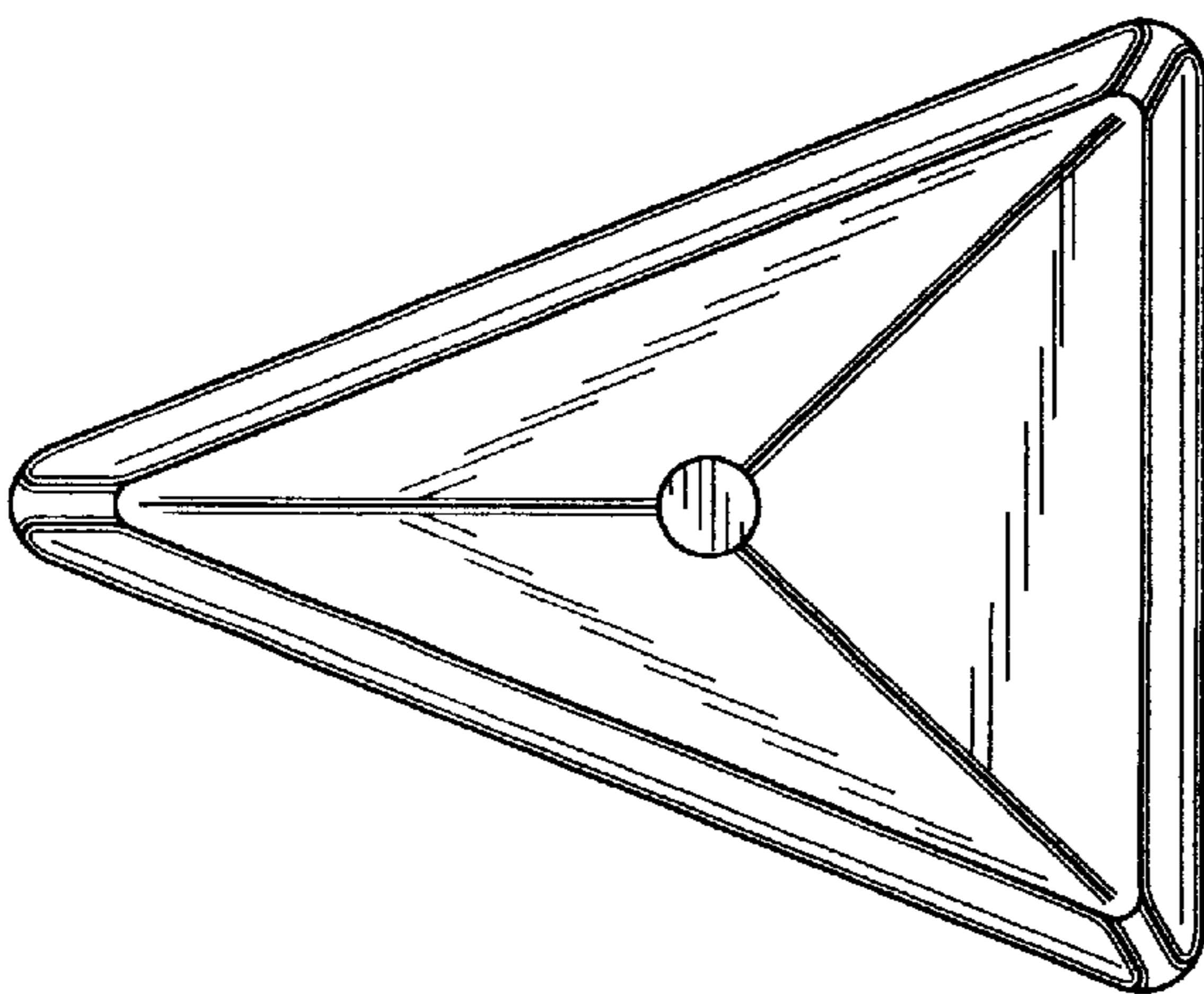


FIG. 2

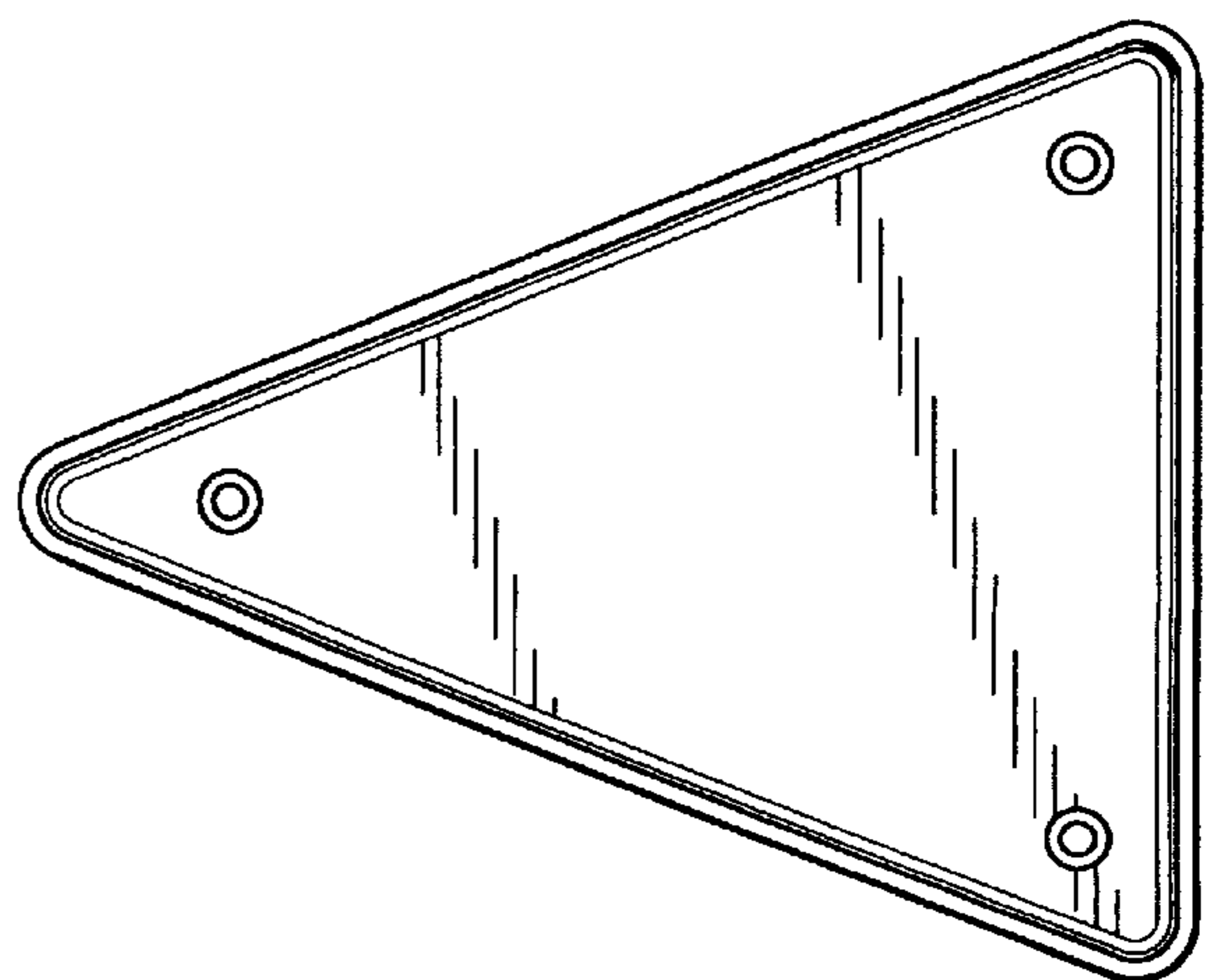


FIG. 3

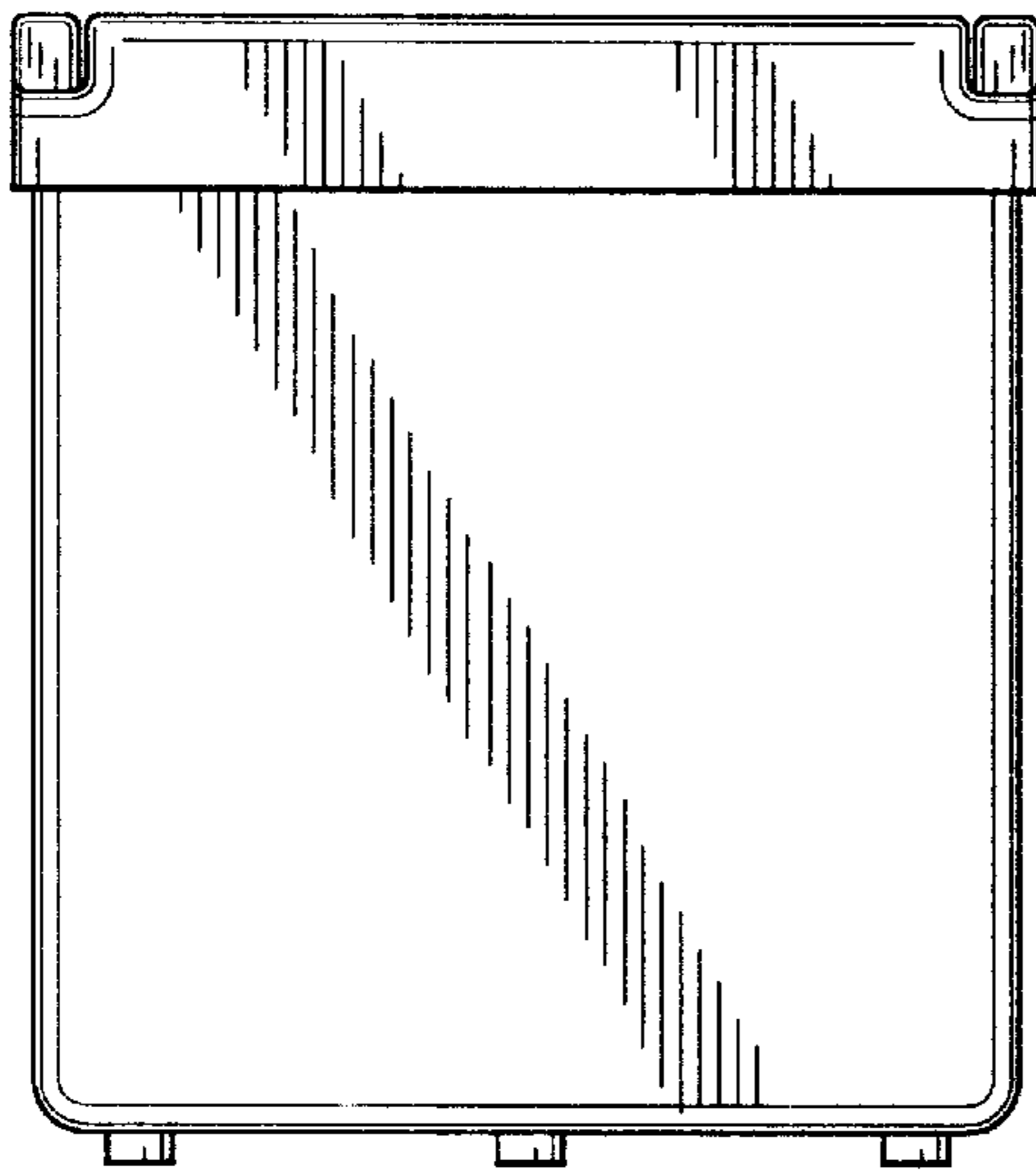


FIG. 4

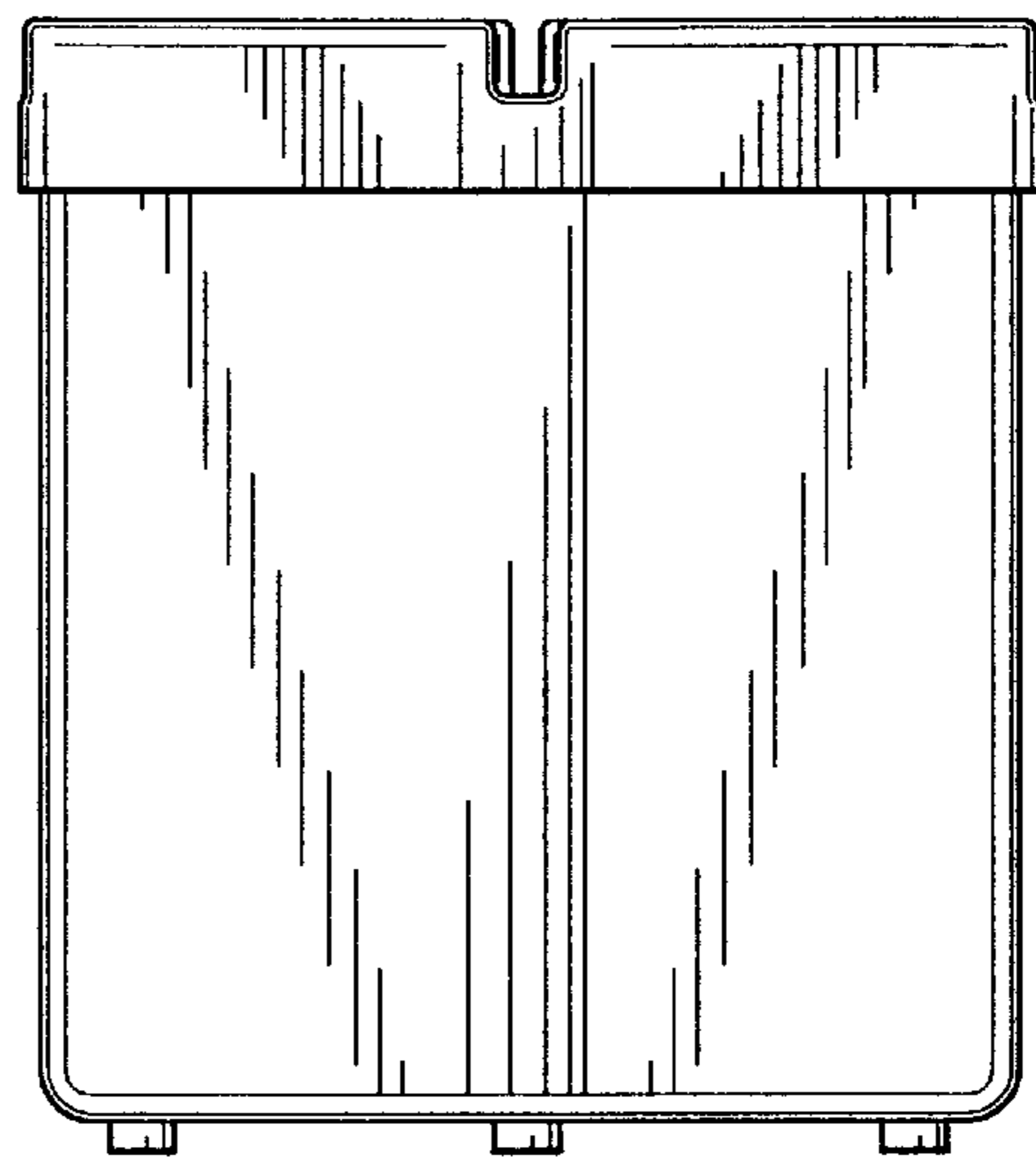


FIG. 5

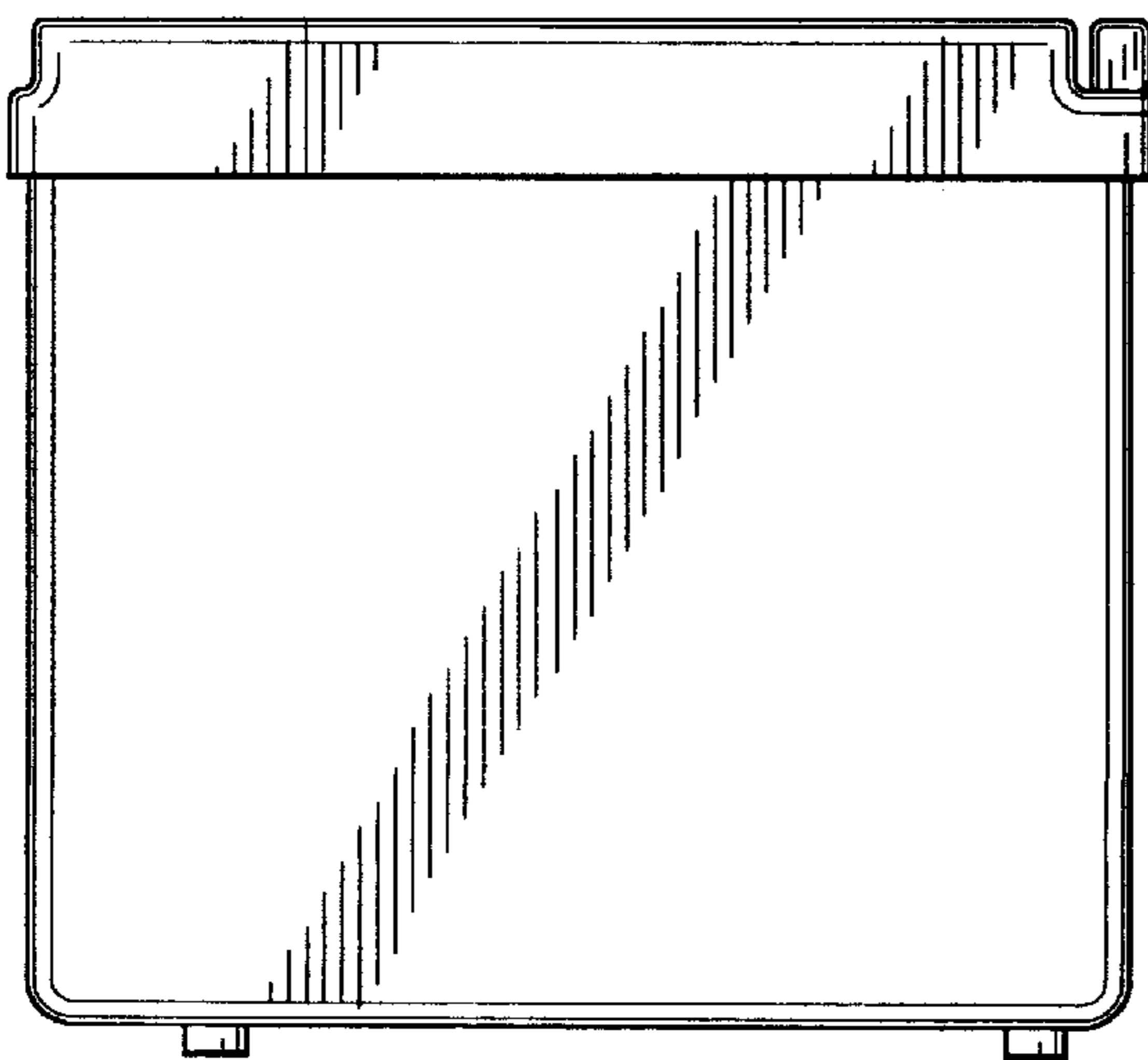


FIG. 6

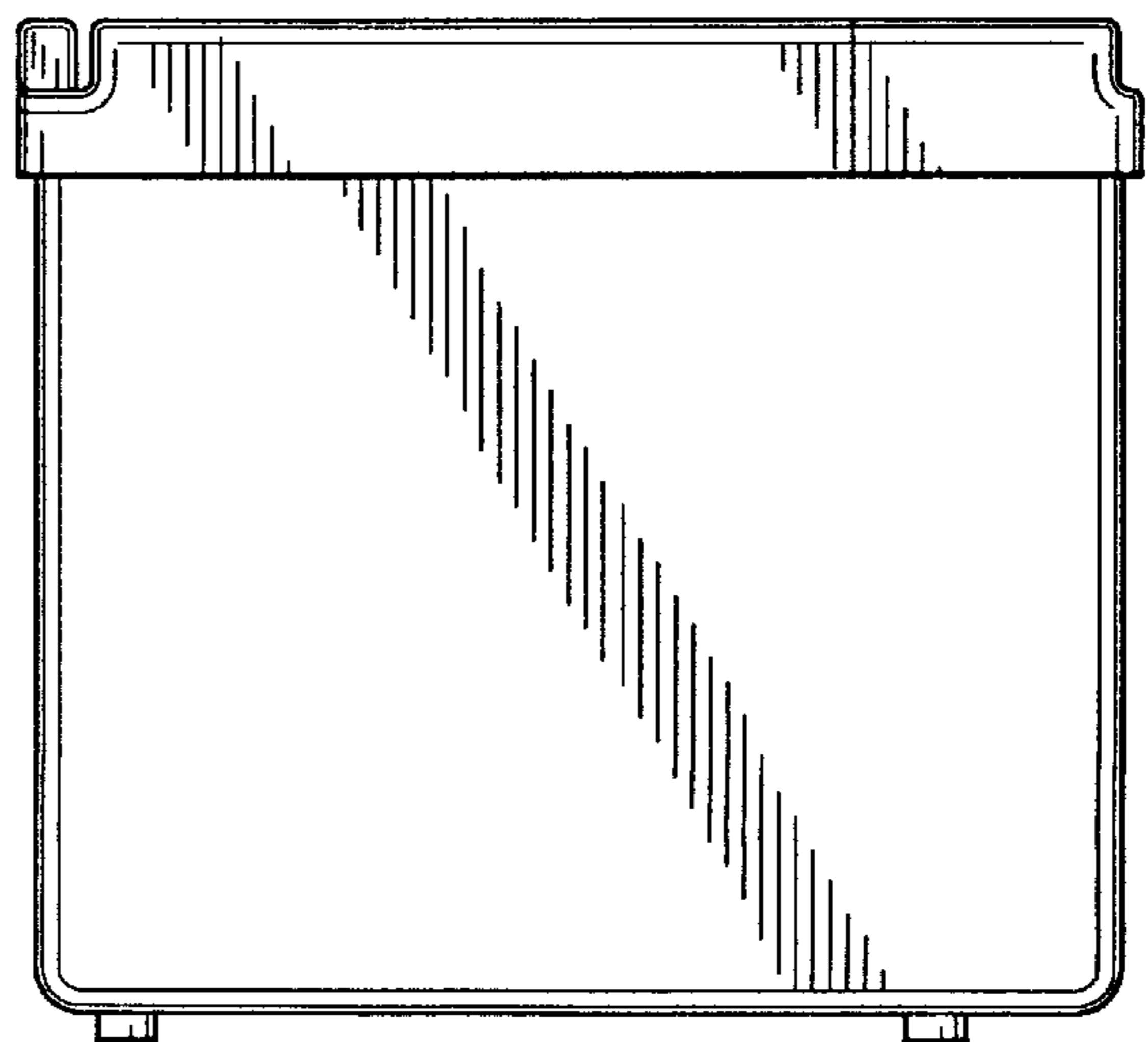


FIG. 7