



US00D472339S

(12) **United States Design Patent**  
**Russello et al.**

(10) **Patent No.:** **US D472,339 S**

(45) **Date of Patent:** **\*\* Mar. 25, 2003**

(54) **LUMINAIRE**

6,422,709 B1 \* 7/2002 Panagiotou ..... 362/16

(75) Inventors: **Thomas Russello**, Freehold, NJ (US);  
**Michael K. Yoshida**, Monmouth  
Junction, NJ (US)

\* cited by examiner

*Primary Examiner*—Alan P. Douglas

*Assistant Examiner*—Clare E. Heflin

(73) Assignee: **Genlyte Thomas Group LLC**,  
Louisville, KY (US)

(74) *Attorney, Agent, or Firm*—Jeffrey A. Haerberlin;  
Middleton Reutlinger

(\*\*) Term: **14 Years**

(57) **CLAIM**

(21) Appl. No.: **29/157,528**

The ornamental design for a luminaire, as shown and described.

(22) Filed: **Mar. 20, 2002**

**DESCRIPTION**

(51) **LOC (7) Cl.** ..... **26-03**

(52) **U.S. Cl.** ..... **D26/87; D26/63**

(58) **Field of Search** ..... D26/72-92, 61-64,  
D26/66; 362/217-225, 298, 410, 414, 418,  
419, 427, 269, 275

FIG. 1 is a perspective view of a luminaire showing our design;

FIG. 2 is another perspective view thereof;

FIG. 3 is a left side elevational view thereof;

FIG. 4 is a right side elevational view thereof;

FIG. 5 is a front elevational view thereof; and,

FIG. 6 is a top plan view thereof.

The back of the luminaire is unornamented and not visible in normal use, since it is mounted against a wall or other structural member. Therefore, the back of the luminaire forms no part of the claimed design, and the rear elevational view has been omitted.

(56) **References Cited**

**U.S. PATENT DOCUMENTS**

- D115,417 S \* 6/1939 McCann ..... D26/109
- D357,761 S \* 4/1995 DeWinter ..... D26/65
- D377,990 S \* 2/1997 Nakano ..... D26/65
- 5,971,571 A \* 10/1999 Rose ..... 362/346
- D418,626 S \* 1/2000 Herst et al. .... D26/118

**1 Claim, 4 Drawing Sheets**

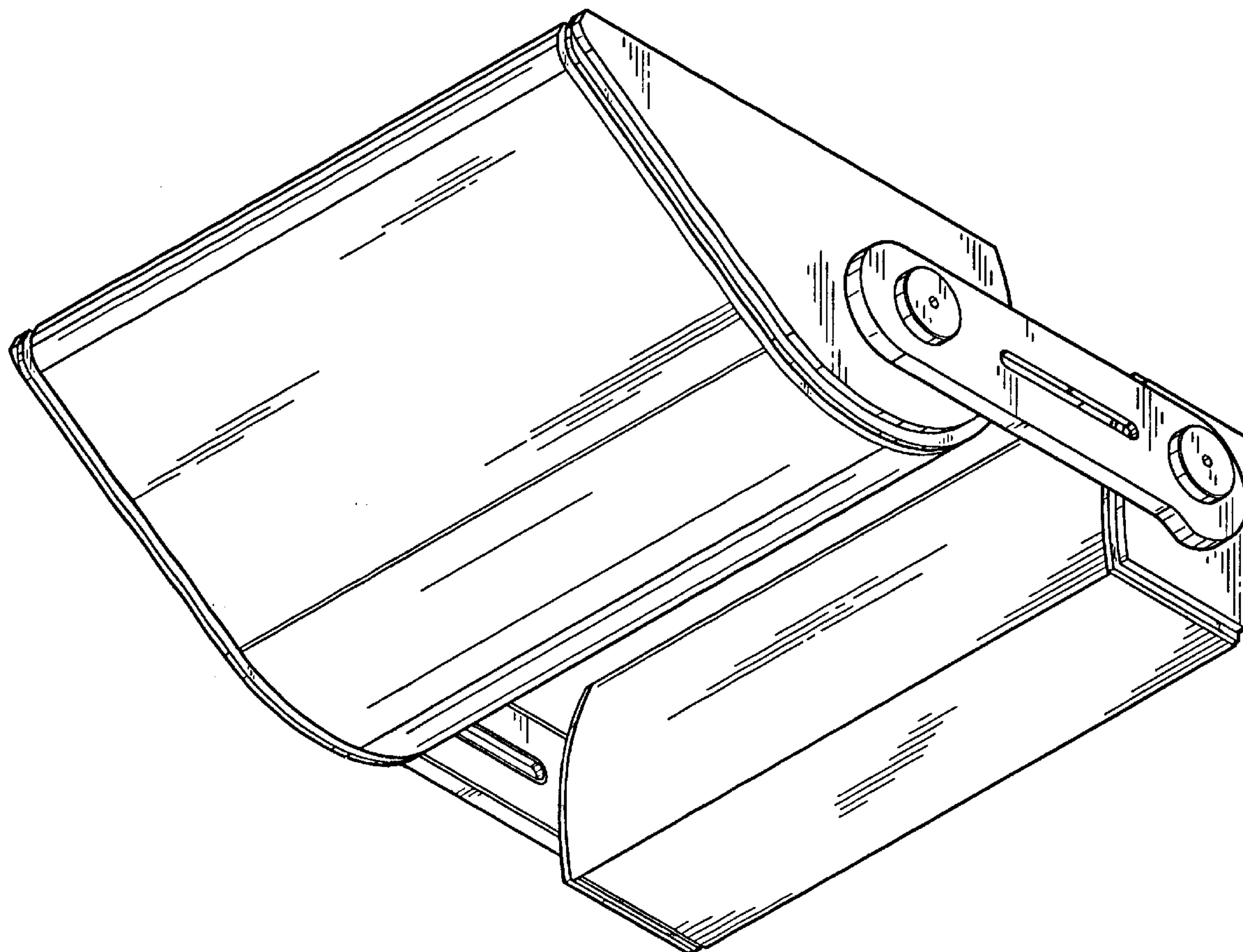


FIG. 1

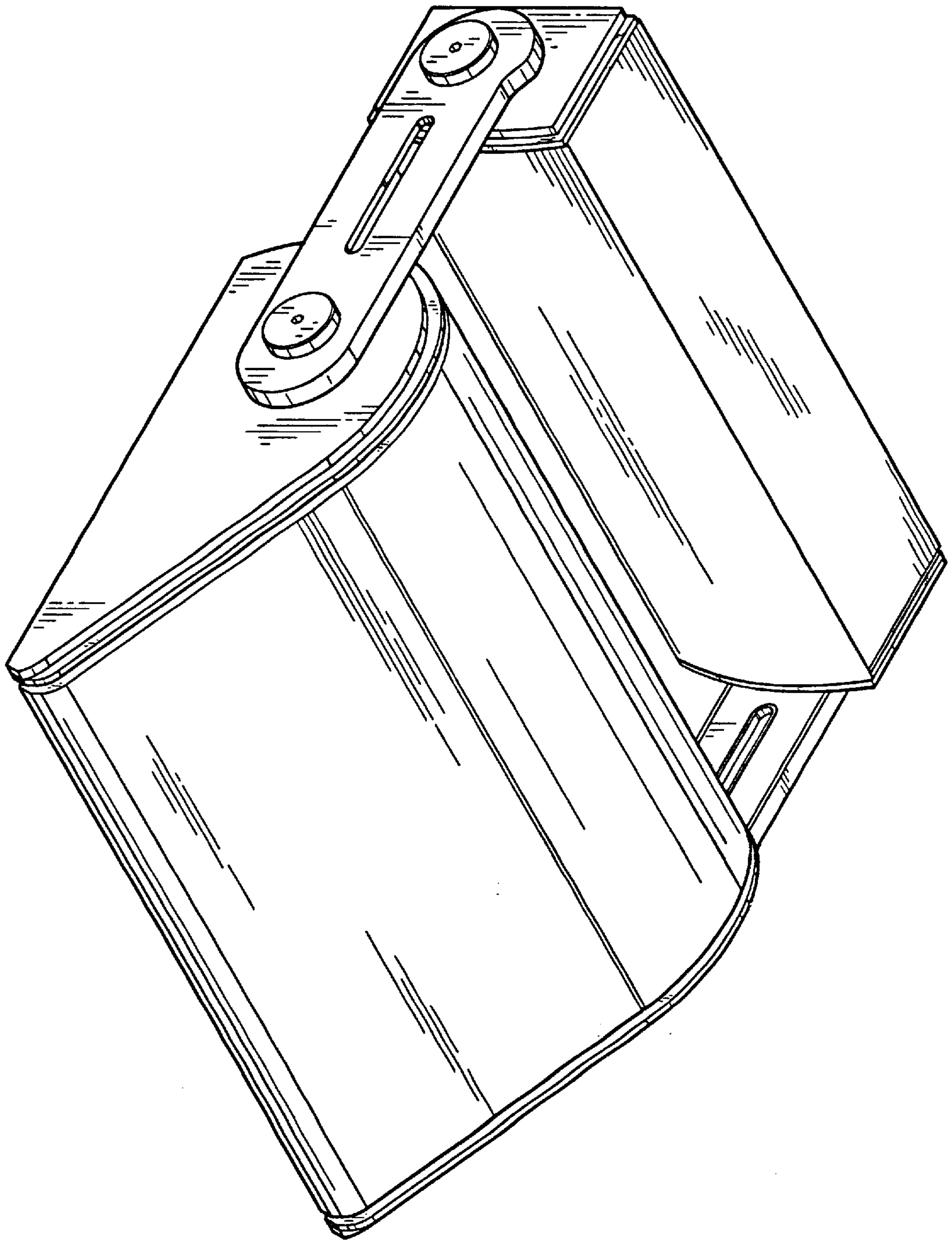


FIG. 2

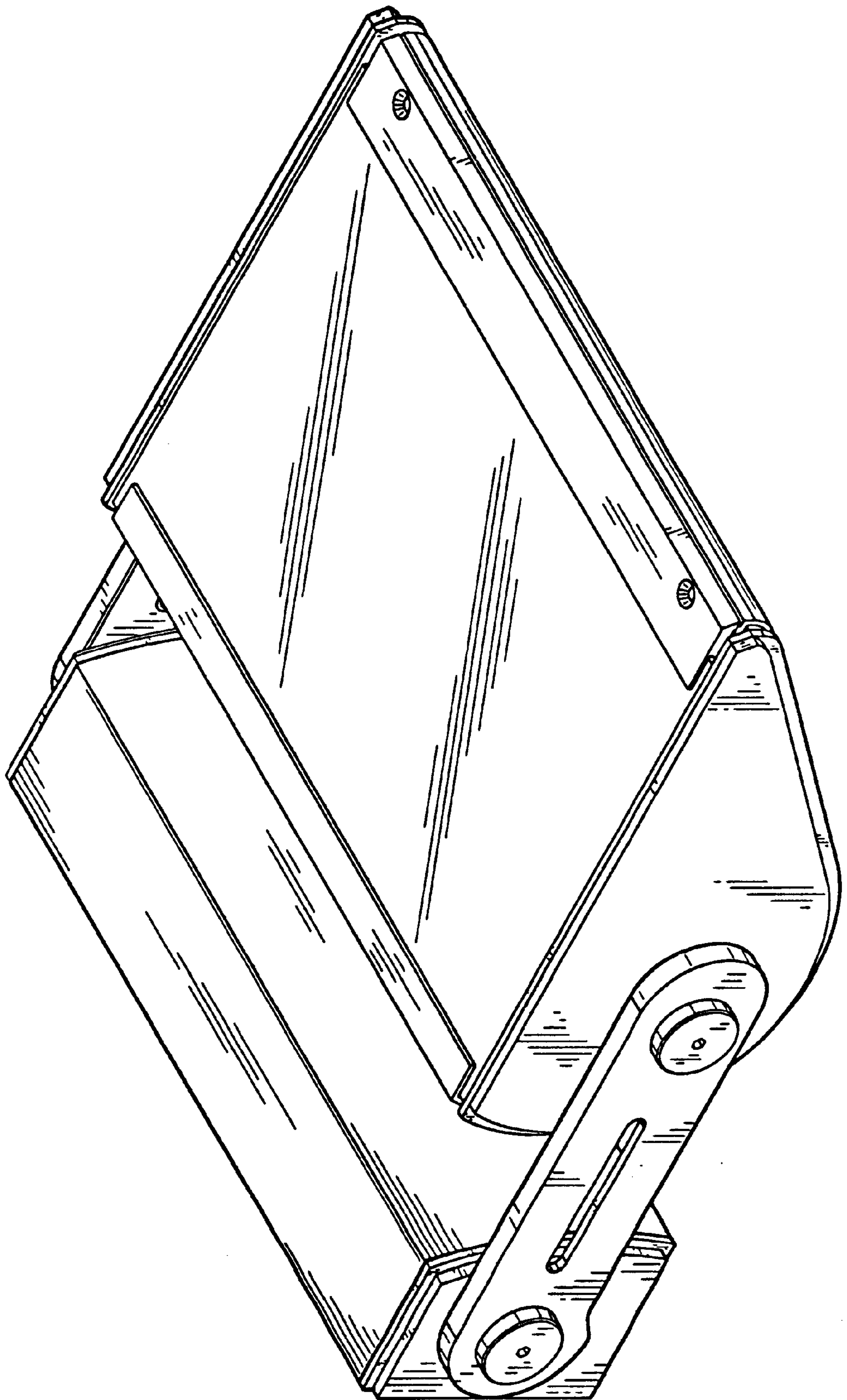




FIG. 4

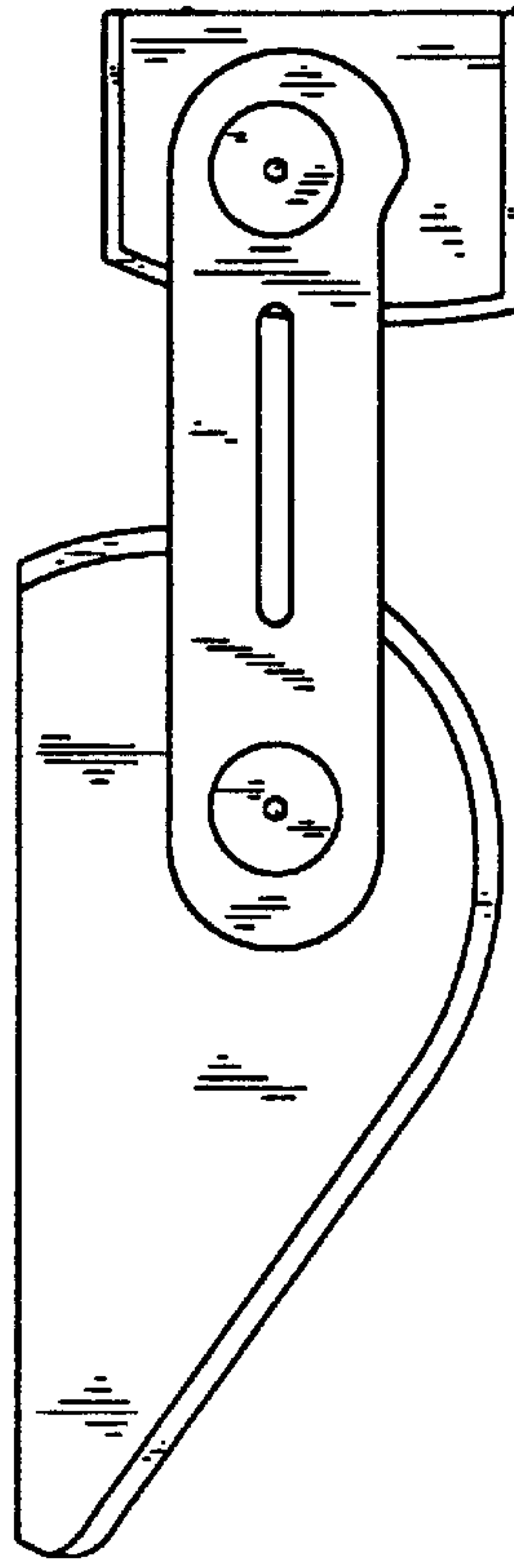


FIG. 3

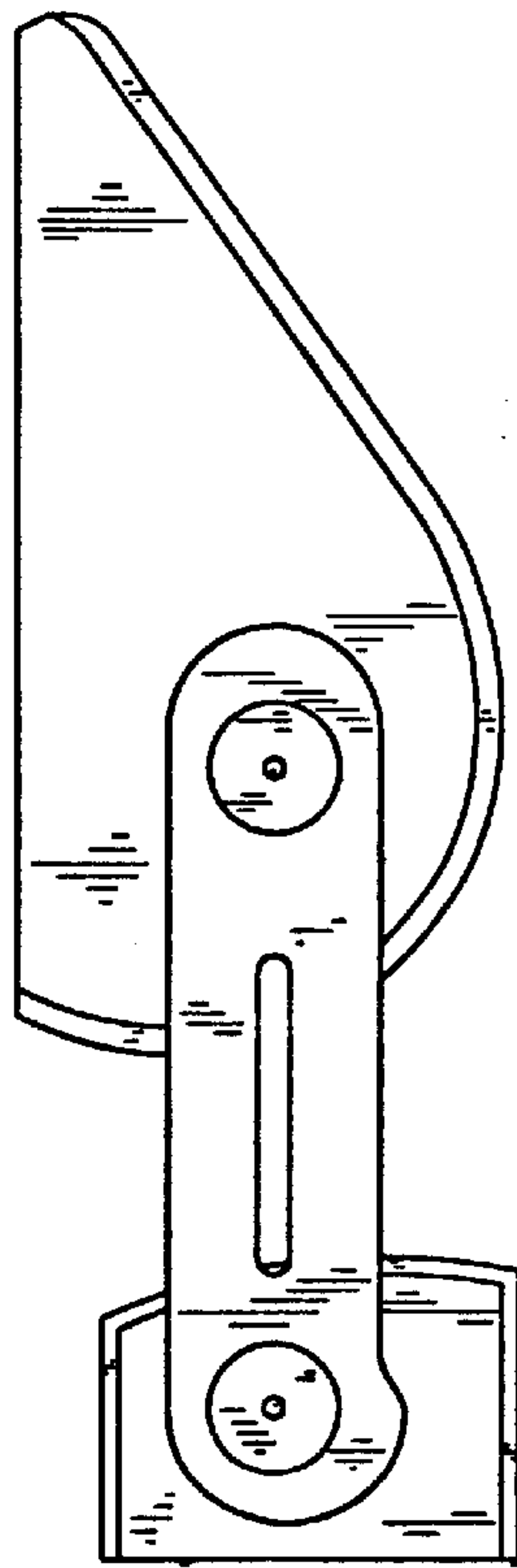


FIG. 6

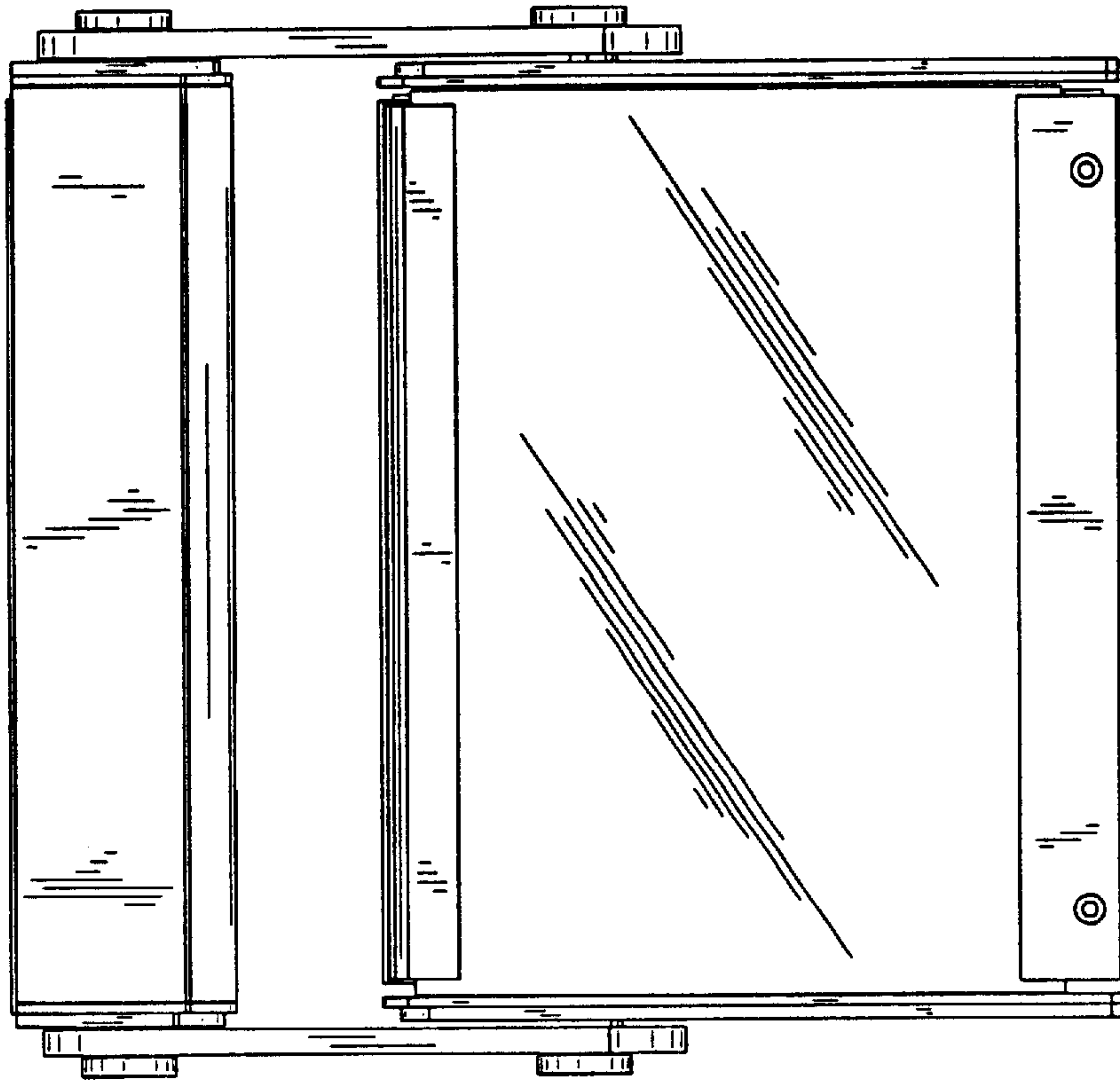


FIG. 5

