



US00D472335S

(12) **United States Design Patent**
Chan

(10) **Patent No.:** **US D472,335 S**

(45) **Date of Patent:** **** Mar. 25, 2003**

(54) **TORCH RADIO**

D441,110 S * 4/2001 Lam D26/38

(75) Inventor: **Yin Chau Chan**, New Territories (HK)

* cited by examiner

(73) Assignee: **Gonica Electronic Co., Ltd.**, New Territories (HK)

Primary Examiner—Marcus A. Jackson
(74) *Attorney, Agent, or Firm*—Rabin & Berdo, P.C.

(**) Term: **14 Years**

(57) **CLAIM**

(21) Appl. No.: **29/162,248**

The ornamental design for a torch radio, as shown and described.

(22) Filed: **Jun. 13, 2002**

DESCRIPTION

(51) **LOC (7) Cl.** **26-02**

FIG. 1 is a front perspective view of a torch radio showing my new design;

(52) **U.S. Cl.** **D26/38**

FIG. 2 is a front view thereof;

(58) **Field of Search** D26/37-50; D14/168, D14/188, 189; 362/157, 158, 171, 172, 173, 183-208

FIG. 3 is a rear view thereof;

FIG. 4 is a top plan view thereof;

FIG. 5 is a bottom plan view thereof;

FIG. 6 is a left side view thereof; and,

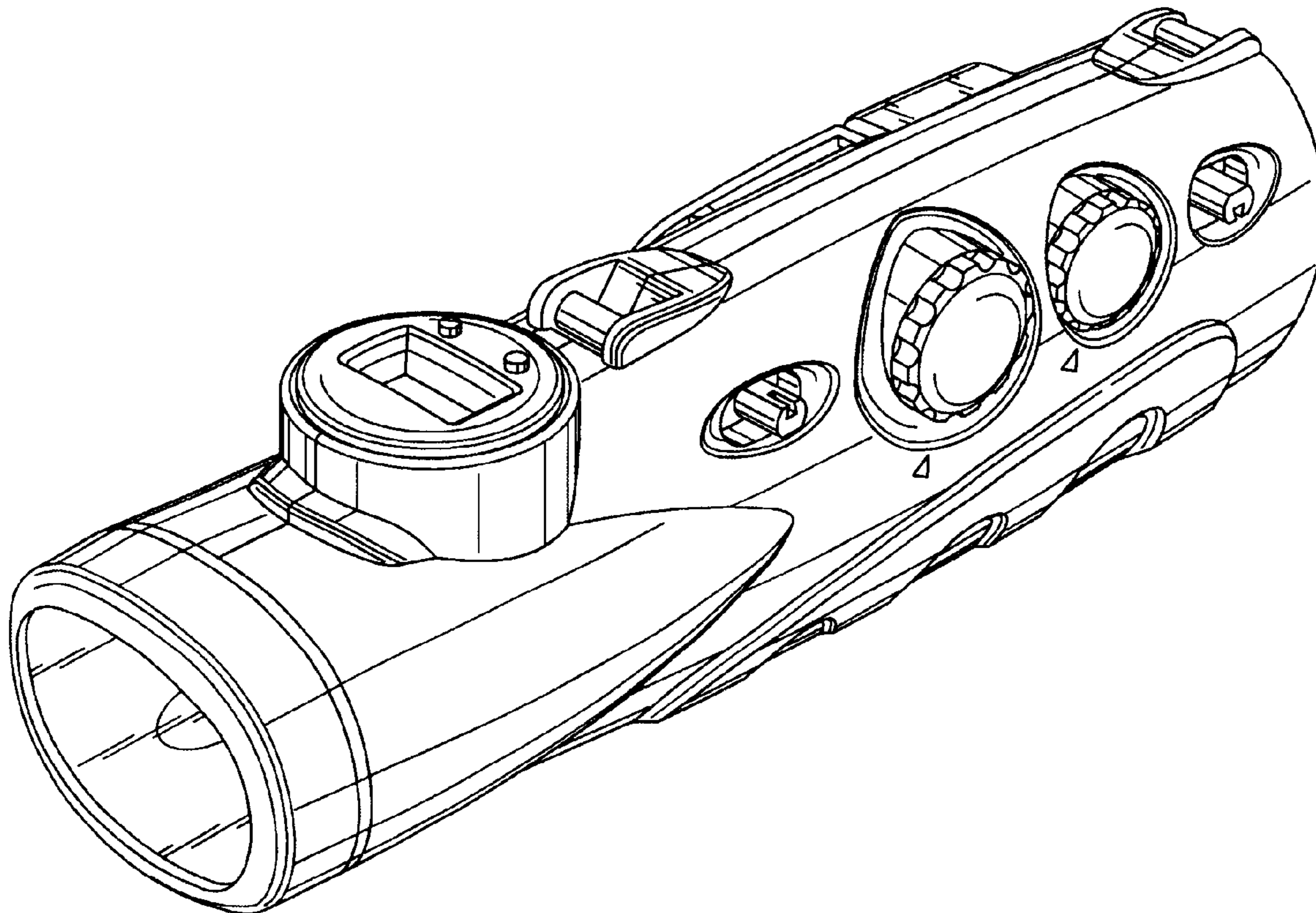
FIG. 7 is a right side view thereof.

(56) **References Cited**

U.S. PATENT DOCUMENTS

D438,528 S * 3/2001 Chan D26/38

1 Claim, 4 Drawing Sheets



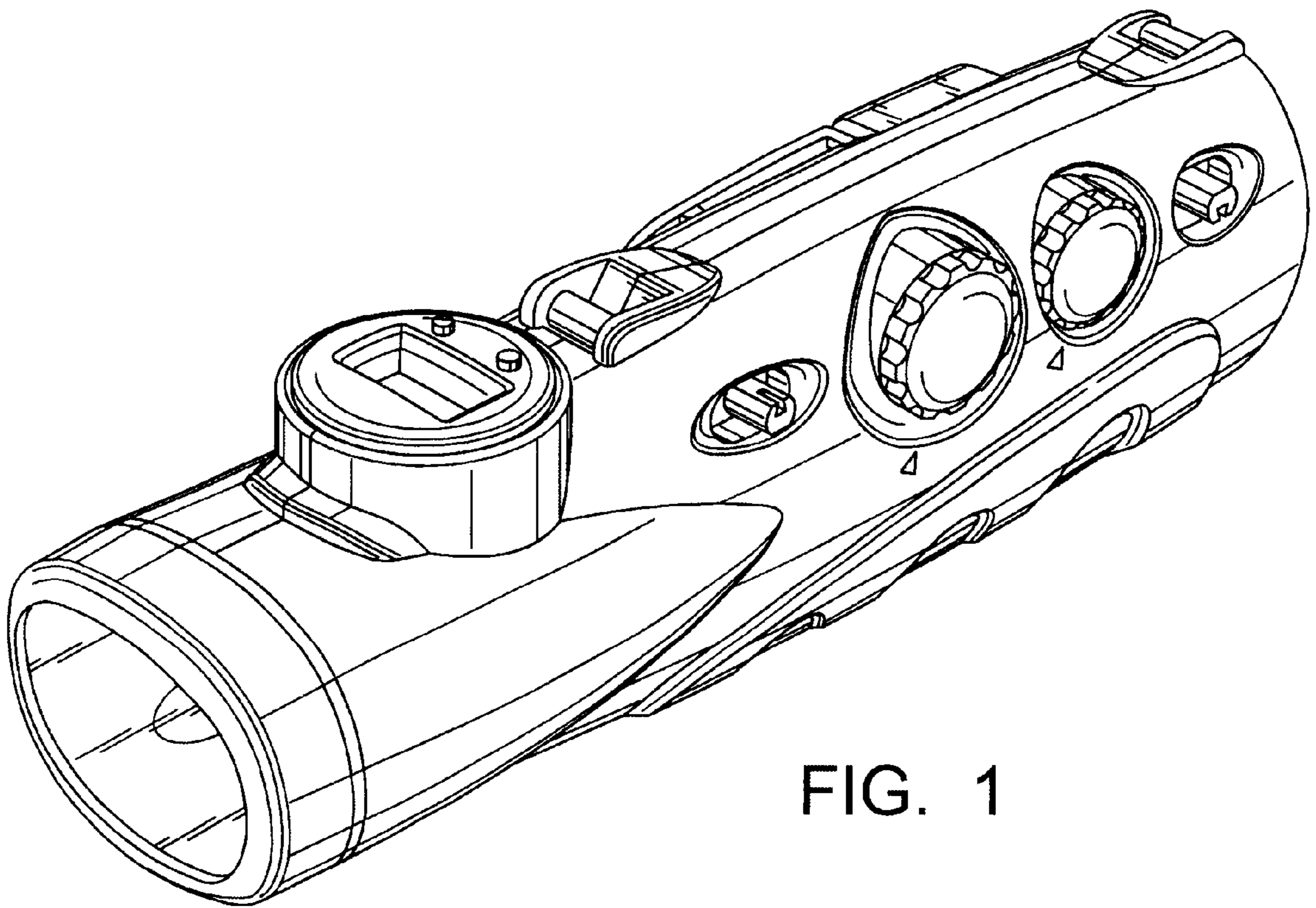


FIG. 1

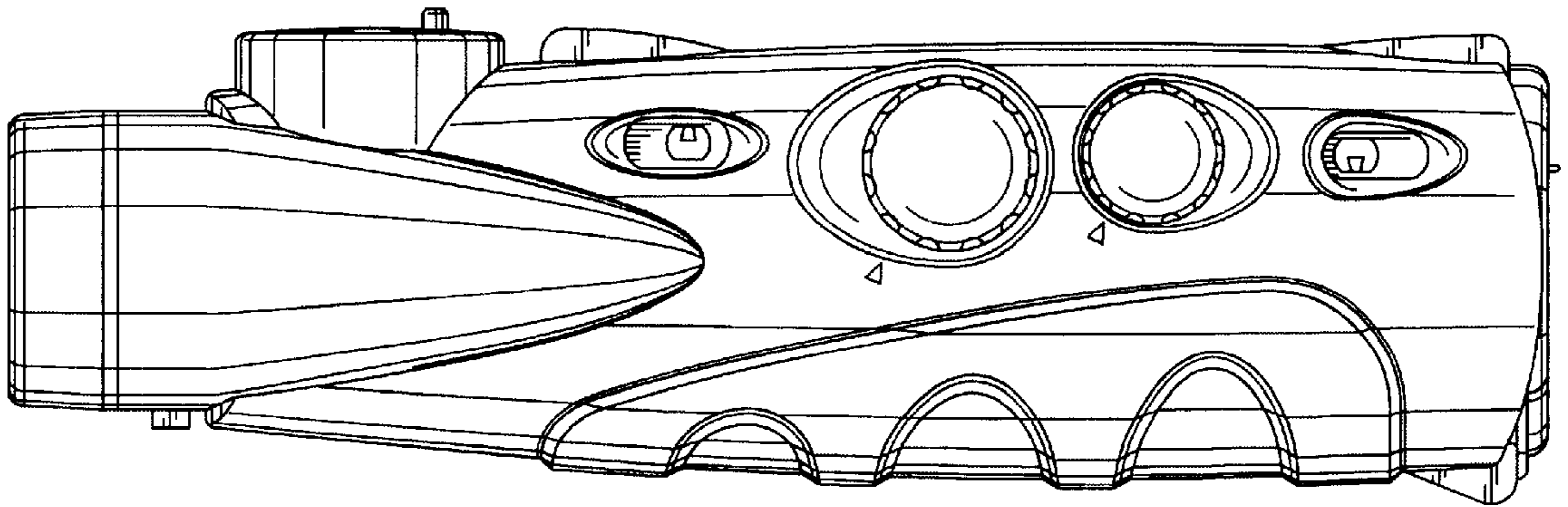


FIG. 2

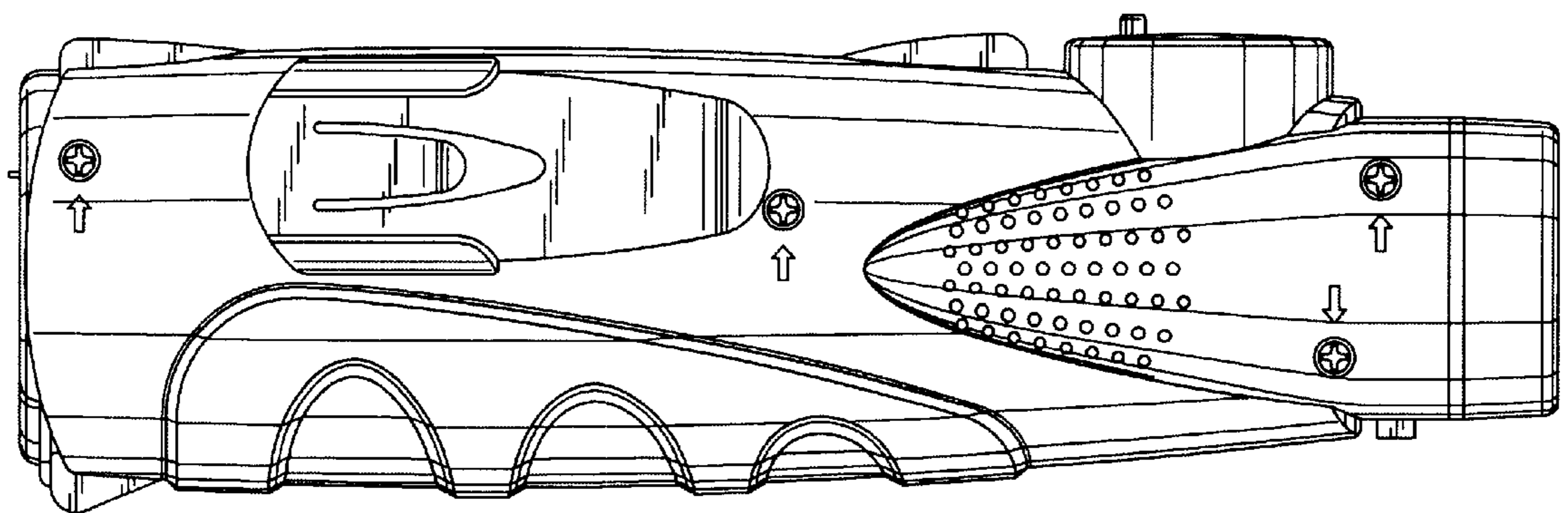


FIG. 3

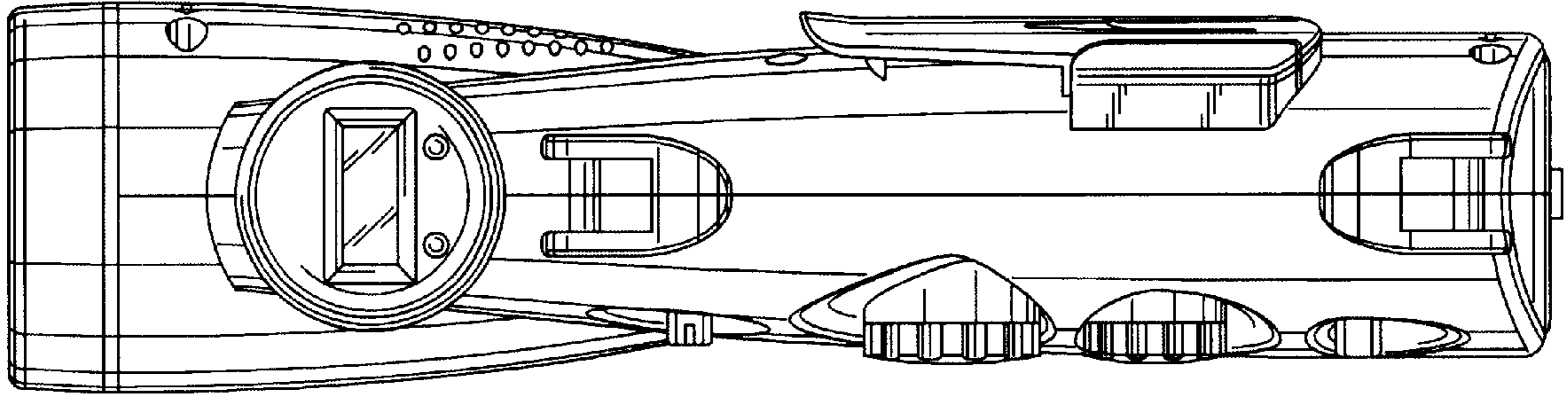


FIG. 4

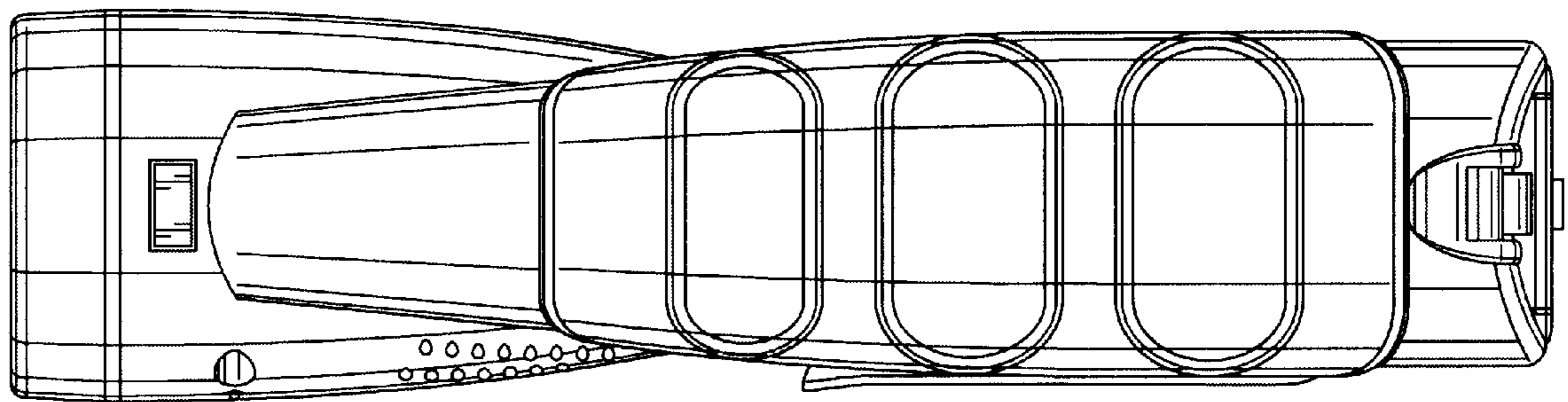


FIG. 5

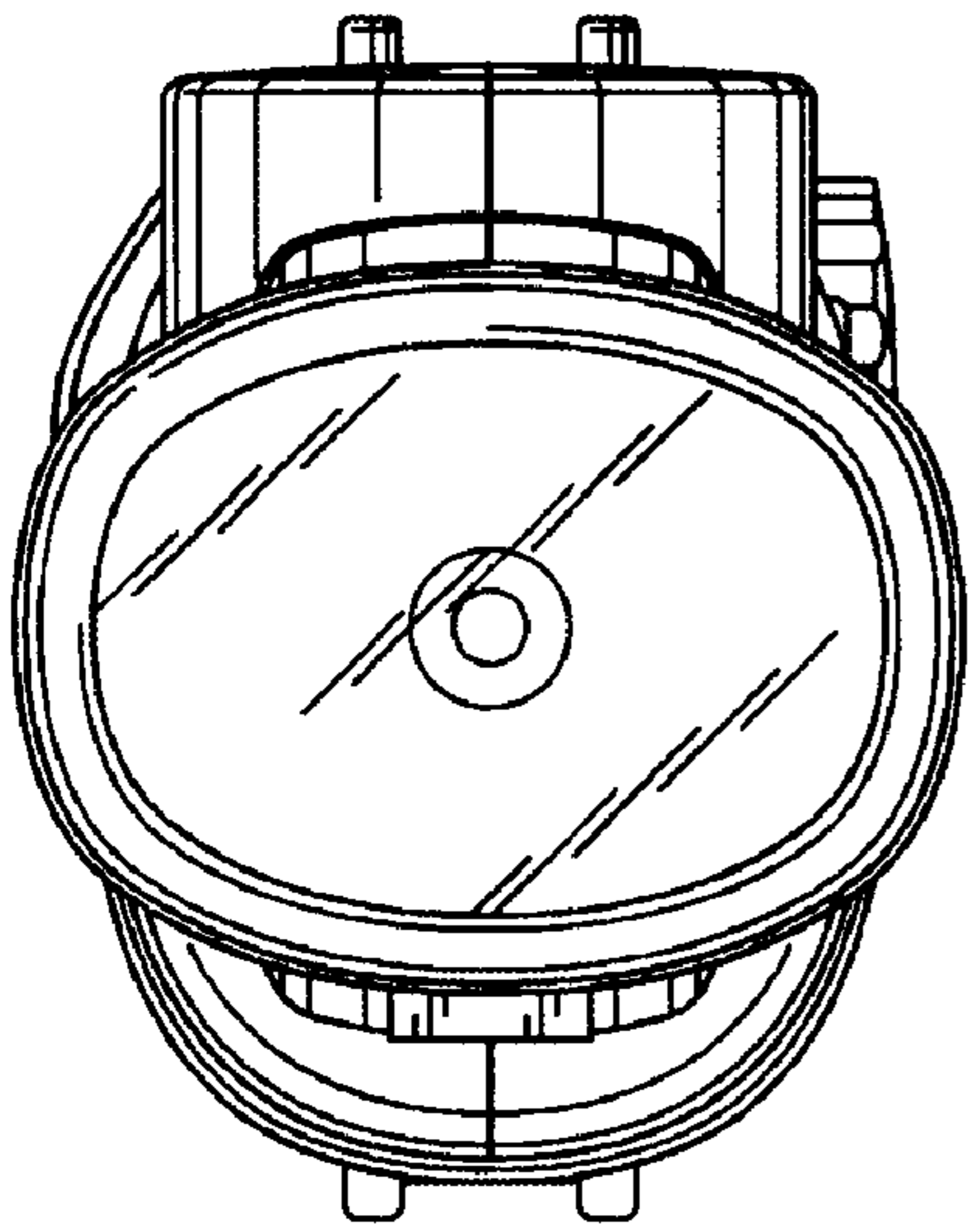


FIG. 6

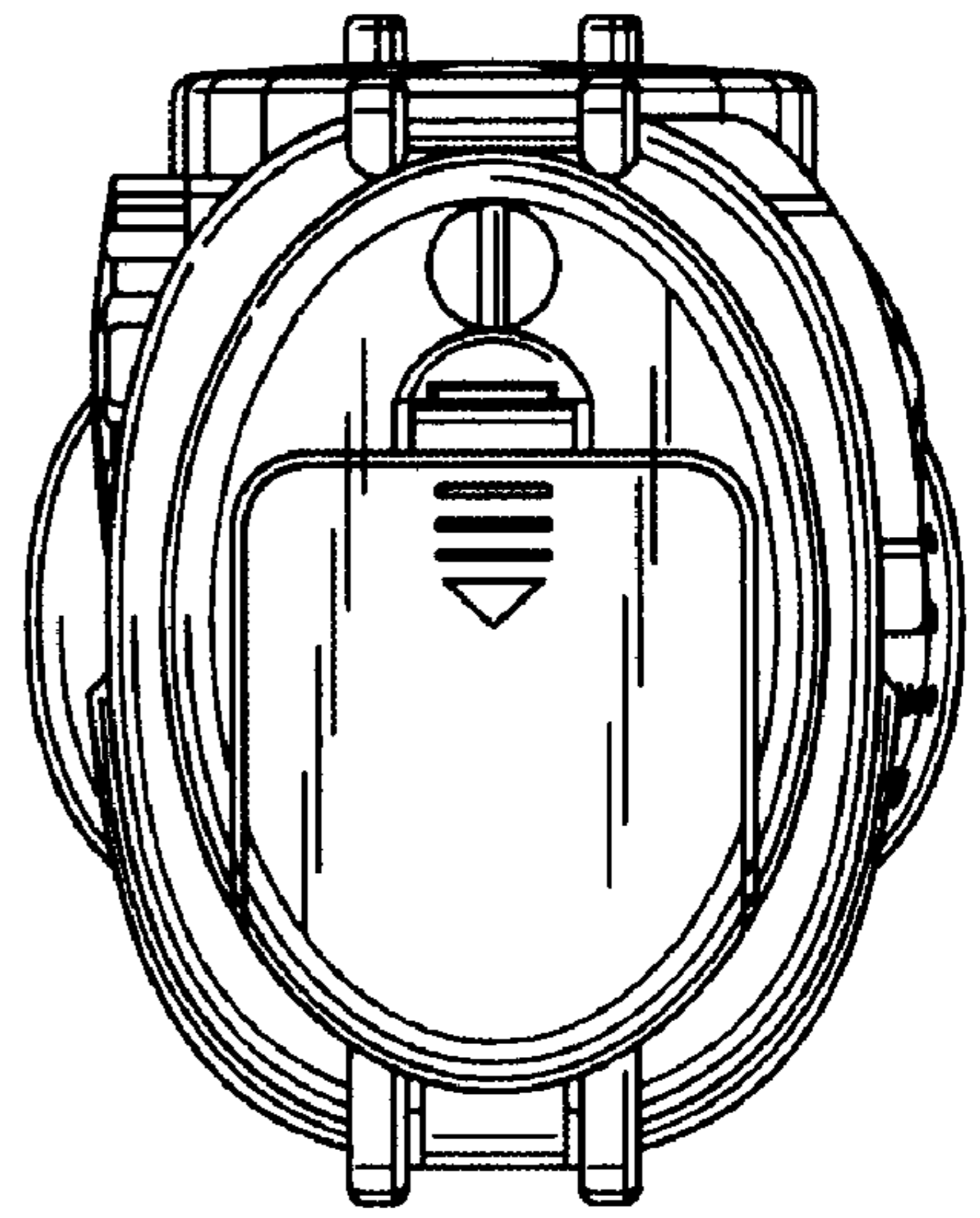


FIG. 7