



US00D472331S

(12) **United States Design Patent**  
**Zadak**

(10) **Patent No.:** **US D472,331 S**

(45) **Date of Patent:** **\*\* Mar. 25, 2003**

(54) **TELESCOPING DIVIDER**

(75) Inventor: **Craig Zadak**, Roscoe, IL (US)

(73) Assignee: **Southern Imperial, Inc.**, Rockford, IL (US)

(\*\*) Term: **14 Years**

(21) Appl. No.: **29/164,086**

(22) Filed: **Jul. 18, 2002**

(51) **LOC (7) Cl.** ..... **25-02**

(52) **U.S. Cl.** ..... **D25/50**

(58) **Field of Search** ..... D25/39, 50; 256/24, 256/25, 73; 49/34, 9

(56) **References Cited**

**U.S. PATENT DOCUMENTS**

D384,752 S \* 10/1997 Scherer et al. .... D25/50  
D397,448 S \* 8/1998 Brevi ..... D25/50

\* cited by examiner

*Primary Examiner*—Doris Clark

(74) *Attorney, Agent, or Firm*—Leydig, Voit & Mayer, Ltd.

(57) **CLAIM**

I claim the ornamental design for the telescoping divider, as shown and described.

**DESCRIPTION**

FIG. 1 is a perspective view, taken from the front and left, of the telescoping divider of the present invention;

FIG. 2 is a top view of the telescoping divider shown in FIG. 1;

FIG. 3 is a side view, taken from the left, of the telescoping divider shown in FIG. 1;

FIG. 4 is a rear view of the telescoping divider shown in FIG. 1;

FIG. 5 is a front view of the telescoping divider shown in FIG. 1;

FIG. 6 is a bottom view of the telescoping divider shown in FIG. 1;

FIG. 7 is a side view, taken from the right, of the telescoping divider shown in FIG. 1;

FIG. 8 is a perspective view, taken from the front and left, of the telescoping divider shown in FIGS. 1–7, showing the divider in an extended position;

FIG. 9 is a perspective view, taken from the rear and right, of the telescoping divider shown in FIG. 8, all other surfaces not shown being the same as shown in the embodiment of FIGS. 1–7;

FIG. 10 is a perspective view, taken from the front and left, of another embodiment of the telescoping divider of the present invention;

FIG. 11 is a top view of the telescoping divider shown in FIG. 10;

FIG. 12 is a side view, taken from the left, of the telescoping divider shown in FIG. 10;

FIG. 13 is a rear view of the telescoping divider shown in FIG. 10;

FIG. 14 is a front view of the telescoping divider shown in FIG. 10;

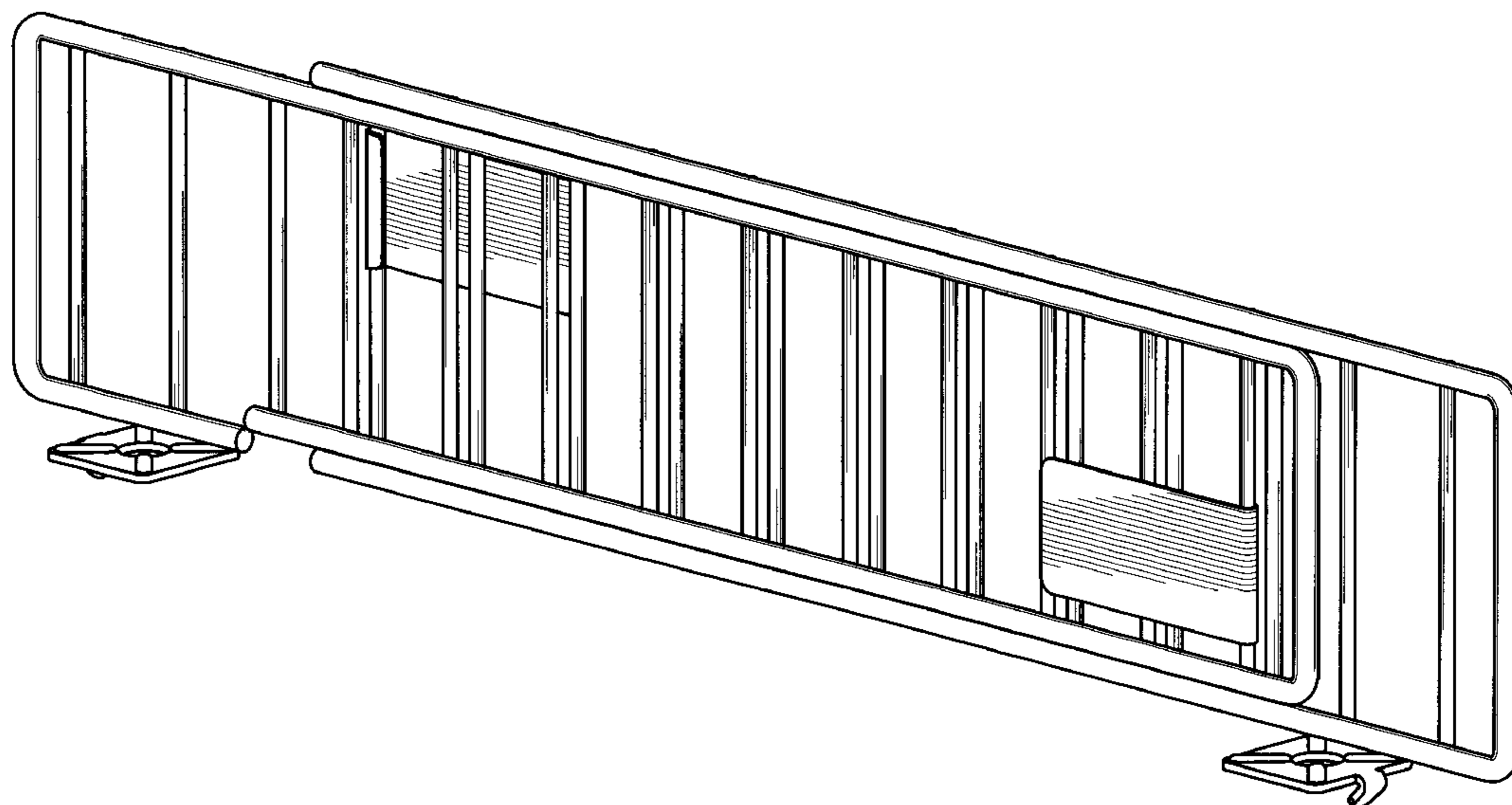
FIG. 15 is a bottom view of the telescoping divider shown in FIG. 10;

FIG. 16 is a side view, taken from the right, of the telescoping divider shown in FIG. 10;

FIG. 17 is a perspective view, taken from the front and left, of the telescoping divider shown in FIGS. 10–16, showing the divider in an extended position; and,

FIG. 18 is a perspective view, taken from the rear and right, of the telescoping divider shown in FIG. 17, all other surfaces not shown being the same as shown in the embodiment of FIGS. 10–16.

**1 Claim, 12 Drawing Sheets**



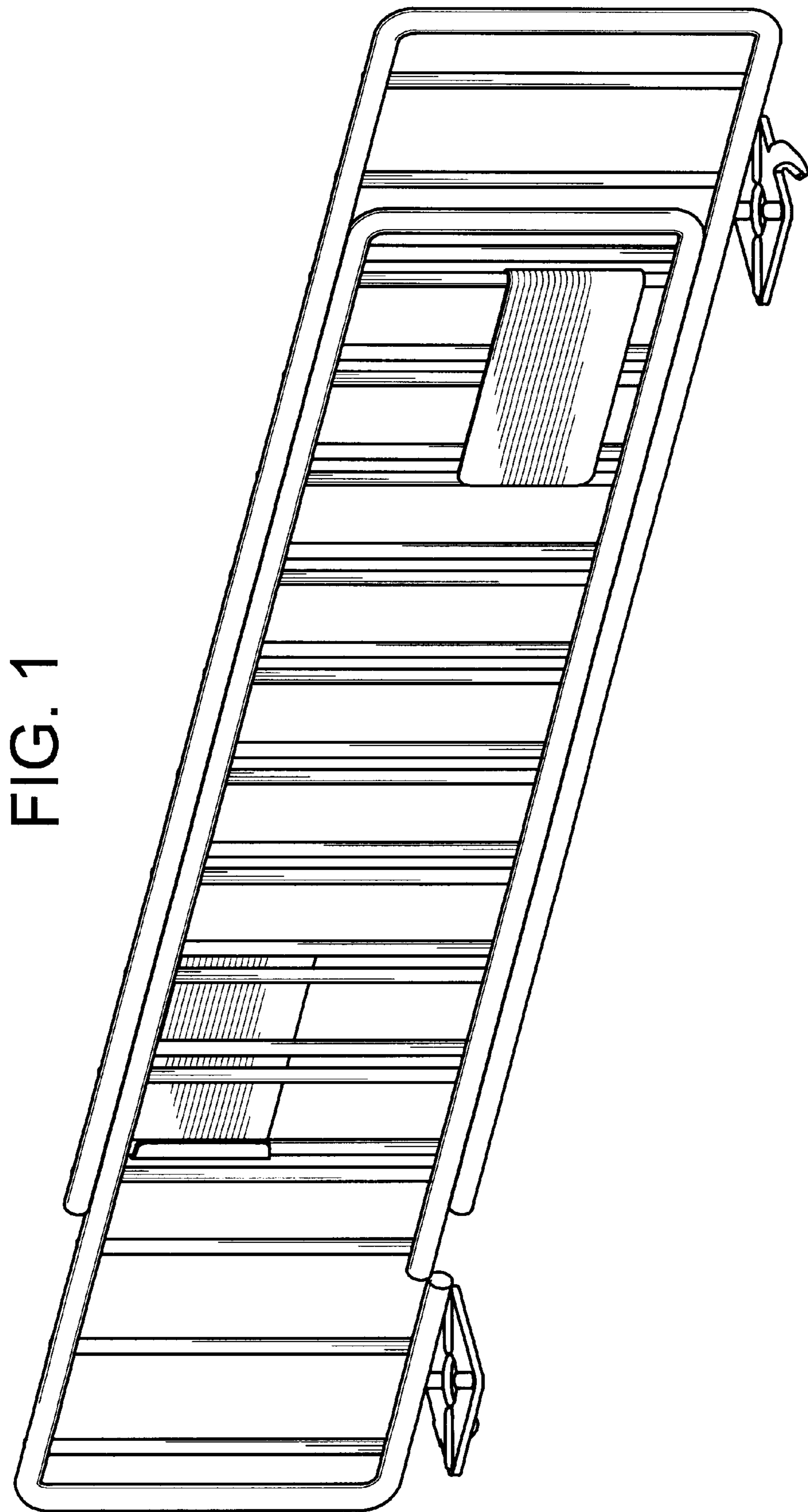


FIG. 1

FIG. 2

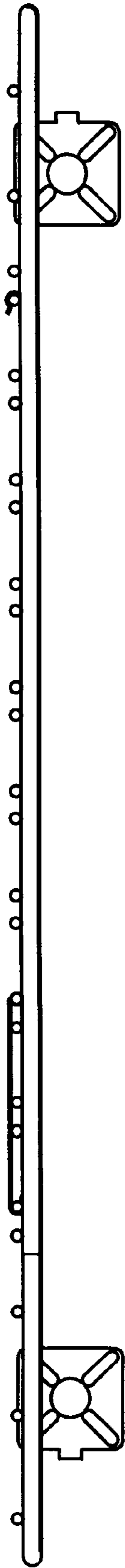


FIG. 3

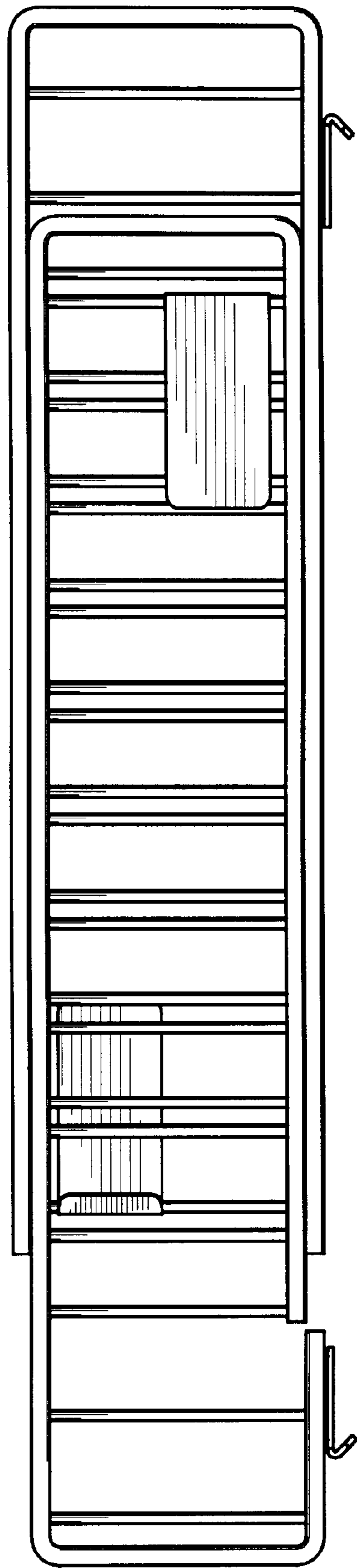


FIG. 4

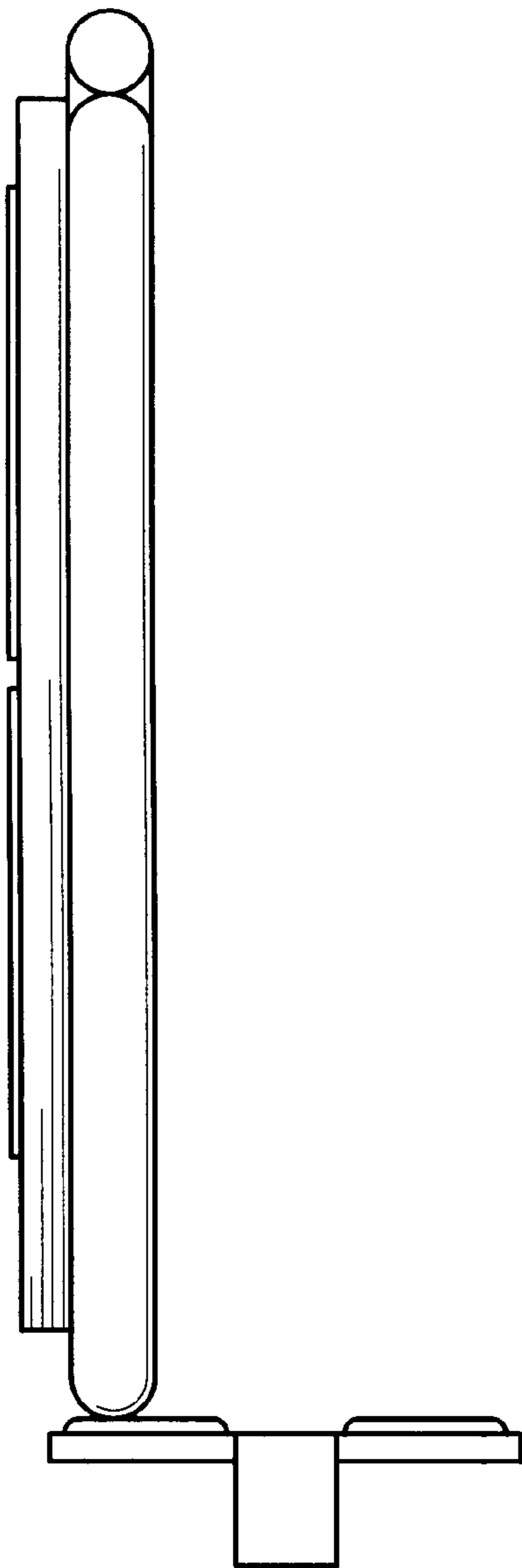


FIG. 5

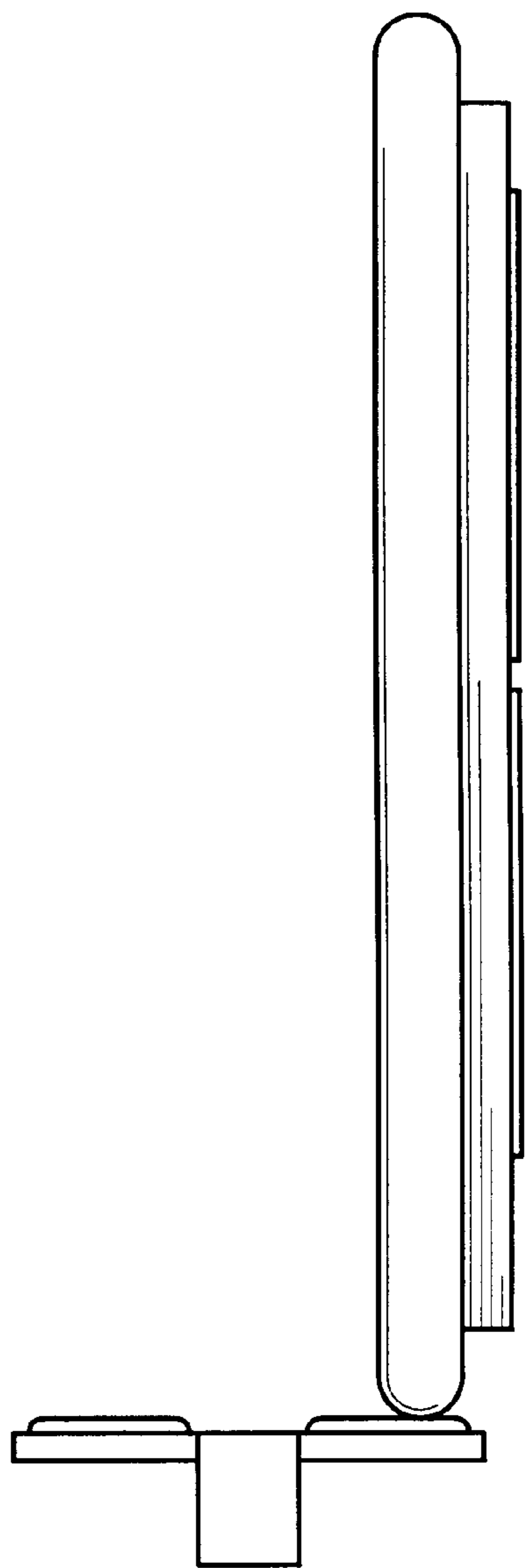


FIG. 6

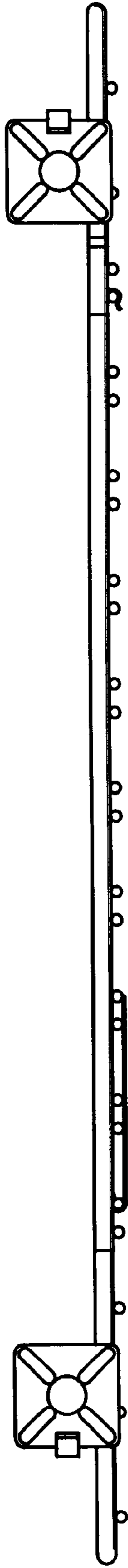


FIG. 7

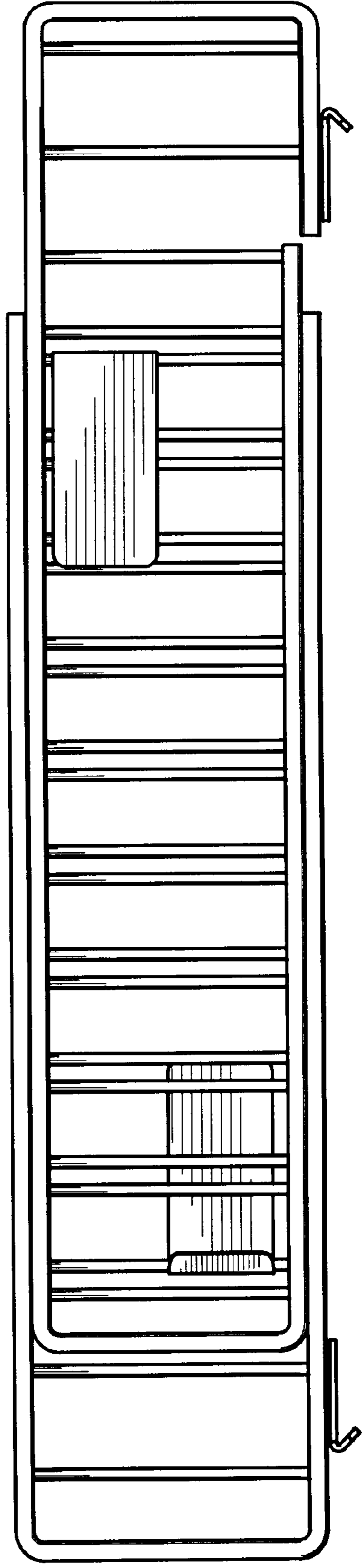
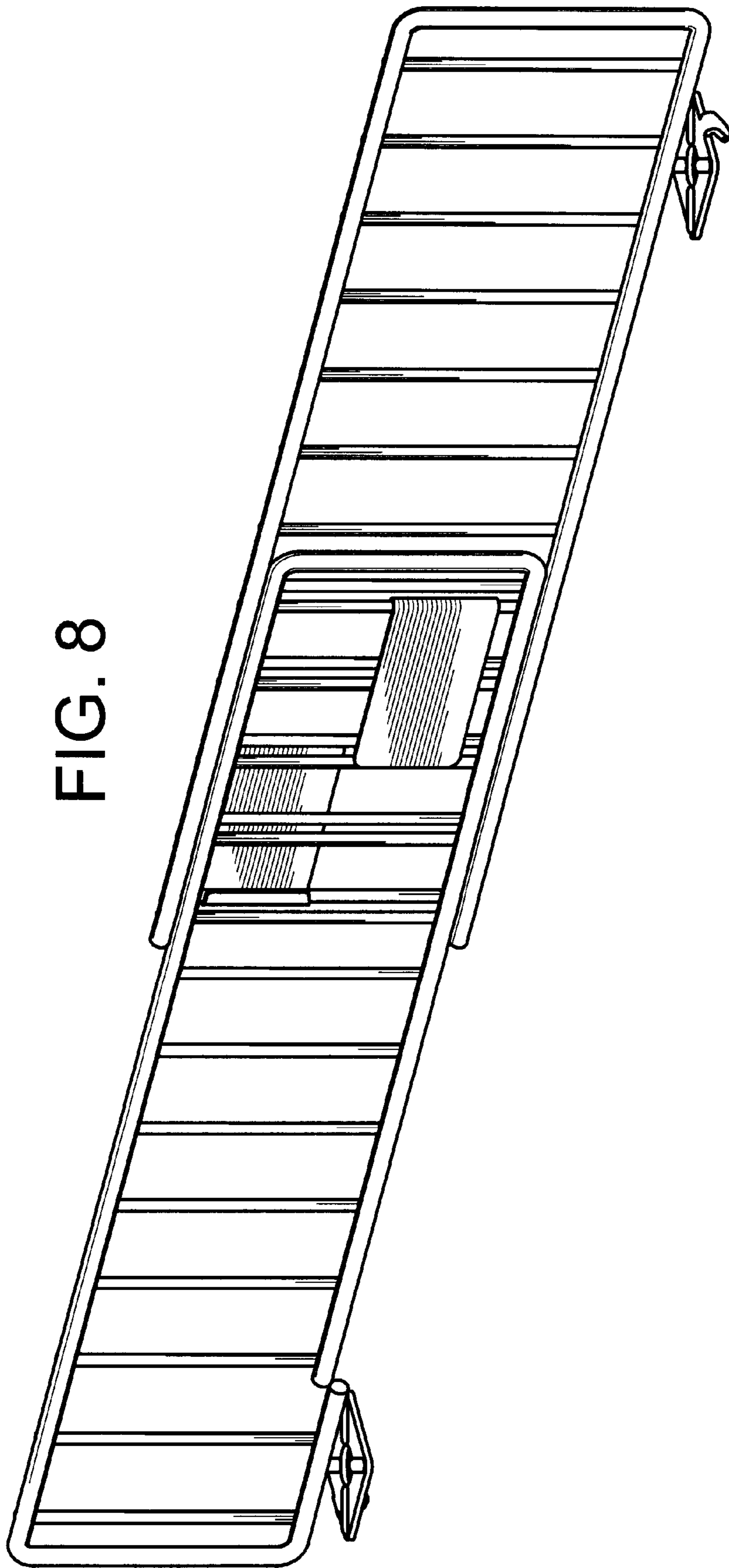


FIG. 8





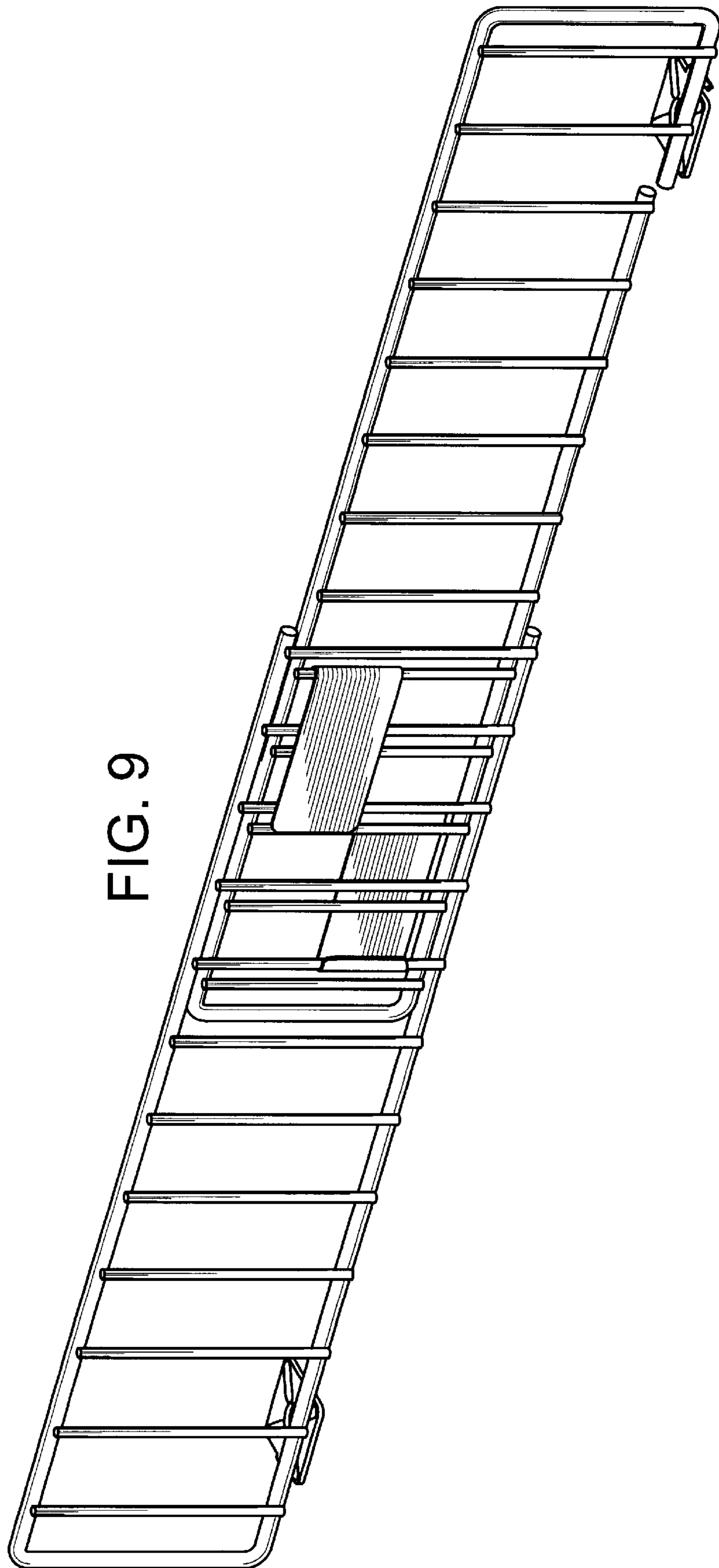


FIG. 9

FIG. 10

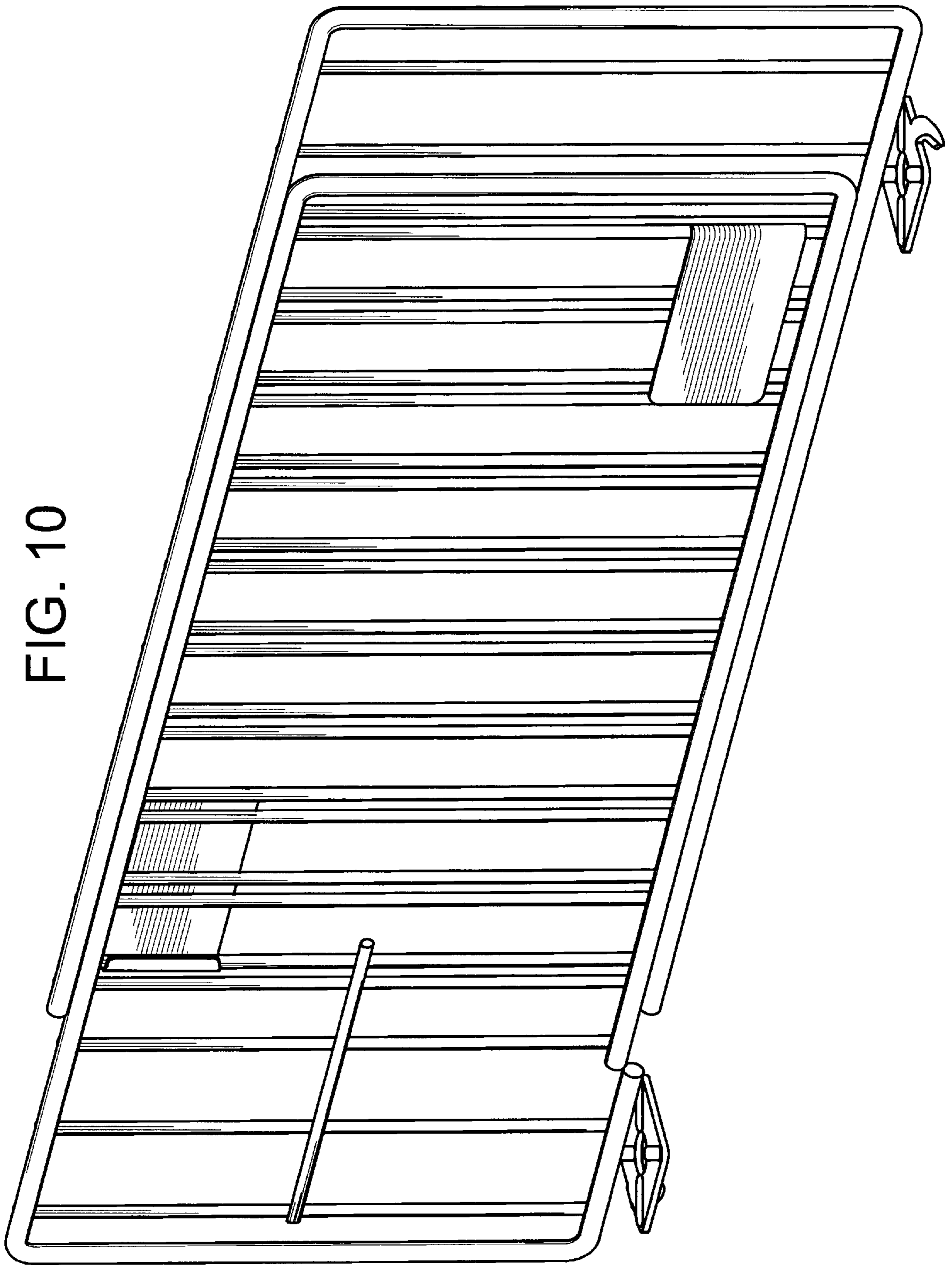




FIG. 11

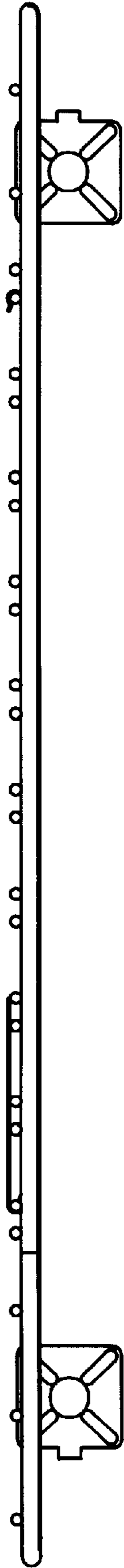


FIG. 12

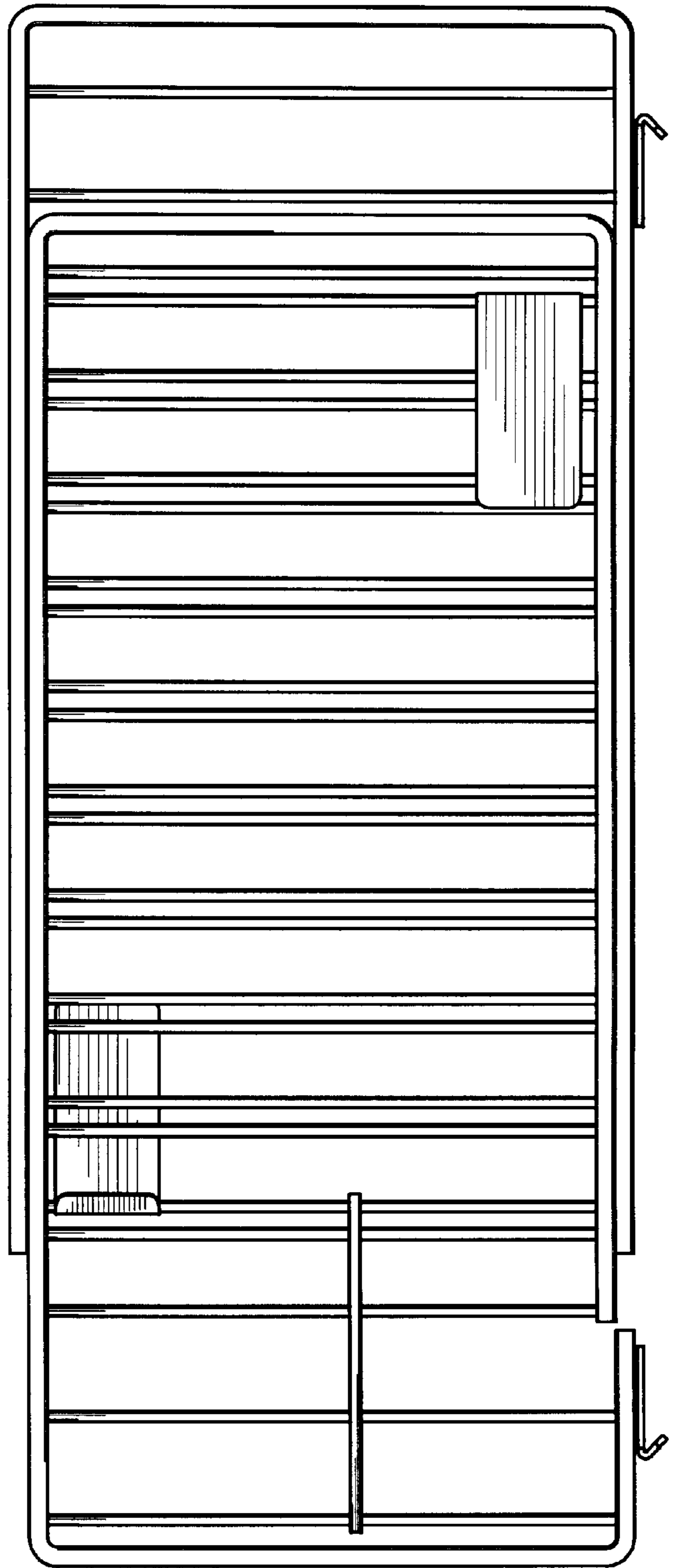


FIG. 13

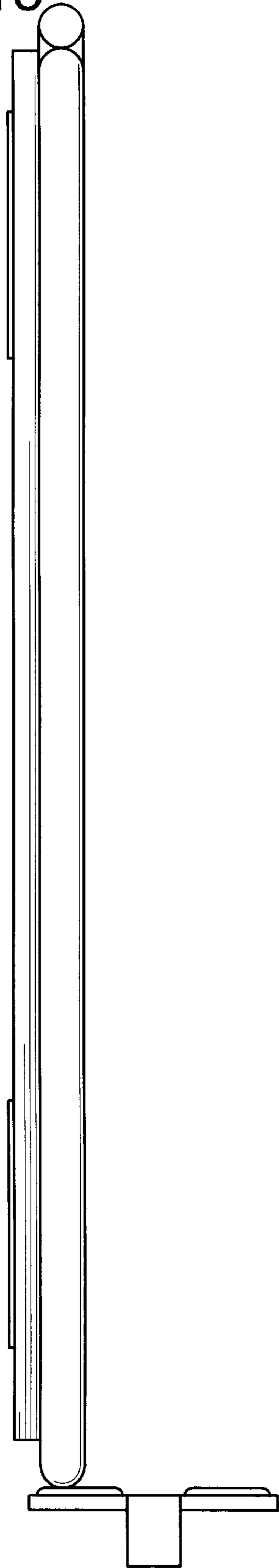
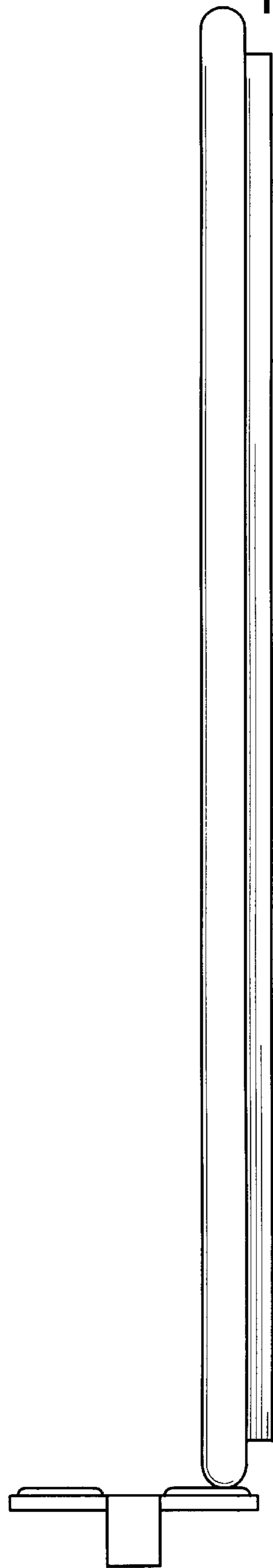


FIG. 14



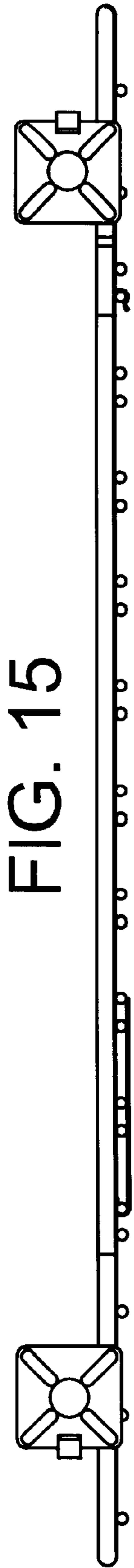


FIG. 15

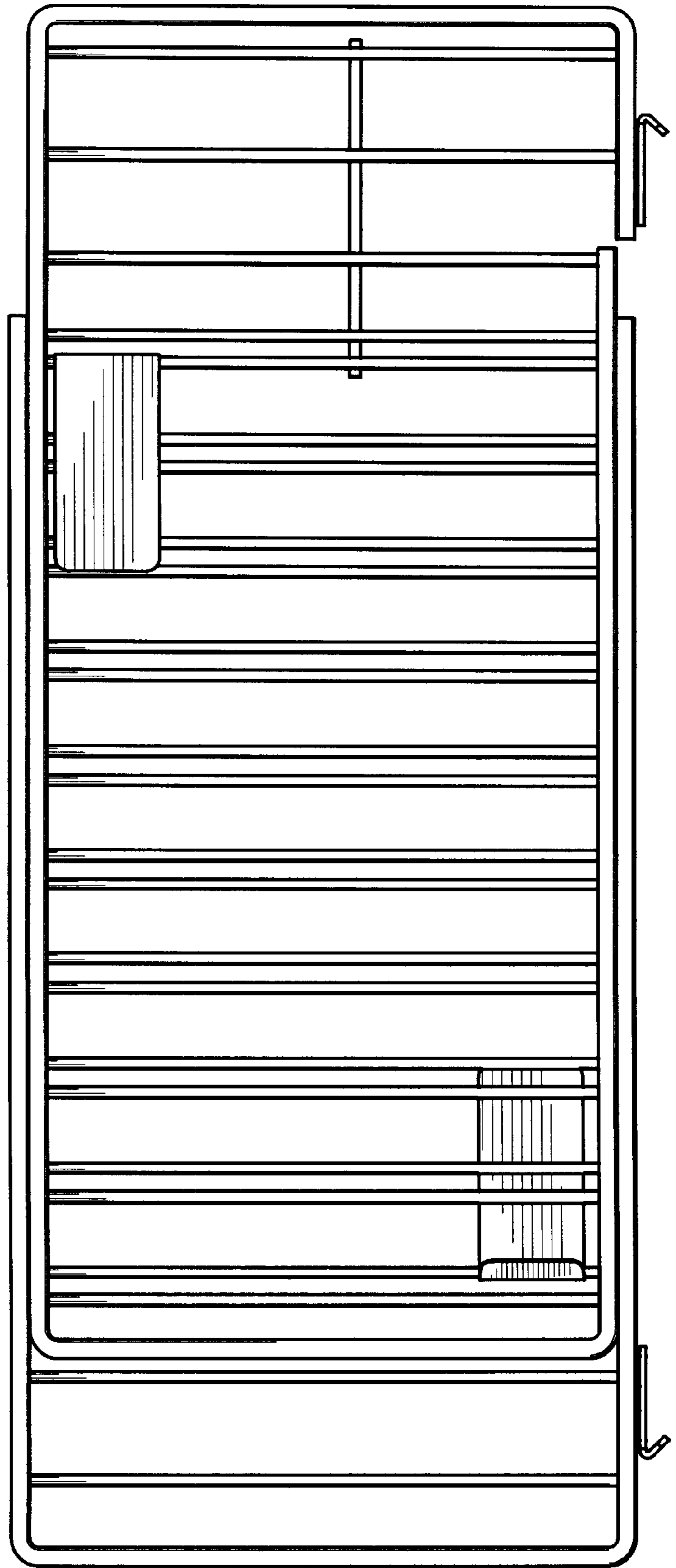
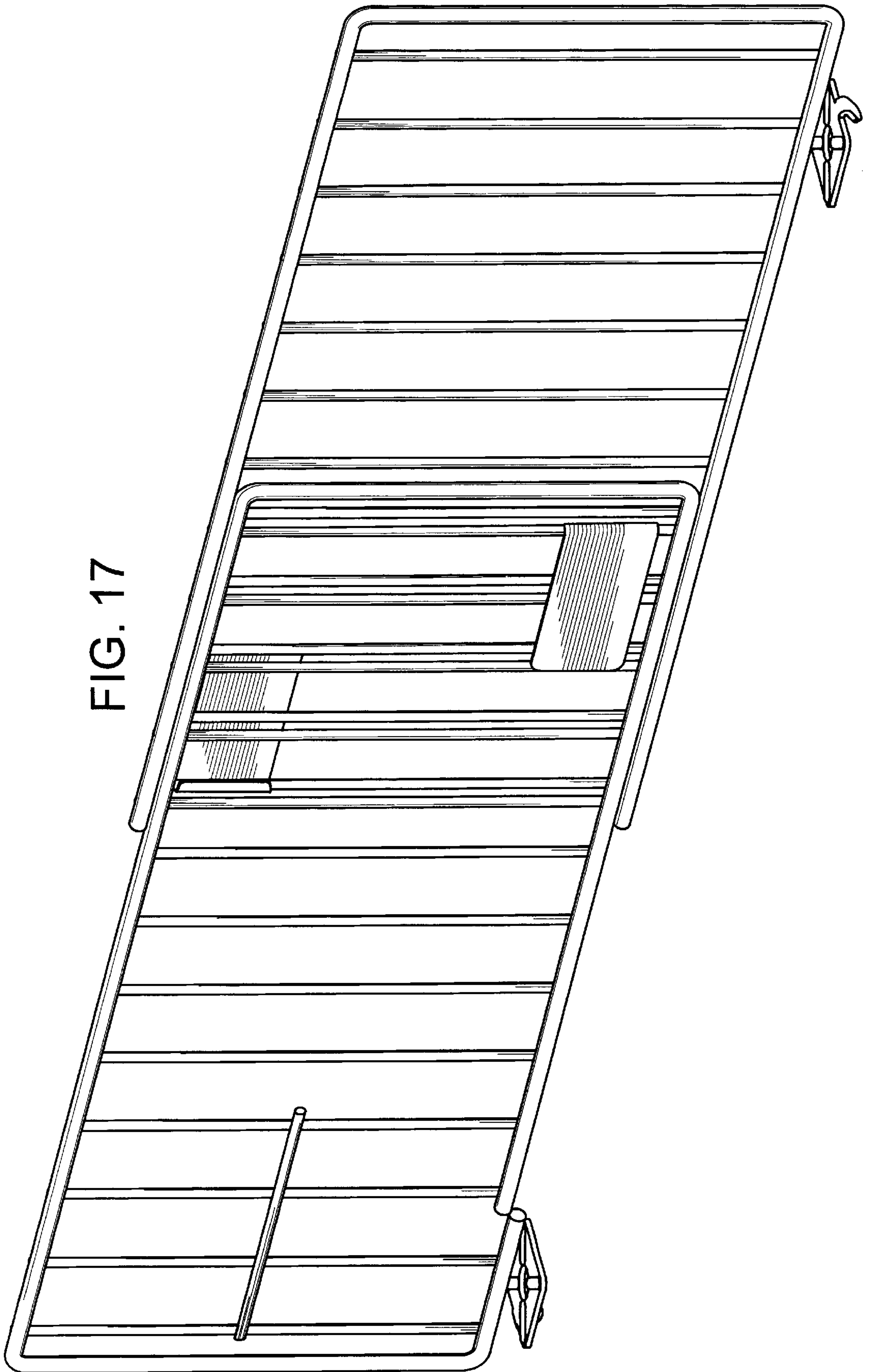


FIG. 16

FIG. 17



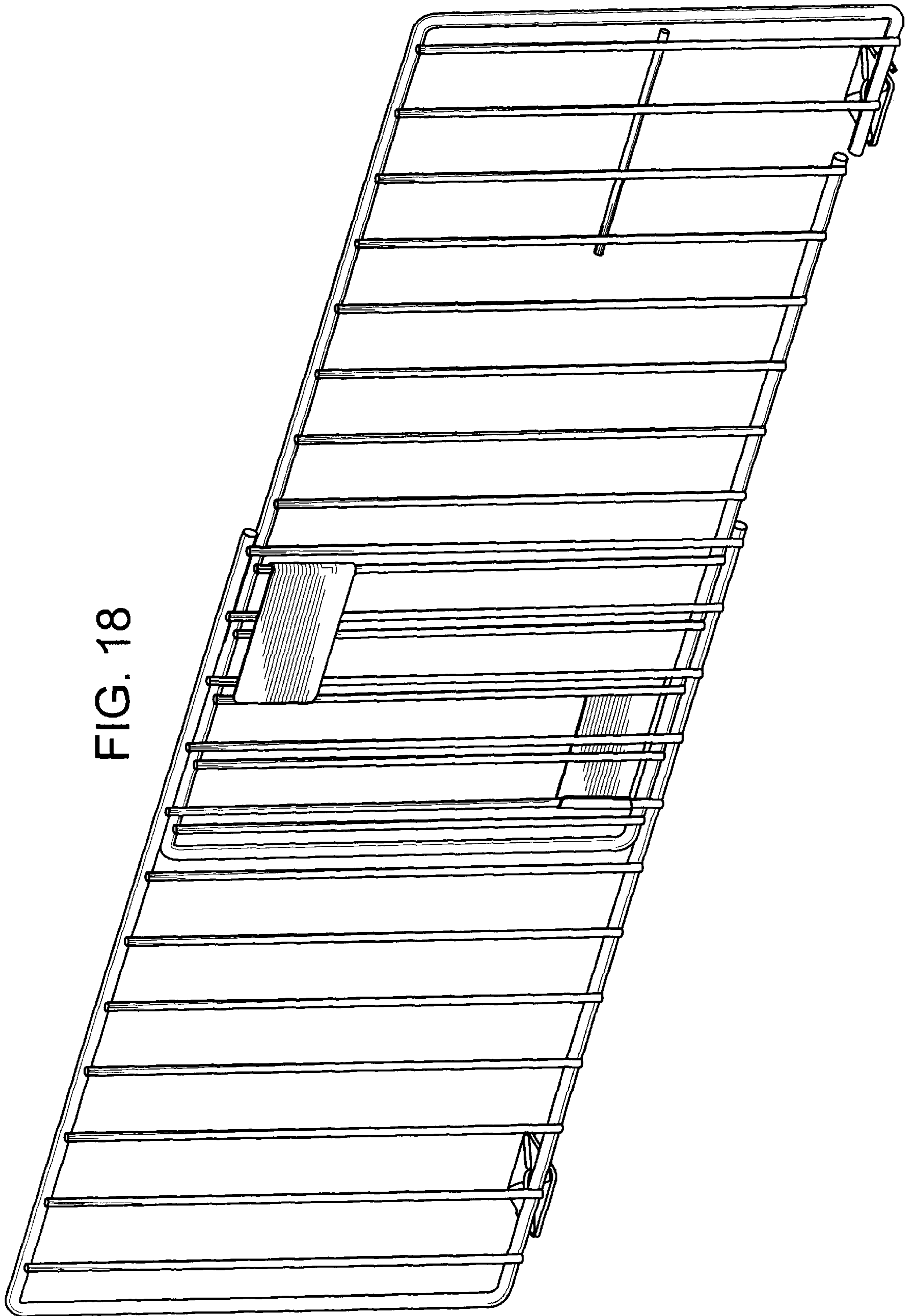


FIG. 18