



US00D472326S

(12) **United States Design Patent**  
**Hughes et al.**

(10) **Patent No.:** **US D472,326 S**

(45) **Date of Patent:** **\*\* Mar. 25, 2003**

(54) **FENCE RAIL**

(75) **Inventors:** **Roderick E. Hughes**, Newport Beach, CA (US); **Kevin Fidati**, Fayetteville, GA (US); **Joe Schiff**, Peachtree City, GA (US); **Jack Cuttle**, Fairburn, GA (US); **George Vuduris**, Peachtree City, GA (US)

(73) **Assignees:** **Extrutech International, Inc.**, Cost Mesa, CA (US); **Tri-Ex Composites Incorporated**, Newnan, GA (US)

(\*\*) **Term:** **14 Years**

(21) **Appl. No.:** **29/135,708**

(22) **Filed:** **Jan. 16, 2001**

(51) **LOC (7) Cl.** ..... **25-02**

(52) **U.S. Cl.** ..... **D25/38**

(58) **Field of Search** ..... D25/43, 44, 38,  
D25/122; 256/59

(56) **References Cited**

**U.S. PATENT DOCUMENTS**

3,041,719 A *	7/1962	Haseltine	.....	D25/122
3,554,494 A	1/1971	Bee		
4,181,764 A *	1/1980	Totten	.....	256/65
4,208,175 A	6/1980	Rosenbaum		
4,453,357 A	6/1984	Zwilgmeyer		
4,514,449 A	4/1985	Budich et al.		
4,610,902 A	9/1986	Eastman		
4,746,688 A	5/1988	Bistak et al.		
4,972,537 A	11/1990	Slaw, Sr.		
5,077,948 A	1/1992	Olson et al.		
5,100,109 A	3/1992	Robbins, III		
5,329,741 A	7/1994	Nicolaidis et al.		
5,404,685 A	4/1995	Collins		
5,416,139 A	5/1995	Zeiszler		
5,418,028 A	5/1995	DeWitt		
5,706,620 A	1/1998	De Zen		
5,743,986 A	4/1998	Colombo		

5,883,191 A	3/1999	Hughes
D409,869 S	5/1999	Marusak
5,953,878 A	9/1999	Johnson
6,039,307 A	3/2000	De Zen
D426,320 S	6/2000	Andres
6,133,349 A	10/2000	Hughes

**OTHER PUBLICATIONS**

Hughes, patent application Ser. No. 09/488,172, filed Jan. 20, 2000.

Hughes, patent application Ser. No. 09/488,287, filed Jan. 20, 2000.

Hughes, patent application Ser. No. 29/135,696, filed Jan. 16, 2001.

Hughes, patent application Ser. No. 29/135,695, filed Jan. 16, 2001.

Hughes, patent application Ser. No. 09/761,331, filed Jan. 16, 2001.

\* cited by examiner

*Primary Examiner*—Doris Clark

(74) *Attorney, Agent, or Firm*—Stout, Uxa, Buyan & Mullins, LLP; Frank J. Uxa

(57) **CLAIM**

The ornamental design for fence rail, as shown and described.

**DESCRIPTION**

FIG. 1 is a perspective view showing the top, front and left side of the fence rail.

FIG. 2 is a view showing the back of the fence rail of the present invention.

FIG. 3 is a view showing the bottom of the fence rail of the present invention.

FIG. 4 is a view showing the right side of the fence rail of the present invention; and,

FIG. 5 is an enlargement of area 5 in FIG. 2 of the fence rail of the present invention.

**1 Claim, 1 Drawing Sheet**

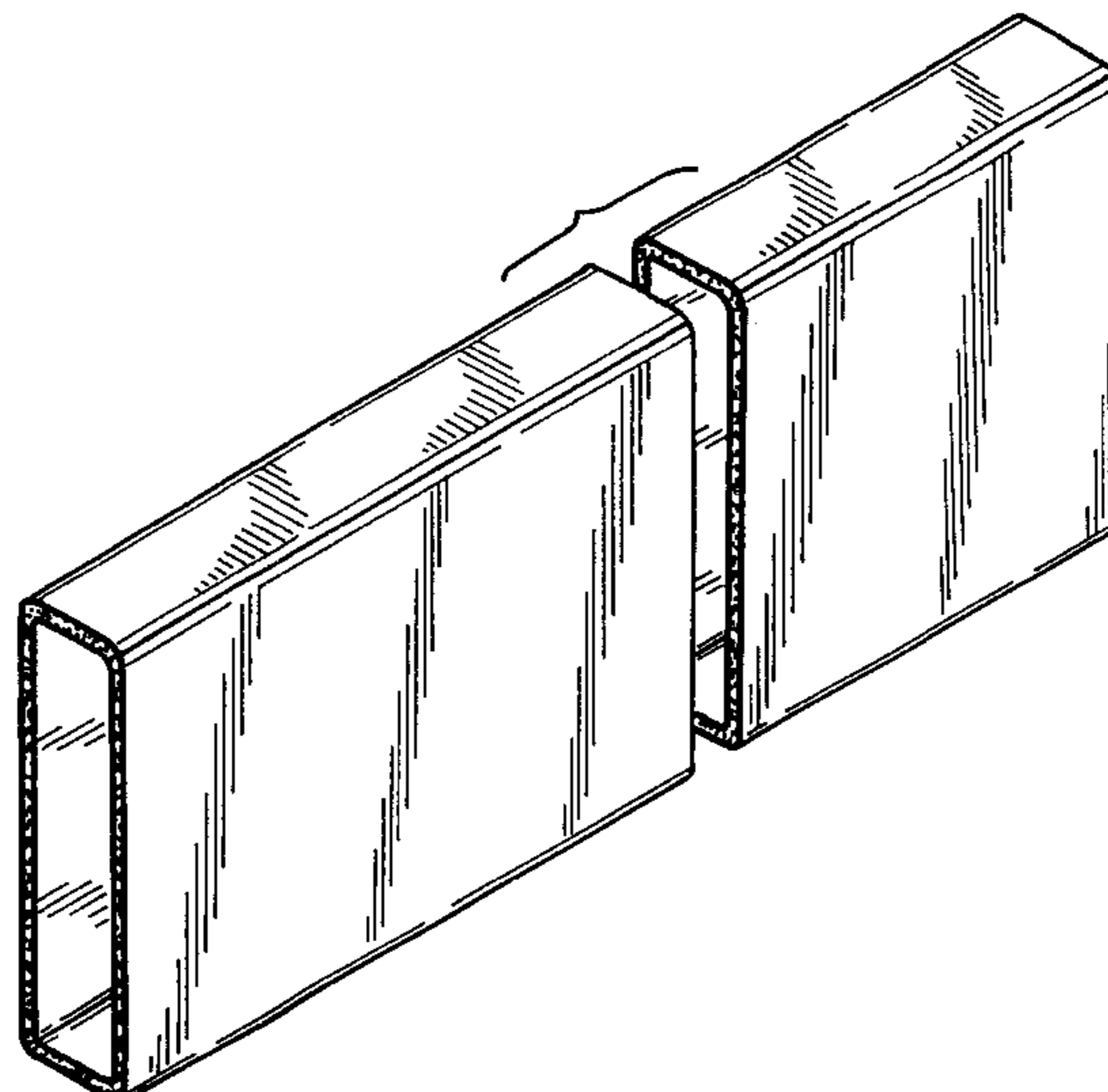


FIG. 1

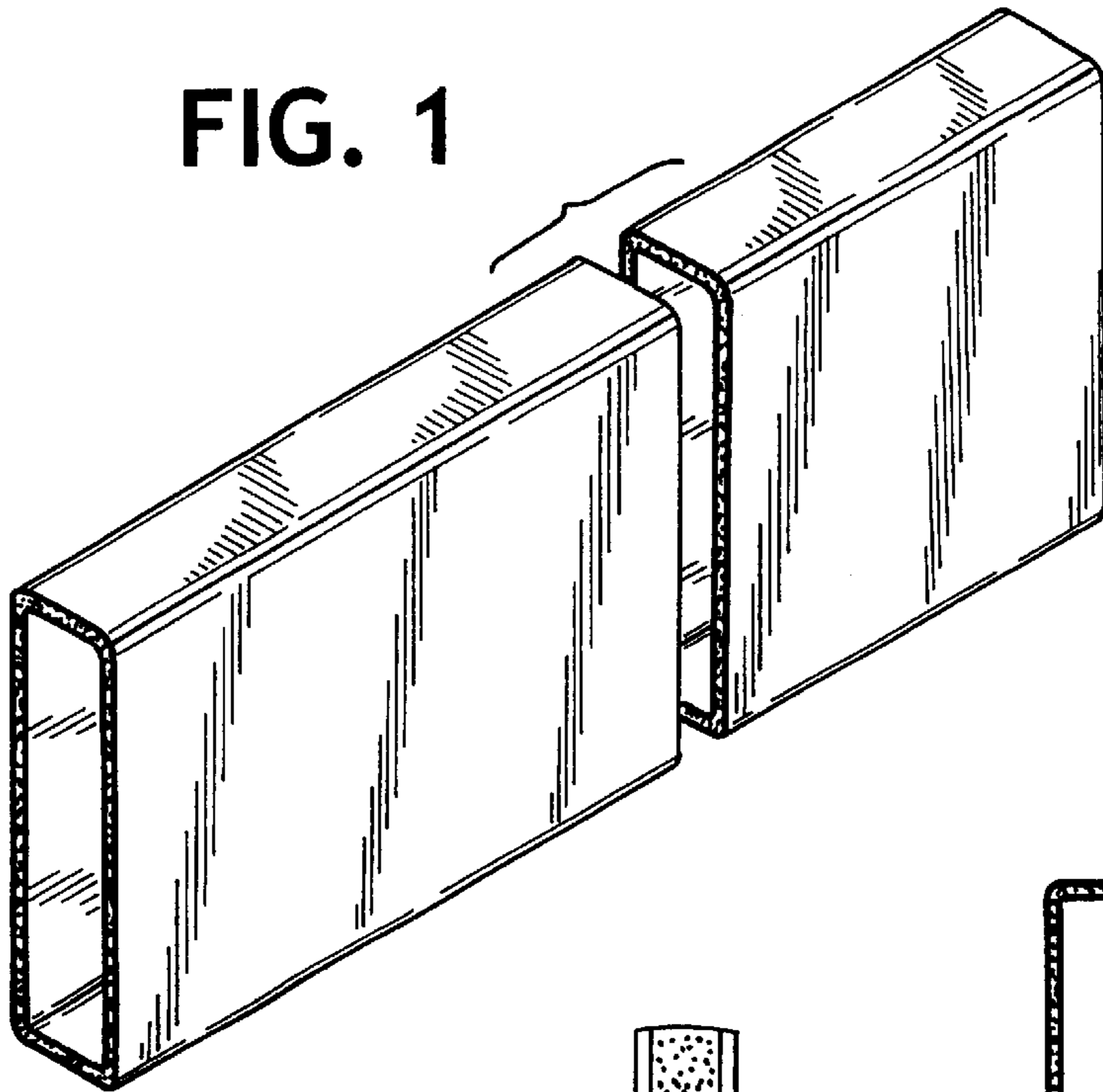


FIG. 2

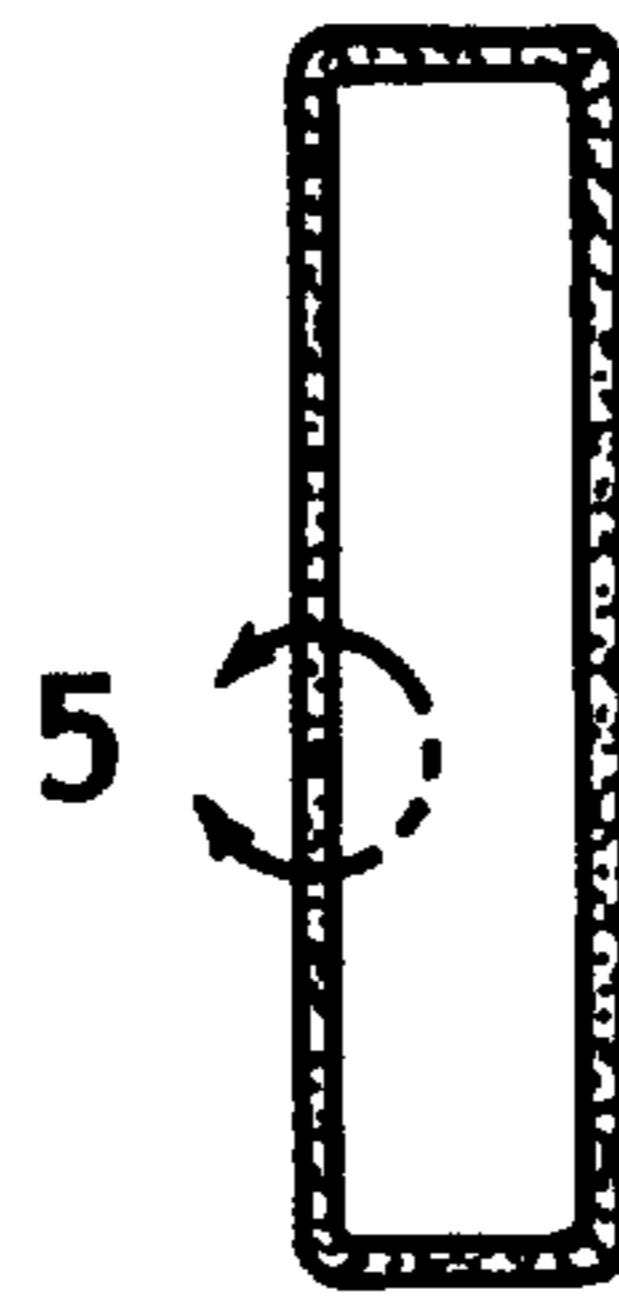


FIG. 5

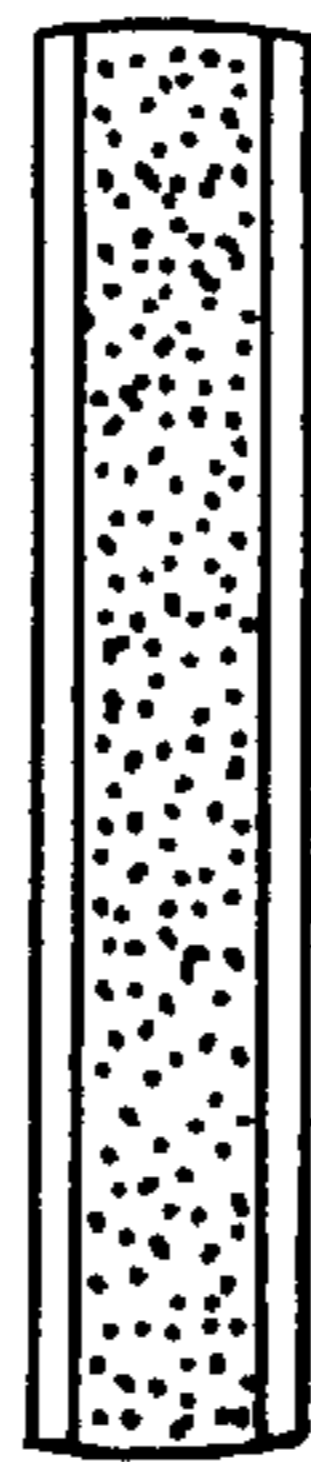


FIG. 3

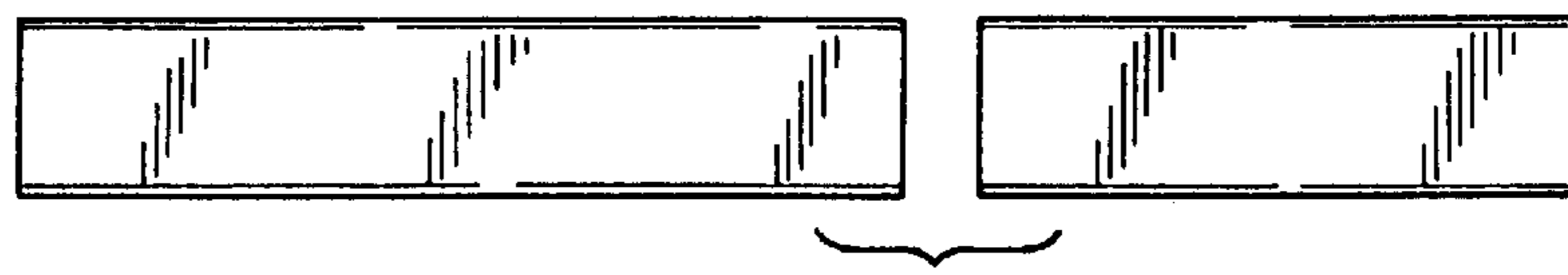


FIG. 4

