



US00D472324S

(12) **United States Design Patent**
Rumore et al.

(10) **Patent No.:** **US D472,324 S**

(45) **Date of Patent:** **** Mar. 25, 2003**

(54) **CUVETTE**

(75) **Inventors:** **Frank C. Rumore**, Lebanon, NJ (US);
Charles Balas, Jr., Madison, CT (US)

(73) **Assignee:** **Charles River Laboratories, Inc.**,
Wilmington, MA (US)

(**) **Term:** **14 Years**

(21) **Appl. No.:** **29/158,658**

(22) **Filed:** **Apr. 5, 2002**

(51) **LOC (7) Cl.** **24-02**

(52) **U.S. Cl.** **D24/224; D24/216**

(58) **Field of Search** D24/224, 225,
D24/216, 223; 422/102, 101, 59, 58, 68.1;
435/283.1, 288.4, 288.5, 288.6, 286.5, 288.2,
288.3, 307.1

(56) **References Cited**

U.S. PATENT DOCUMENTS

D258,144 S	2/1981	Kallet et al.	D24/224
D278,182 S	3/1985	Aihara et al.	D24/224
4,806,316 A *	2/1989	Johnson et al.	422/58
D325,090 S	3/1992	Karp et al.	D24/226
D330,428 S	10/1992	Lewis et al.	D24/224
D342,793 S	12/1993	Balmer	D24/224
D343,905 S	2/1994	Nagata et al.	D24/224
D353,676 S	12/1994	Kelln et al.	D24/224
5,372,946 A	12/1994	Cusak et al.	436/69
5,504,011 A	4/1996	Gavin et al.	436/69

D380,555 S	7/1997	Kurosaki et al.	D24/224
D390,661 S	2/1998	Foggia	D24/167
D391,373 S	2/1998	Shartle	D24/224
5,731,212 A	3/1998	Gavin et al.	436/526
5,836,360 A	11/1998	Gavin et al.	141/126
6,046,021 A *	4/2000	Bochner	435/307.1
D437,419 S	2/2001	Kraack et al.	D24/224
D445,909 S	7/2001	Pogorzelski	D24/224
6,303,389 B1 *	10/2001	Levin et al.	422/58
6,440,722 B1 *	8/2002	Knapp et al.	422/68.1
D463,570 S *	9/2002	Bedingham et al.	D24/216

* cited by examiner

Primary Examiner—Ian Simmons

(74) *Attorney, Agent, or Firm*—Testa, Hurwitz & Thibault, LLP

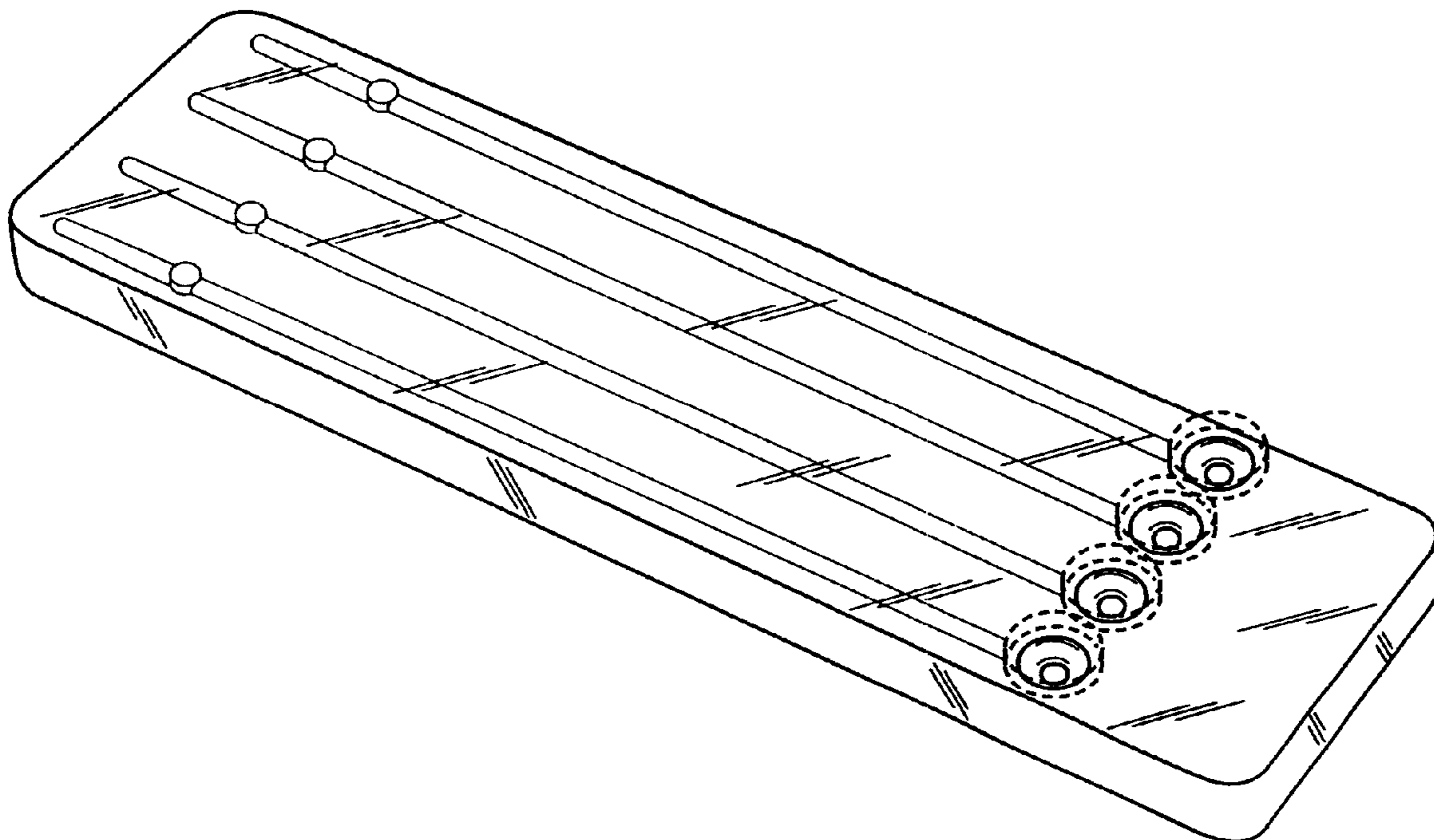
(57) **CLAIM**

The ornamental design for a cuvette, as shown and described.

DESCRIPTION

FIG. 1 is a perspective view of the cuvette;
FIG. 2 is a top view of the cuvette;
FIG. 3 is a bottom view of the cuvette;
FIG. 4 is a side view of the cuvette;
FIG. 5 is a front view of the cuvette; and,
FIG. 6 is a back view of the cuvette.
The portions of the cuvette shown in broken lines throughout the views are for illustrative purposes only and are not part of the design sought to be patented.

1 Claim, 2 Drawing Sheets



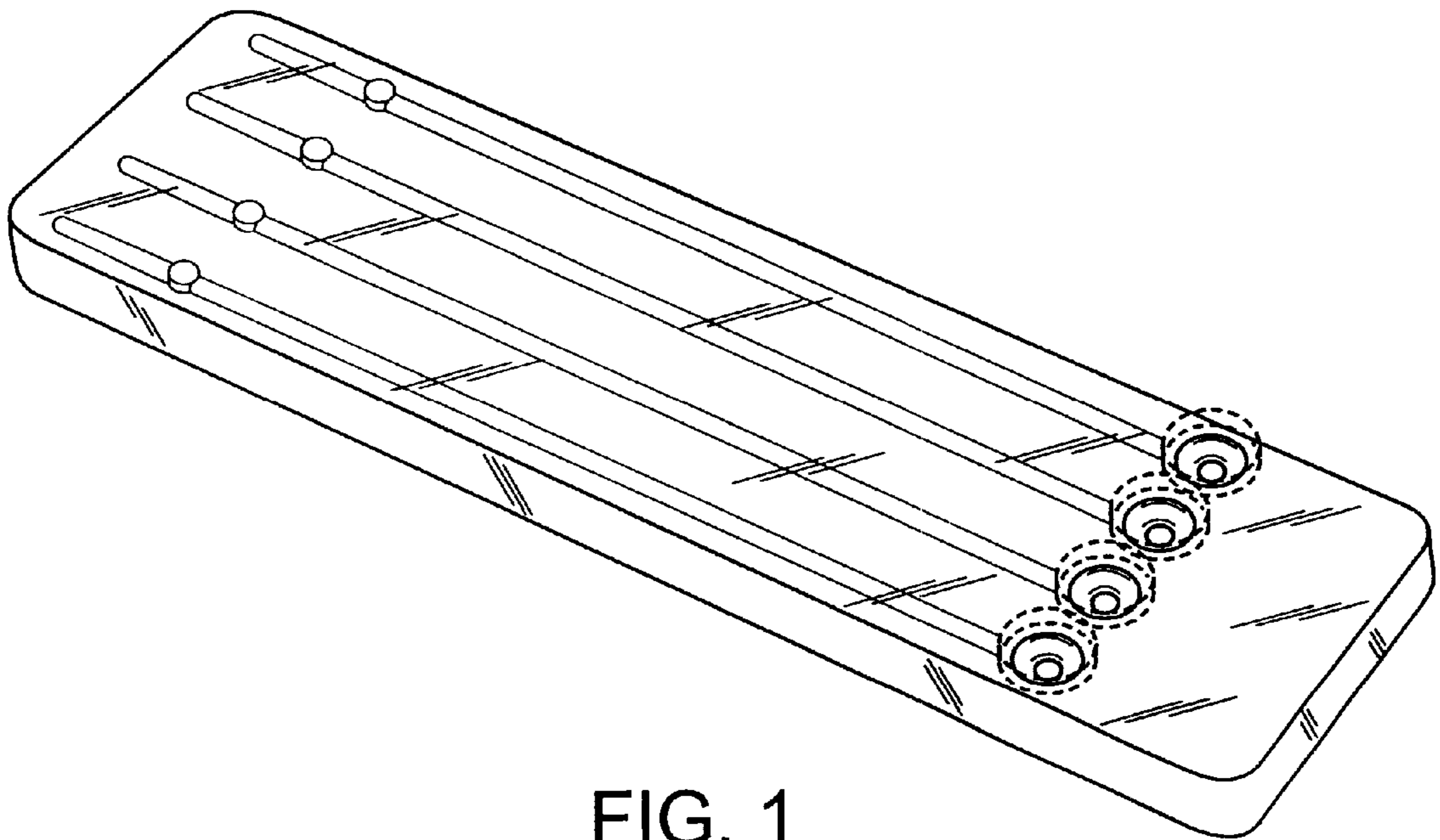


FIG. 1

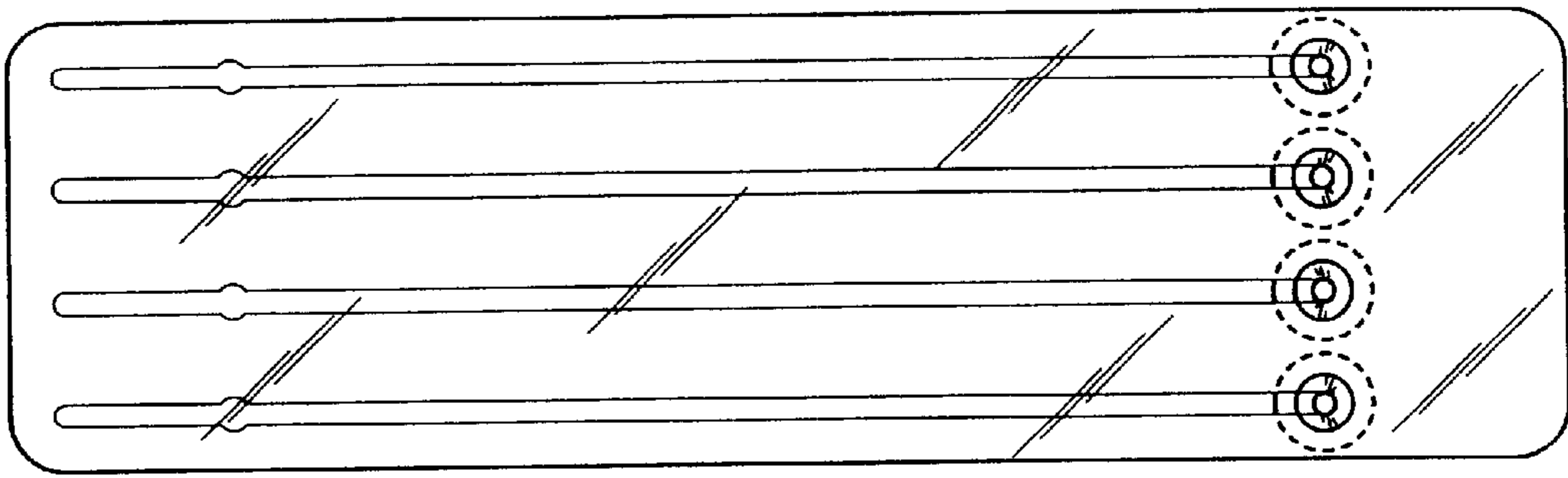


FIG. 2

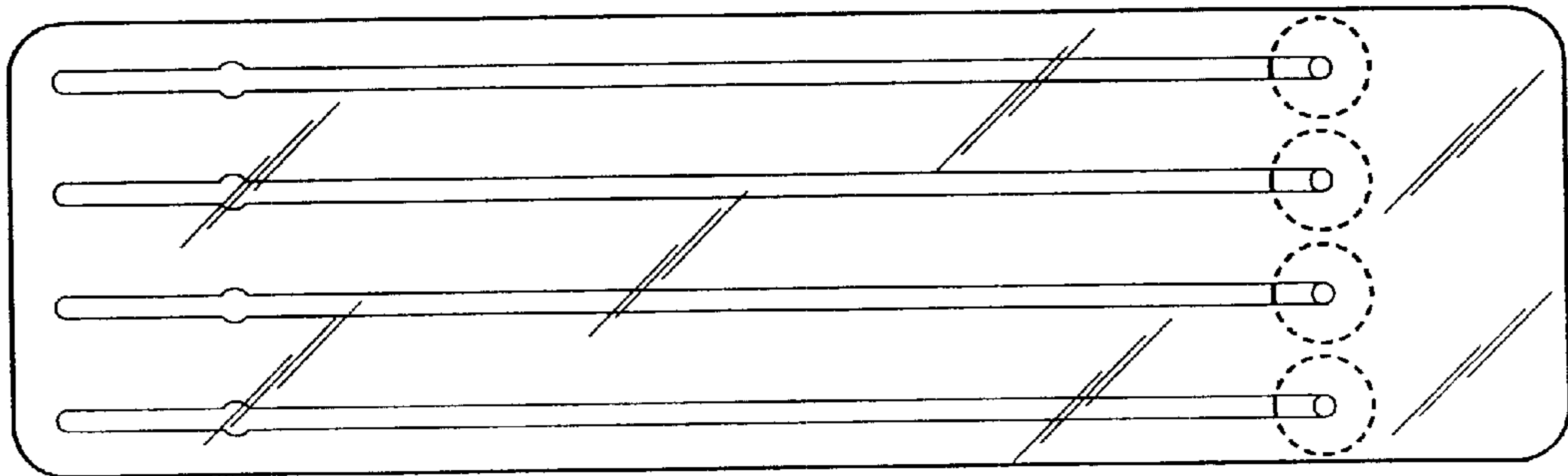


FIG. 3

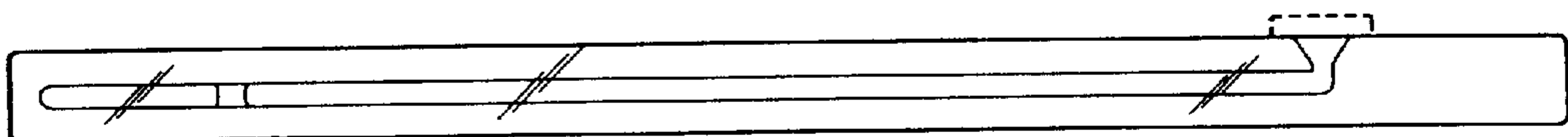


FIG. 4

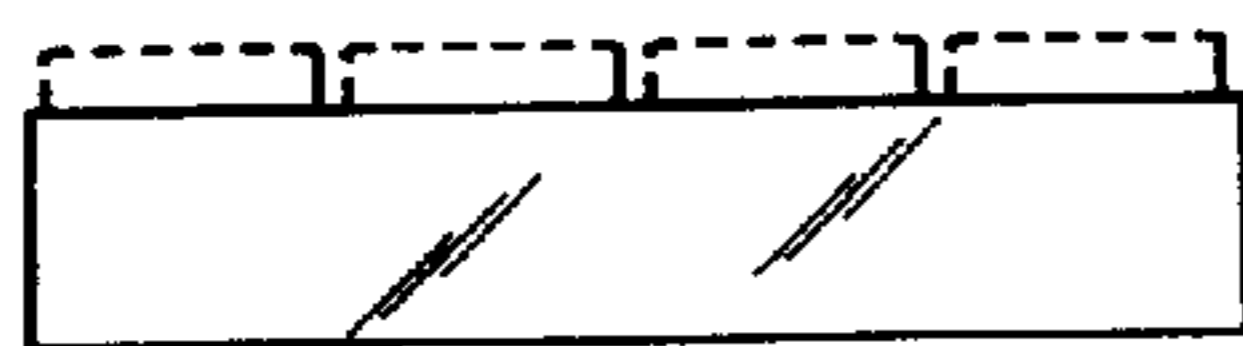


FIG. 5

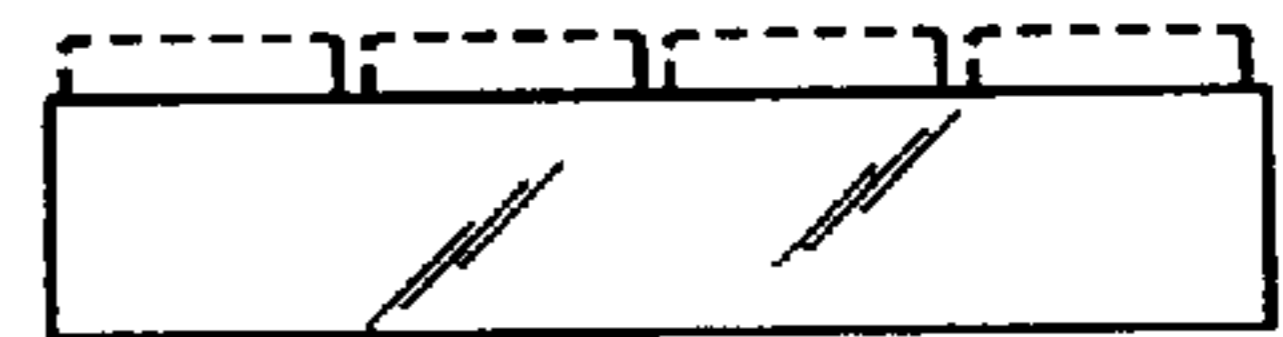


FIG. 6