



US00D472323S

(12) **United States Design Patent**
Sand

(10) **Patent No.:** **US D472,323 S**

(45) **Date of Patent:** **** Mar. 25, 2003**

(54) **HAND-HELD MIXER FOR FLOWABLE MATERIALS**

6,210,031 B1 * 4/2001 Murray 366/139

* cited by examiner

(75) Inventor: **Paul M. Sand**, San Carlos, CA (US)

Primary Examiner—Ian Simmons

(73) Assignee: **Kyphon Inc.**, Sunnyvale, CA (US)

(74) *Attorney, Agent, or Firm*—Ryan Kromholz & Manion, S.C.

(**) Term: **14 Years**

(57) **CLAIM**

(21) Appl. No.: **29/154,249**

The ornamental design of a hand-held mixer for flowable materials, as shown and described.

(22) Filed: **Jan. 15, 2002**

DESCRIPTION

(51) **LOC (7) Cl.** **24-02**

(52) **U.S. Cl.** **D24/220**

(58) **Field of Search** D24/220, 216;
D7/412; 606/92, 93, 94; 366/139, 248,
243, 288, 142, 255

FIG. 1 is a perspective view of a hand-held mixer for flowable materials incorporating my new design.

FIG. 2 is a top plan view thereof;

FIG. 3 is a bottom plan view thereof;

FIG. 4 is a front elevational view thereof;

FIG. 5 is a rear elevational view thereof; and,

FIG. 6 is a right side view thereof, with the left side being a mirror image of the right side view.

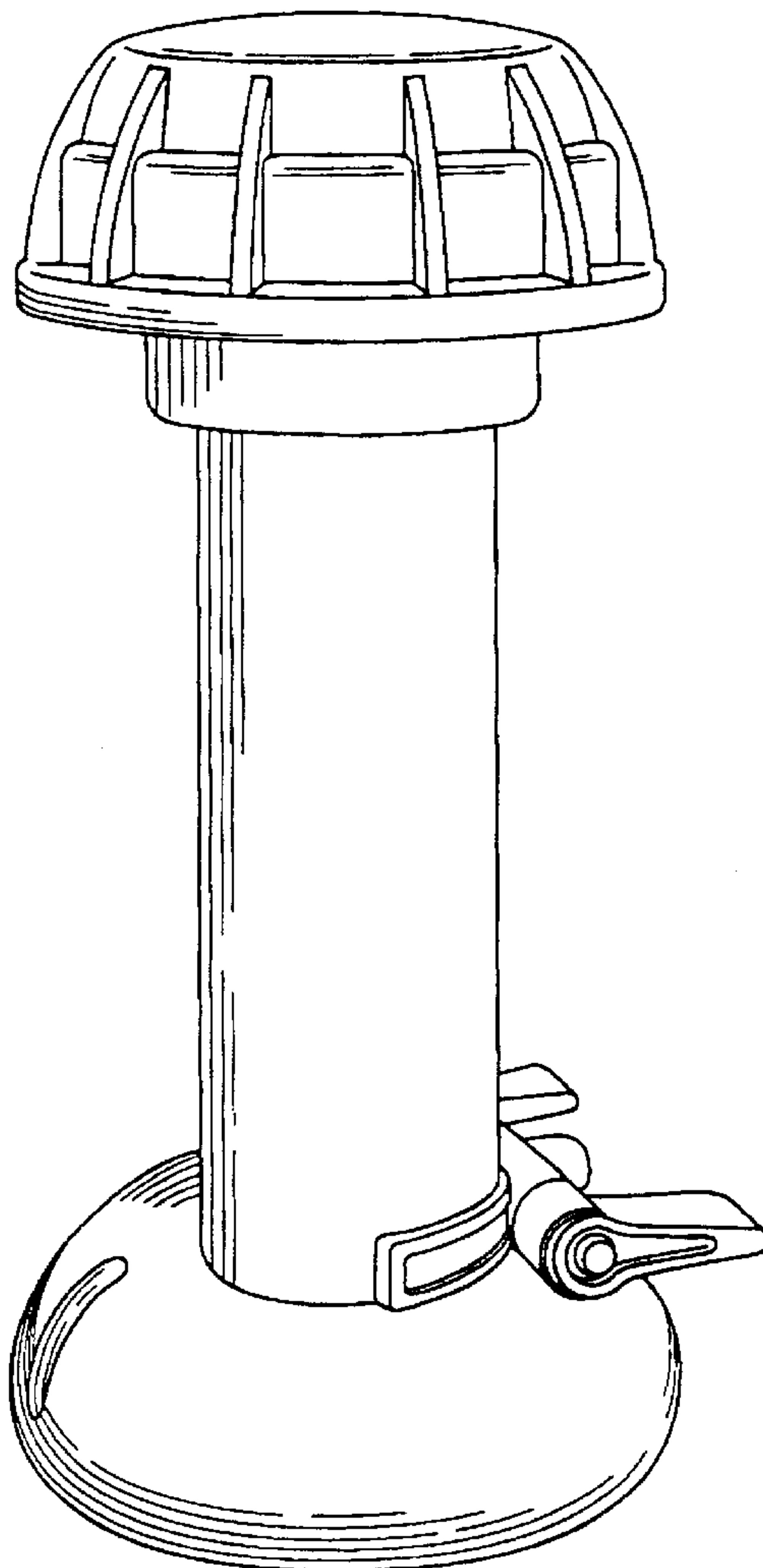
(56) **References Cited**

U.S. PATENT DOCUMENTS

D381,084 S * 7/1997 Vish D24/220

5,797,679 A * 8/1998 Grulke et al. 366/139

1 Claim, 4 Drawing Sheets



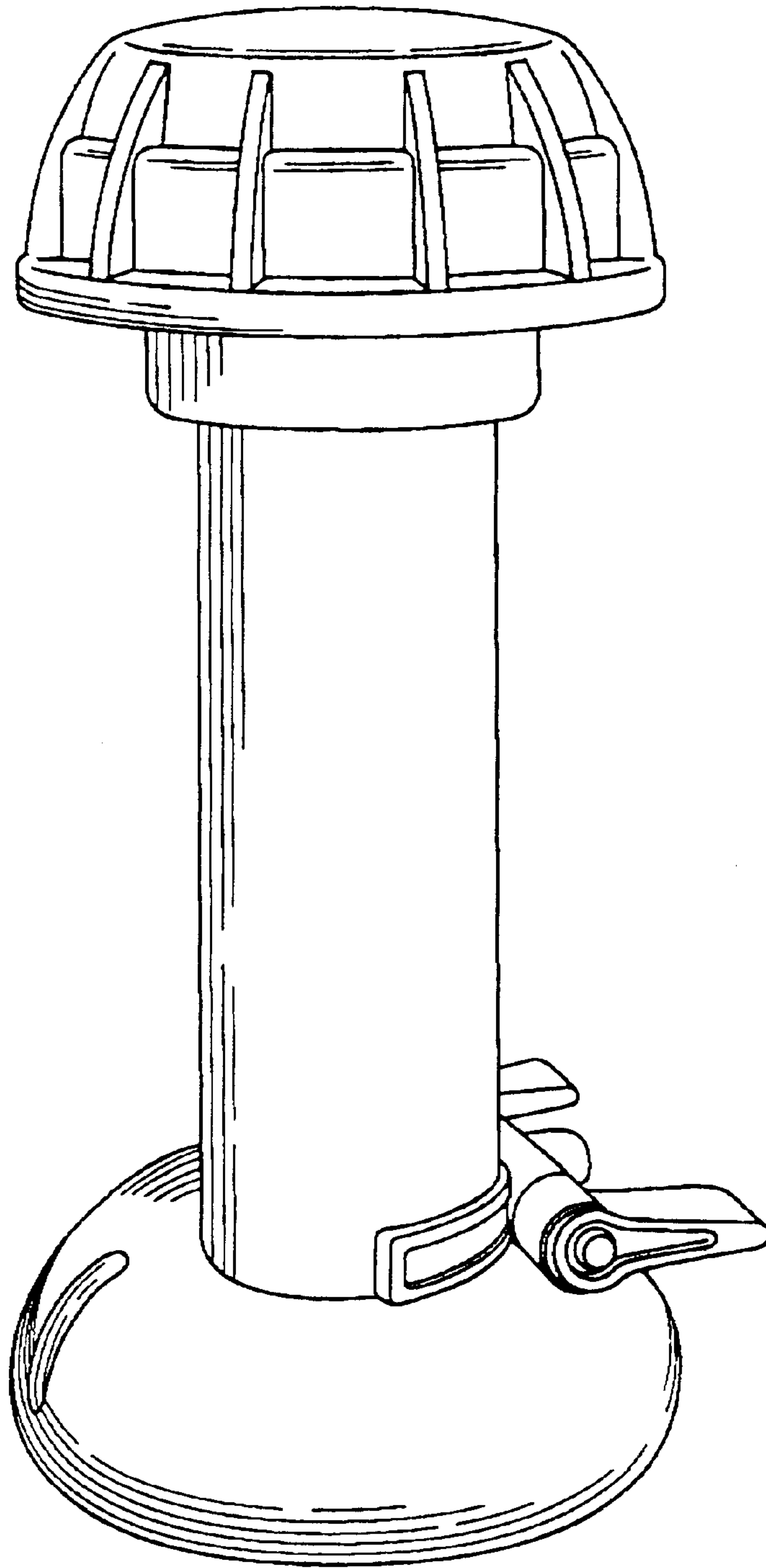


Fig. 1

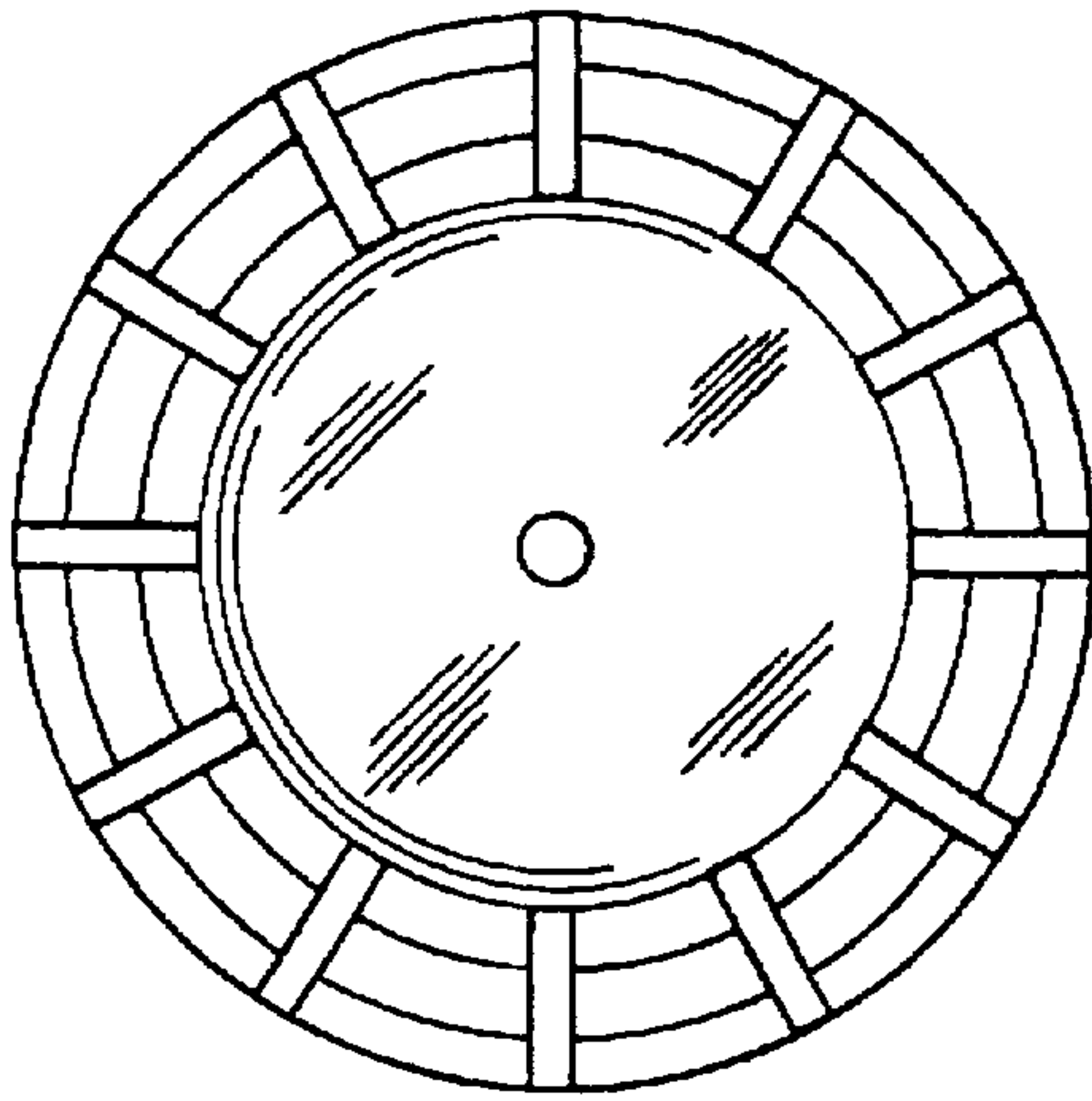


Fig. 2

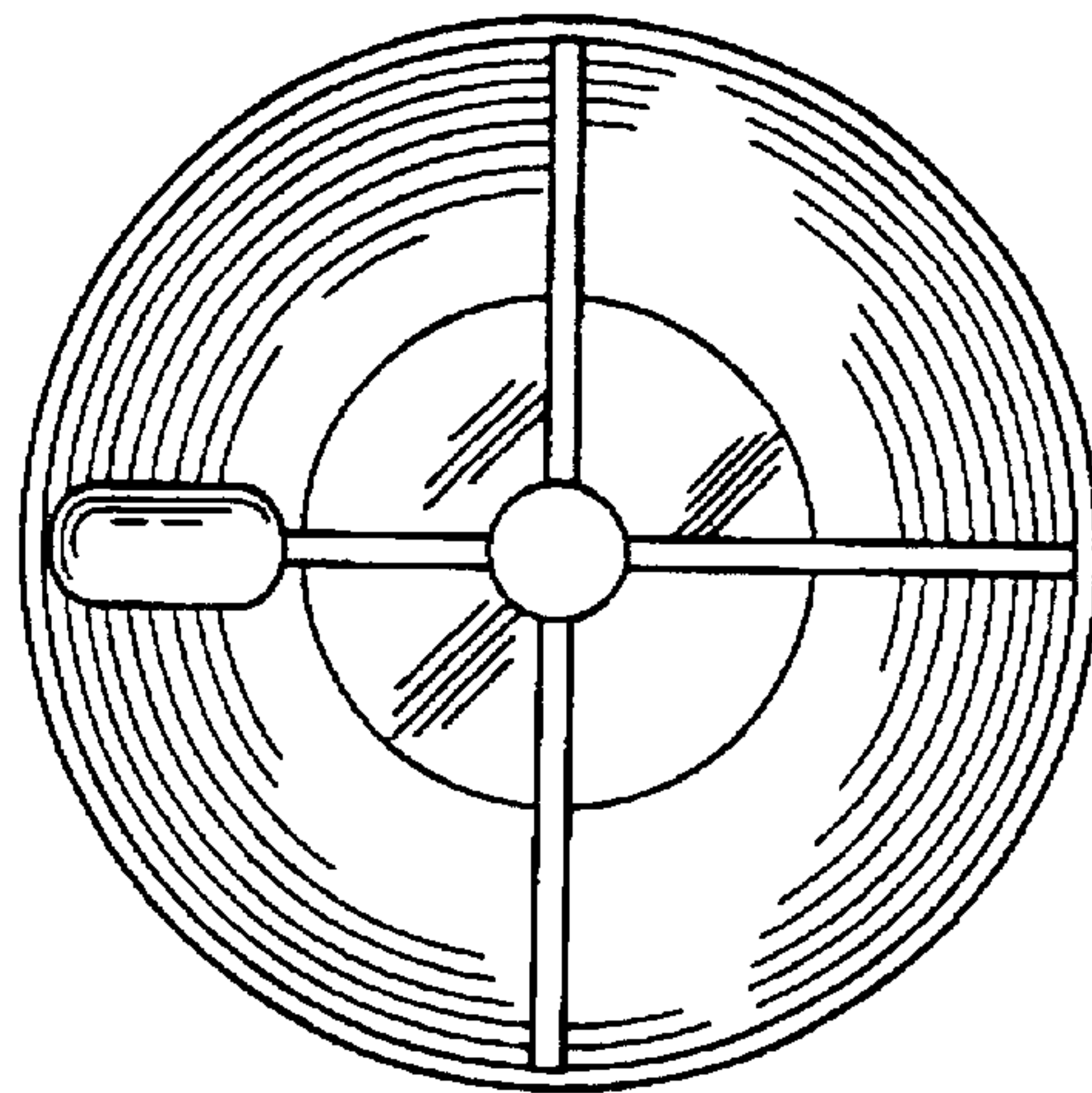


Fig. 3

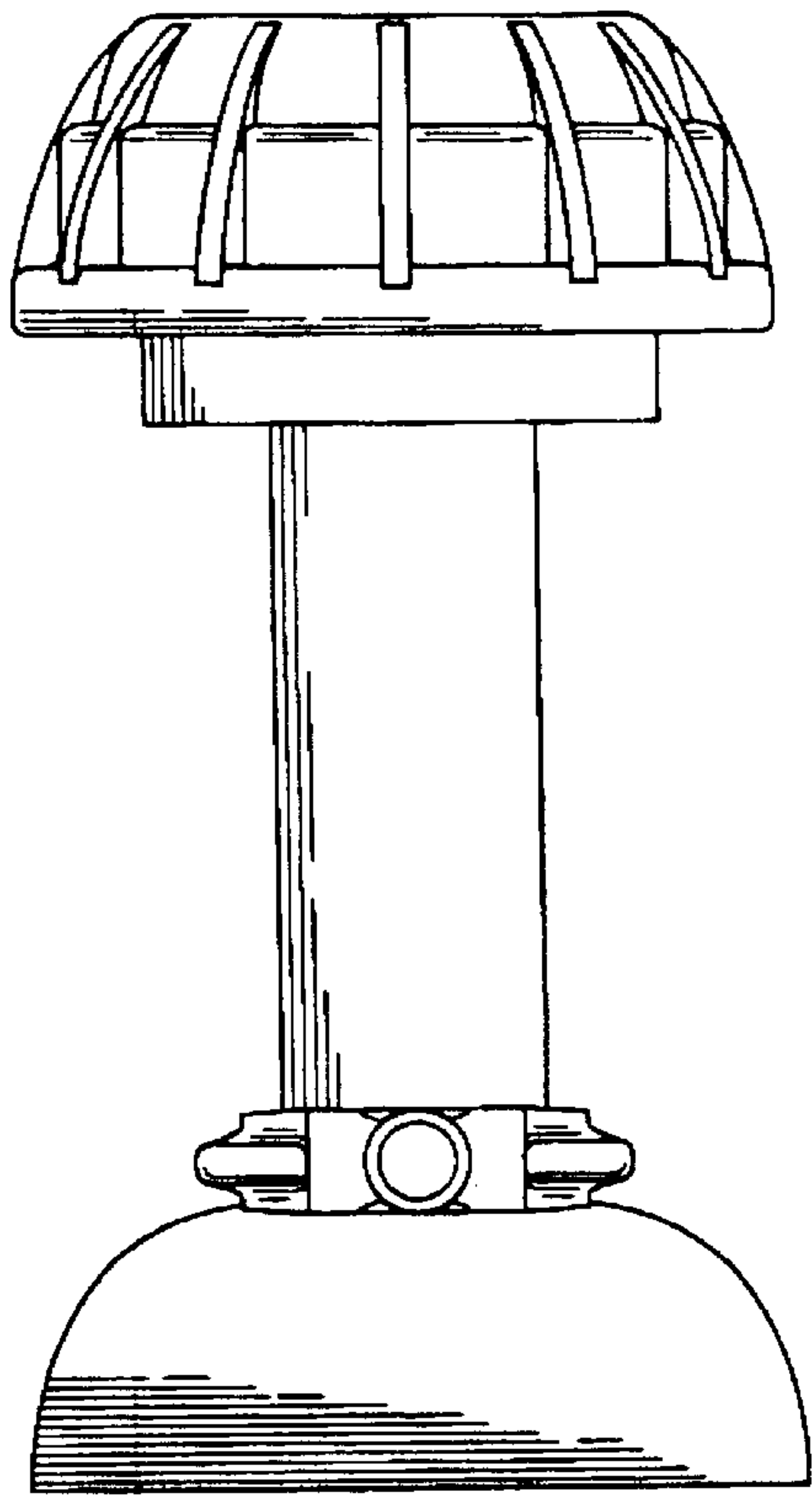


Fig. 4

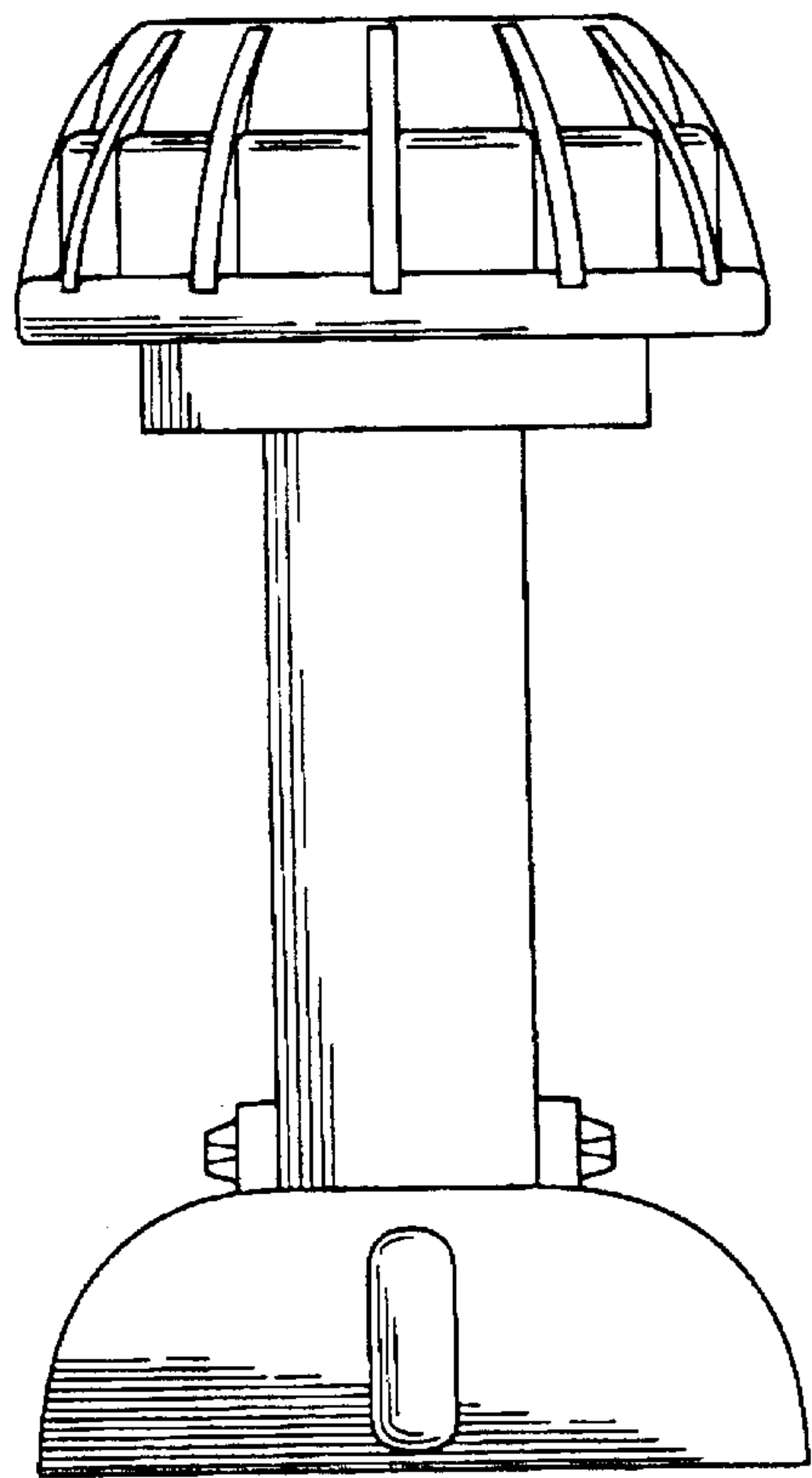


Fig. 5

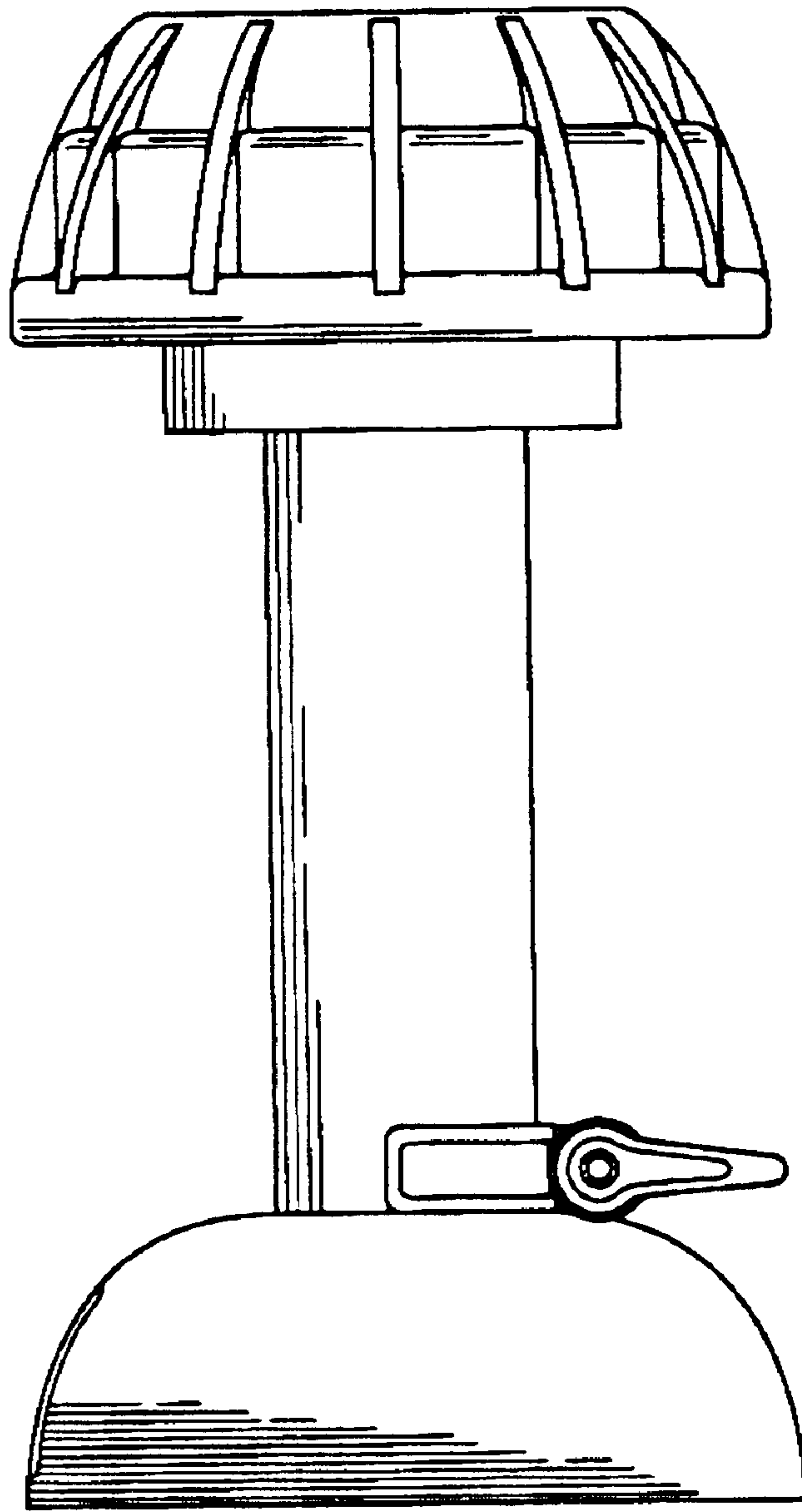


Fig. 6