



US00D472317S

(12) **United States Design Patent**
Farris

(10) **Patent No.:** **US D472,317 S**

(45) **Date of Patent:** **** *Mar. 25, 2003**

(54) **INTEGRATED SPIKE AND SYRINGE**

(76) **Inventor:** **Barry Farris**, P.O. Box 1817, Zephyr Cove, NV (US) 89948

(*) **Notice:** This patent is subject to a terminal disclaimer.

(**) **Term:** **14 Years**

(21) **Appl. No.:** **29/134,793**

(22) **Filed:** **Dec. 29, 2000**

(51) **LOC (7) Cl.** **24-02**

(52) **U.S. Cl.** **D24/130; D24/112**

(58) **Field of Search** D24/112, 130, D24/222, 114, 108, 113; 604/264, 263, 411, 412, 905, 170, 239, 240, 272, 167.02, 283, 288.3, 5, 175

(56) **References Cited**

U.S. PATENT DOCUMENTS

- 2,746,455 A * 5/1956 Abel 604/411
- 2,771,074 A * 11/1956 Landsperger et al. 604/411
- D208,838 S * 10/1967 St. Amand D24/112
- 4,838,877 A * 6/1989 Massau 604/272
- 5,041,098 A * 8/1991 Loiterman et al. 604/175

- 5,527,306 A * 6/1996 Haining 604/411
- 5,556,381 A * 9/1996 Ensminger et al. 604/288.03
- 5,976,115 A * 11/1999 Parris et al. 604/283
- 6,221,056 B1 * 4/2001 Silverman 604/167.02

* cited by examiner

Primary Examiner—Ian Simmons

(74) *Attorney, Agent, or Firm*—Bernhard Kreten

(57) **CLAIM**

The ornamental design for an integrated spike and syringe, as shown and described.

DESCRIPTION

FIG. 1 is a perspective view of an integrated spike and syringe showing my new design.

FIG. 2 is a side view thereof, the opposite side being a mirror image.

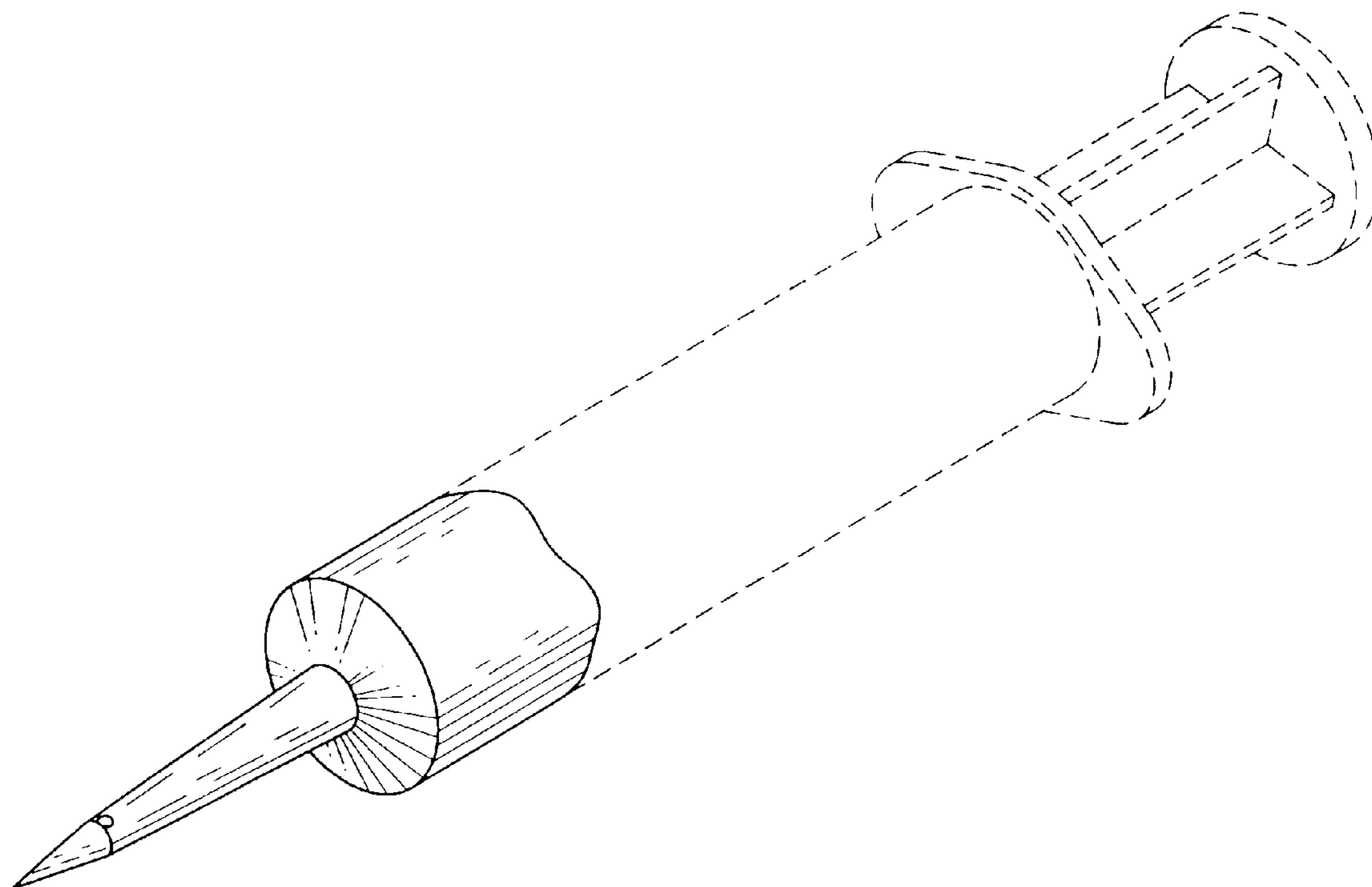
FIG. 3 is a top view thereof, the bottom being a mirror image.

FIG. 4 is a front view thereof; and,

FIG. 5 is an enlarged view of the FIG. 4 tip.

The broken-line showing of environmental structure in FIGS. 1 through 4 is for illustrative purposes only and forms no part of the claimed design.

1 Claim, 1 Drawing Sheet



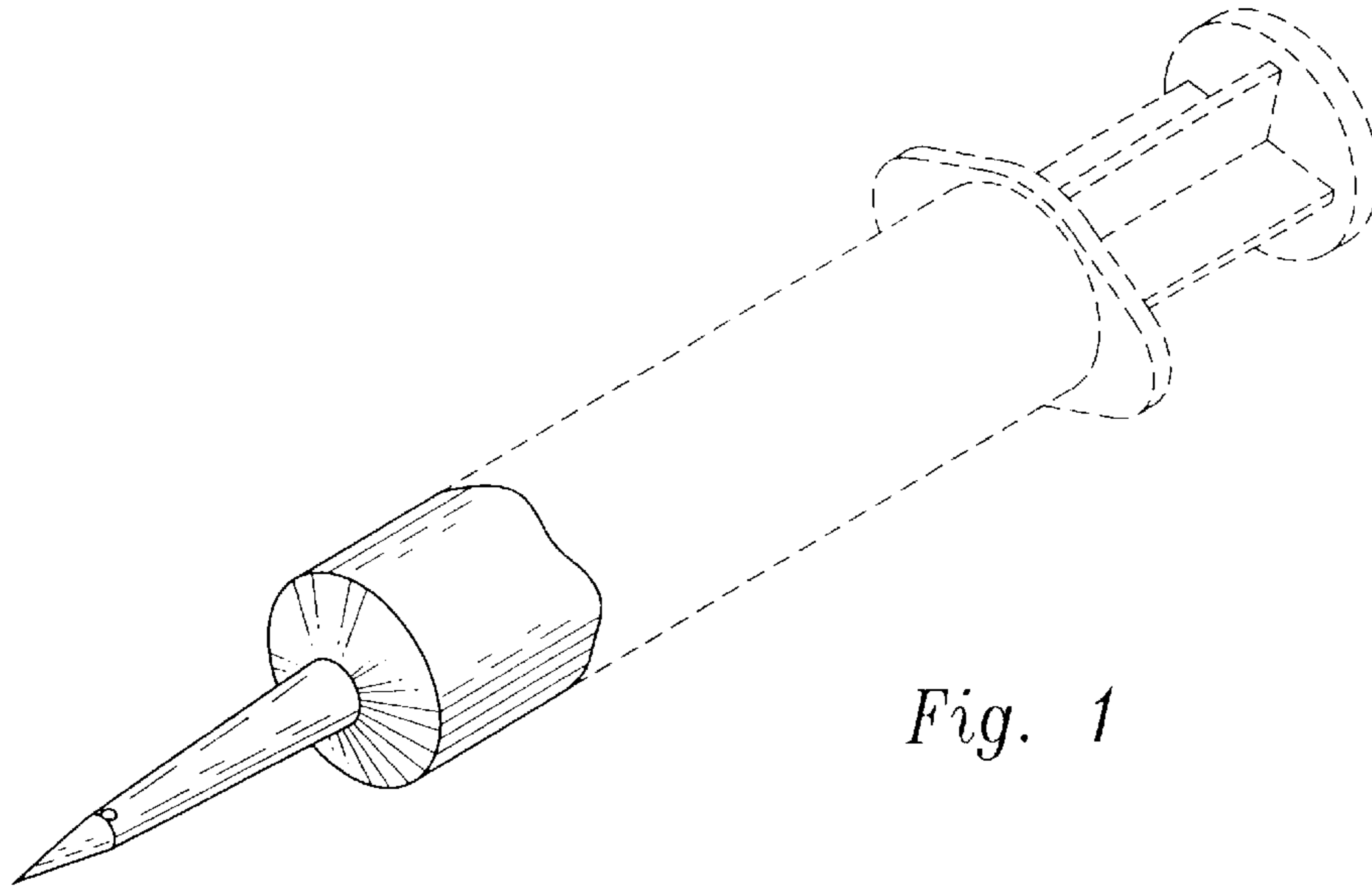


Fig. 1



Fig. 2

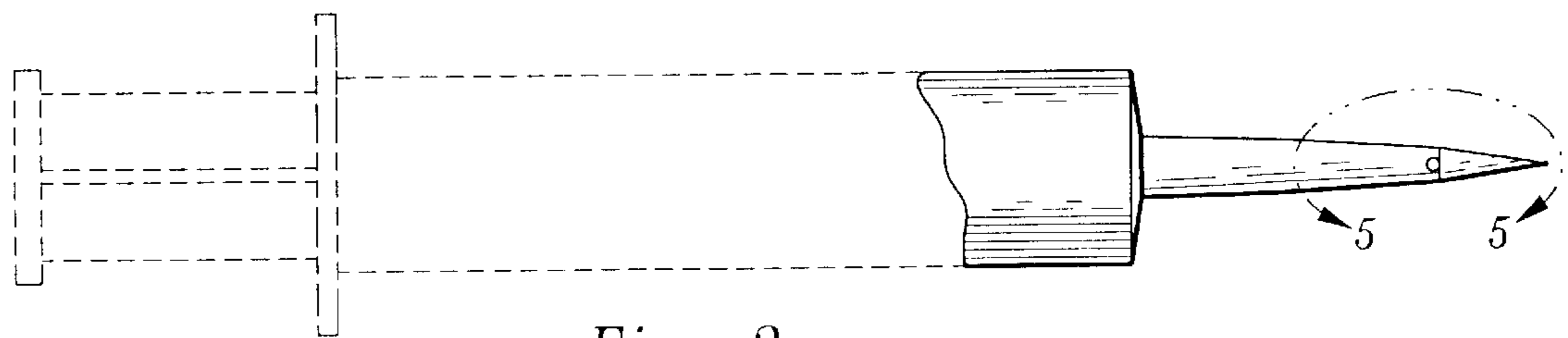


Fig. 3

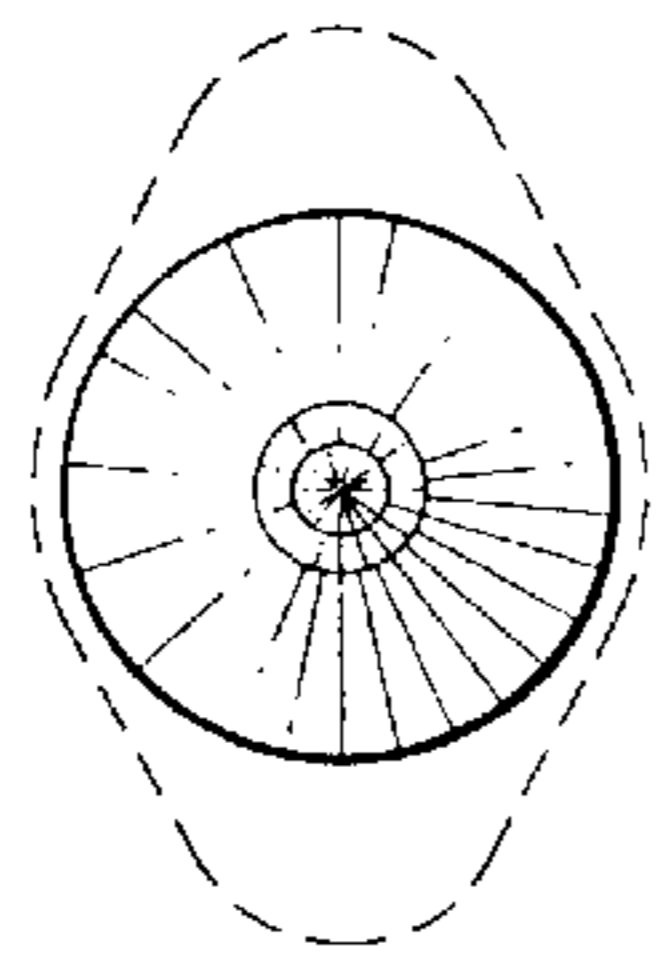


Fig. 4

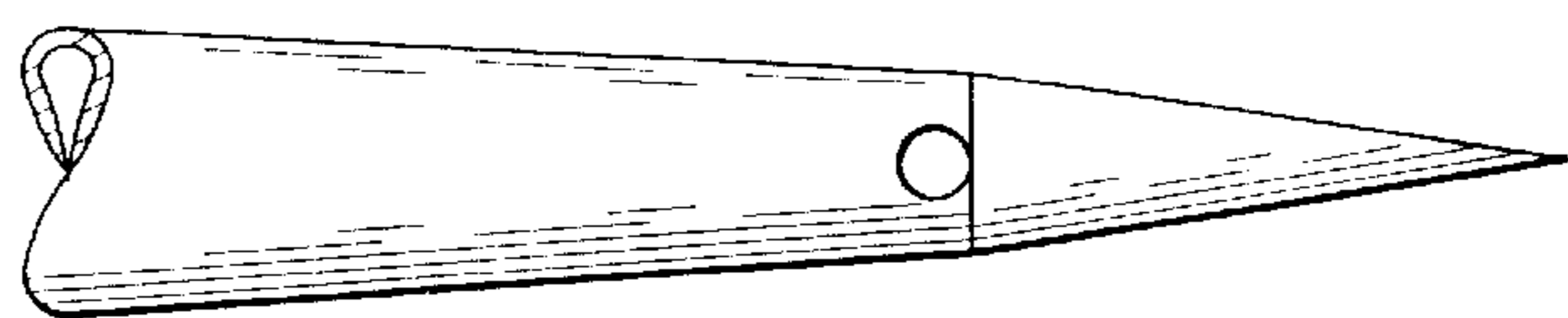


Fig. 5