



US00D472316S

(12) **United States Design Patent**
Douglas et al.

(10) **Patent No.:** **US D472,316 S**

(45) **Date of Patent:** **** Mar. 25, 2003**

(54) **PEN NEEDLE CATHETER CONNECTOR**

(75) Inventors: **Joel S. Douglas**, Groton, CT (US);
Robert L. Hugo, Gilroy, CA (US);
Richard W. LeVaughn, Talking Rock,
GA (US); **Christopher John Ruf**,
Atlanta, GA (US)

(73) Assignee: **Sterling Medivations, Inc.**, Norcross,
GA (US)

(**) Term: **14 Years**

(21) Appl. No.: **29/159,821**

(22) Filed: **Apr. 30, 2002**

(51) **LOC (7) Cl.** **24-02**

(52) **U.S. Cl.** **D24/129; D24/108; D24/130**

(58) **Field of Search** **D24/112, 129,**
D24/130, 108; 604/905, 539, 533, 538,
192, 244, 256

(56) **References Cited**

U.S. PATENT DOCUMENTS

D267,199 S 12/1982 Koenig
4,505,709 A 3/1985 Froning et al.

D303,013 S 8/1989 Konopka
5,099,992 A * 3/1992 Heimreid 604/192
5,334,188 A * 8/1994 Inoue et al. 604/905
5,344,417 A 9/1994 Wadsworth, Jr.
5,405,340 A 4/1995 Fageol et al.
D427,308 S 6/2000 Zinger
D445,501 S 7/2001 Niedospial, Jr.

* cited by examiner

Primary Examiner—Ian Simmons

(74) *Attorney, Agent, or Firm*—Burns, Doane, Swecker &
Mathis LLP

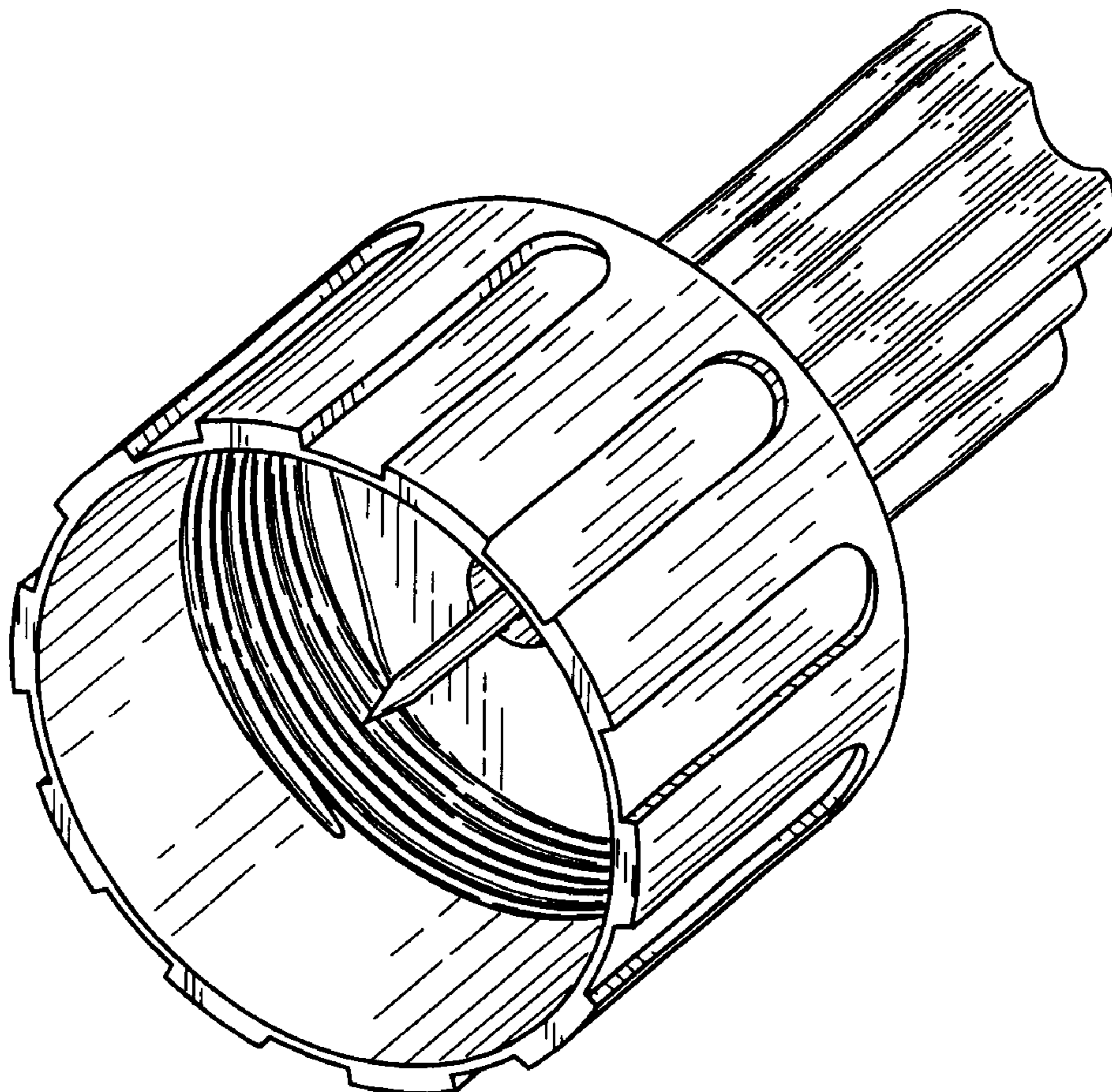
(57) **CLAIM**

The ornamental design for a pen needle catheter connector,
as shown and described.

DESCRIPTION

FIG. 1 is a front perspective view;
FIG. 2 is a rear perspective view;
FIG. 3 is a rotated side elevation view;
FIG. 4 is a top plan view;
FIG. 5 is a rear elevation view; and,
FIG. 6 is a front elevation view.

1 Claim, 3 Drawing Sheets



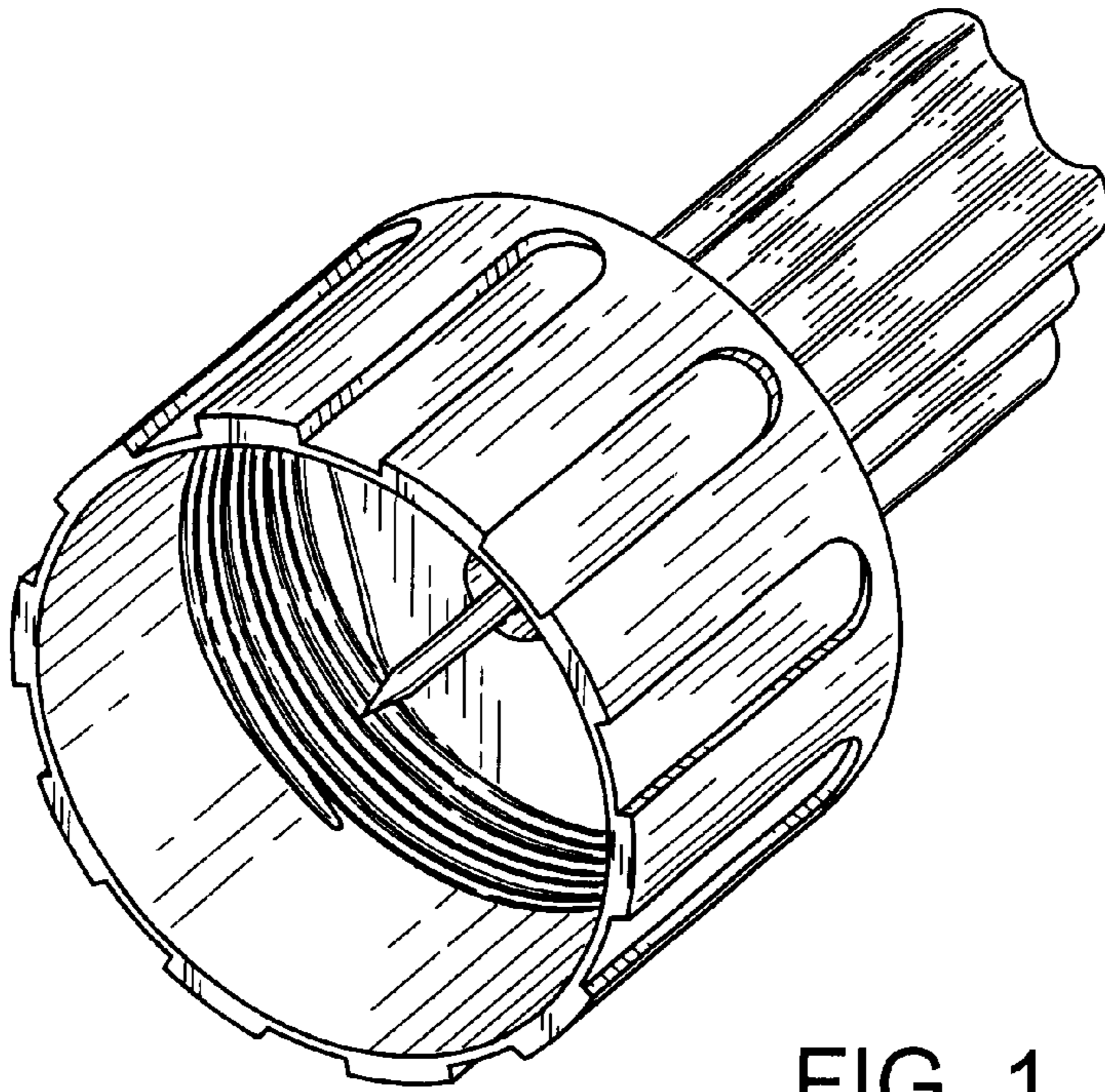


FIG. 1

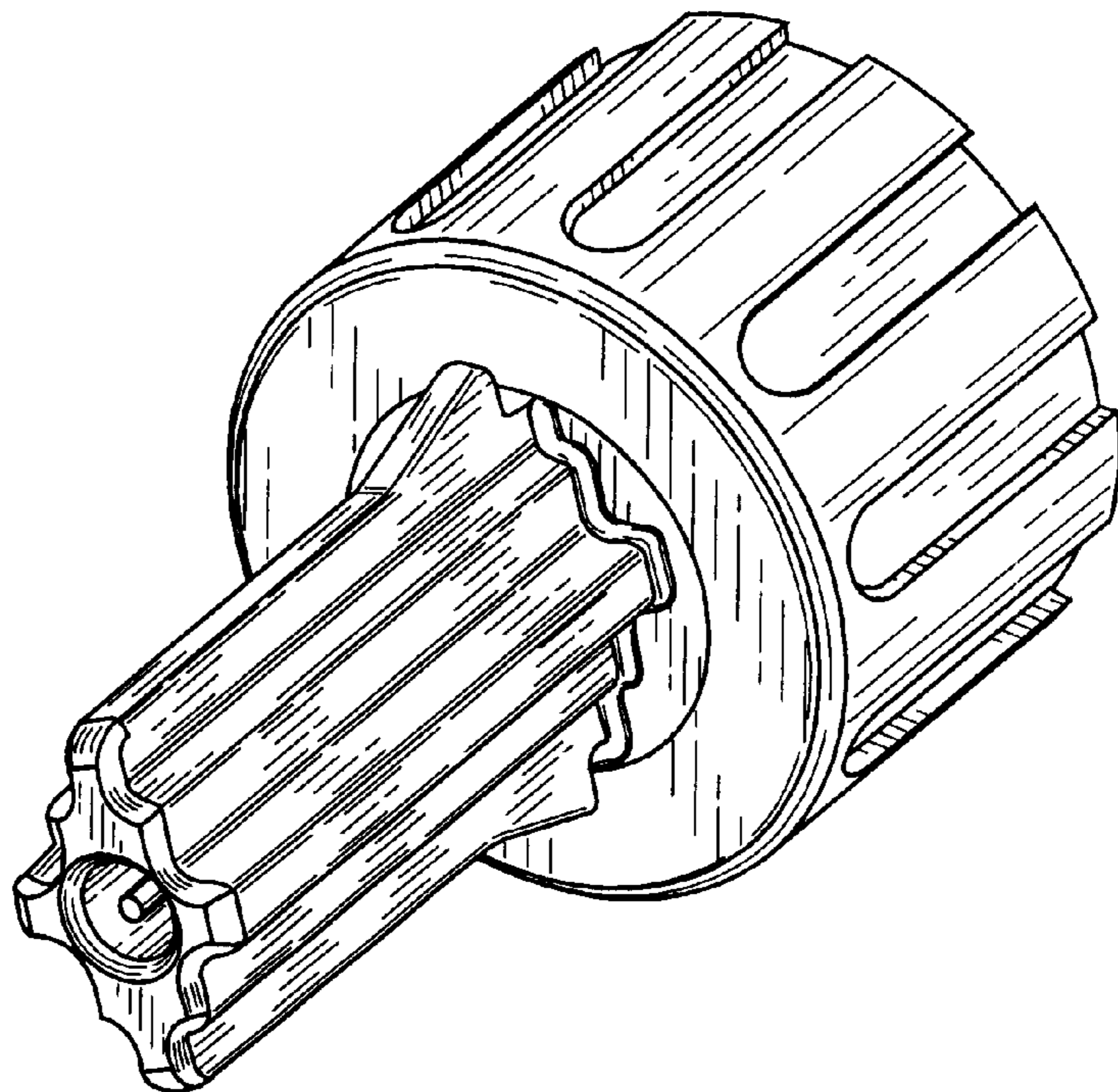


FIG. 2

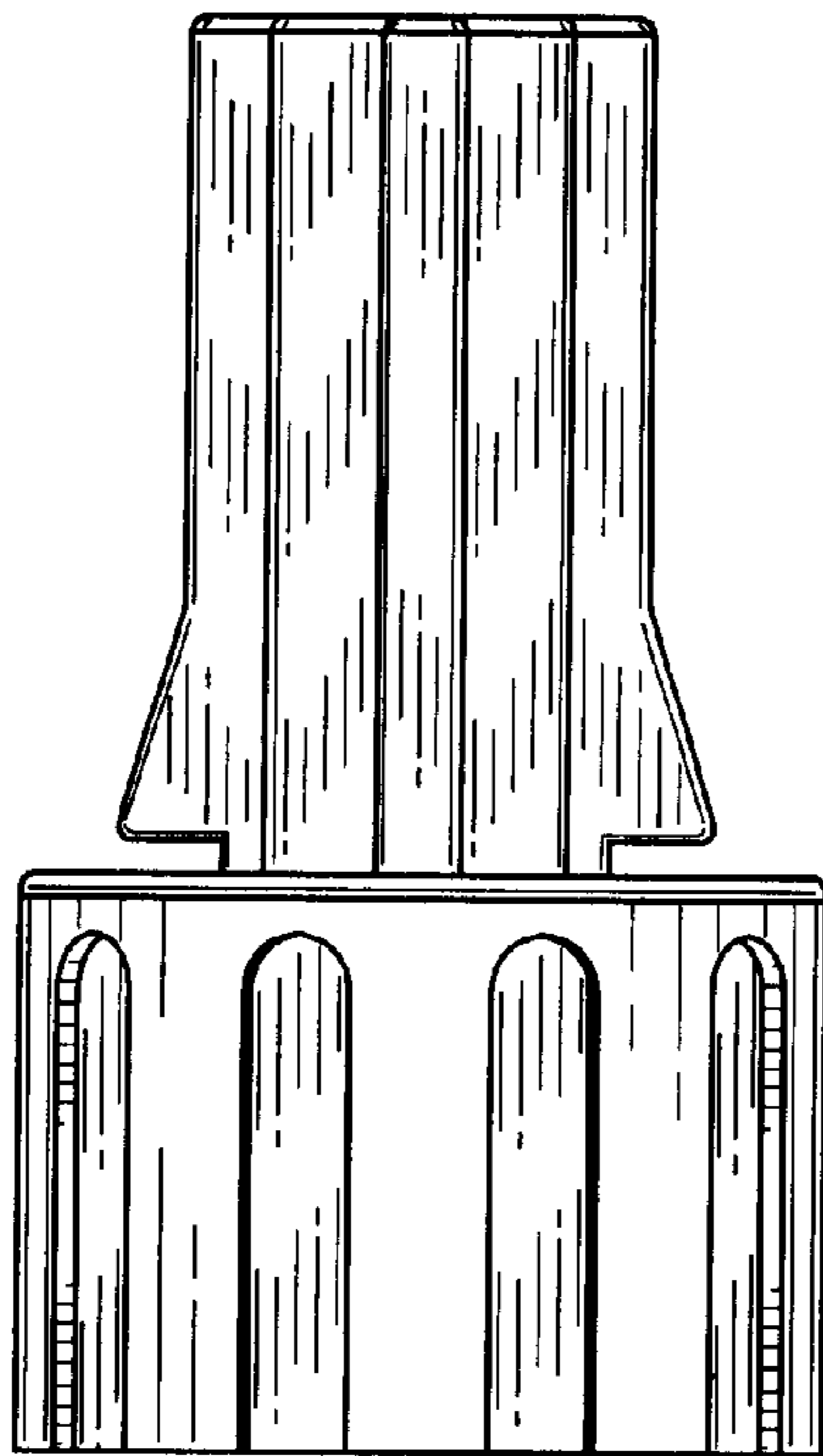


FIG. 3

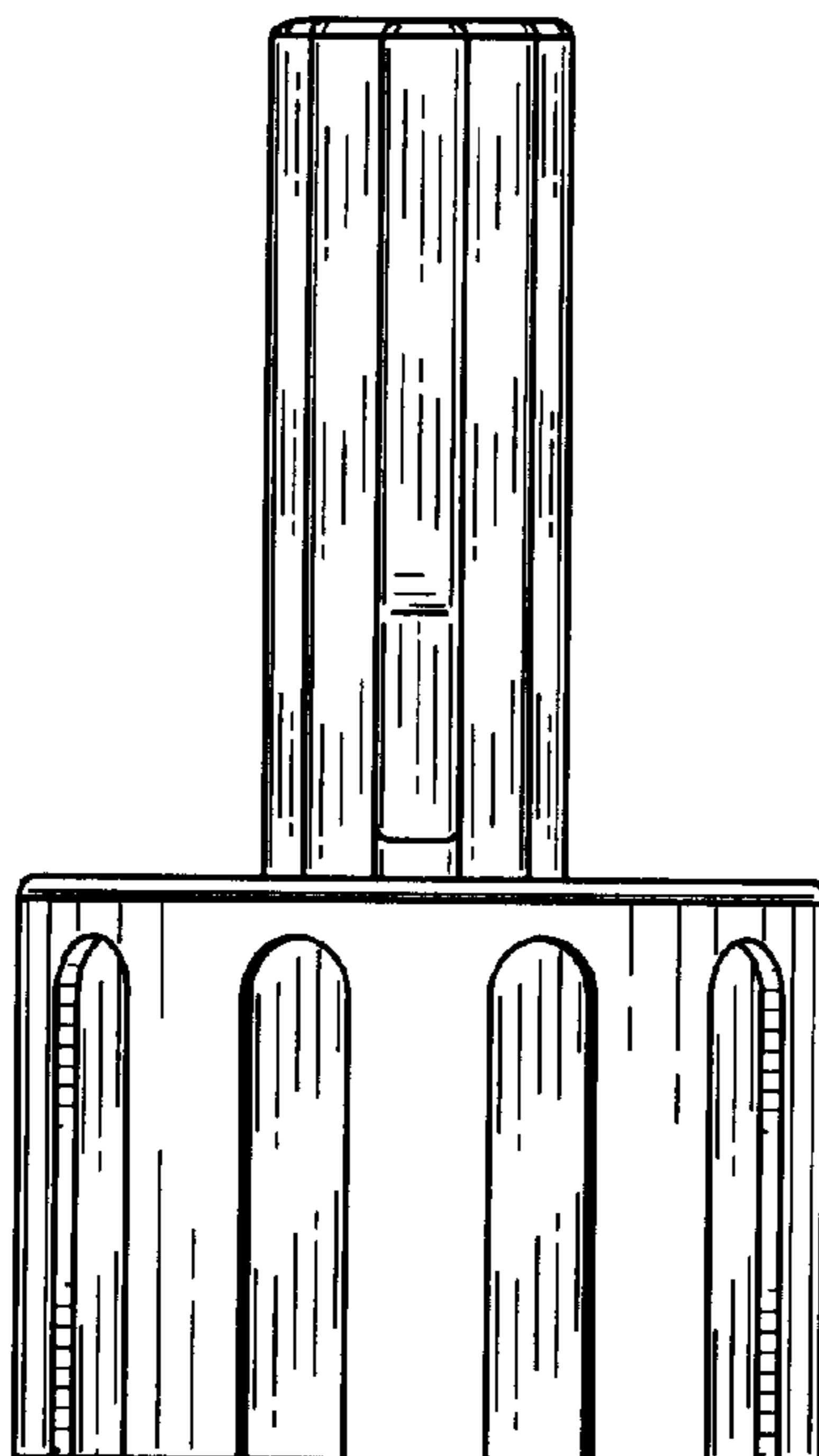


FIG. 4

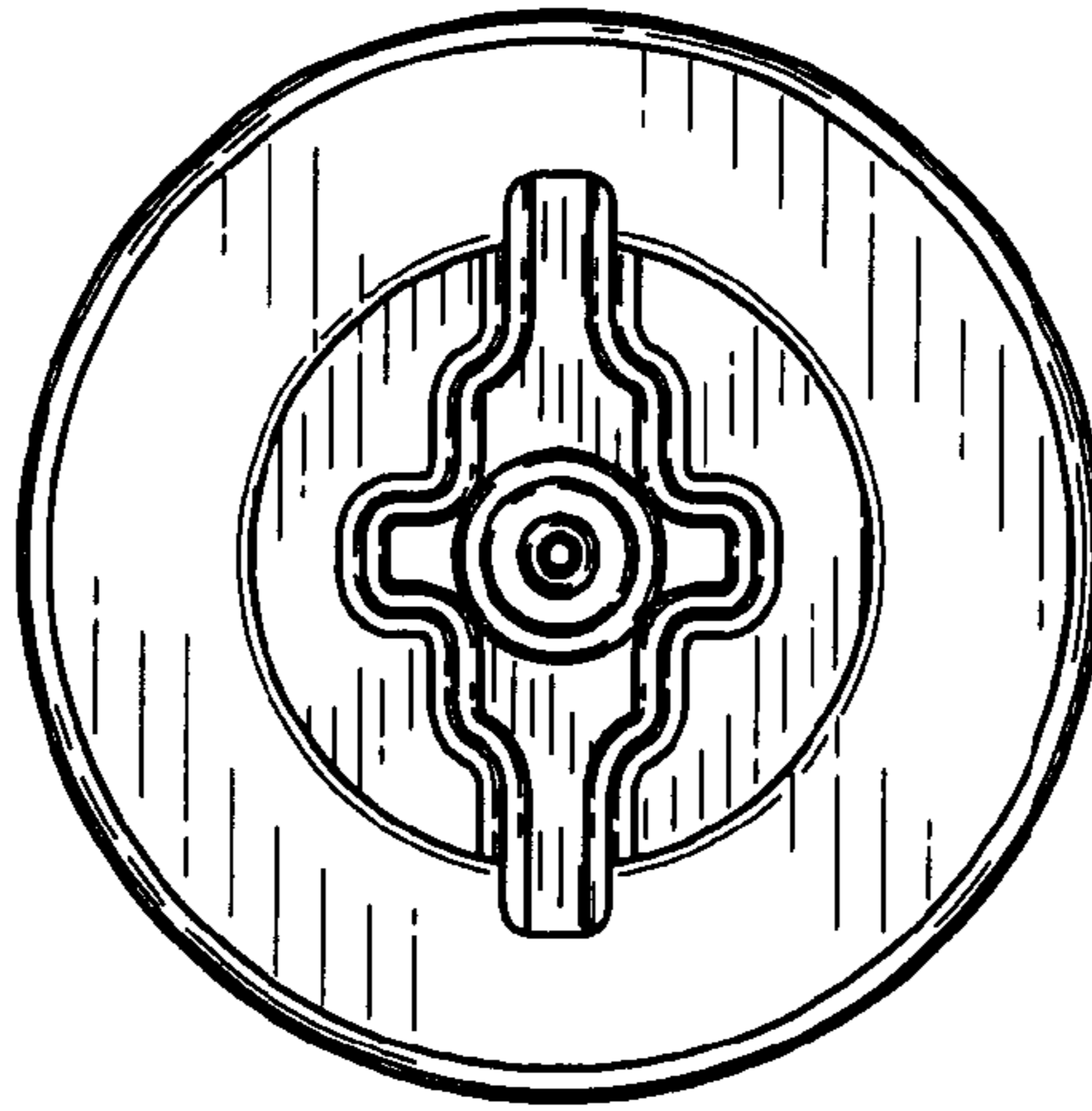


FIG. 5

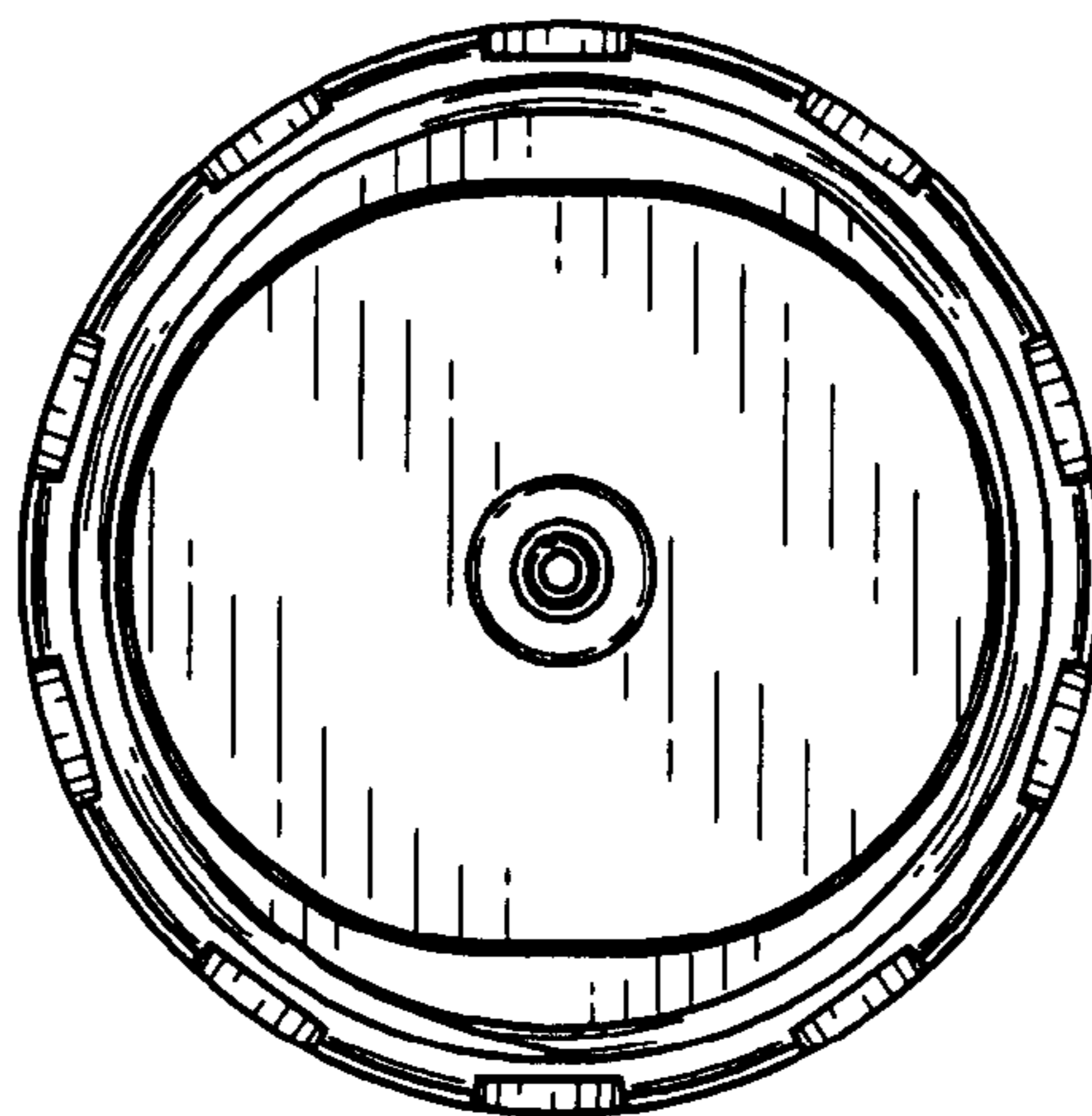


FIG. 6