



US00D472309S

(12) **United States Design Patent**  
**Kawamura et al.**

(10) **Patent No.:** **US D472,309 S**

(45) **Date of Patent:** **\*\* Mar. 25, 2003**

(54) **BIDET**

(75) Inventors: **Sejiro Kawamura**, Kitakyushu (JP);  
**Minoru Tani**, Kitakyushu (JP)

(73) Assignee: **Toto Ltd.**, Fukuoka (JP)

(\*\*) Term: **14 Years**

(21) Appl. No.: **29/160,018**

(22) Filed: **May 1, 2002**

(30) **Foreign Application Priority Data**

Jan. 11, 2002 (JP) ..... 2002-00623

(51) **LOC (7) Cl.** ..... **23-02**

(52) **U.S. Cl.** ..... **D23/295**

(58) **Field of Search** ..... D23/270-271,  
D23/273-274, 295-301, 303, 309; 4/663-664,  
300, 329, 667, 216, DIG. 17, 420, 420.3,  
443-446, 449, 459-460, 902

(56) **References Cited**

**U.S. PATENT DOCUMENTS**

D326,904 S \* 6/1992 Waldren ..... D23/301  
D390,930 S \* 2/1998 Slothower ..... D23/295

D415,563 S \* 10/1999 McKeone ..... D23/301  
D441,437 S \* 5/2001 McKeone ..... D23/301  
D444,864 S \* 7/2001 McKeone ..... D23/301  
D451,175 S \* 11/2001 Smith ..... D23/301  
D456,883 S \* 5/2002 Chen ..... D23/301

\* cited by examiner

*Primary Examiner*—Louis S. Zarfes

*Assistant Examiner*—Robert A. Delehanty

(74) *Attorney, Agent, or Firm*—Jordan and Hamburg LLP

(57) **CLAIM**

The ornamental design for a bidet, as shown.

**DESCRIPTION**

FIG. 1 is a front perspective view of the bidet embodying the design;

FIG. 2 is a front view of the bidet;

FIG. 3 is a back view of the bidet;

FIG. 4 is a top view of the bidet;

FIG. 5 is a bottom view of the bidet;

FIG. 6 is a left side elevation of the bidet;

FIG. 7 is a right side elevation of the bidet; and,

FIG. 8 is a cross-sectional view taken on line 8—8 of FIG. 4.

**1 Claim, 6 Drawing Sheets**

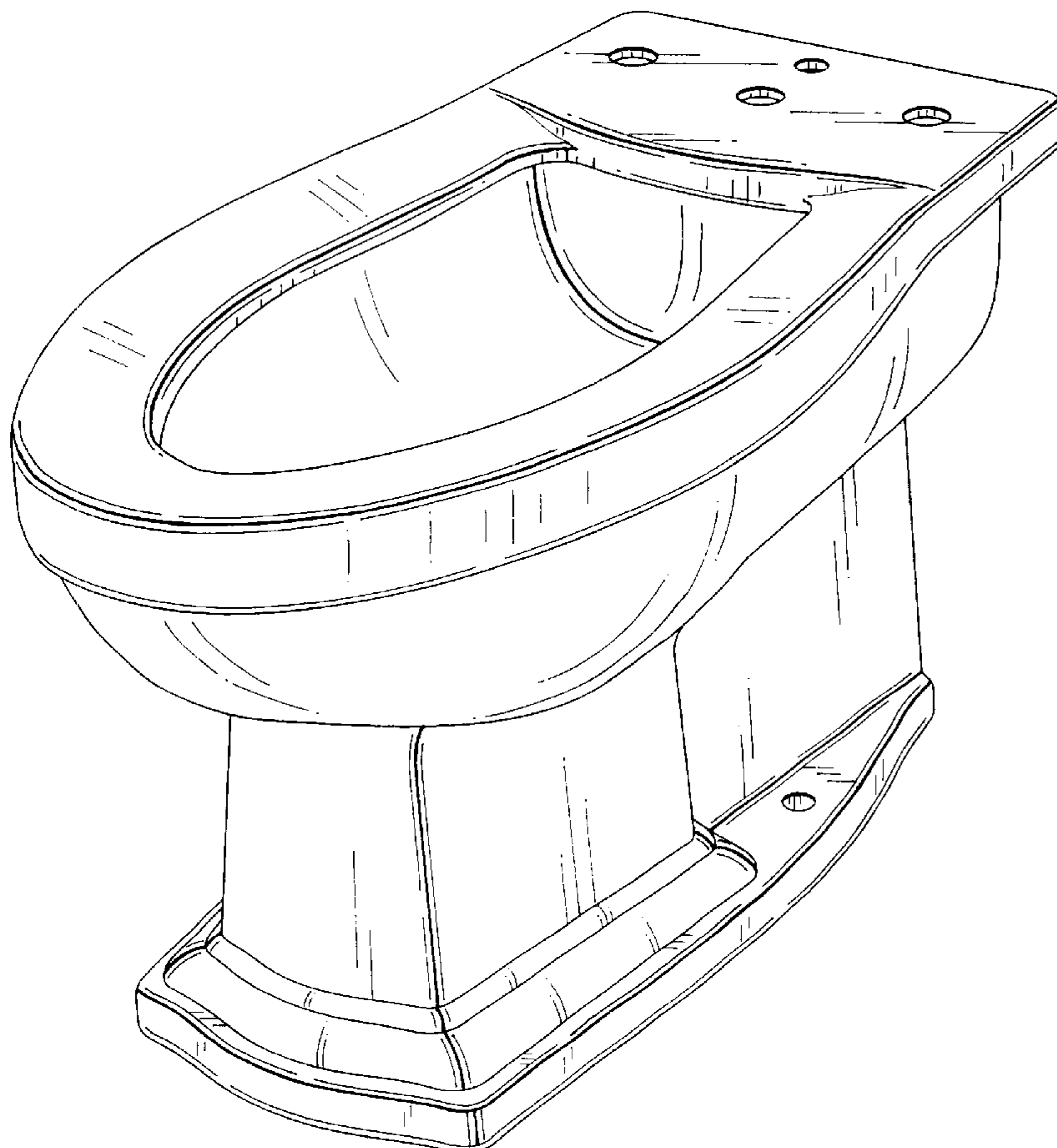


FIG. 1

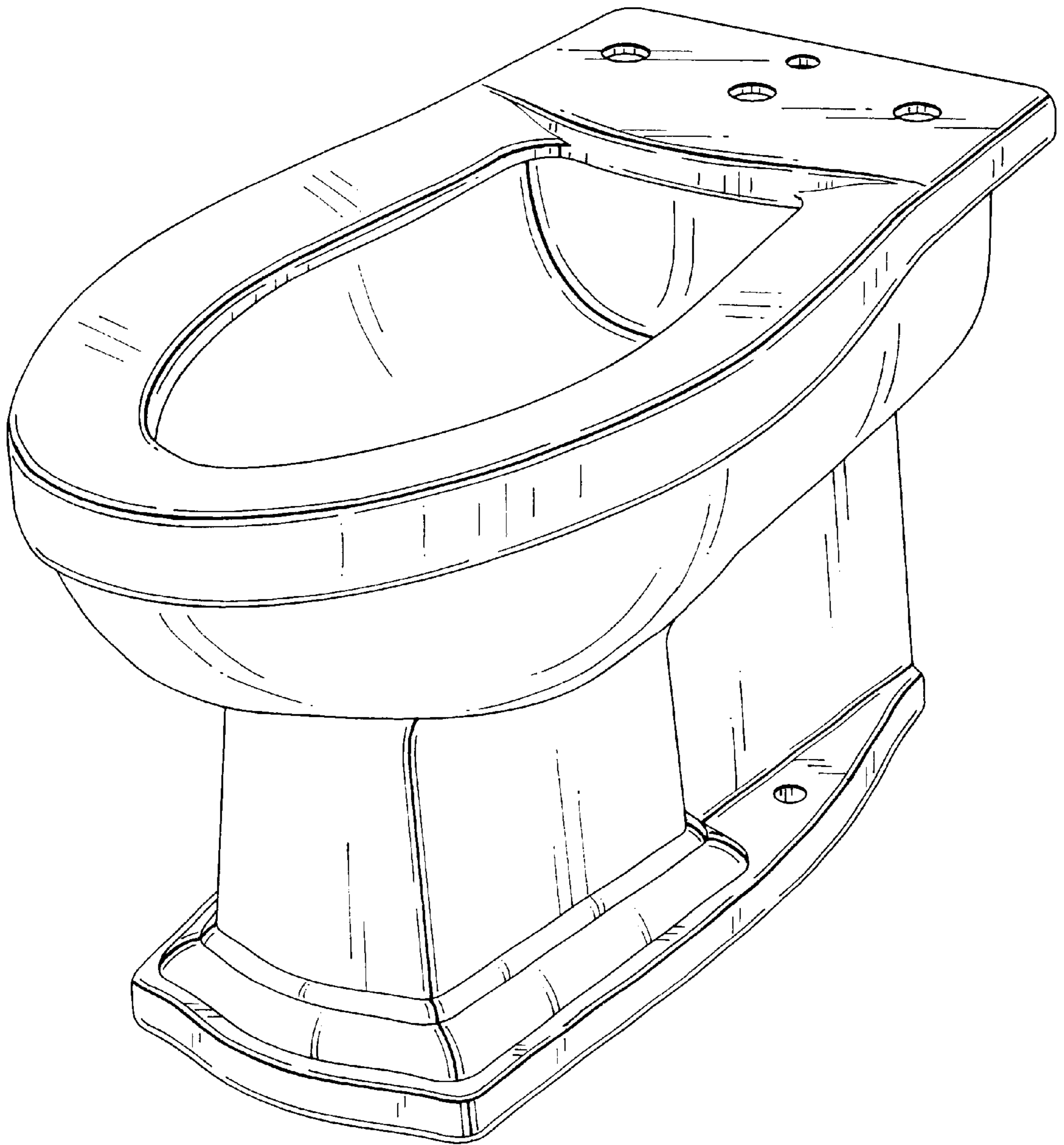


FIG. 2

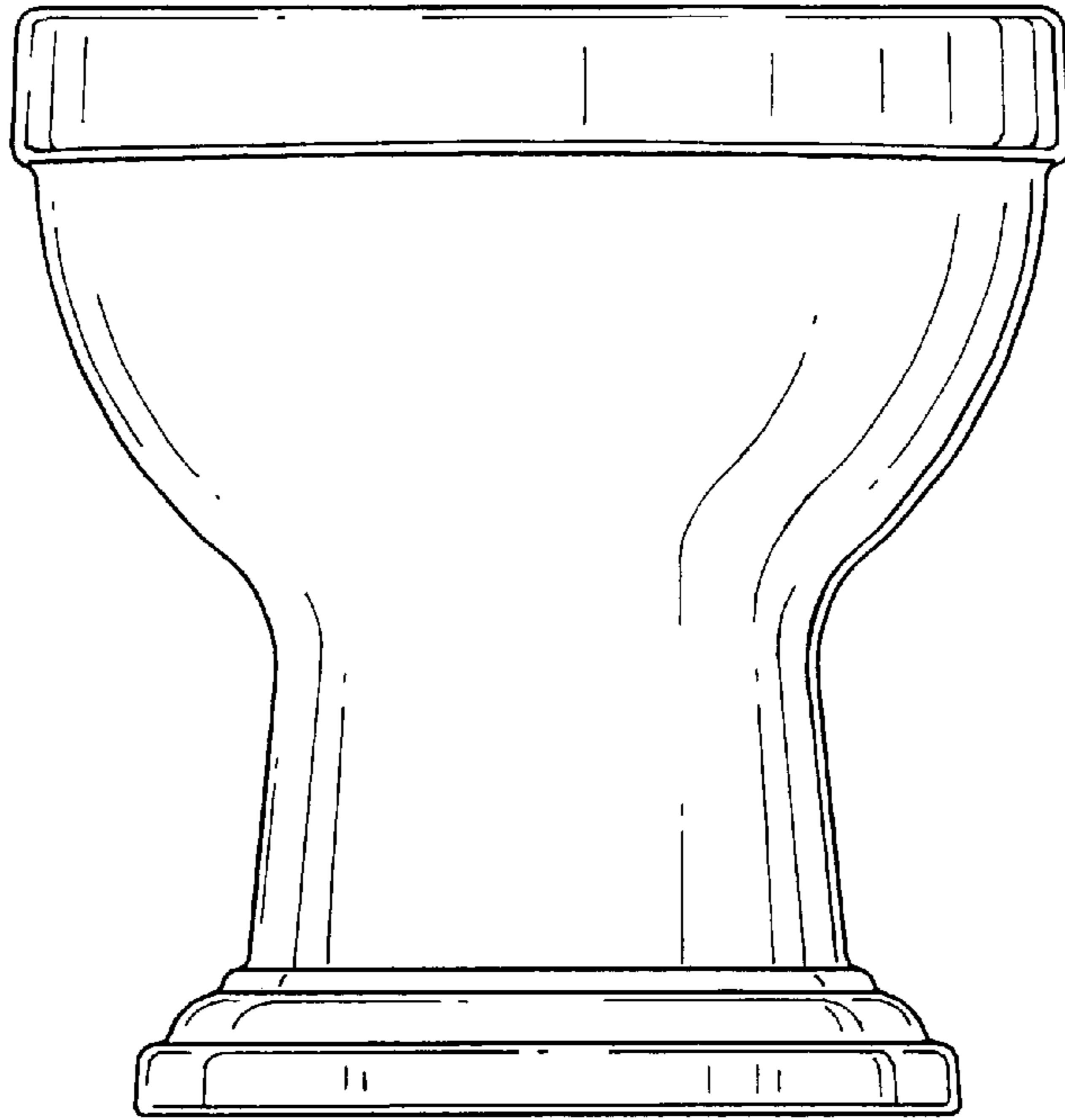


FIG. 3

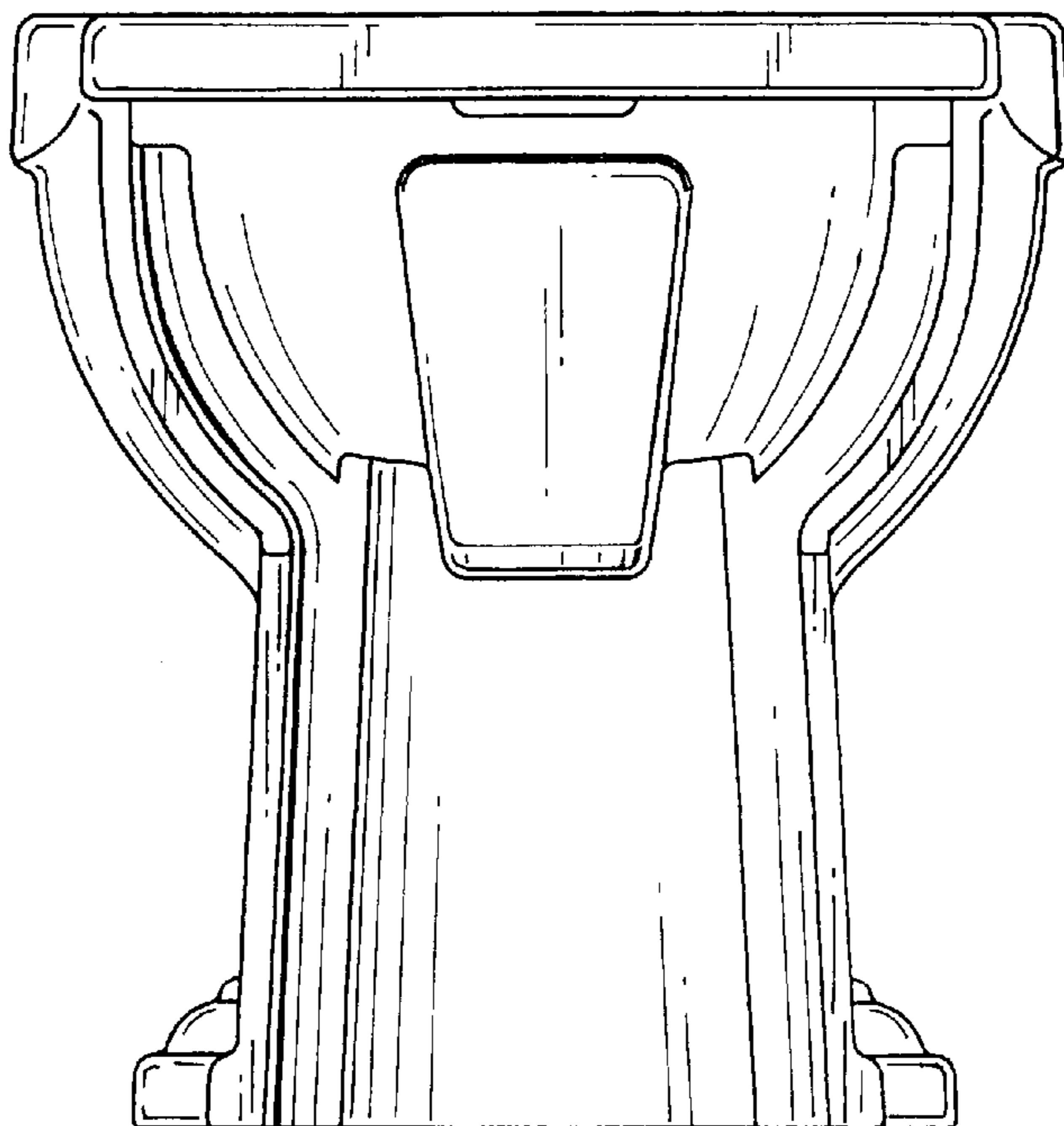


FIG. 4

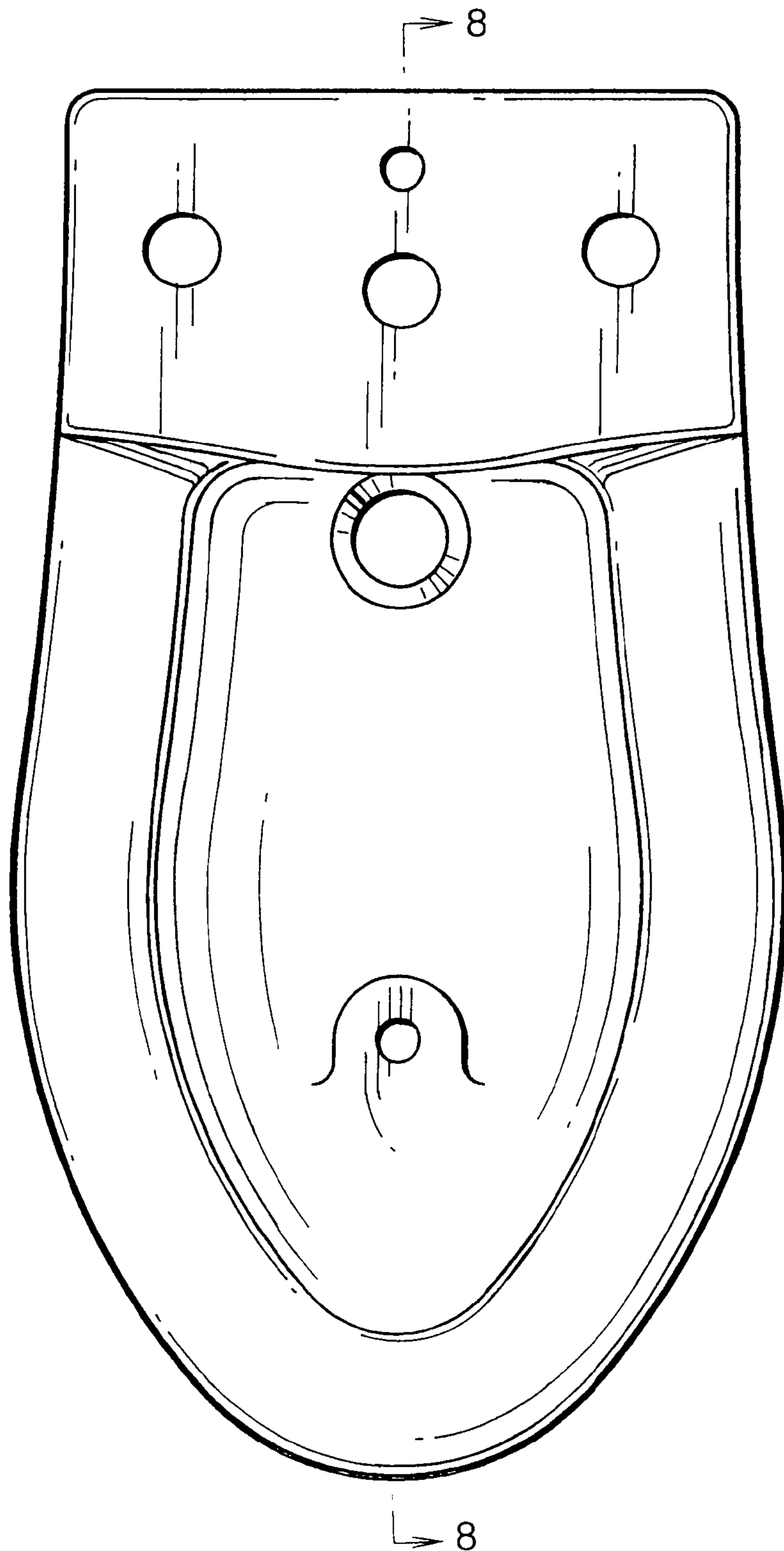


FIG. 5

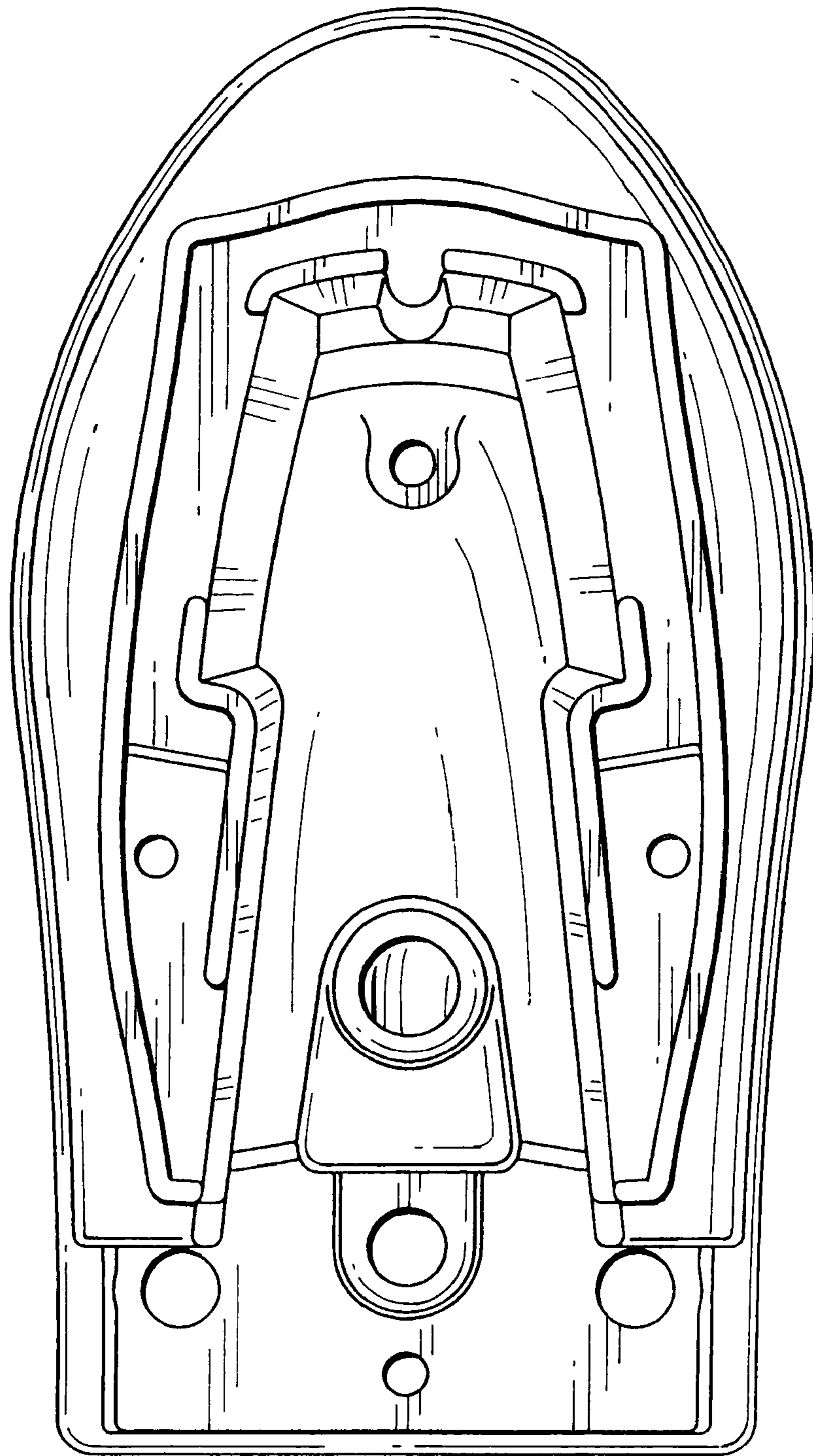




FIG. 6

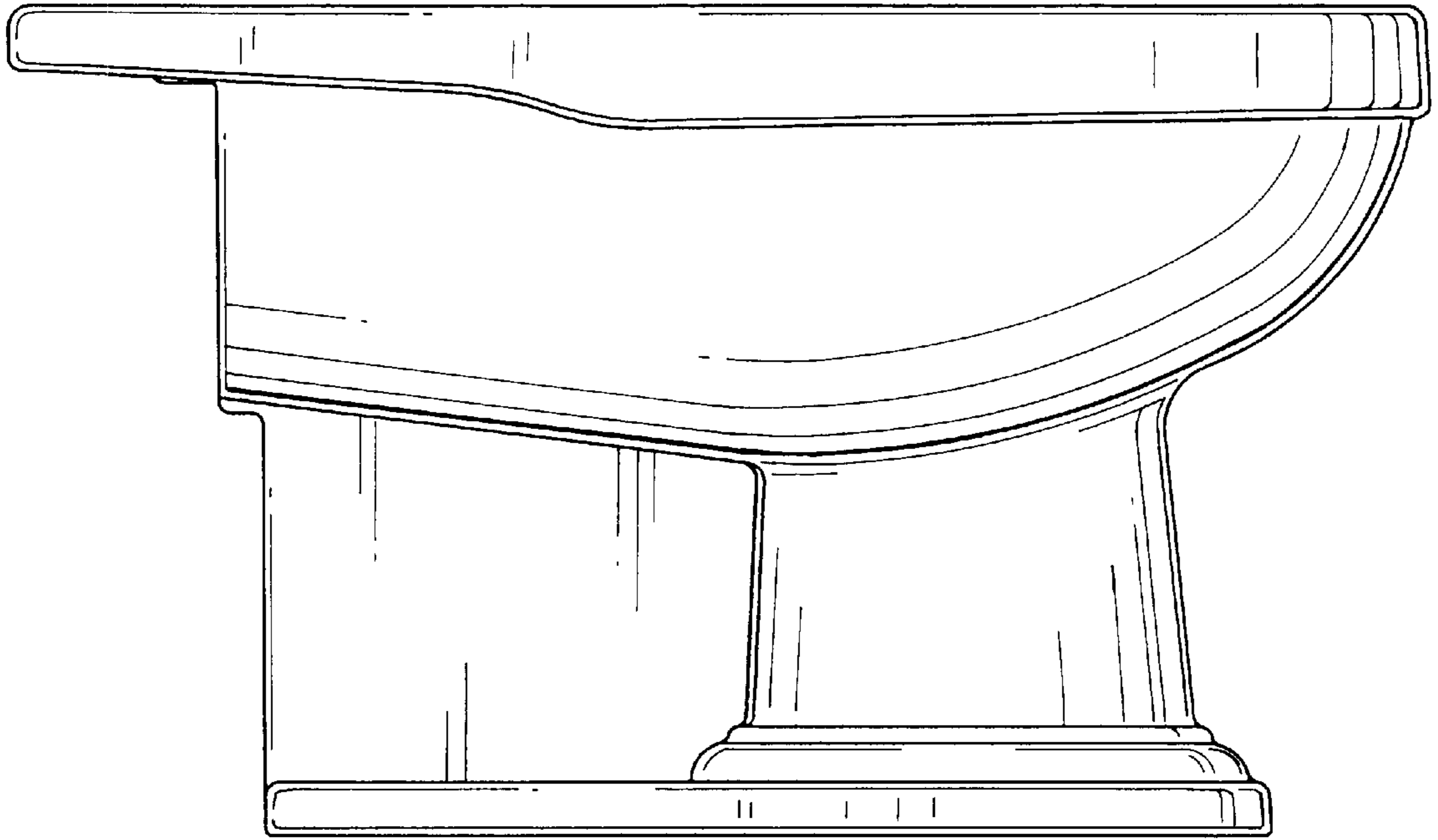


FIG. 7

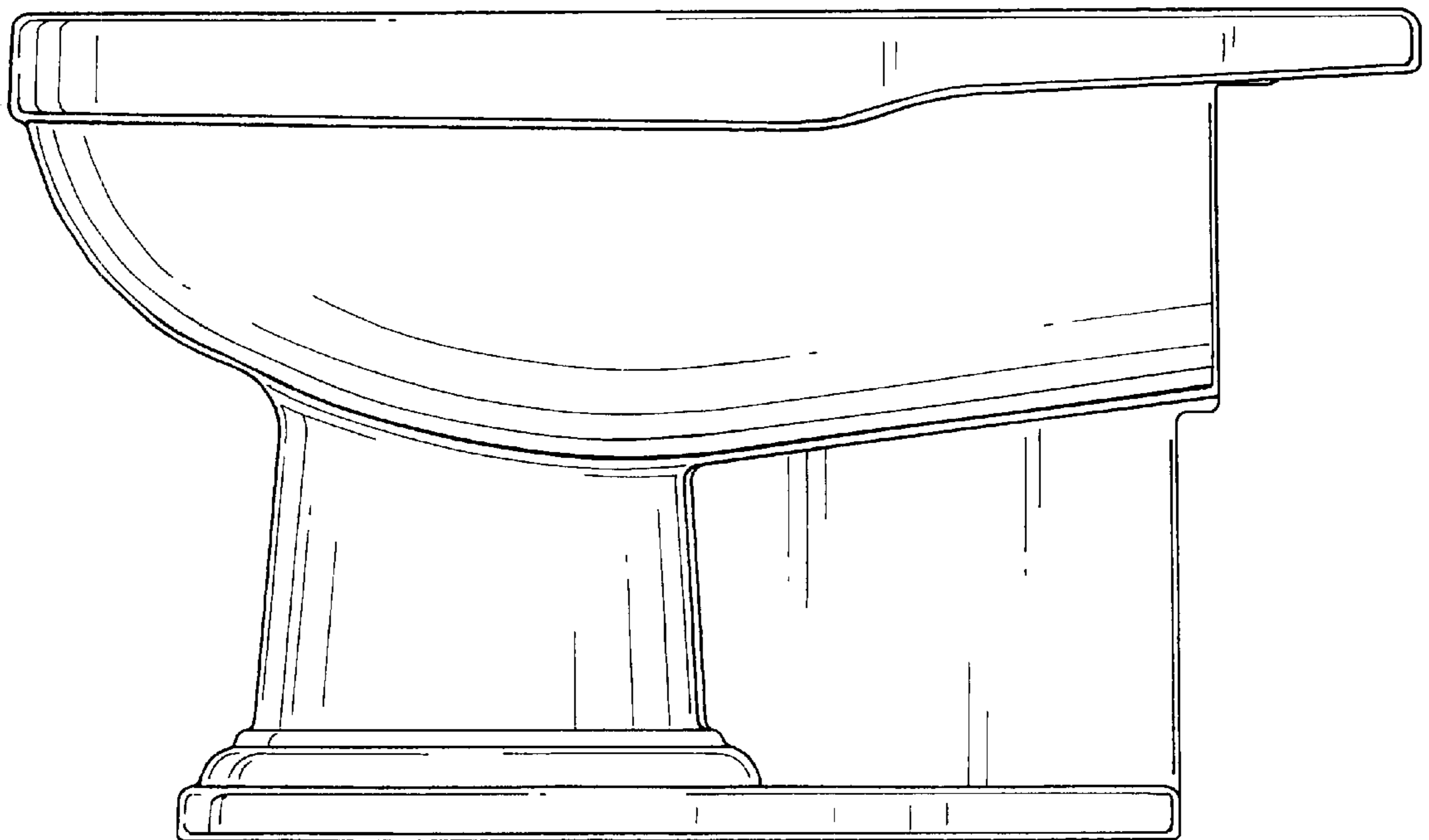


FIG. 8

