



US00D472307S

(12) **United States Design Patent**
Blomstrom

(10) **Patent No.:** **US D472,307 S**

(45) **Date of Patent:** **** Mar. 25, 2003**

(54) **HANDLE**

Undated Harden catalog ad showing an escutcheon, item #J.

(75) Inventor: **John K. Blomstrom**, Sheboygan, WI (US)

Primary Examiner—Louis S. Zarfes

Assistant Examiner—Gregory Andoll

(73) Assignee: **Kohler Co.**, Kohler, WI (US)

(74) *Attorney, Agent, or Firm*—Quarles & Brady LLP

(**) Term: **14 Years**

(57) **CLAIM**

(21) Appl. No.: **29/162,277**

The ornamental design for a handle, as shown and described.

(22) Filed: **Jun. 13, 2002**

DESCRIPTION

Related U.S. Application Data

(62) Division of application No. 29/140,946, filed on Apr. 26, 2001, now Pat. No. Des. 464,119.

In a preferred embodiment, the nature of this product is as a plumbing handle and escutcheon which is primarily useful for controlling a rotatable valve stem.

(51) **LOC (7) Cl.** **23-01**

FIG. 1 is a left, top, front perspective view of a handle embodying my new design;

(52) **U.S. Cl.** **D23/252**

(58) **Field of Search** D23/238–243, D23/245, 250–257; D8/300–322, 350–353, DIG. 3; 16/110.1; 4/675–678; 137/801

FIG. 2 is a front elevational view thereof, the rear elevational view being a mirror image of the front elevational view shown;

(56) **References Cited**

U.S. PATENT DOCUMENTS

D364,216 S	11/1995	Hill et al.	D23/252
D407,144 S	3/1999	Formgren	D23/252
D426,871 S	6/2000	Fleischmann	D23/252
D430,651 S	9/2000	Fiegl et al.	D23/252

FIG. 3 is a left side elevational view thereof;

FIG. 4 is a right side elevational view thereof;

FIG. 5 is a top plan view thereof; and,

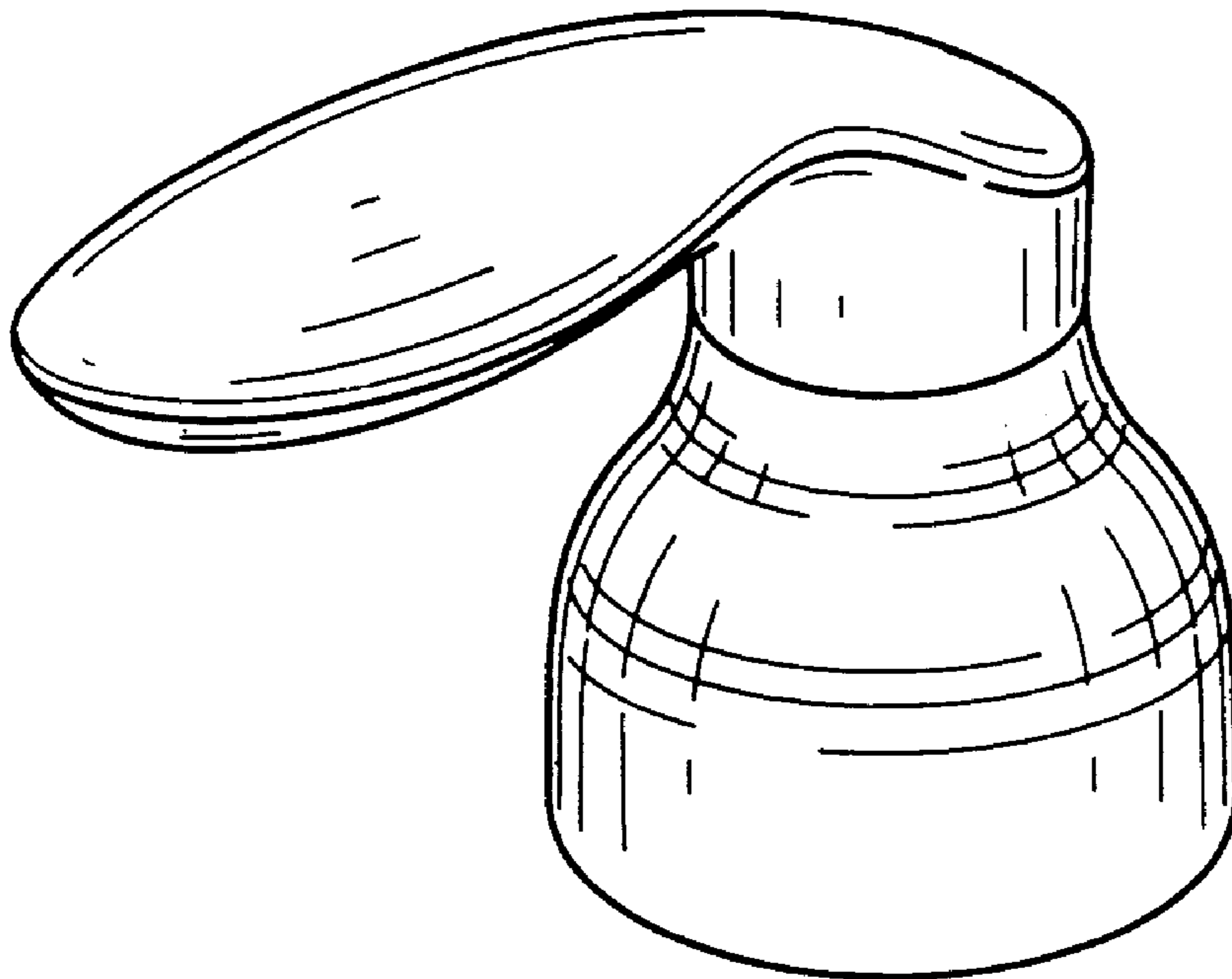
FIG. 6 is a bottom plan view thereof.

OTHER PUBLICATIONS

2000 Kohler catalog ad, p. 2.53, showing “Fairfax” handles.
Undated Harden catalog ad, p. 1, showing a single lever handle.

The broken line representation of mounting structure in FIG. 6 is for the purpose of illustration only, and forms no part of the claimed design.

1 Claim, 1 Drawing Sheet



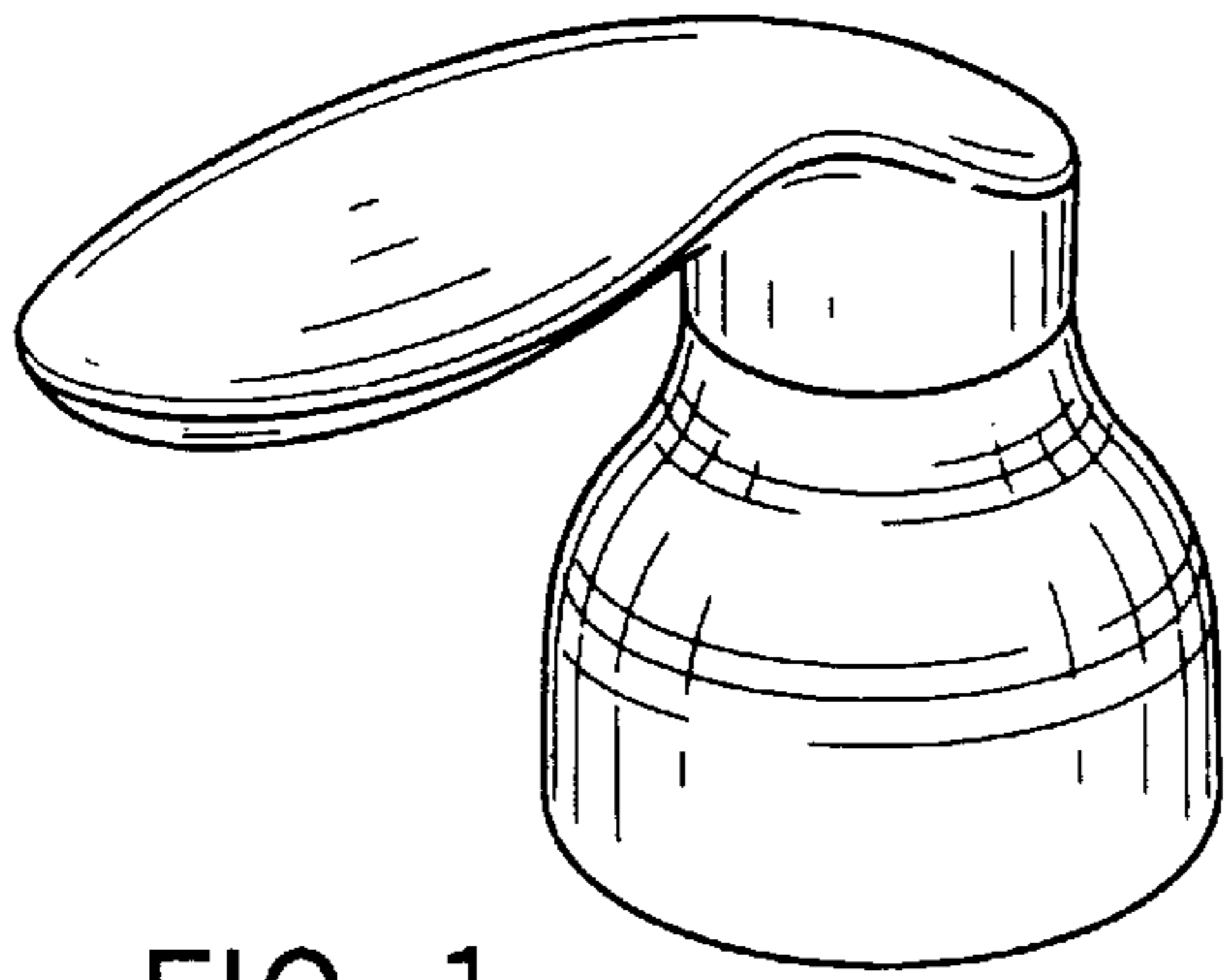


FIG. 1

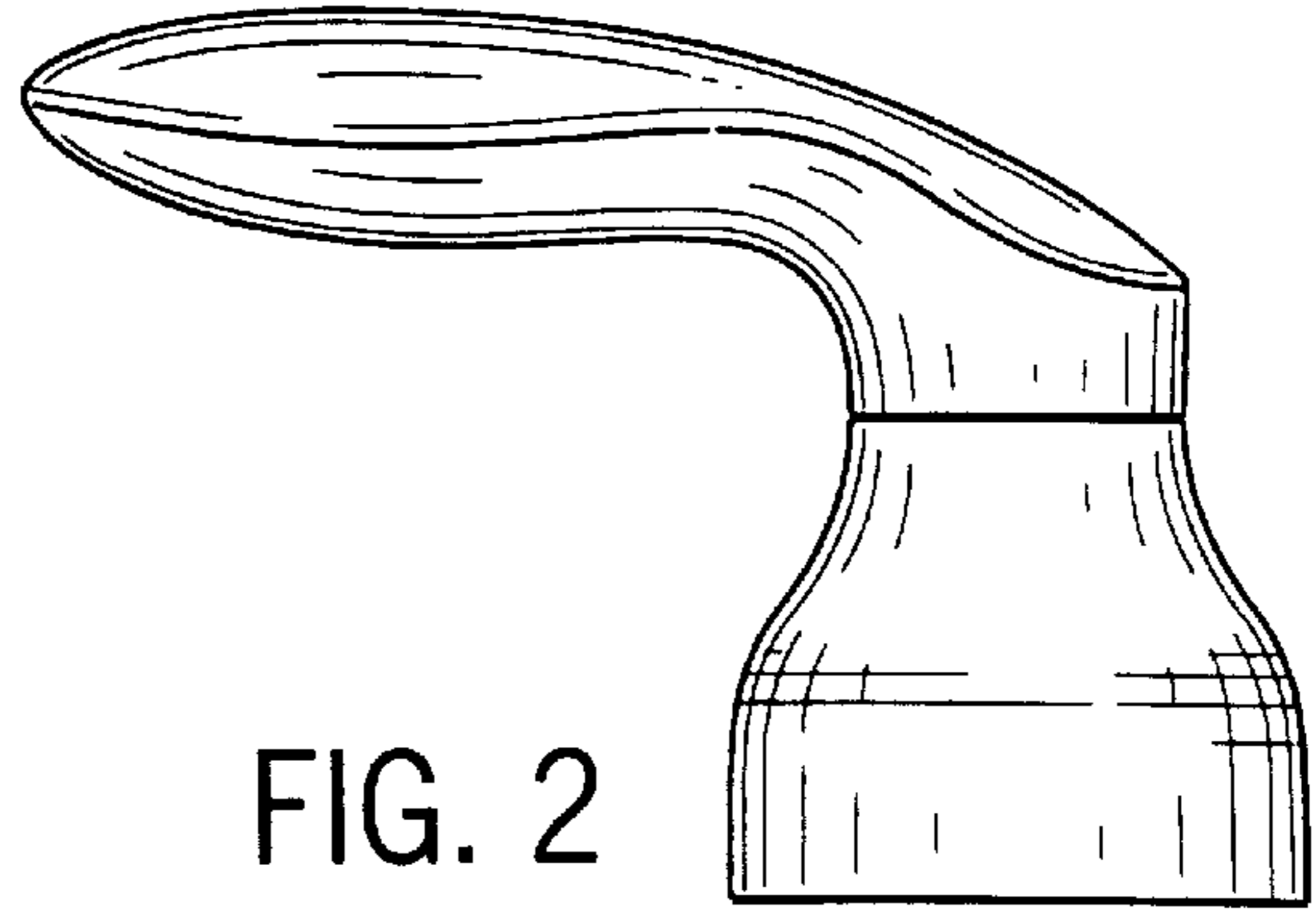


FIG. 2

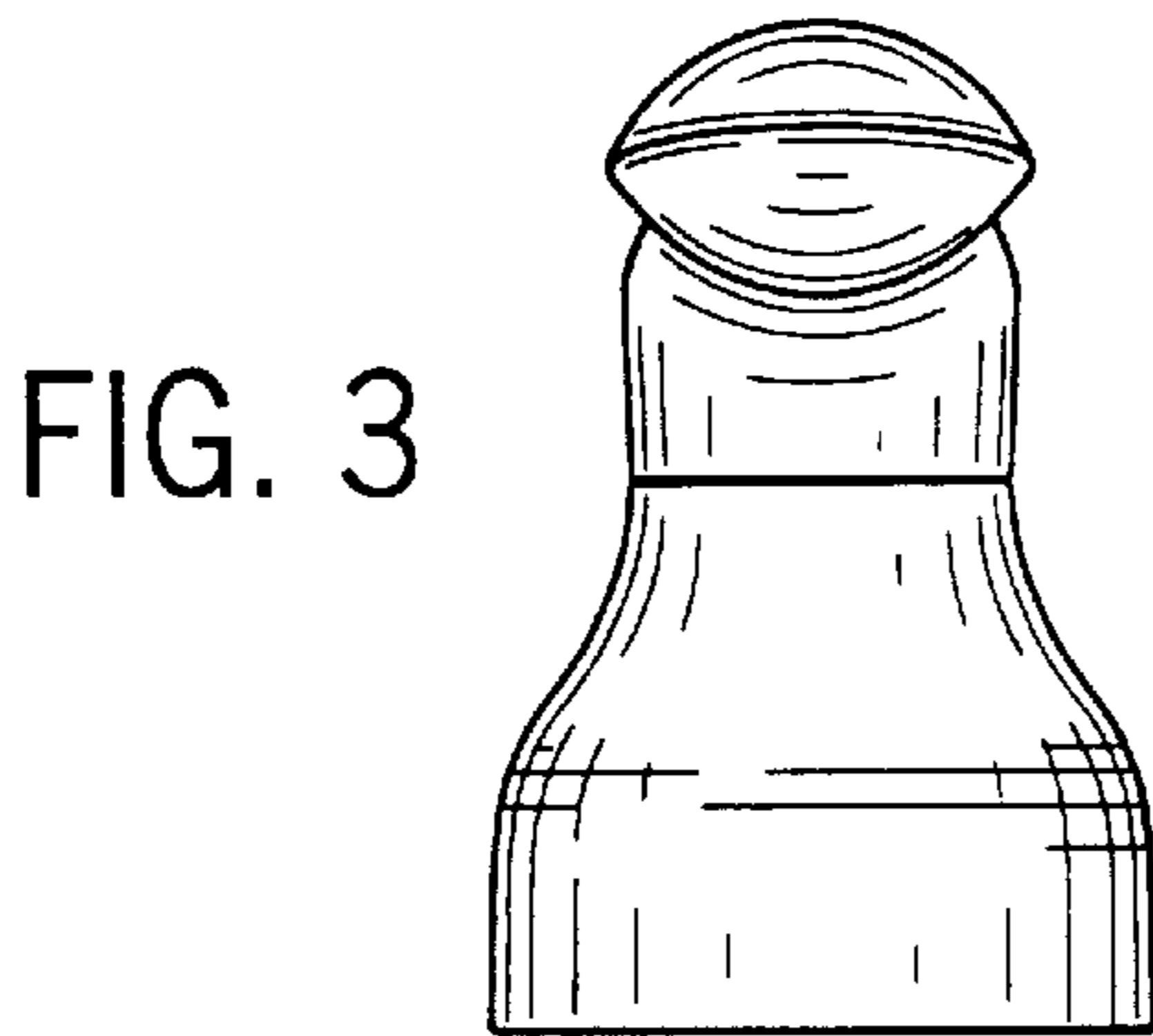


FIG. 3

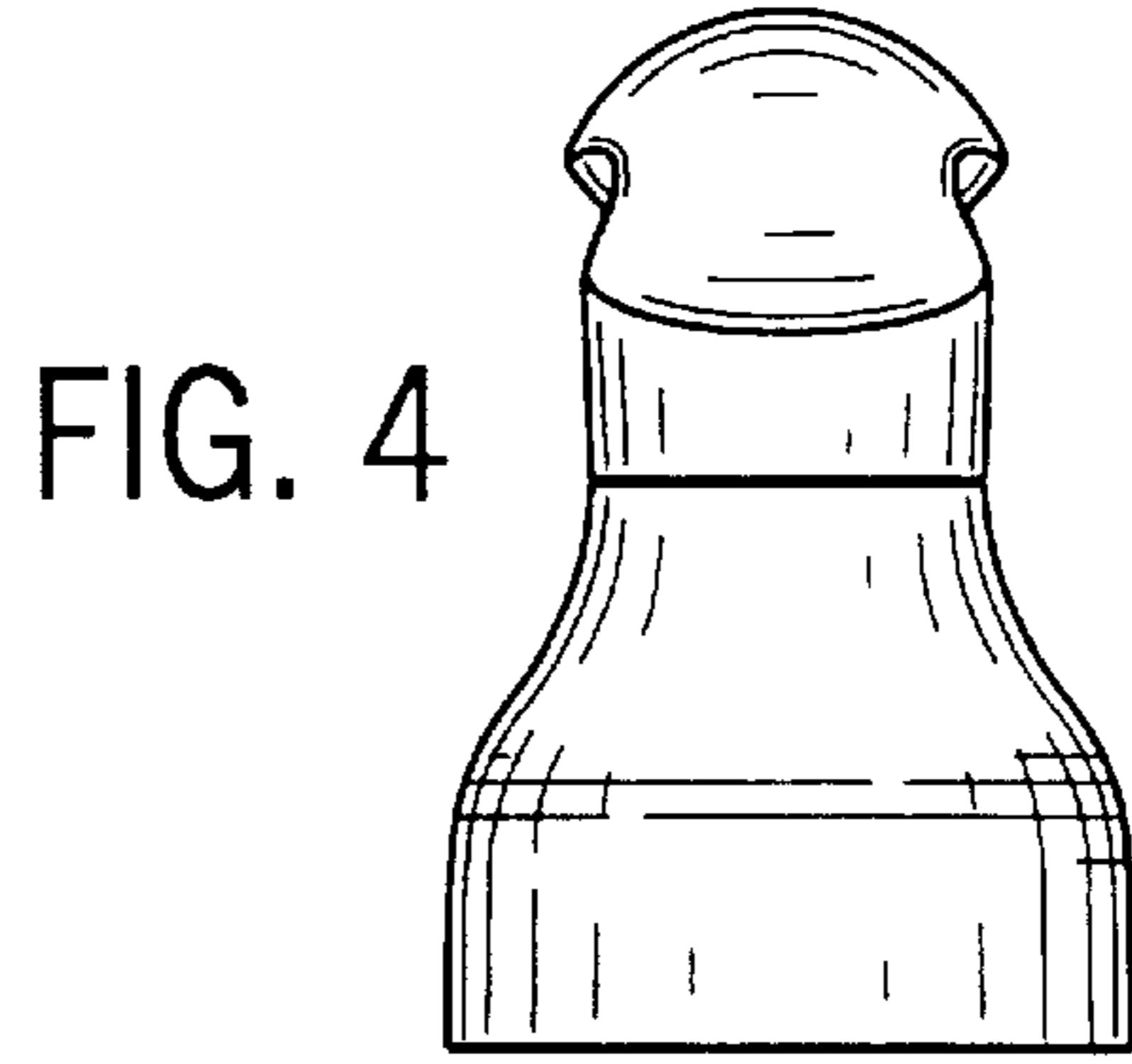


FIG. 4

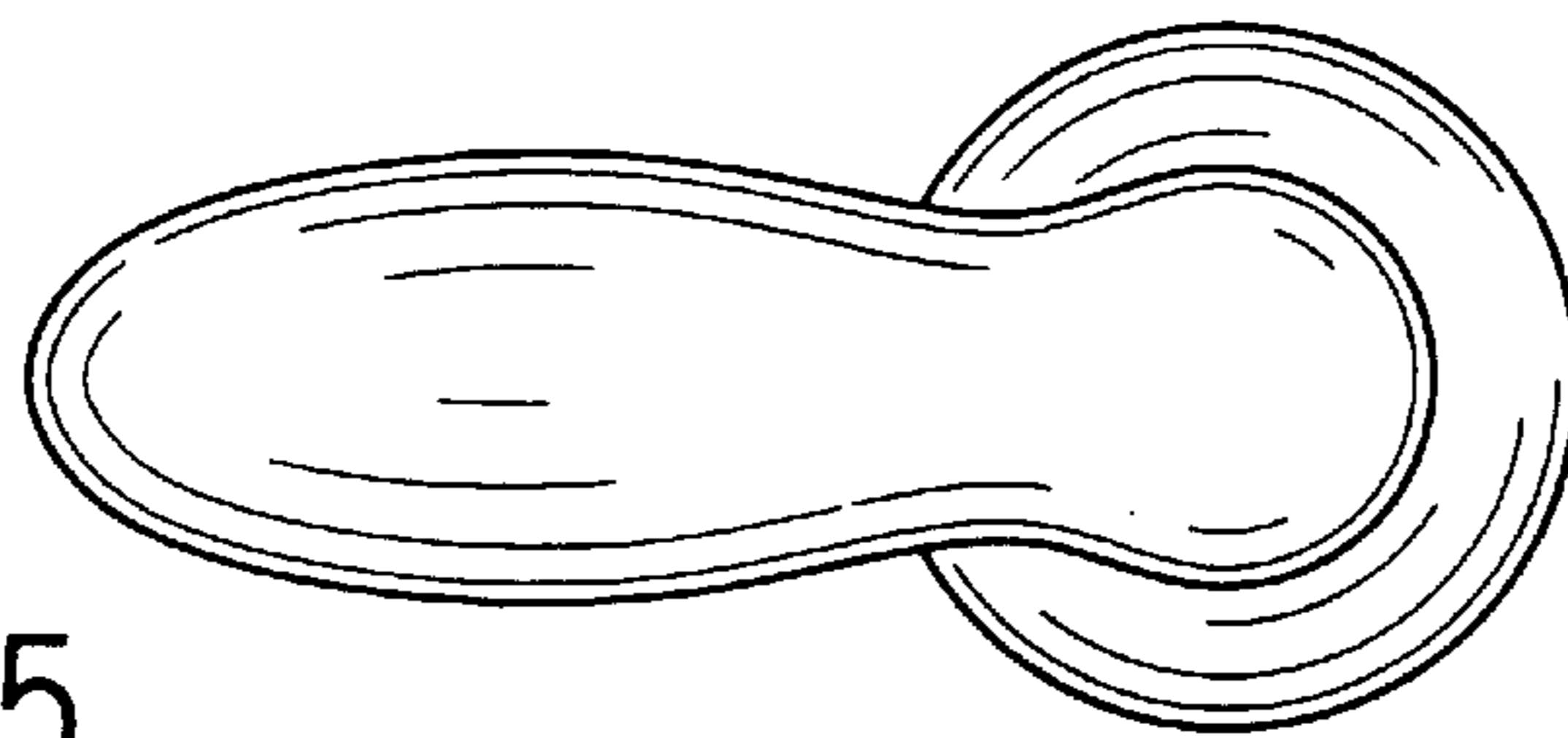


FIG. 5

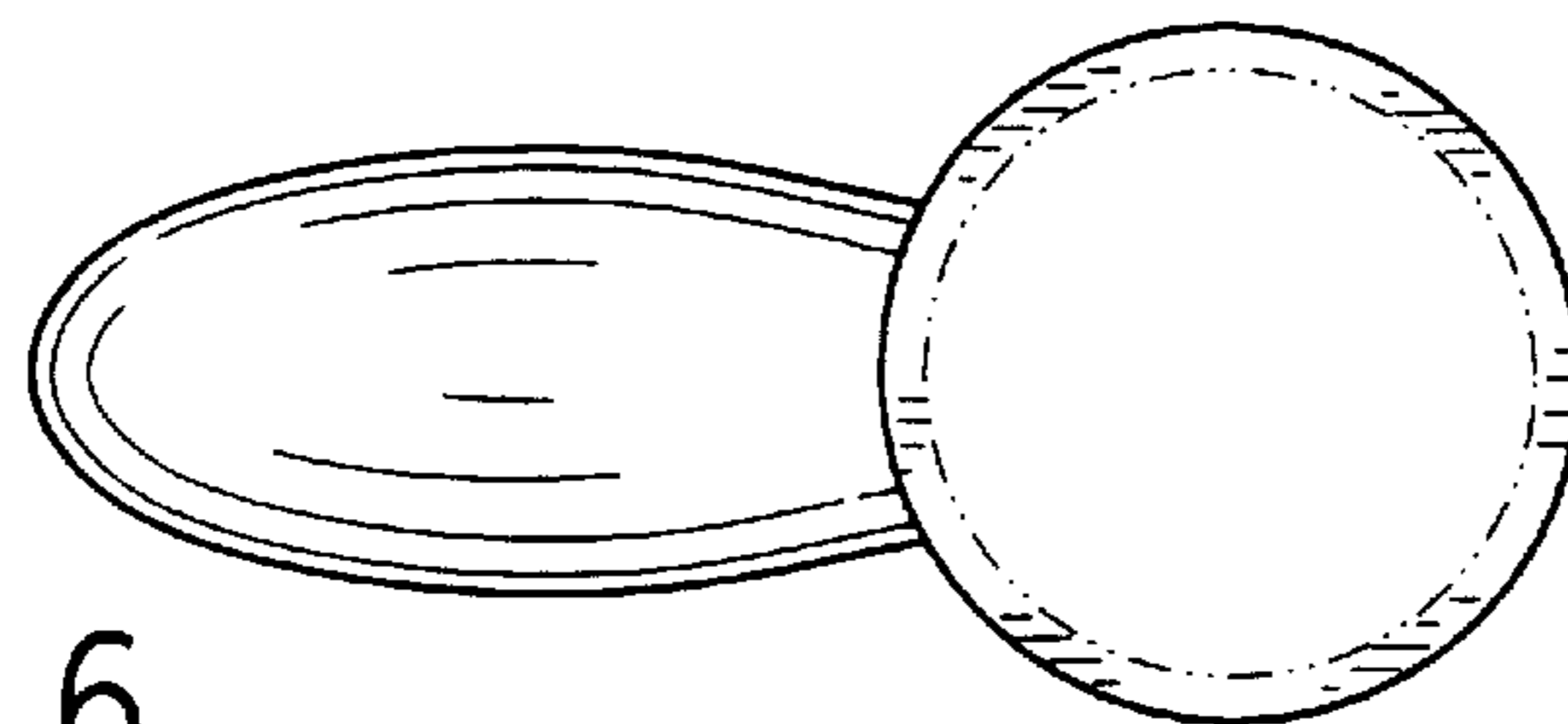


FIG. 6