



US00D472304S

(12) **United States Design Patent**
Fageroos et al.

(10) **Patent No.:** **US D472,304 S**
(45) **Date of Patent:** **** Mar. 25, 2003**

(54) **PAINT SPREADER**

(75) Inventors: **Victor Jon Fageroos**, Maple Grove, MN (US); **Jeffrey S. Jerdee**, Brooklyn Center, MN (US); **Steven A. Anderson**, Eden Prairie, MN (US); **Neil T. Amundsen**, Minneapolis, MN (US); **Joseph J. Schachtner**, St. Paul, MN (US)

(73) Assignee: **Wagner Spray Tech Corporation**, Plymouth, MN (US)

(**) Term: **14 Years**

(21) Appl. No.: **29/146,614**

(22) Filed: **Aug. 13, 2001**

(51) **LOC (7) Cl.** **23-01**

(52) **U.S. Cl.** **D23/225**

(58) **Field of Search** D23/213, 225;
401/146, 147, 197

| | | | |
|-------------|-----------|----------------------|---------|
| 3,816,035 A | 6/1974 | Malbec | |
| 3,873,790 A | 3/1975 | Coons | |
| 4,072,429 A | 2/1978 | Terzian | |
| 4,175,300 A | 11/1979 | McGlew | |
| 4,209,883 A | 7/1980 | Hawk | |
| 4,217,062 A | 8/1980 | Trp | |
| 4,231,668 A | 11/1980 | Groth | |
| 4,302,122 A | 11/1981 | Moya | |
| 4,540,301 A | 9/1985 | Swanson | |
| 4,551,036 A | * 11/1985 | Karliner et al. | 401/146 |
| D286,318 S | * 10/1986 | Passien | D23/225 |
| 4,639,156 A | 1/1987 | Stern | |
| 4,842,432 A | * 6/1989 | Snetting | 401/197 |
| D429,313 S | * 8/2000 | Bower et al. | D23/225 |

FOREIGN PATENT DOCUMENTS

| | | |
|----|---------|---------|
| CA | 822859 | 9/1969 |
| CA | 899008 | 5/1972 |
| DE | 2256428 | 5/1974 |
| DK | 1047686 | 5/1957 |
| FR | 1035235 | 4/1953 |
| FR | 2236448 | 2/1975 |
| FR | 2463303 | 2/1981 |
| GB | 1296033 | 11/1972 |
| GB | 1415788 | 11/1975 |

* cited by examiner

(56) **References Cited**

U.S. PATENT DOCUMENTS

| | | |
|-------------|---------|------------|
| 673,960 A | 5/1901 | Looker |
| 2,281,773 A | 5/1942 | Kollmann |
| 2,357,763 A | 9/1944 | Pratt |
| 2,478,318 A | 8/1949 | Raub |
| 2,541,301 A | 2/1951 | Sissler |
| 2,606,334 A | 8/1952 | Vaden |
| 2,627,620 A | 2/1953 | Gudze |
| 2,677,839 A | 5/1954 | Dean |
| 2,882,541 A | 4/1959 | Easley |
| 2,960,040 A | 11/1960 | Bischoff |
| 3,020,579 A | 2/1962 | O'Connor |
| 3,134,130 A | 5/1964 | Chadwick |
| 3,195,170 A | 7/1965 | Howard |
| 3,230,570 A | 1/1966 | Flippen |
| 3,336,625 A | 8/1967 | Carlee |
| 3,372,976 A | 3/1968 | MacFarland |
| 3,457,017 A | 7/1969 | Bastian |
| 3,539,268 A | 11/1970 | Stebbins |
| 3,591,319 A | 7/1971 | Shlisky |
| 3,724,016 A | 4/1973 | Soffer |
| 3,812,782 A | 5/1974 | Funahashi |

Primary Examiner—Robin V. Taylor

(74) *Attorney, Agent, or Firm*—Patterson, Thuente, Skaar & Christensen, P.A.

(57) **CLAIM**

We claim the ornamental design for paint spreader, as shown.

DESCRIPTION

FIG. 1 is a first side view of a paint spreader according to the present invention.

FIG. 2 is a back view of the paint spreader.

FIG. 3 is a front view of the paint spreader.

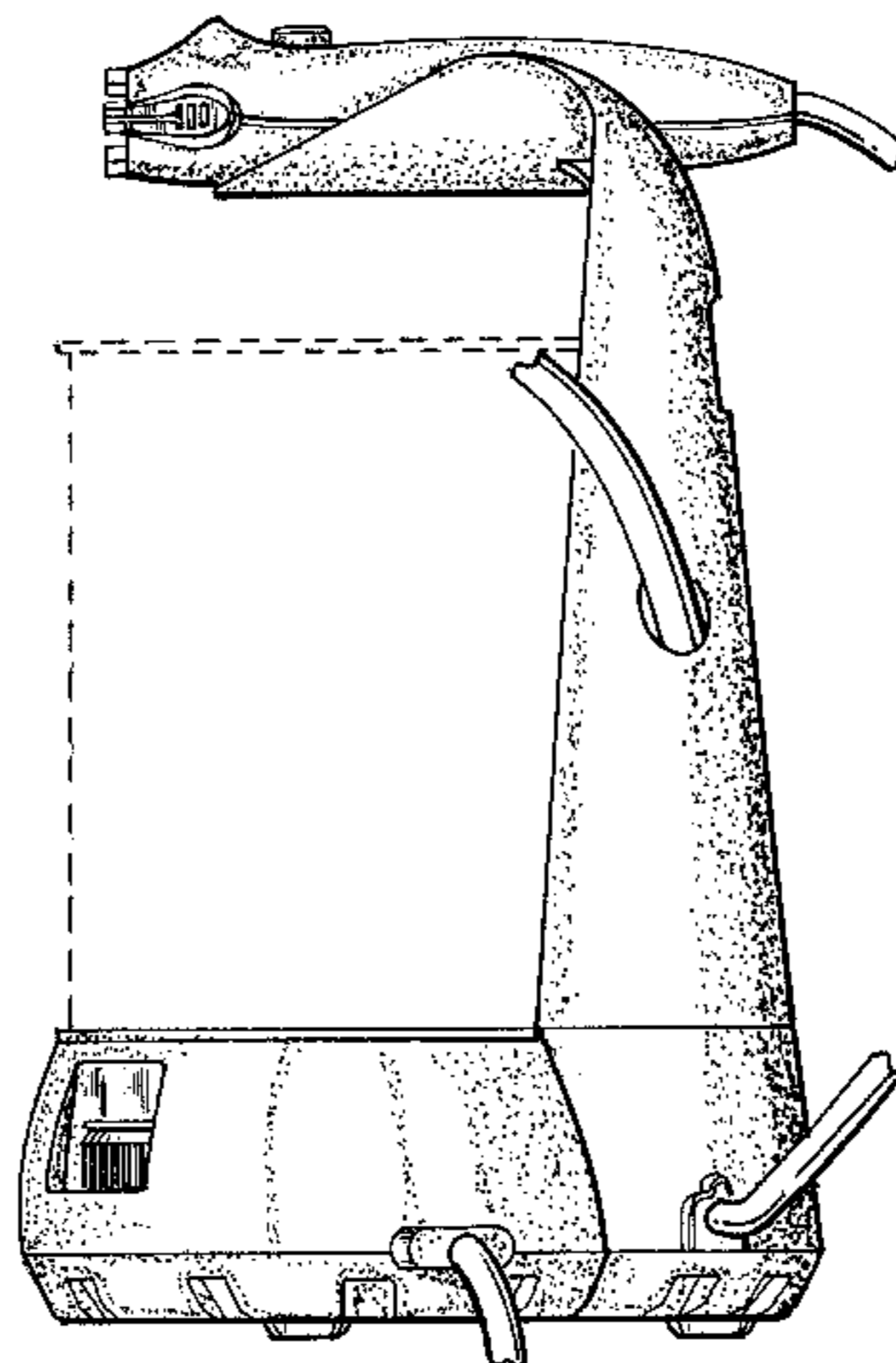
FIG. 4 is a second side view of the paint spreader.

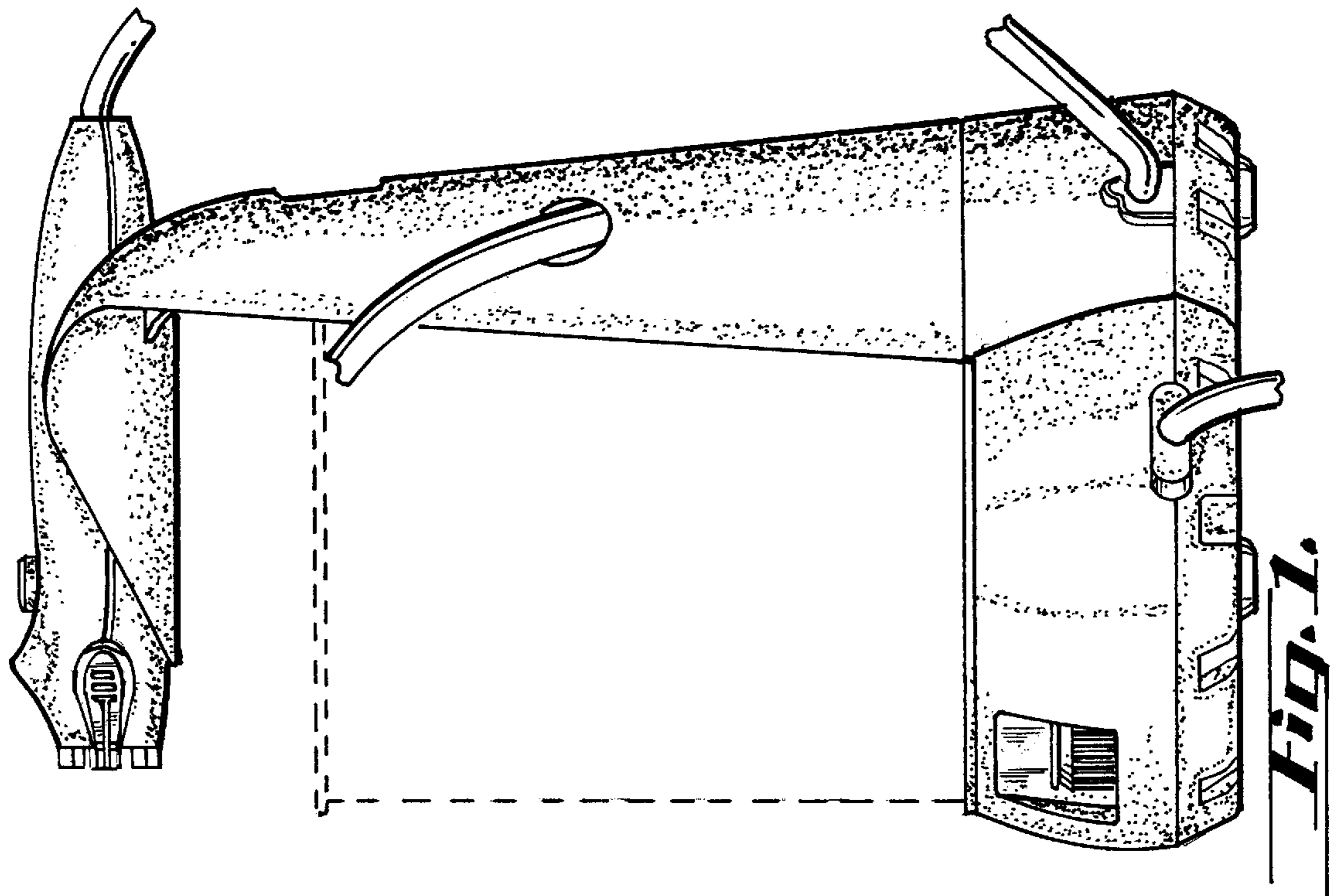
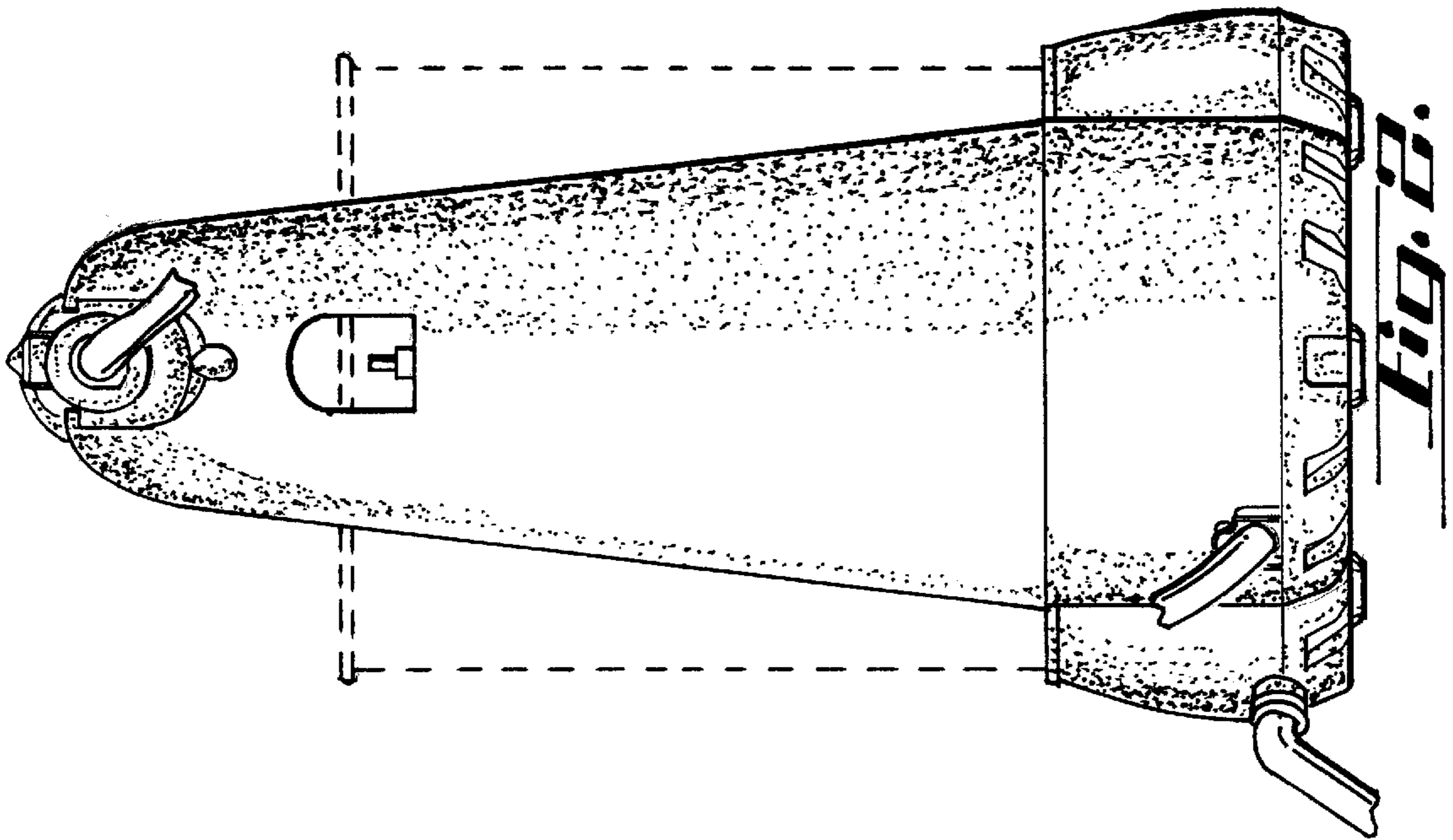
FIG. 5 is a bottom view of the paint spreader; and,

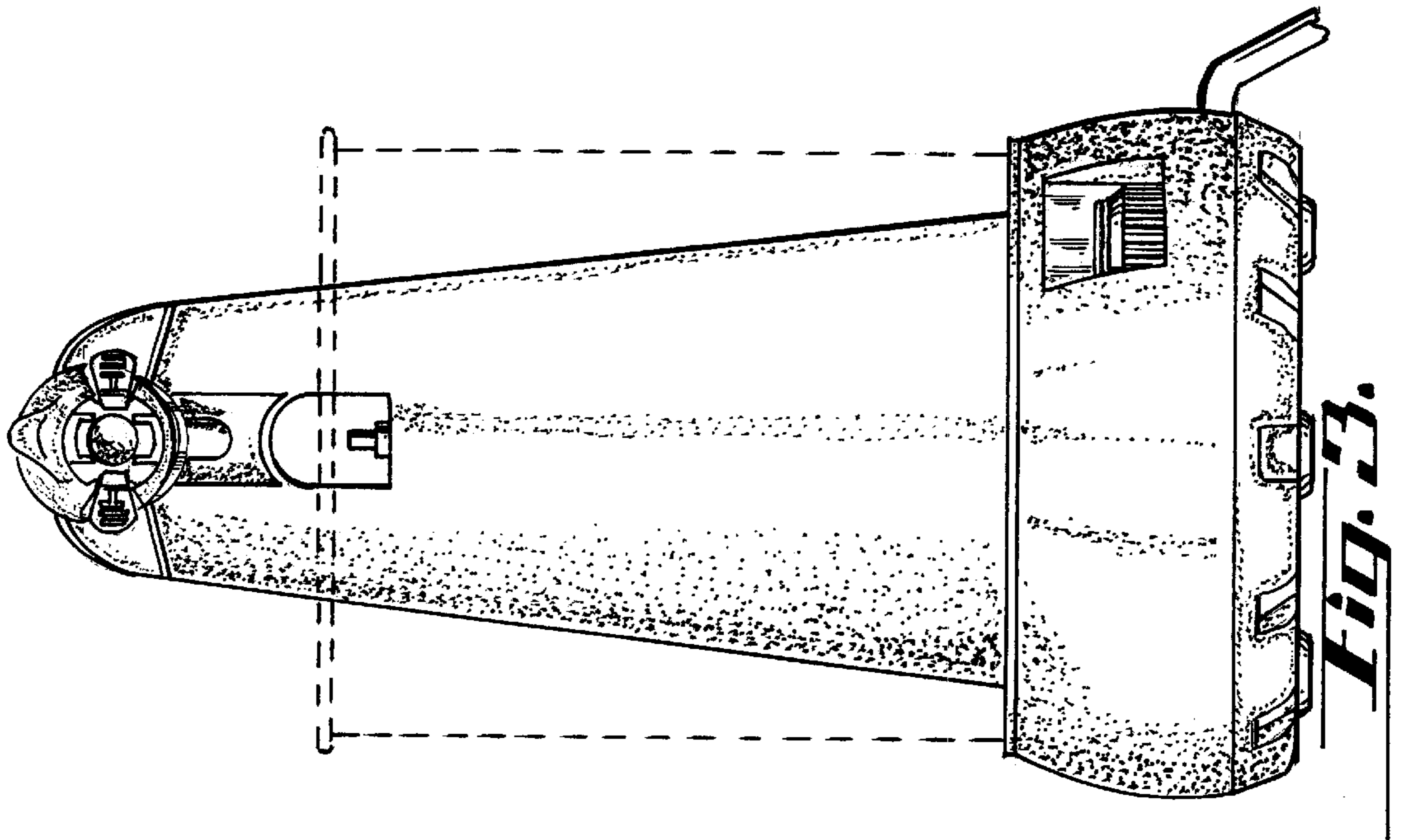
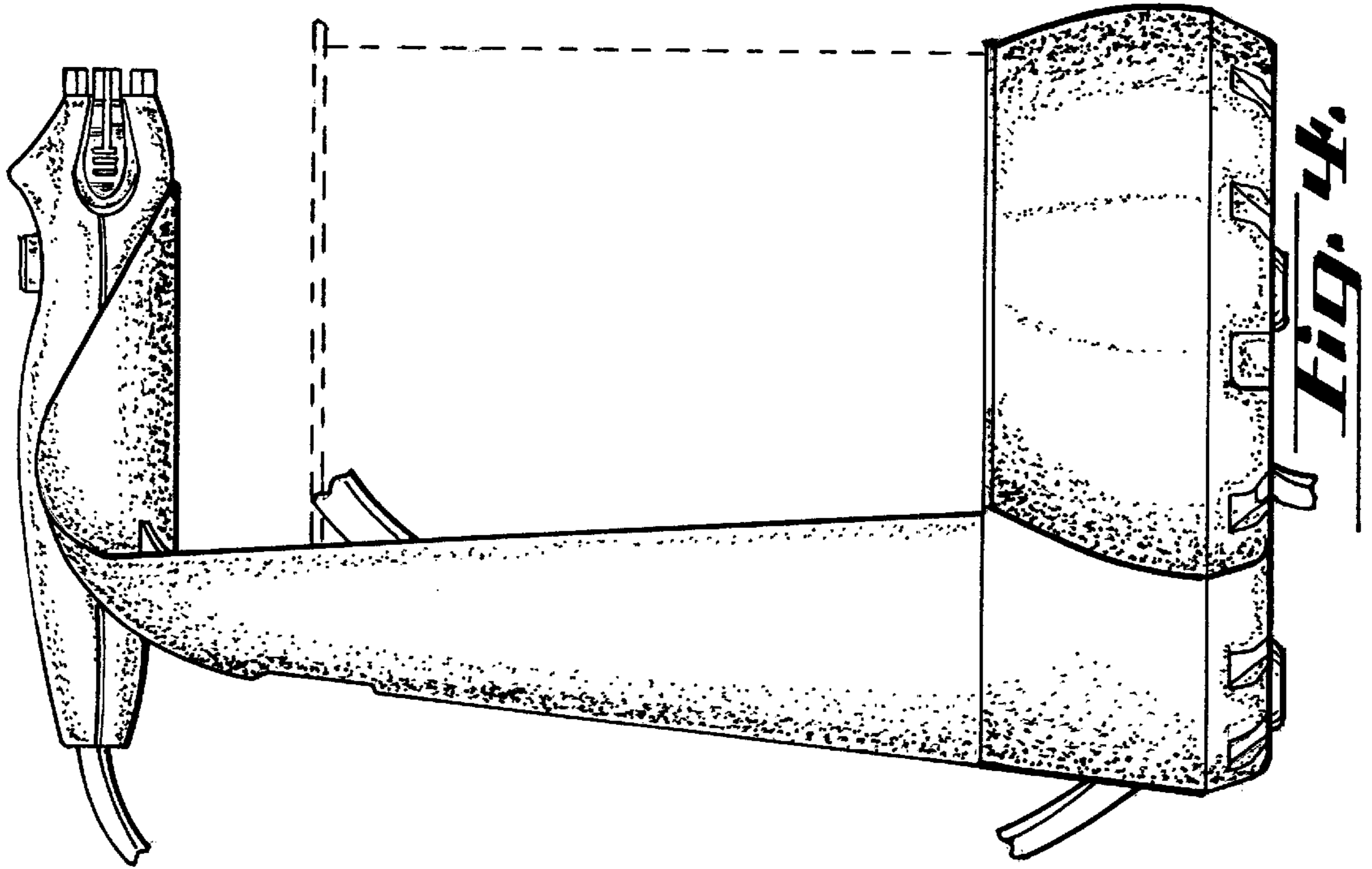
FIG. 6 is a top view of the paint spreader.

The broken line showing of a paint can is for illustrative purposes only and forms no part of the claimed design.

1 Claim, 3 Drawing Sheets







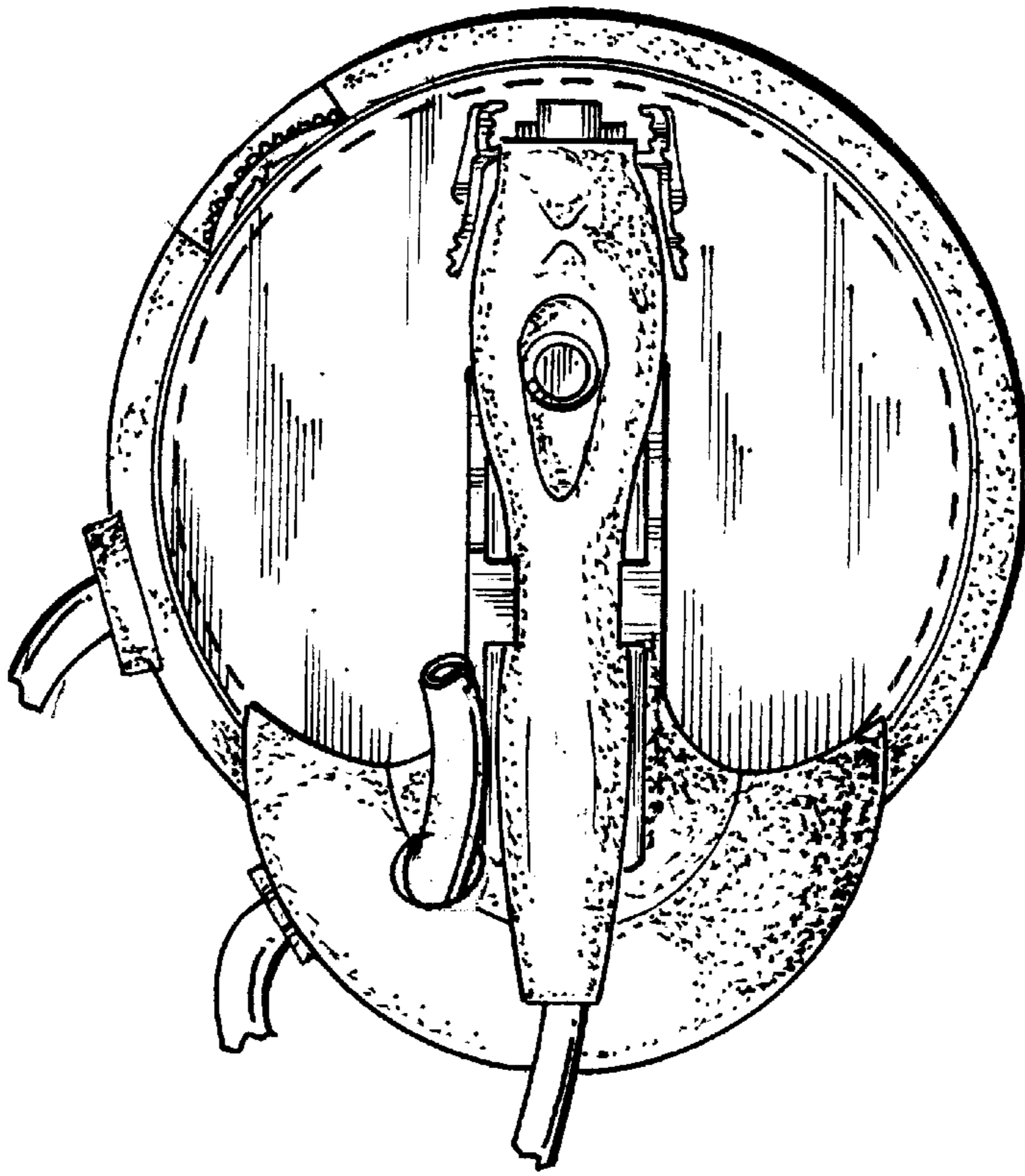


Fig. 6

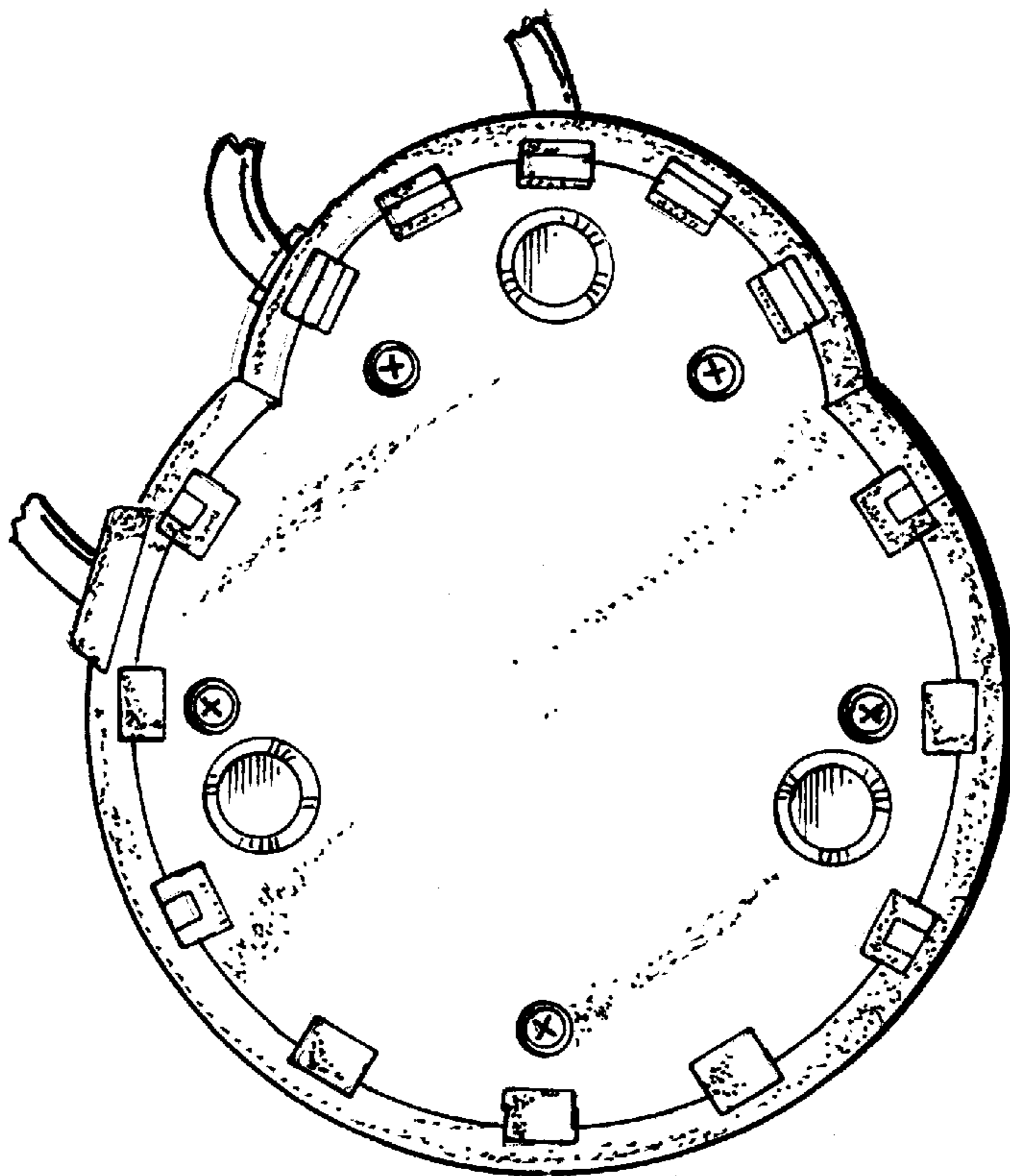


Fig. 5