



US00D472302S

(12) **United States Design Patent**
Colligan et al.

(10) **Patent No.:** **US D472,302 S**

(45) **Date of Patent:** **** Mar. 25, 2003**

(54) **EXTENDABLE SHOWERHEAD**

D454,620 S * 3/2002 Starck D23/228
D456,884 S * 5/2002 Haug et al. D23/304

(75) Inventors: **Francis D Colligan**, New Haven, CT (US); **Michael Wales**, Riverside, CT (US)

* cited by examiner

Primary Examiner—Robin V. Taylor

(73) Assignee: **Resources Conservation, Inc.**, Stamford, CT (US)

(74) *Attorney, Agent, or Firm*—Edgar A. Zarins; Lloyd D. Doigan

(**) Term: **14 Years**

(57) **CLAIM**

The ornamental design for an extendable showerhead, as shown and described.

(21) Appl. No.: **29/161,626**

DESCRIPTION

(22) Filed: **May 31, 2002**

(51) **LOC (7) Cl.** **23-01**

FIG. 1 is a perspective view of an extendable showerhead showing our new design;

(52) **U.S. Cl.** **D23/223; D23/228**

FIG. 2 is a front elevational view thereof;

(58) **Field of Search** D23/213, 228, D23/304; 239/587.1, 280, 280.5, 281; 4/570

FIG. 3 is a rear elevational view thereof;

FIG. 4 is a left side view thereof;

FIG. 5 is a right side view thereof;

FIG. 6 is a top plan view thereof; and,

FIG. 7 is a bottom plan view thereof.

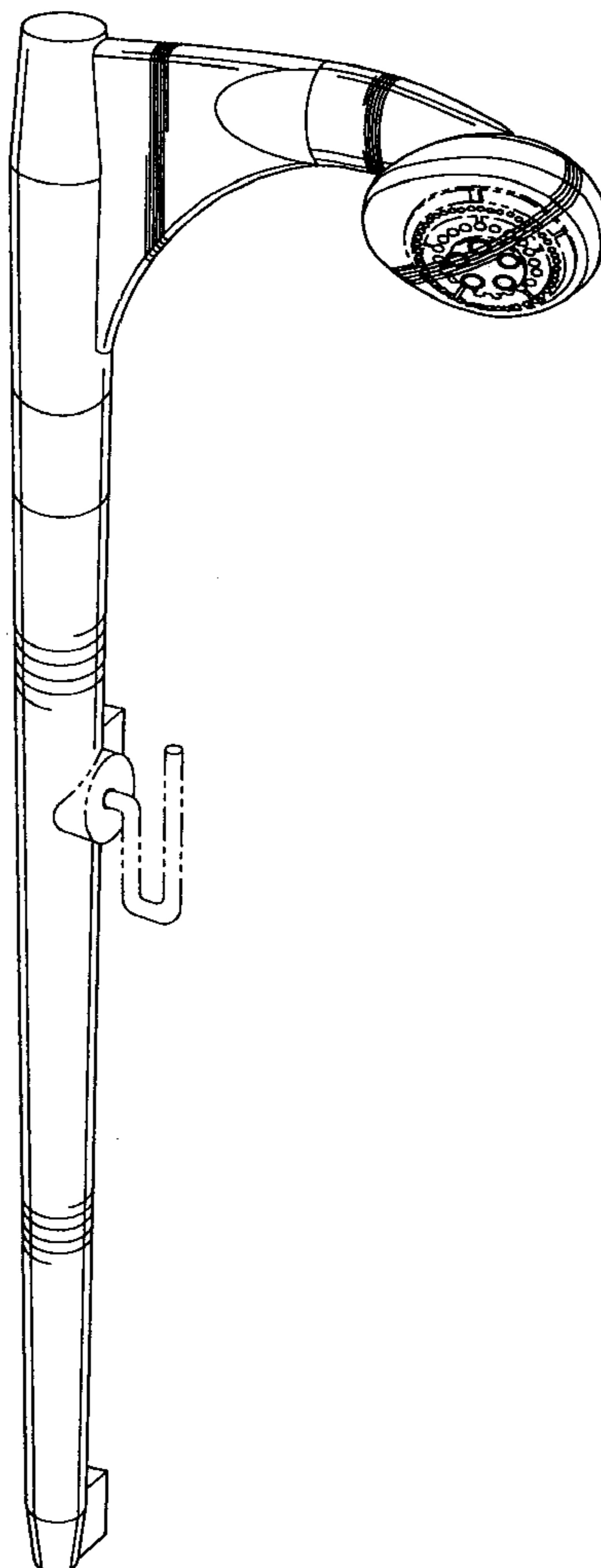
(56) **References Cited**

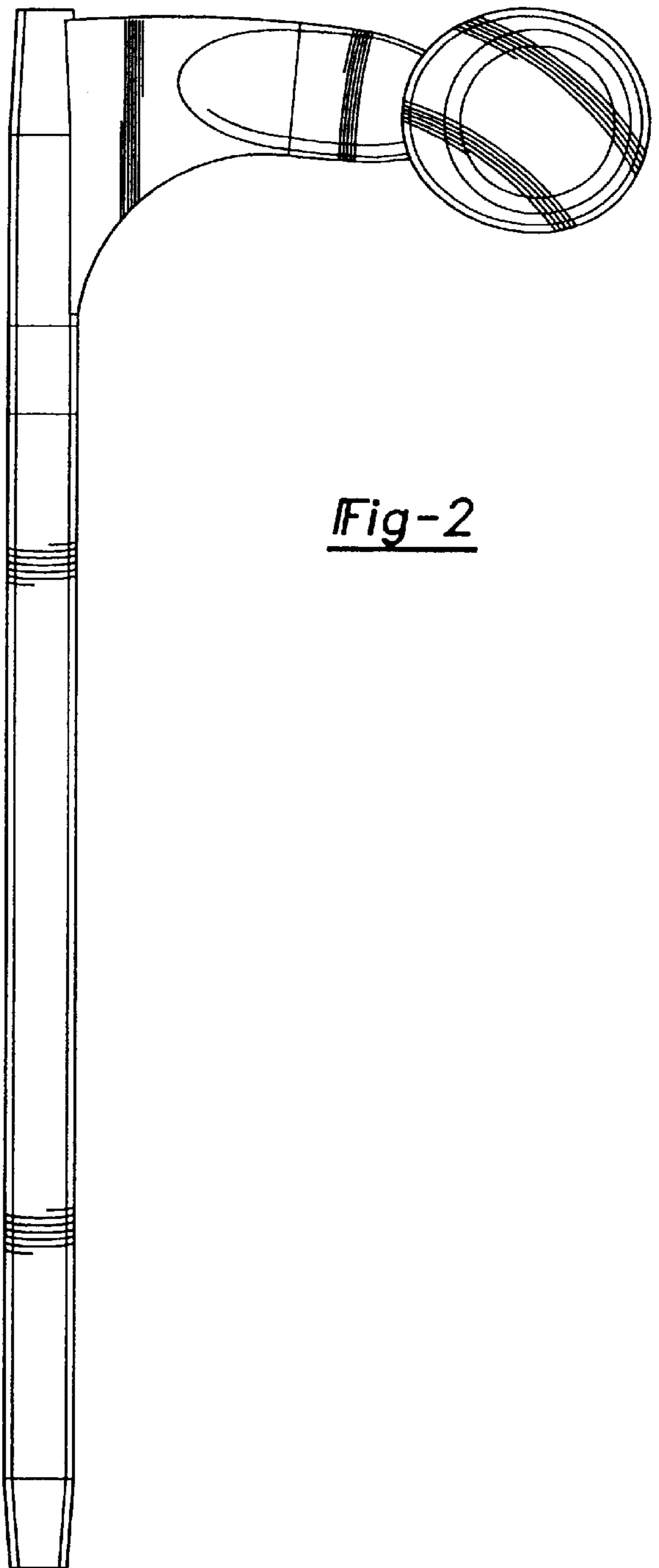
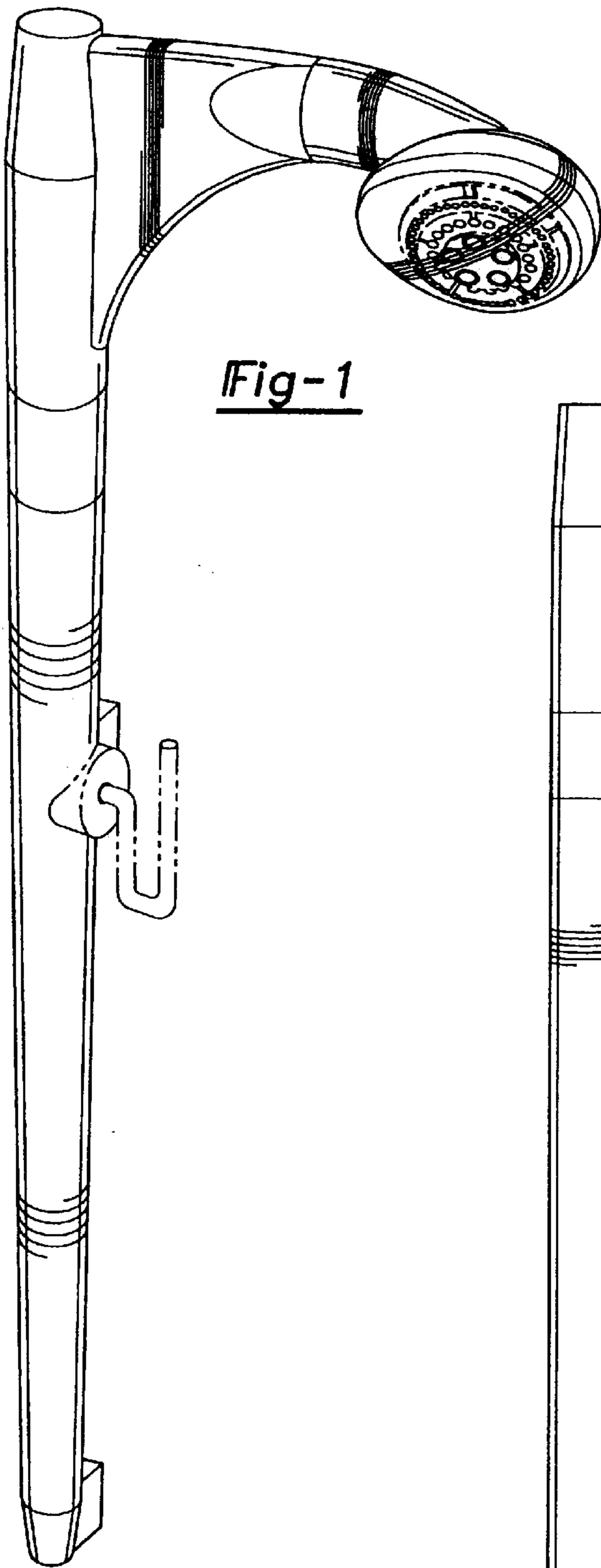
U.S. PATENT DOCUMENTS

1,516,226 A * 11/1924 Wixom 239/281
5,667,146 A * 9/1997 Pimental et al. 239/587.1
6,349,428 B1 * 2/2002 Nasr et al. 4/570

The broken line showing in FIG. 1 is for illustrative purposes only and forms no part of the claimed design.

1 Claim, 3 Drawing Sheets





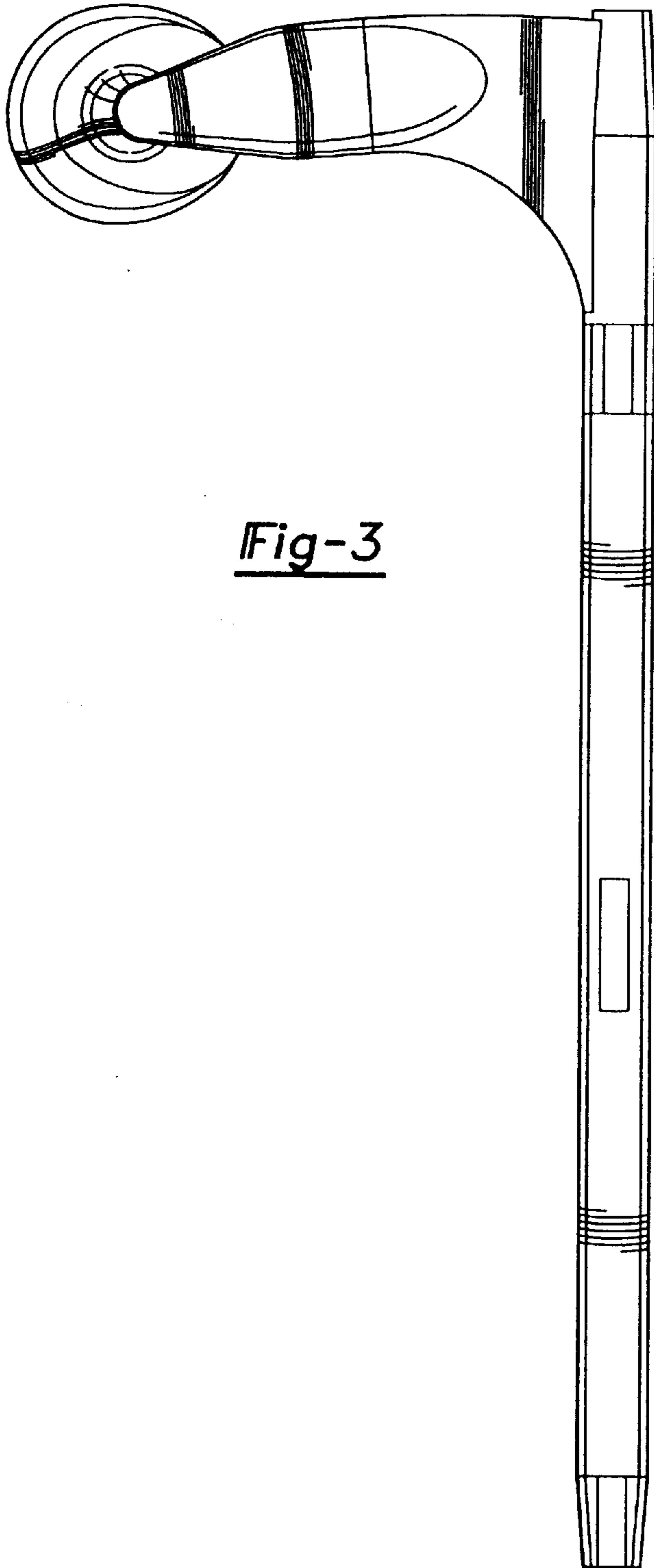


Fig-3

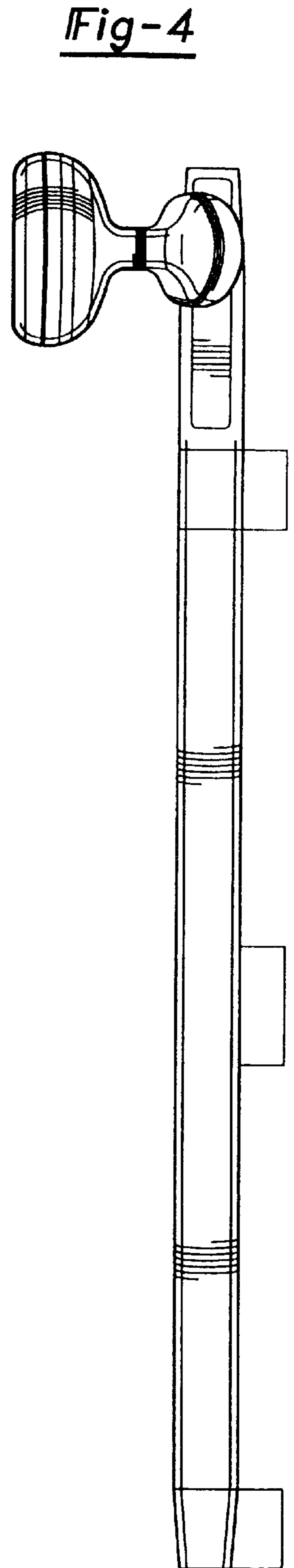


Fig-4

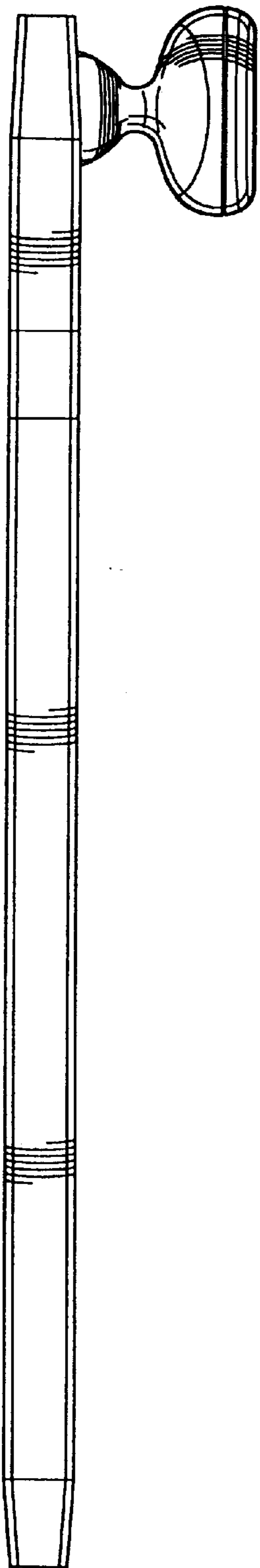


Fig-5

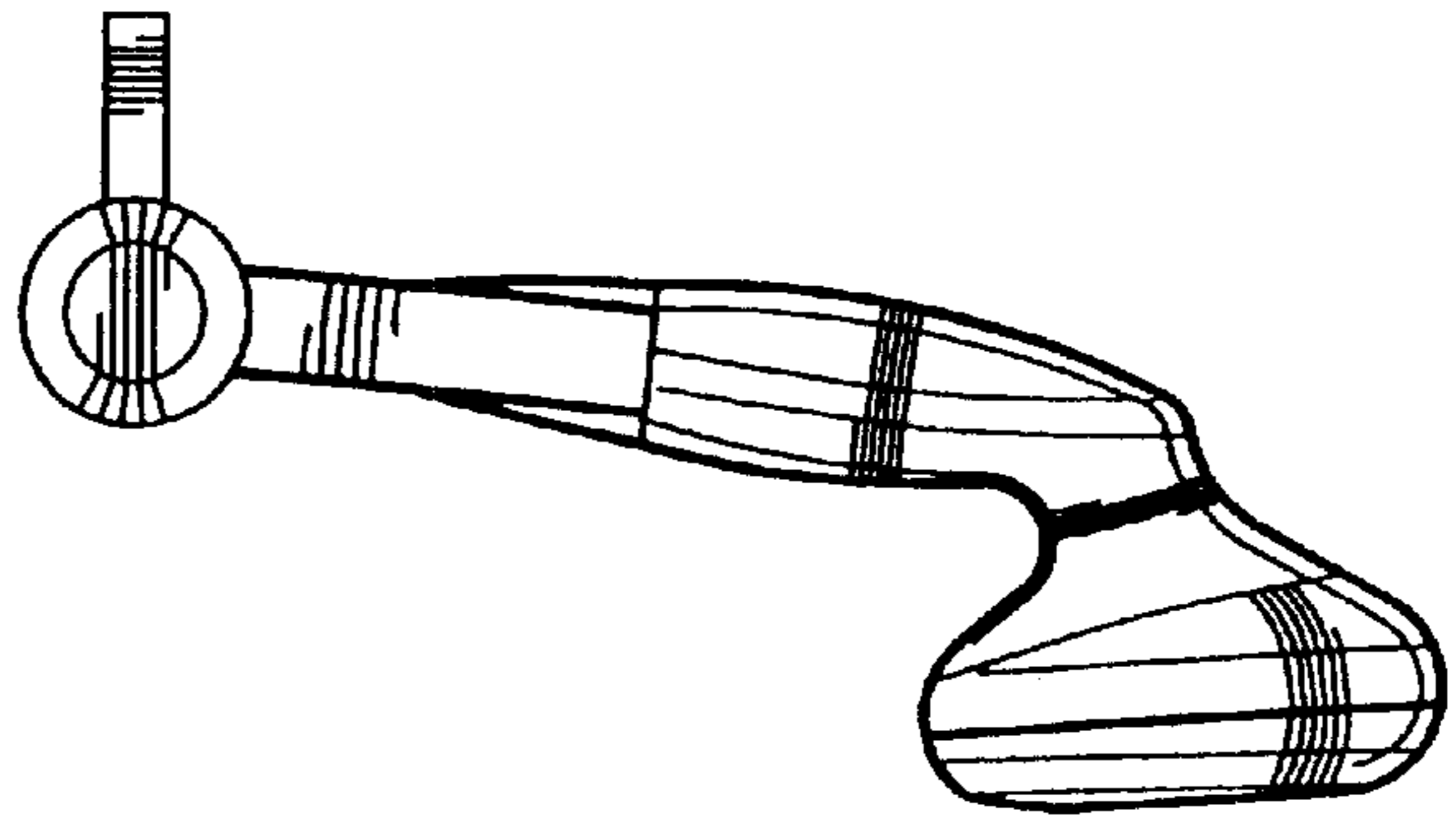


Fig-6

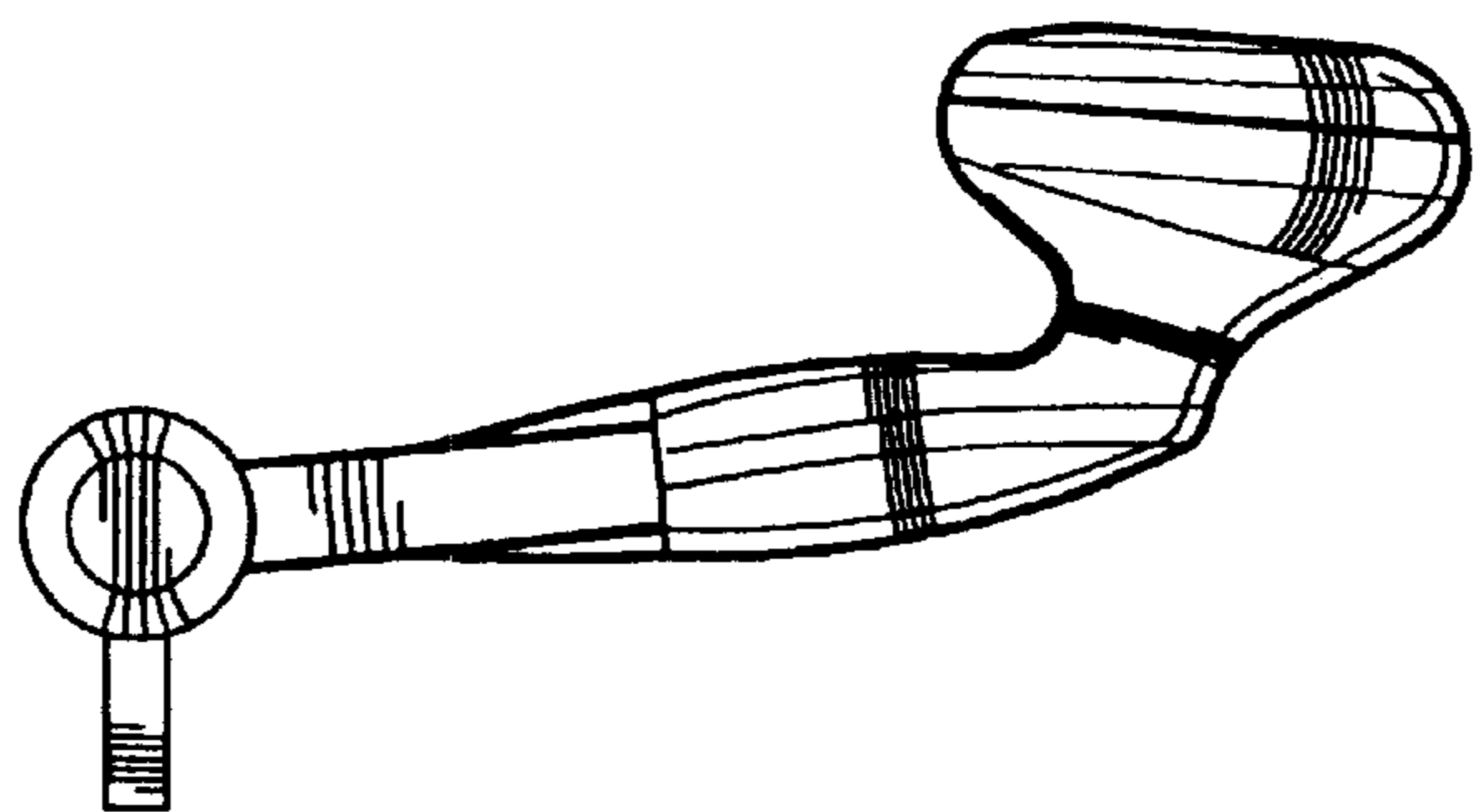


Fig-7