



US00D472300S

(12) **United States Design Patent**
Chen

(10) **Patent No.:** **US D472,300 S**

(45) **Date of Patent:** **** Mar. 25, 2003**

(54) **WATER SPRAYER FOR USE IN MOTOR CLEANING**

(75) **Inventor:** **Chin-Yuan Chen**, Chang-Hua Hsien (TW)

(73) **Assignee:** **Shin Tai Spurt Water of the Garden Tools Co., Ltd.**, Chang-Hua Hsien (TW)

(**) **Term:** **14 Years**

(21) **Appl. No.:** **29/165,603**

(22) **Filed:** **Aug. 14, 2002**

(51) **LOC (7) Cl.** **23-01**

(52) **U.S. Cl.** **D23/213**

(58) **Field of Search** D23/213; 239/459, 239/589, 602

(56) **References Cited**

U.S. PATENT DOCUMENTS

D415,554 S * 10/1999 Hui-Chen D23/213

D454,616 S * 3/2002 Hunt D23/213

D455,815 S * 4/2002 Bonzer D23/213

D456,488 S * 4/2002 Bonzer D23/213

D456,490 S * 4/2002 Bonzer D23/213

* cited by examiner

Primary Examiner—Robin V. Taylor

(74) *Attorney, Agent, or Firm*—Harrison & Egbert

(57) **CLAIM**

I claim the ornamental design for a water sprayer for use in motor cleaning, as shown and described.

DESCRIPTION

FIG. 1 is an upper perspective view of the water sprayer for use in motor cleaning showing my design.

FIG. 2 is a front view thereof;

FIG. 3 is a back view thereof;

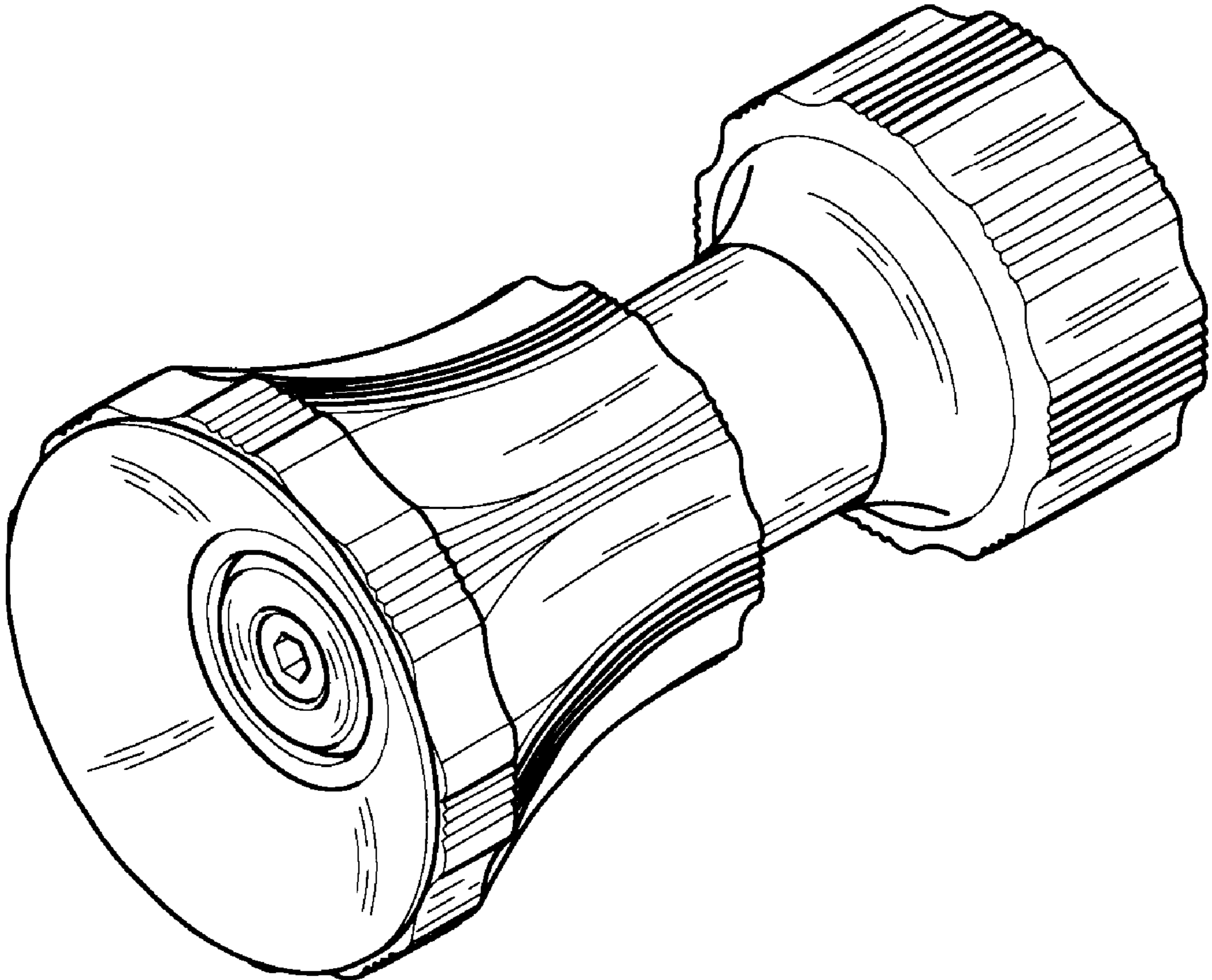
FIG. 4 is a side view thereof;

FIG. 5 is an opposite side view thereof;

FIG. 6 is a top view thereof; and,

FIG. 7 is a bottom view thereof.

1 Claim, 4 Drawing Sheets



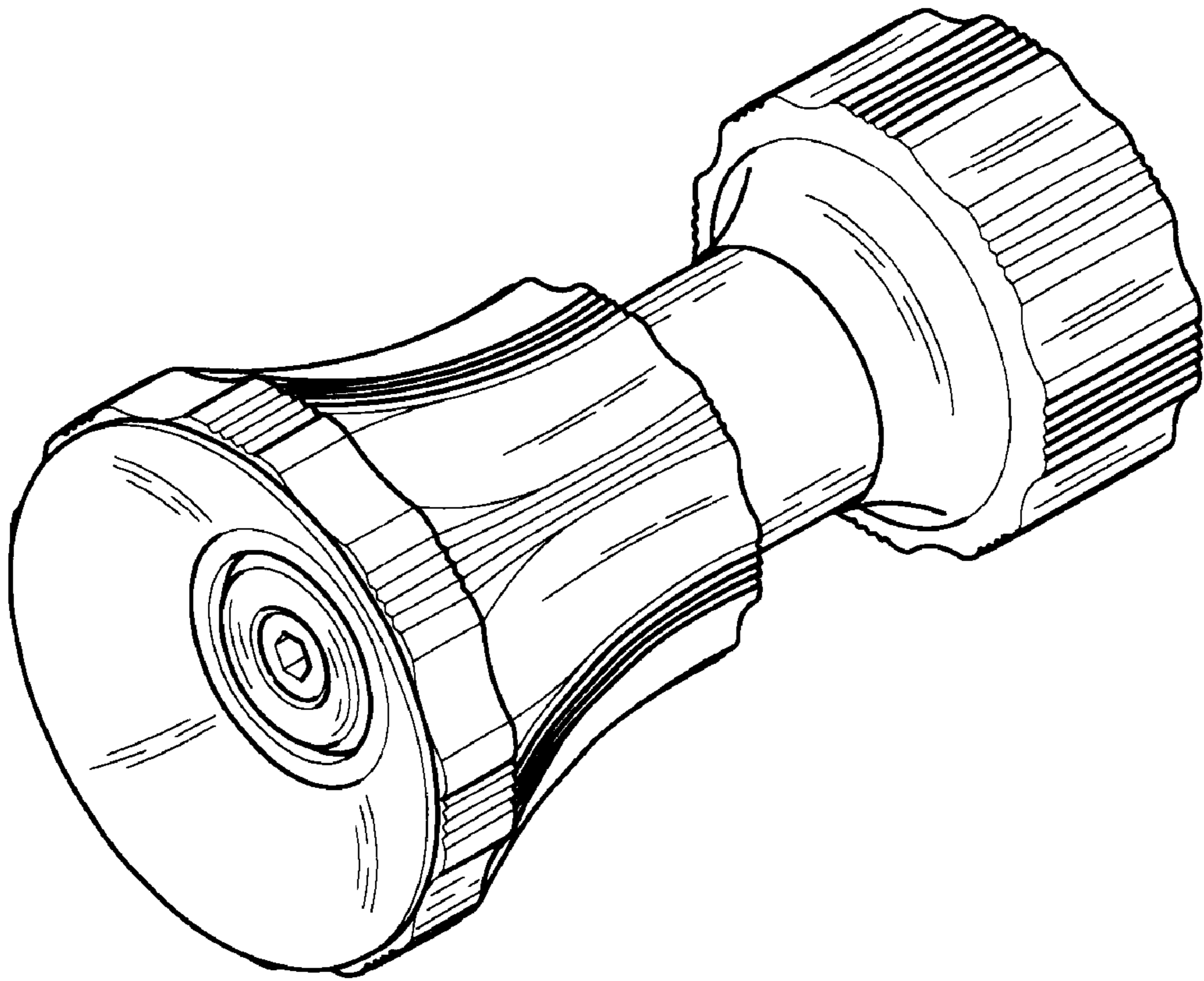


FIG.1

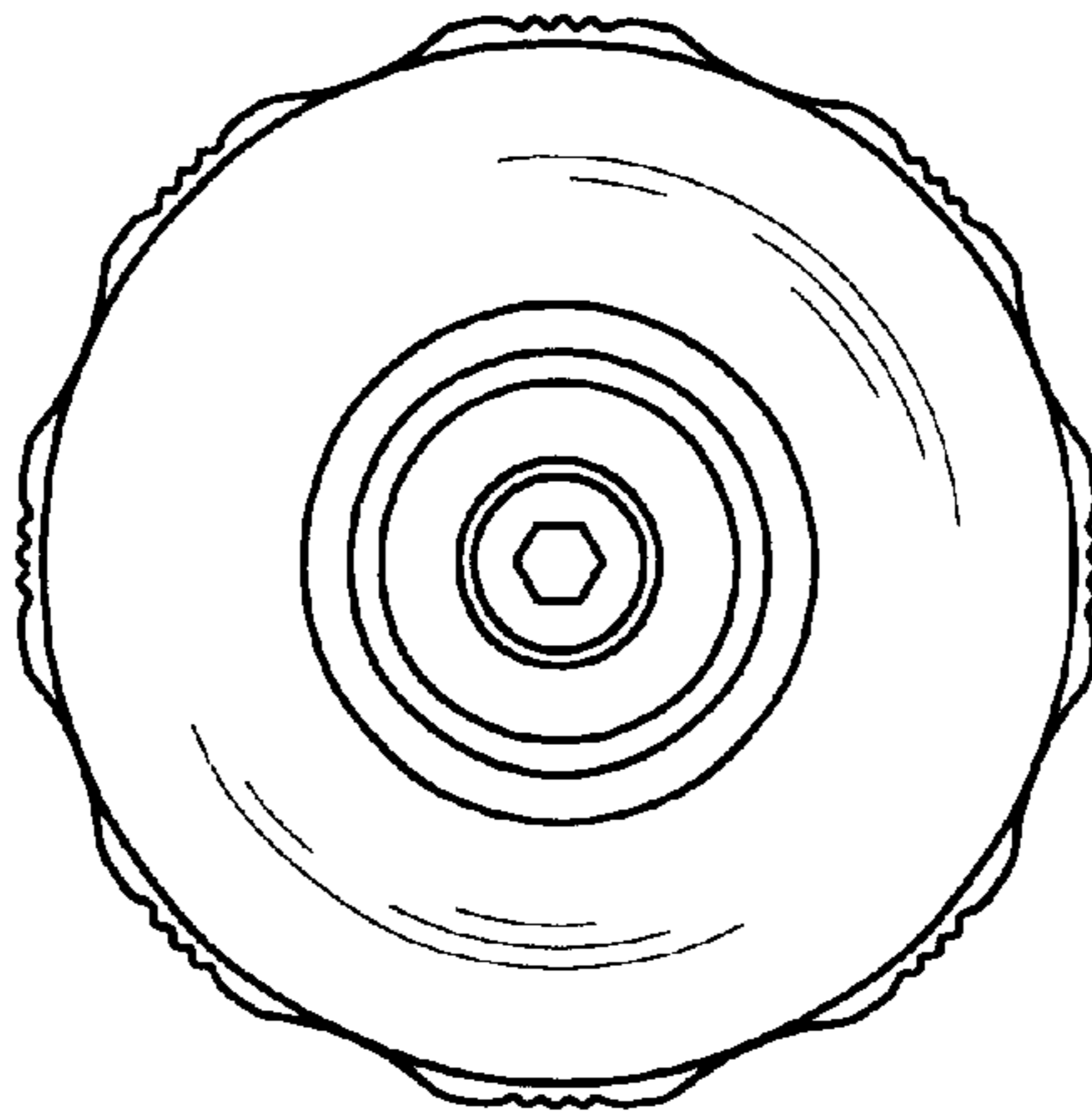


FIG. 2

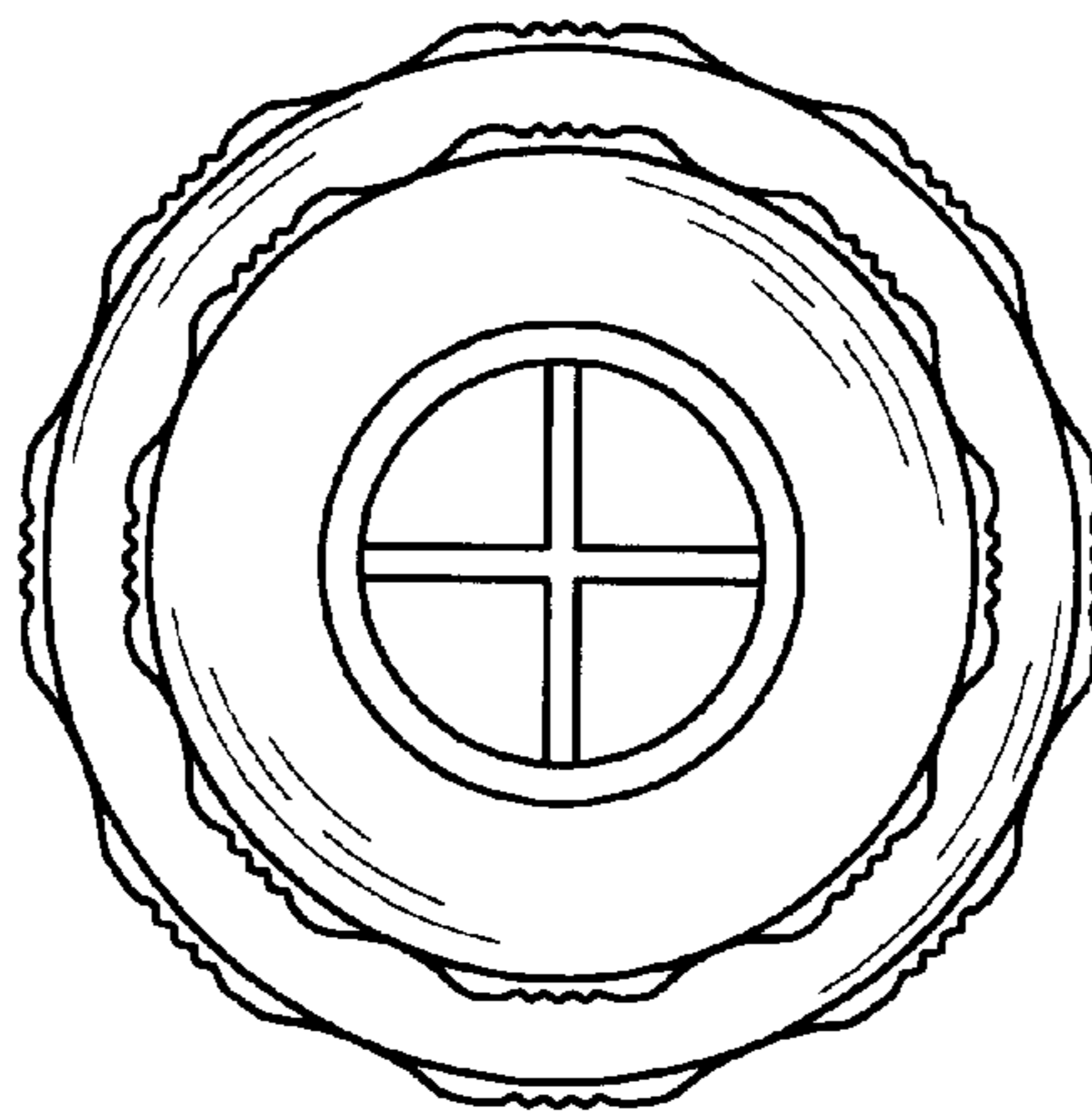


FIG. 3

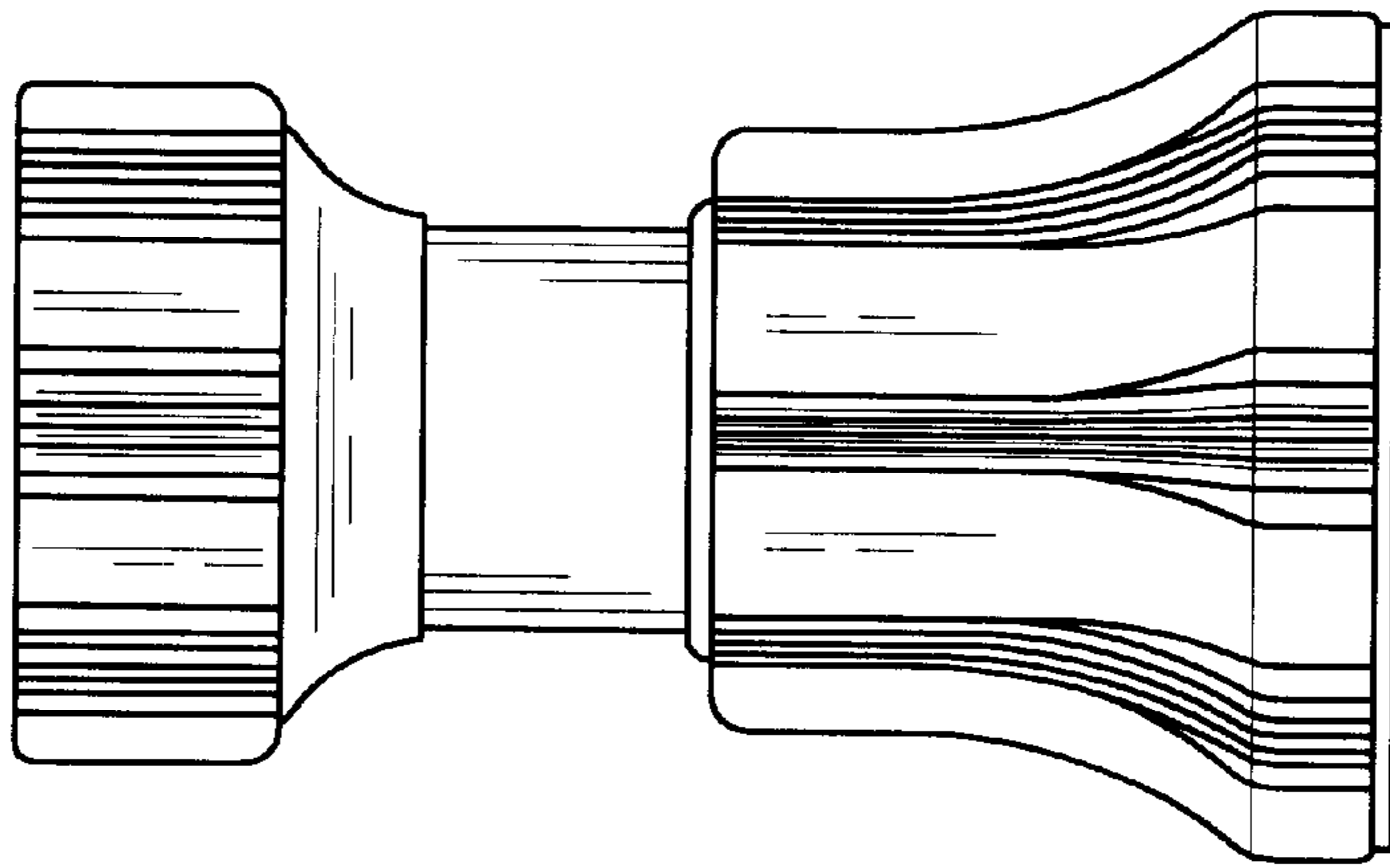


FIG. 4

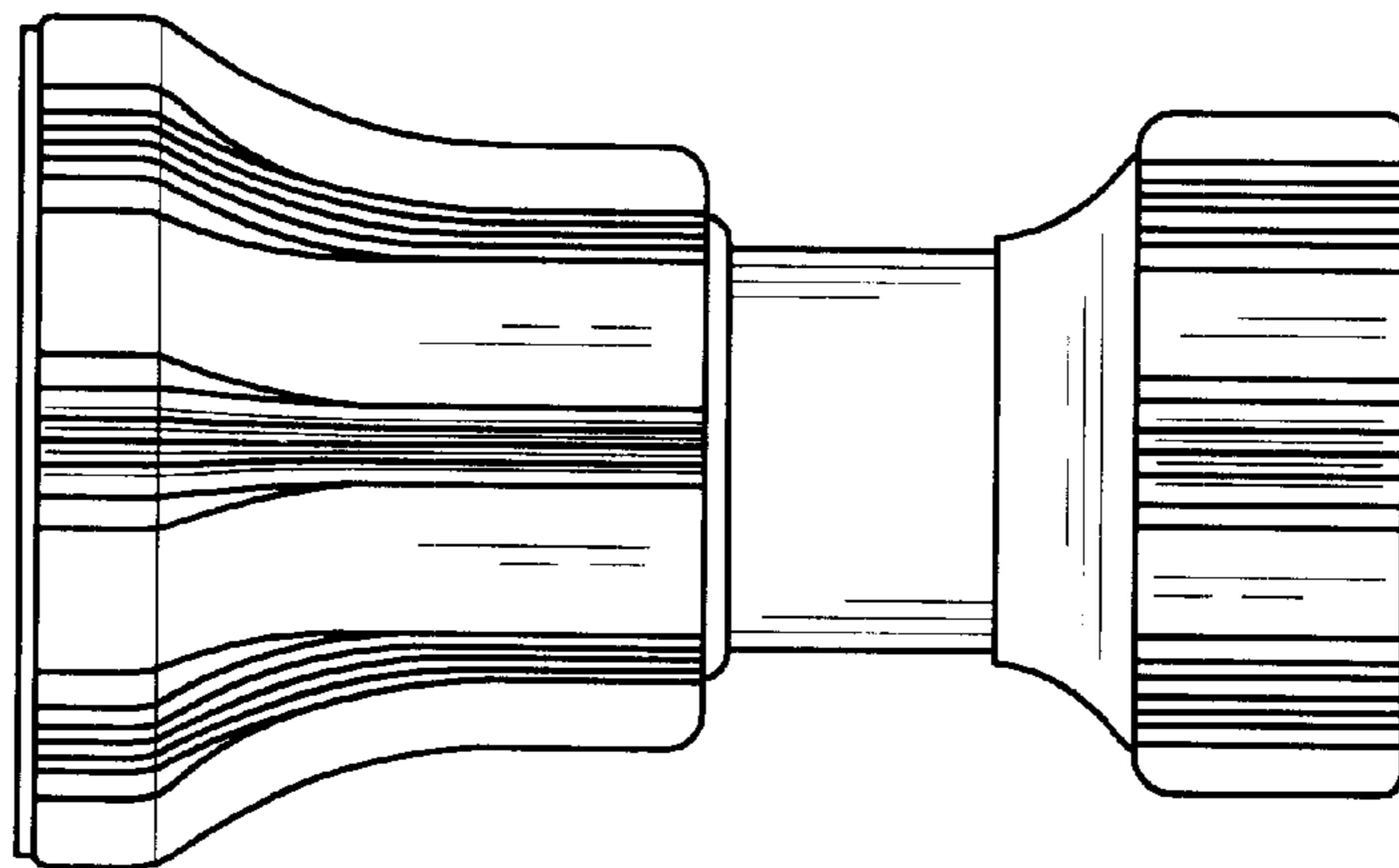


FIG. 5

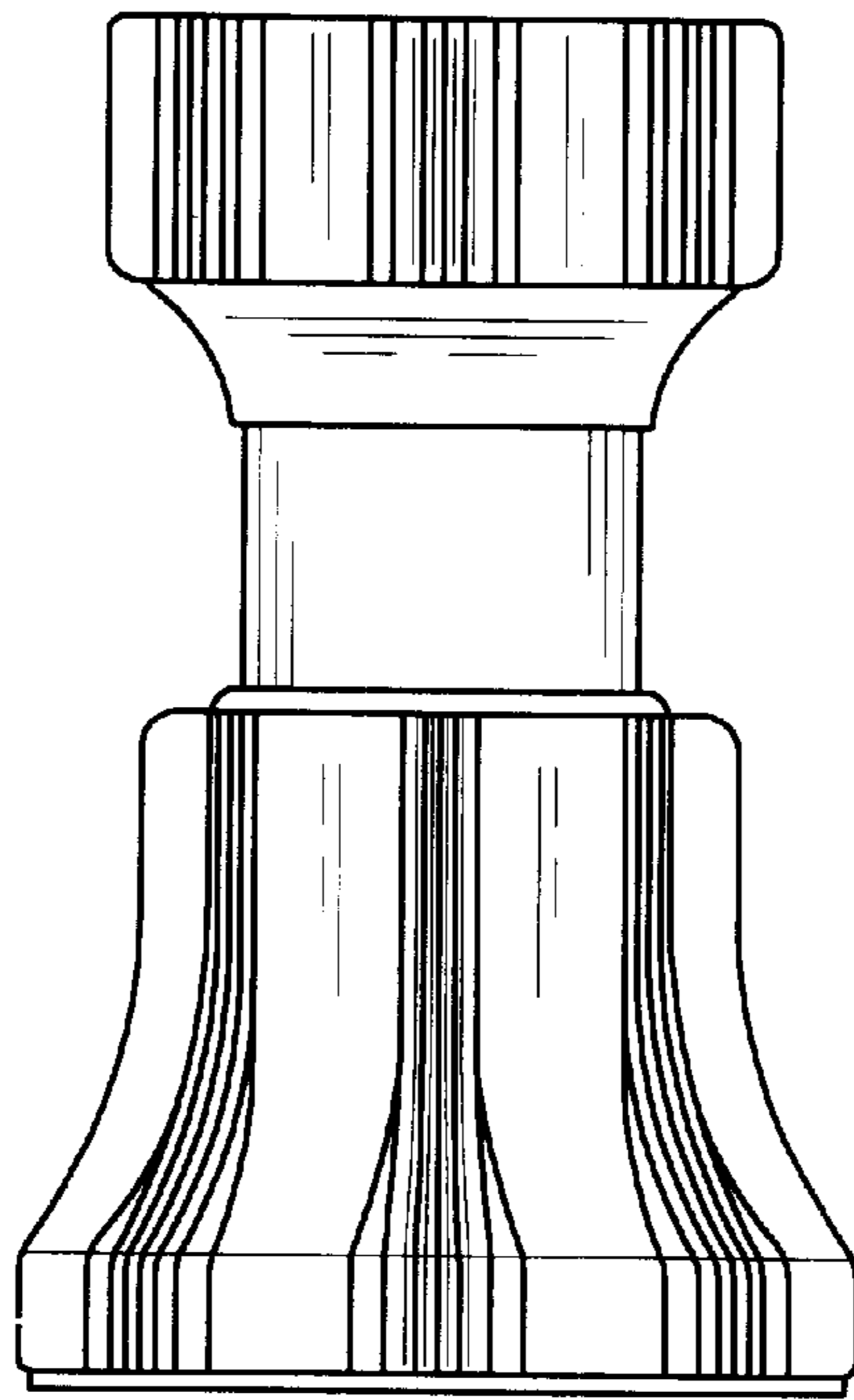


FIG. 6

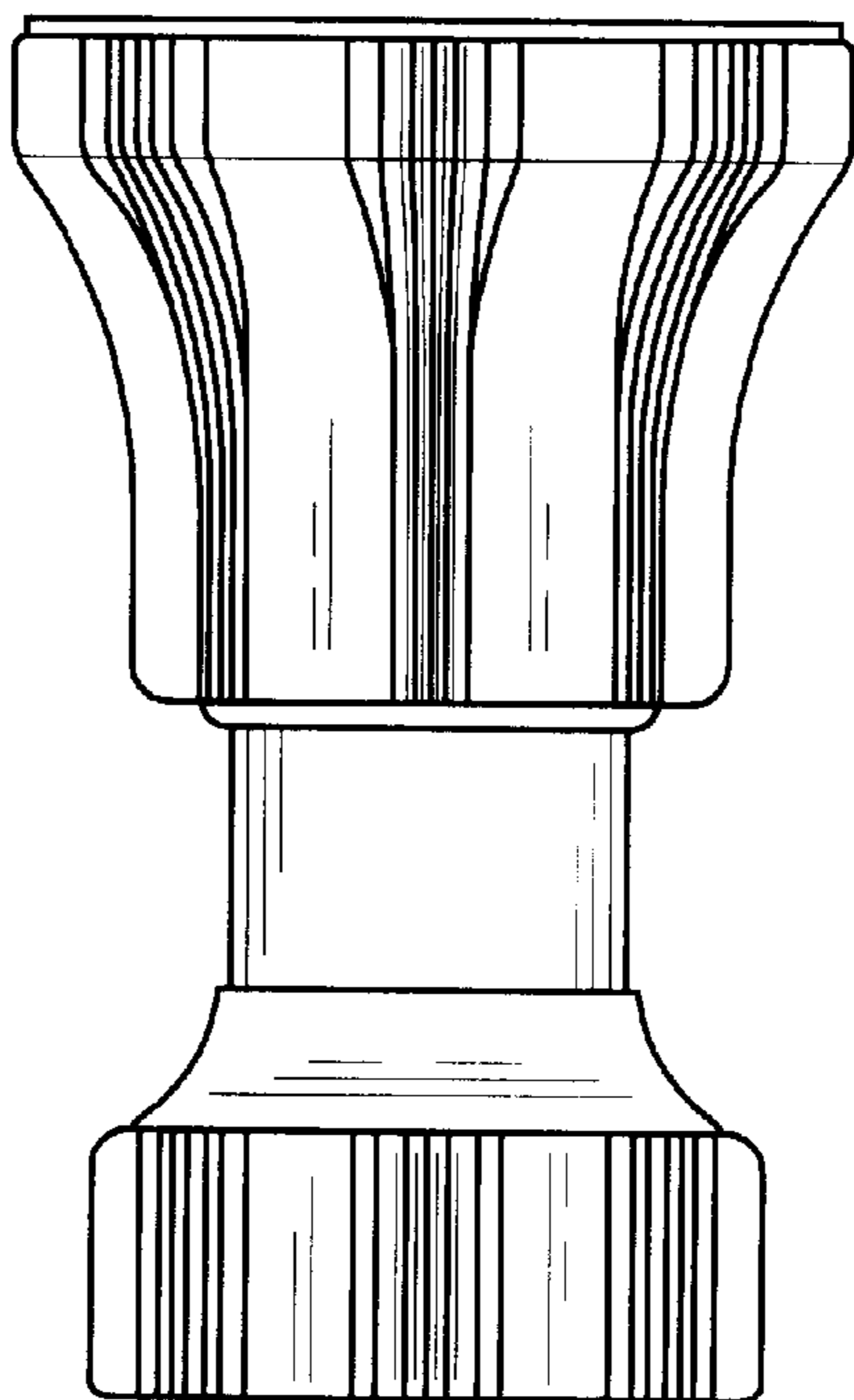


FIG. 7