



US00D472299S

(12) **United States Design Patent**
Fritze

(10) **Patent No.:** **US D472,299 S**

(45) **Date of Patent:** **** Mar. 25, 2003**

(54) **FILTER CARTRIDGE CONNECTOR**

(75) **Inventor:** **Karl Fritze**, Denmark Township, MN (US)

(73) **Assignee:** **PentaPure Incorporated**, Eagan, MN (US)

(**) **Term:** **14 Years**

(21) **Appl. No.:** **29/166,176**

(22) **Filed:** **Aug. 22, 2002**

(51) **LOC (7) Cl.** **23-01**

(52) **U.S. Cl.** **D23/209**

(58) **Field of Search** D23/207, 209;
210/232, 234, 235, 444

D356,625 S	*	3/1995	Petrucci et al.	D23/209
5,456,830 A	*	10/1995	Stanford et al.	210/235
5,486,288 A		1/1996	Stanford	
5,562,824 A		10/1996	Magnusson	
5,591,332 A		1/1997	Reid	
5,779,903 A		7/1998	Smith	
5,826,854 A		10/1998	Janvrin	
D410,064 S		5/1999	Hunter	
5,914,037 A		6/1999	Yen	
6,027,644 A		2/2000	Magnusson	
D423,081 S	*	4/2000	Niermeyer	D23/209
D433,094 S		10/2000	Magnusson	
6,193,884 B1		2/2001	Magnusson	
6,360,764 B1		3/2002	Fritze	
D455,814 S		4/2002	Magnusson	
6,426,001 B1		7/2002	Fritze	

FOREIGN PATENT DOCUMENTS

DE	2458784	6/1976
DE	2719875	11/1978
GB	1566502	4/1980

* cited by examiner

Primary Examiner—Robin V. Taylor
(74) *Attorney, Agent, or Firm*—Patterson, Thuente, Skaar & Christensen, P.A.

(57) **CLAIM**

I claim the ornamental design for filter cartridge connector, as shown.

DESCRIPTION

FIG. 1 is a perspective view of the filter cartridge connector; FIG. 2 is a front elevational view thereof; FIG. 3 is a rear elevational view; FIG. 4 is a top plan view; and, FIG. 5 is a bottom plan view.

1 Claim, 1 Drawing Sheet

(56) **References Cited**

U.S. PATENT DOCUMENTS

2,808,754 A	10/1957	Taylor
2,809,754 A	10/1957	Pudlo
2,858,026 A	10/1958	Lorimer
3,746,171 A	7/1973	Thomsen
4,515,692 A	5/1985	Chandler
4,877,521 A	10/1989	Petrucci
D306,754 S	3/1990	Petrucci
4,915,831 A	4/1990	Taylor
4,923,601 A	5/1990	Drori
D313,832 S	1/1991	Petrucci
D321,394 S	11/1991	Petrucci
D322,836 S	12/1991	Petrucci
5,126,044 A	6/1992	Magnusson
5,167,814 A	12/1992	Pulek
D334,614 S	4/1993	Biltoft
5,269,919 A	12/1993	von Medlin
5,328,609 A	7/1994	Magnusson
5,336,406 A	8/1994	Stanford
5,354,464 A	10/1994	Slovak

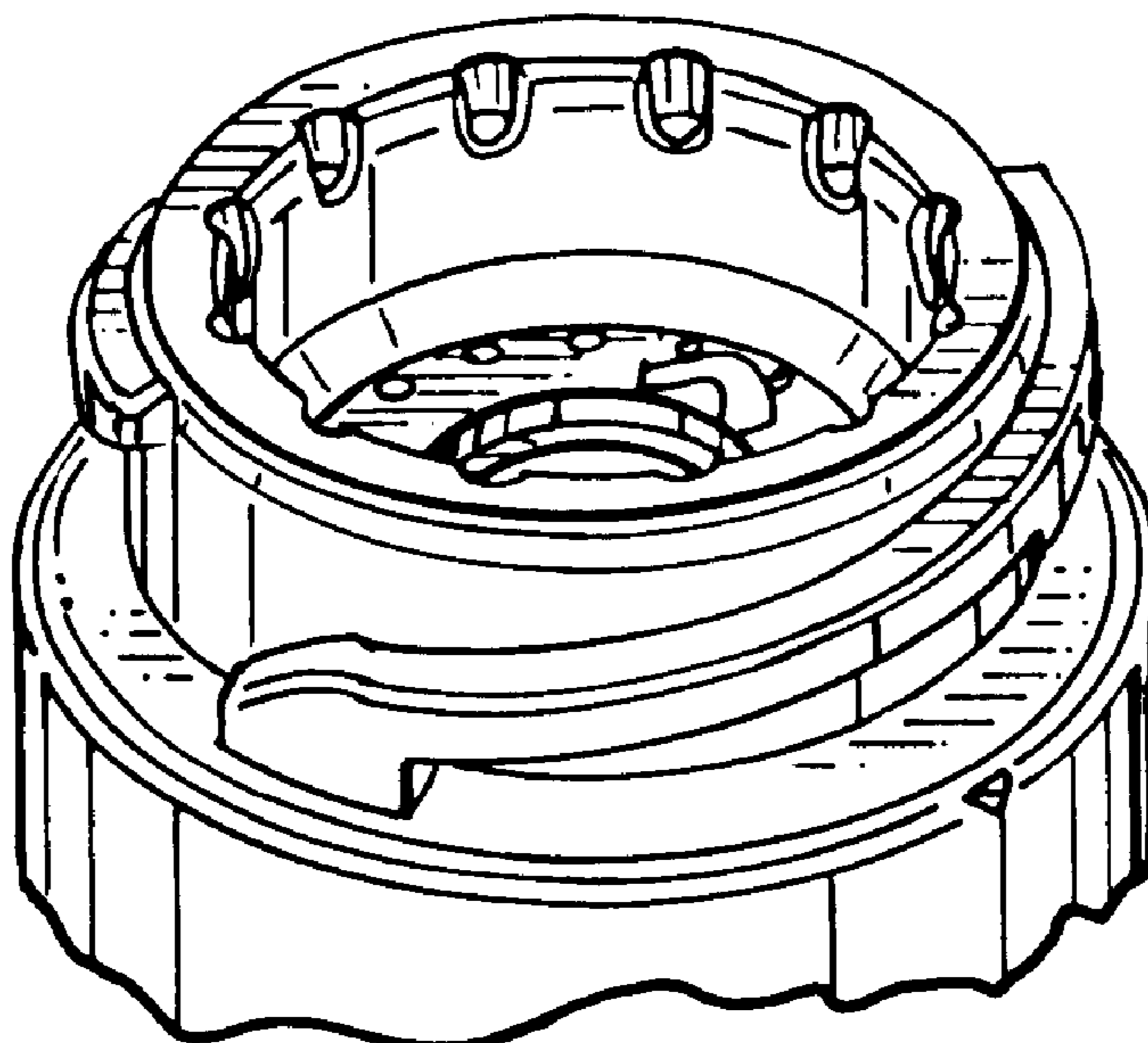


Fig. 1

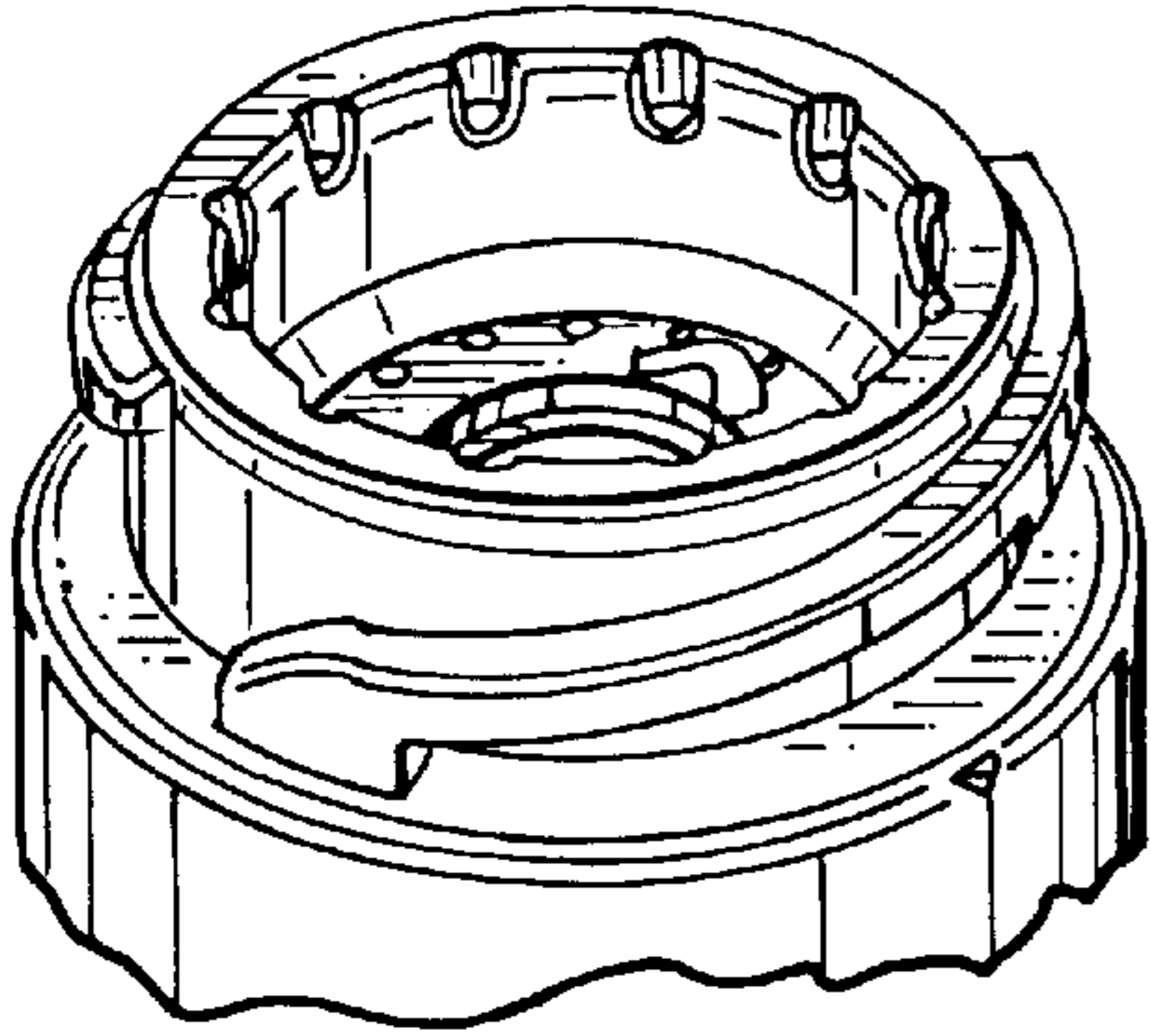


Fig. 2

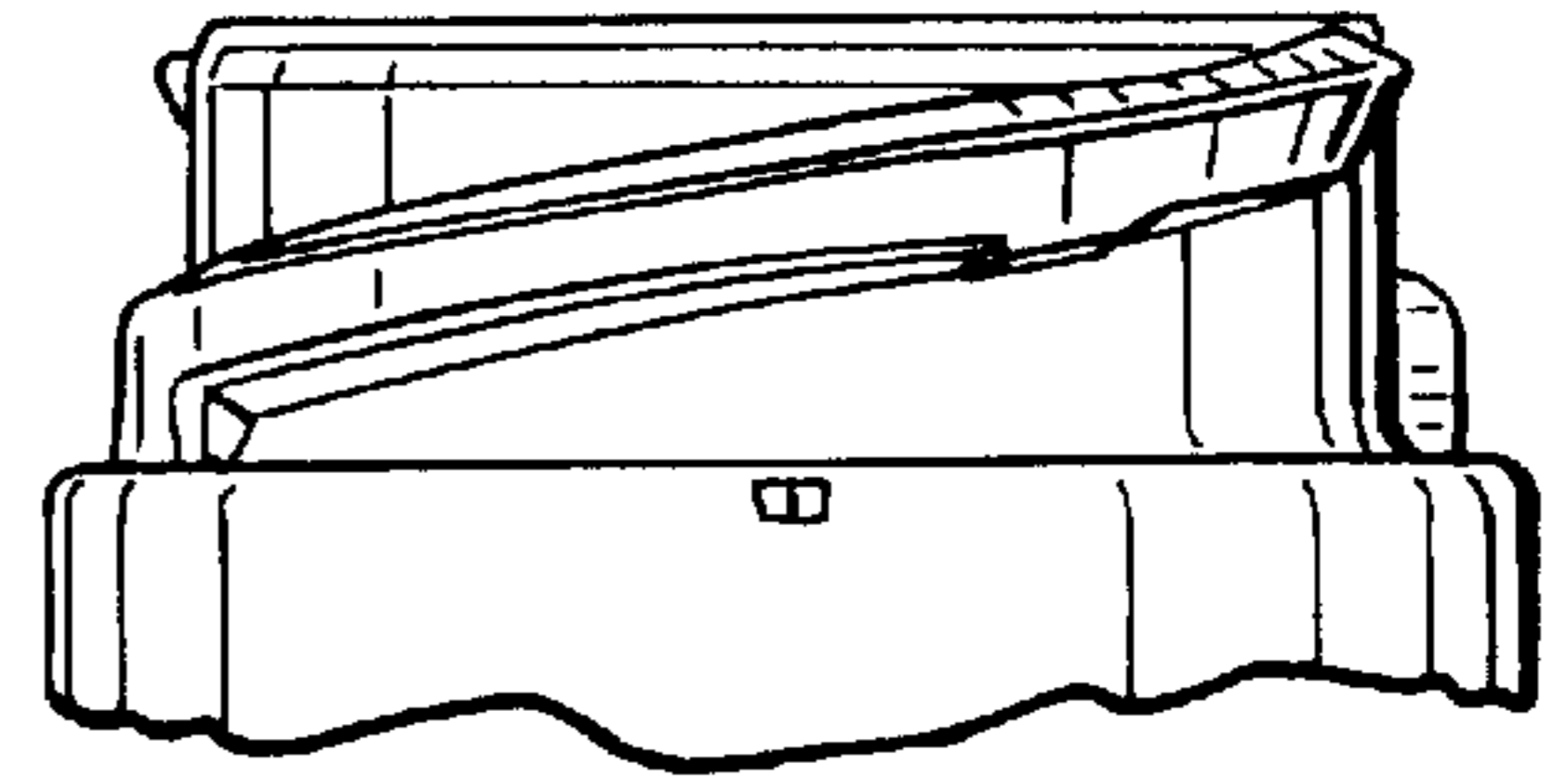


Fig. 3

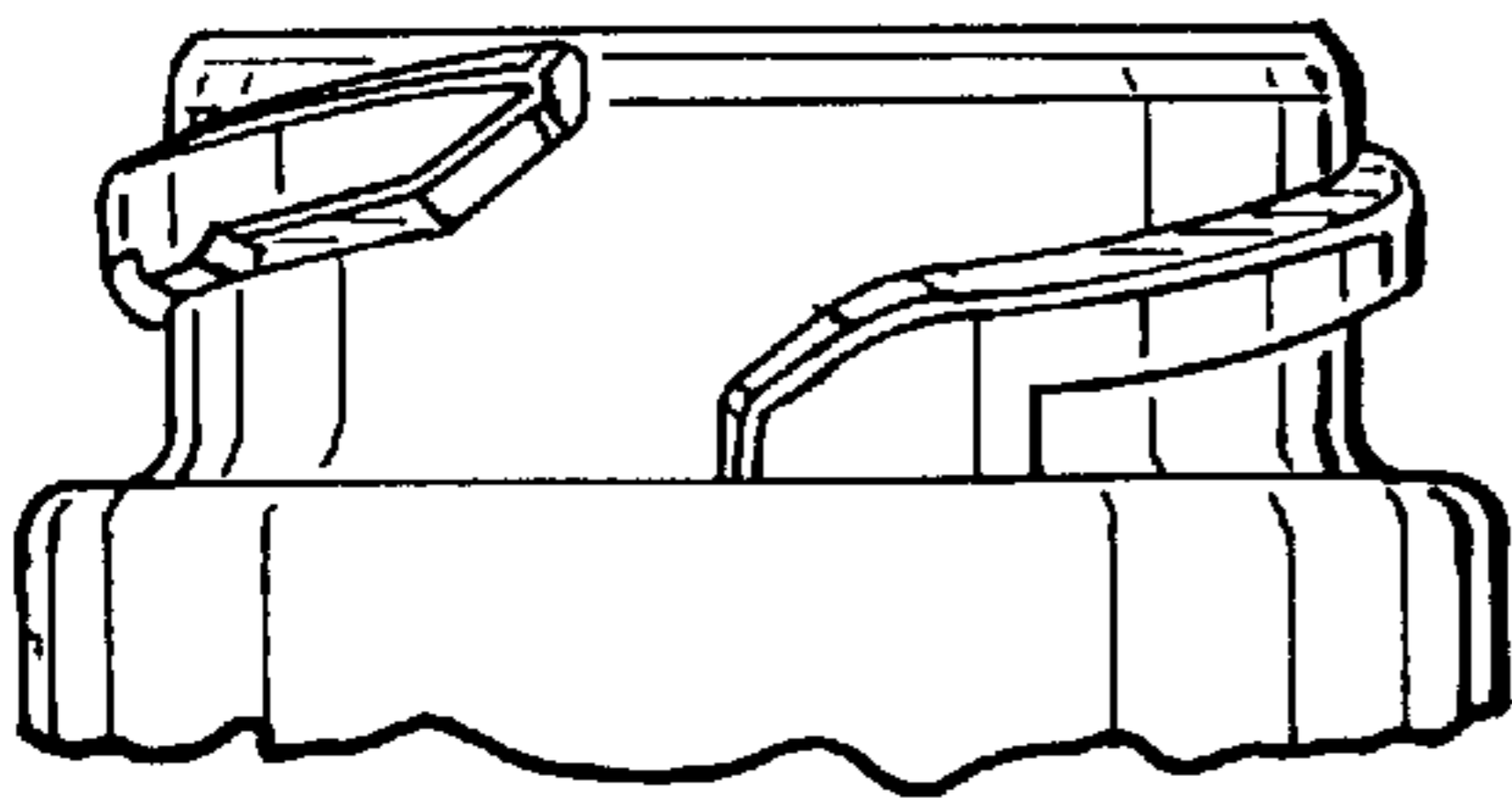


Fig. 4

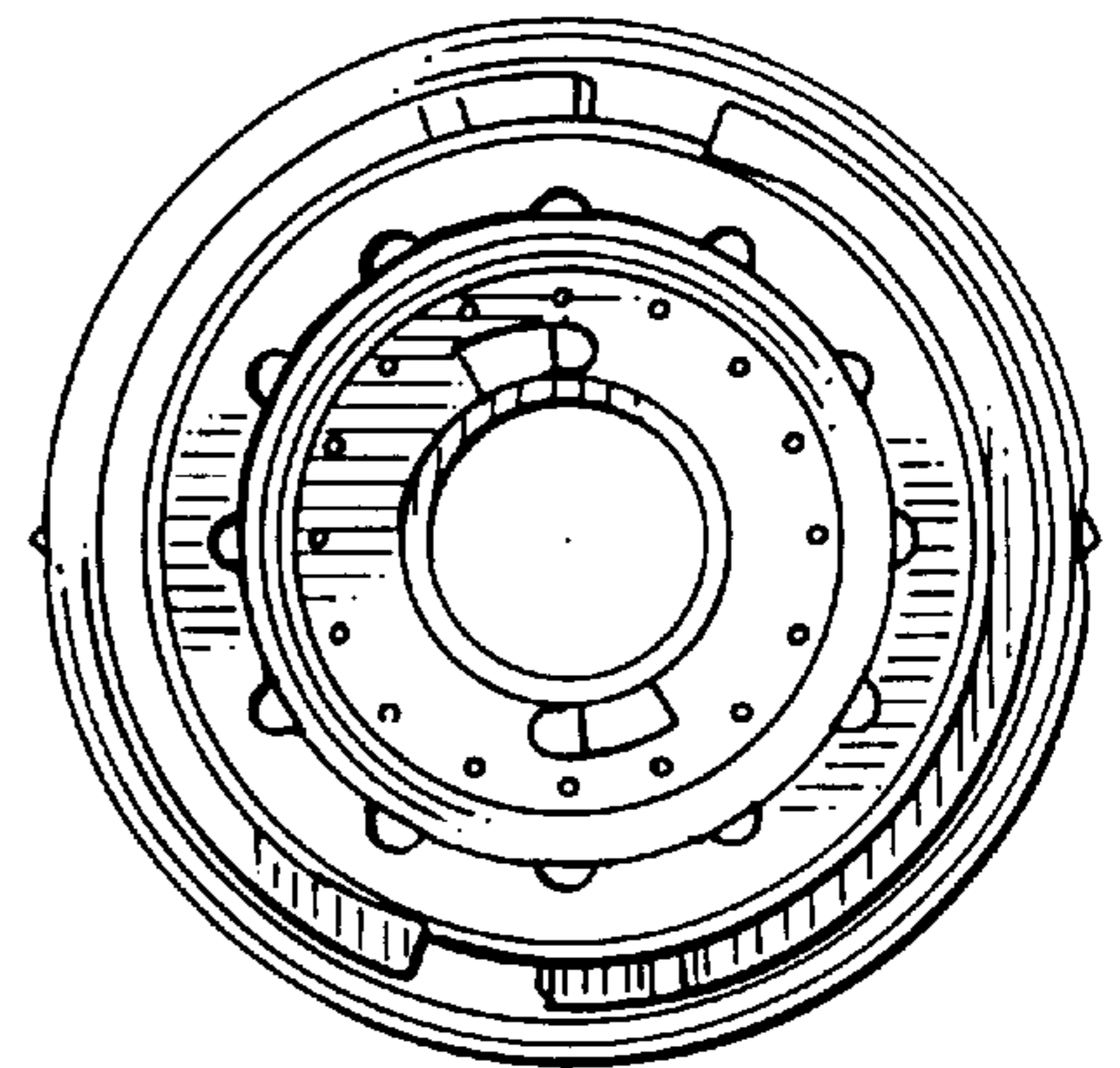


Fig. 5

