



US00D472297S

(12) **United States Design Patent**
Hashimoto

(10) **Patent No.:** **US D472,297 S**

(45) **Date of Patent:** **** Mar. 25, 2003**

(54) **GRIP FOR A FISHING ROD**

D456,875 S * 5/2002 Rajeff D22/142
D461,390 S * 8/2002 Livingston D8/303

(75) Inventor: **Hiroshi Hashimoto**, Kawachinagano (JP)

* cited by examiner

(73) Assignee: **Shimano, Inc.**, Osaka (JP)

Primary Examiner—Catherine R. Oliver
(74) *Attorney, Agent, or Firm*—Kolisch Hartwell, P.C.

(**) Term: **14 Years**

(57) **CLAIM**

(21) Appl. No.: **29/164,565**

The ornamental design for a grip for a fishing rod, as shown and described.

(22) Filed: **Jul. 25, 2002**

DESCRIPTION

(30) **Foreign Application Priority Data**

Jan. 28, 2002 (JP) 2002-001693

FIG. 1 is a front view of a grip for a fishing rod of the present invention;

(51) **LOC (7) Cl.** **22-05**

FIG. 2 is a top plan view of the grip shown in FIG. 1;

(52) **U.S. Cl.** **D22/142**

FIG. 3 is a bottom plan view of the grip shown in FIG. 1;

(58) **Field of Search** D22/142; 43/20, 43/22, 23; D8/303, 305; 74/551.8, 551.9

FIG. 4 is a right side view of the grip shown in FIG. 1;

FIG. 5 is a left side view of the grip shown in FIG. 1;

FIG. 6 is a cross-sectional view of the grip shown in FIG. 1, taken along line 6—6 of FIG. 4;

FIG. 7 is a perspective view of the grip shown in FIG. 1; and,

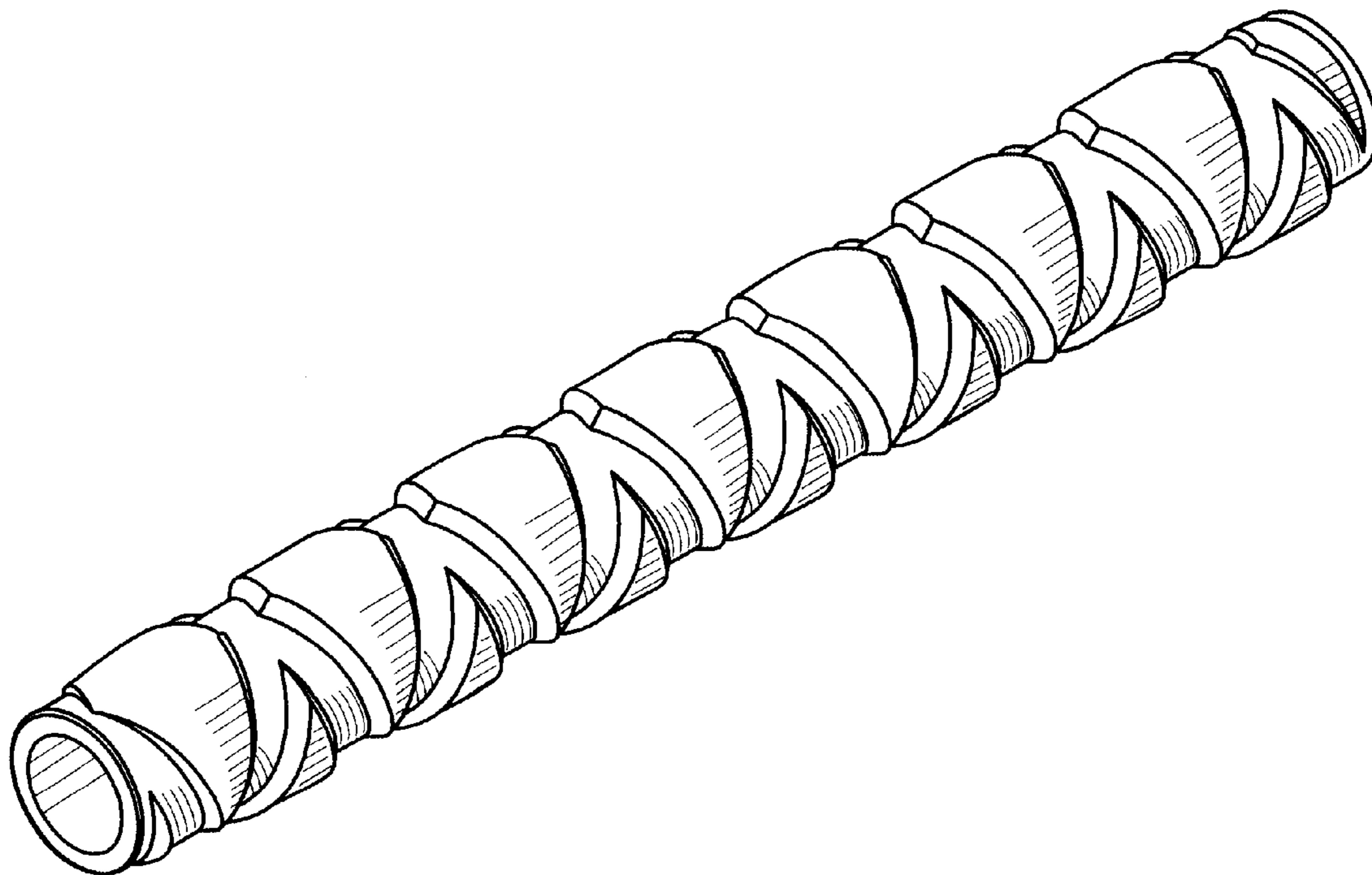
FIG. 8 is a front view of the grip shown in FIG. 1, shown installed on a fishing rod.

(56) **References Cited**

U.S. PATENT DOCUMENTS

1,534,674 A * 4/1925 Zass 43/22
D331,617 S * 12/1992 Onishi D22/142
D352,441 S * 11/1994 Oury et al. D8/303

1 Claim, 3 Drawing Sheets



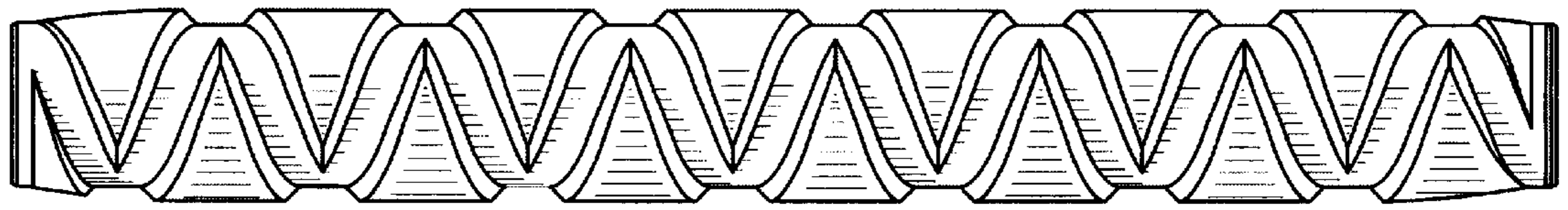


FIG. 1

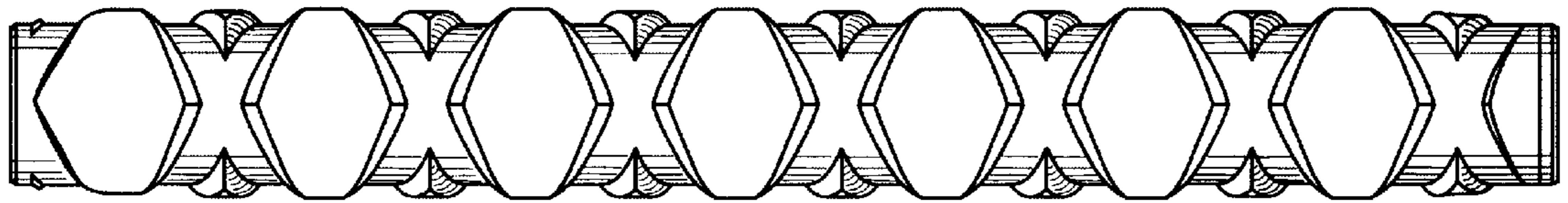


FIG. 2

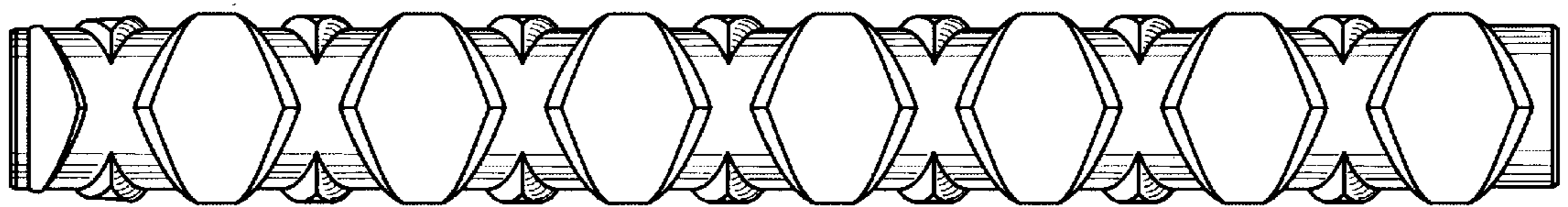


FIG. 3

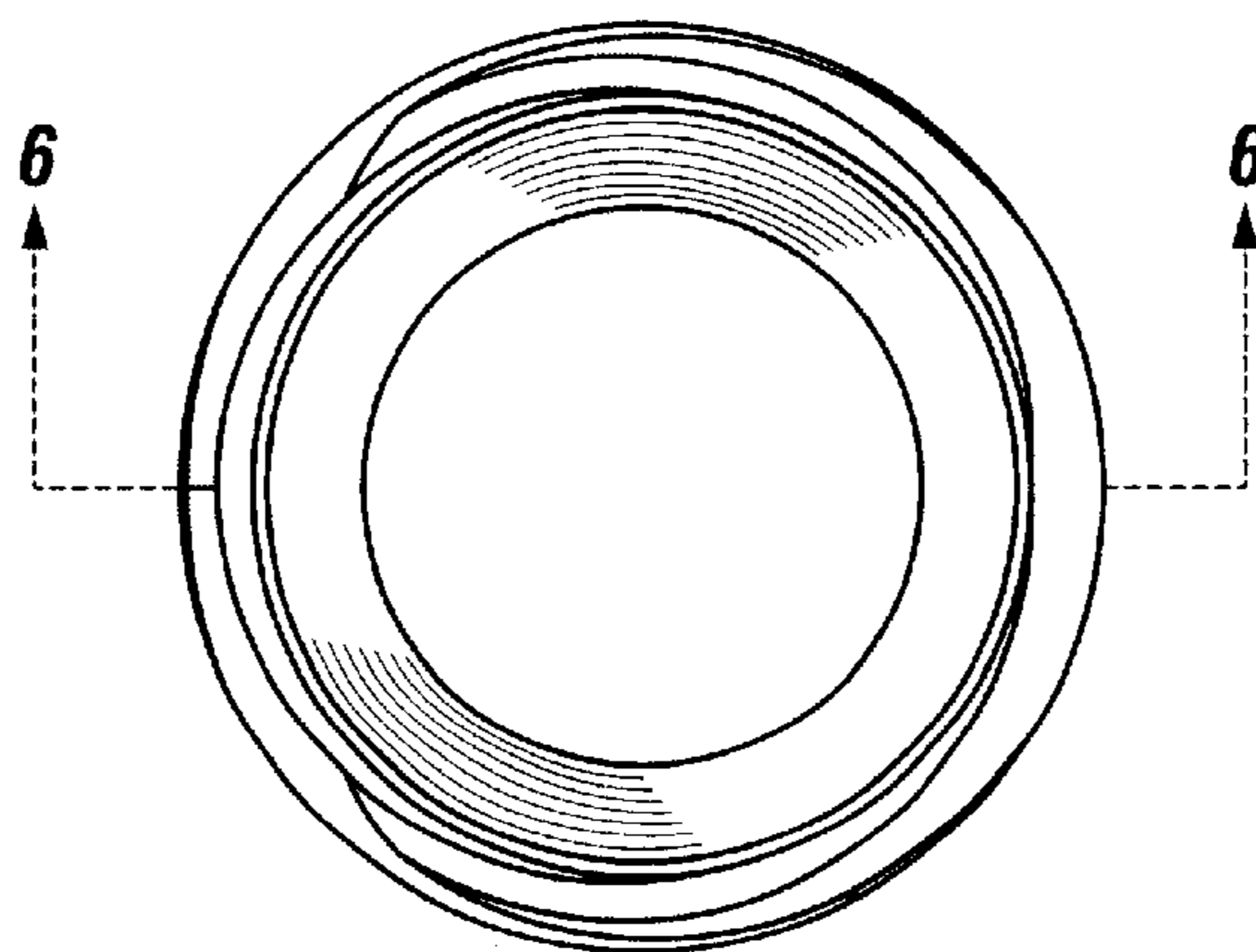


FIG. 4

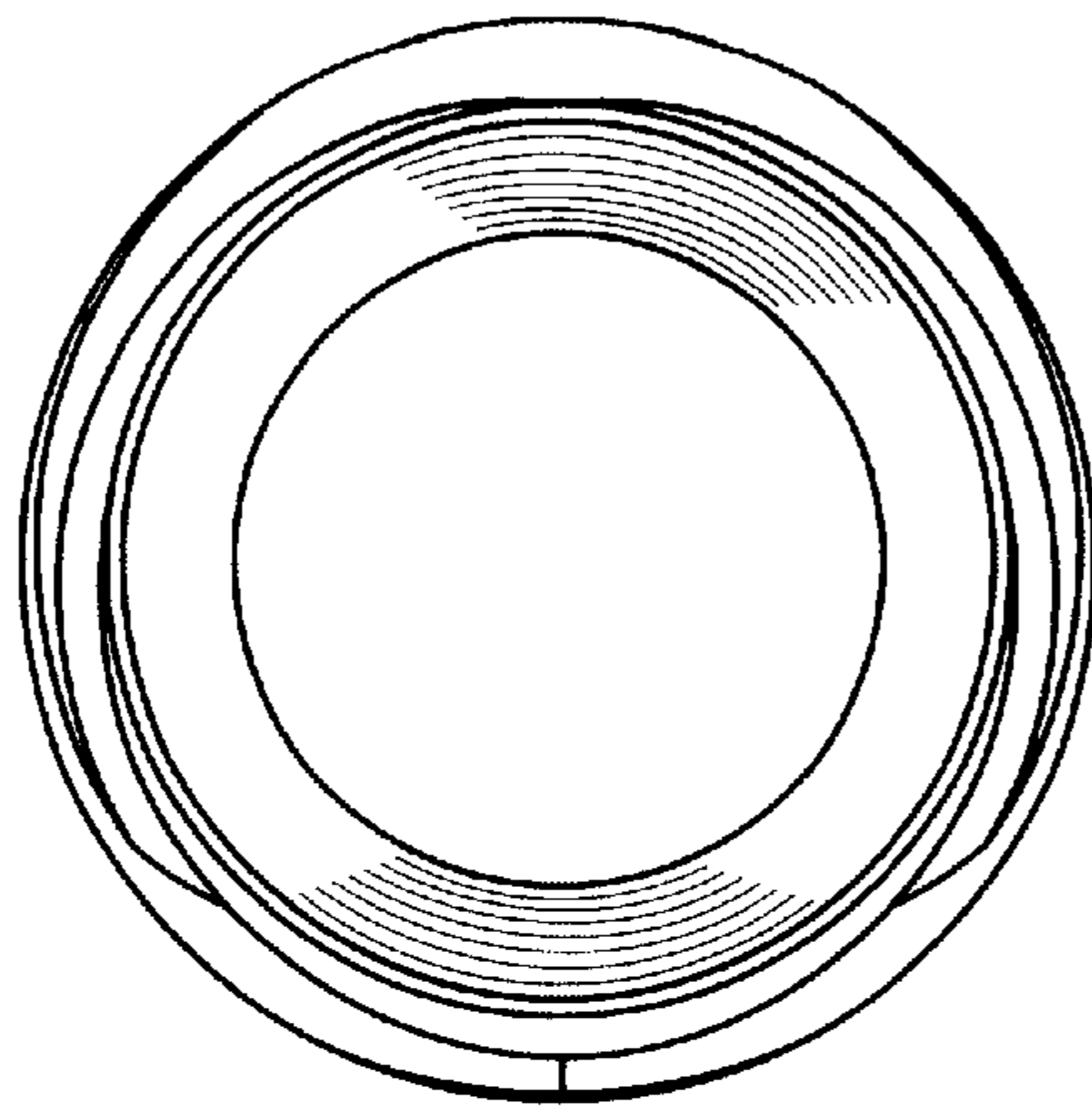


FIG. 5

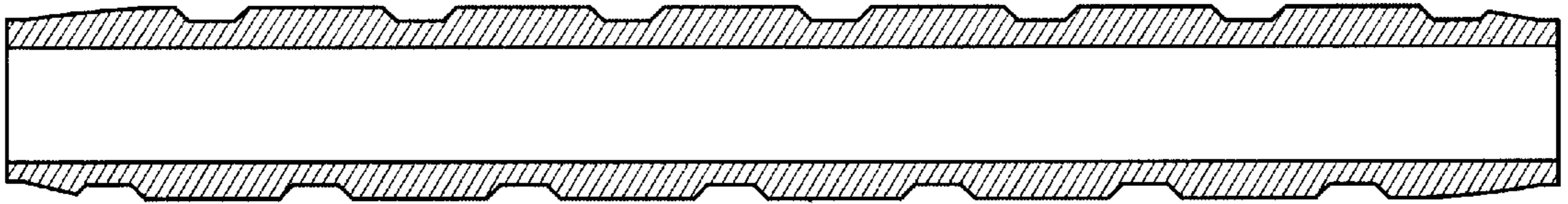


FIG. 6

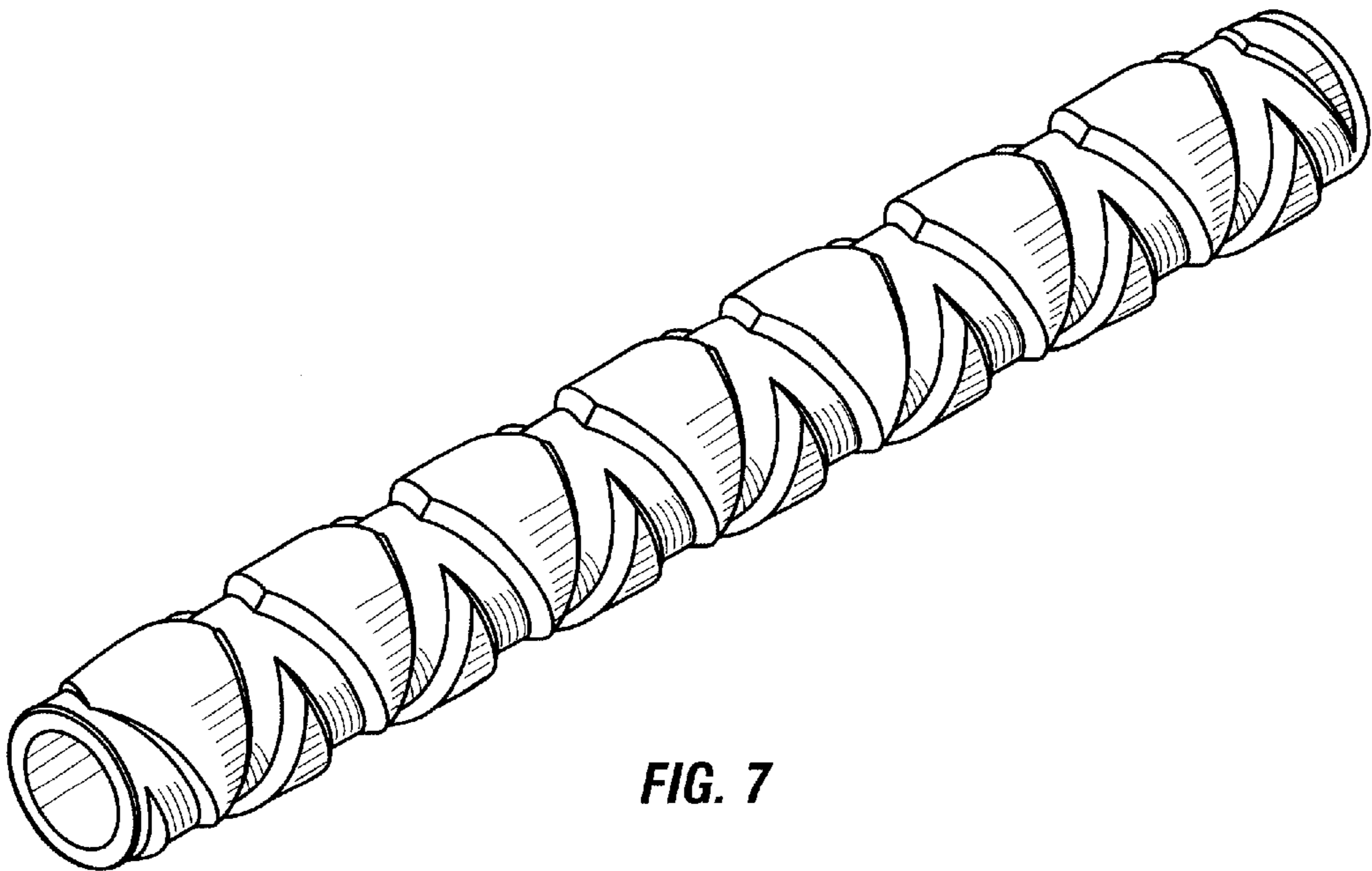


FIG. 7

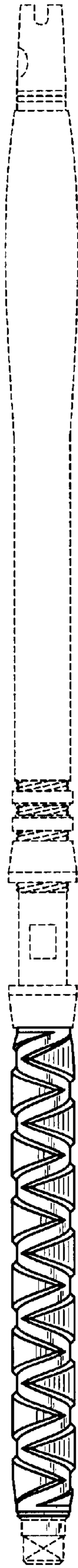


FIG. 8