



US00D472291S

(12) **United States Design Patent**
McLure et al.

(10) **Patent No.:** **US D472,291 S**

(45) **Date of Patent:** **** Mar. 25, 2003**

(54) **PAIR OF FIN RETAINERS**

(76) Inventors: **Paul E. McLure**, 1759 Missouri St.,
San Diego, CA (US) 92109; **Sasha M. Unruh**, 1759 Missouri St., San Diego,
CA (US) 92109

(**) Term: **14 Years**

(21) Appl. No.: **29/141,107**

(22) Filed: **Apr. 28, 2001**

(51) **LOC (7) Cl.** **21-01**

(52) **U.S. Cl.** **D21/806**

(58) **Field of Search** D21/806; 441/61,
441/62, 63, 64, 58; D2/916, 930, 978, 946,
918; 36/8.1, 11.5, 114

(56) **References Cited**

U.S. PATENT DOCUMENTS

4,250,584	A	*	2/1981	Korn	441/61
D327,933	S	*	7/1992	Evans	D21/860
D327,934	S	*	7/1992	Evans	D21/806
D327,935	S	*	7/1992	Evans	D21/806
5,183,424	A	*	2/1993	Field	441/64
5,417,599	A	*	5/1995	Evans	441/64
D363,814	S	*	11/1995	Tsujino	D2/916

* cited by examiner

Primary Examiner—Lucy Lieberman

(74) *Attorney, Agent, or Firm*—Richard D. Clarke

(57) **CLAIM**

The ornamental design for a pair of fin retainers, as shown and described.

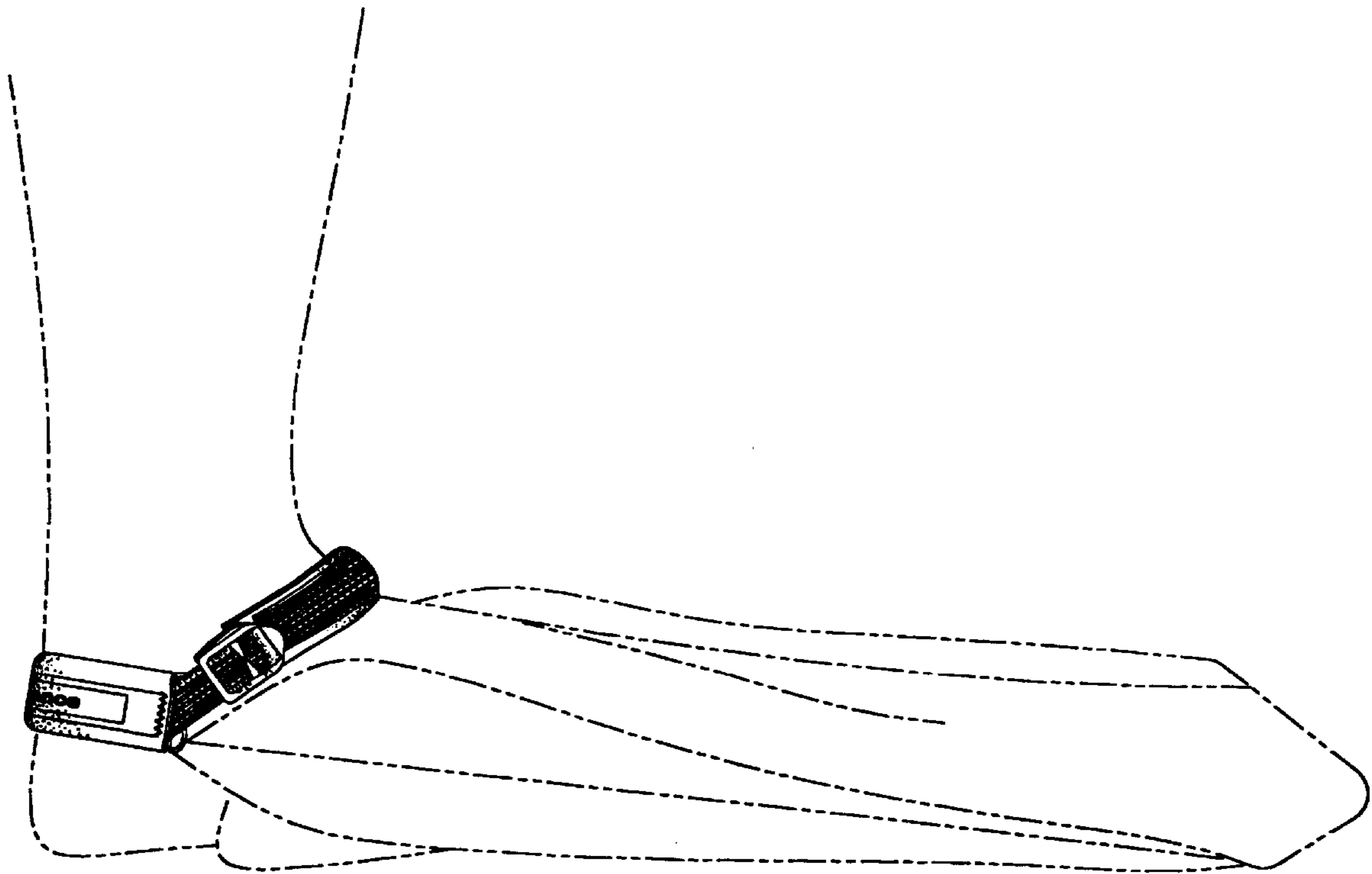
DESCRIPTION

FIG. 1 is a side view of a right fin retainer, in place on a fin strap, holding a swim fin securely to the foot of a user; FIG. 2 is a front elevation view of a left fin retainer; FIG. 3 is a front elevational view of a right fin retainer; FIG. 4 is a rear elevational view of a right fin retainer; FIG. 5 is a rear elevational view of a left fin retainer; FIG. 6 is a top view of a right fin retainer; FIG. 7 is a bottom view of a right fin retainer; FIG. 8 is a top view of a left fin retainer; and, FIG. 9 is a bottom view of a left fin retainer.

The broken line showing of a swim fin, user's foot and the lower portion of a users leg, on FIG. 1 is for illustrative purposes only and forms no part of the claimed design.

The broken lines shown on the pair of fin retainers represent stitching.

1 Claim, 6 Drawing Sheets



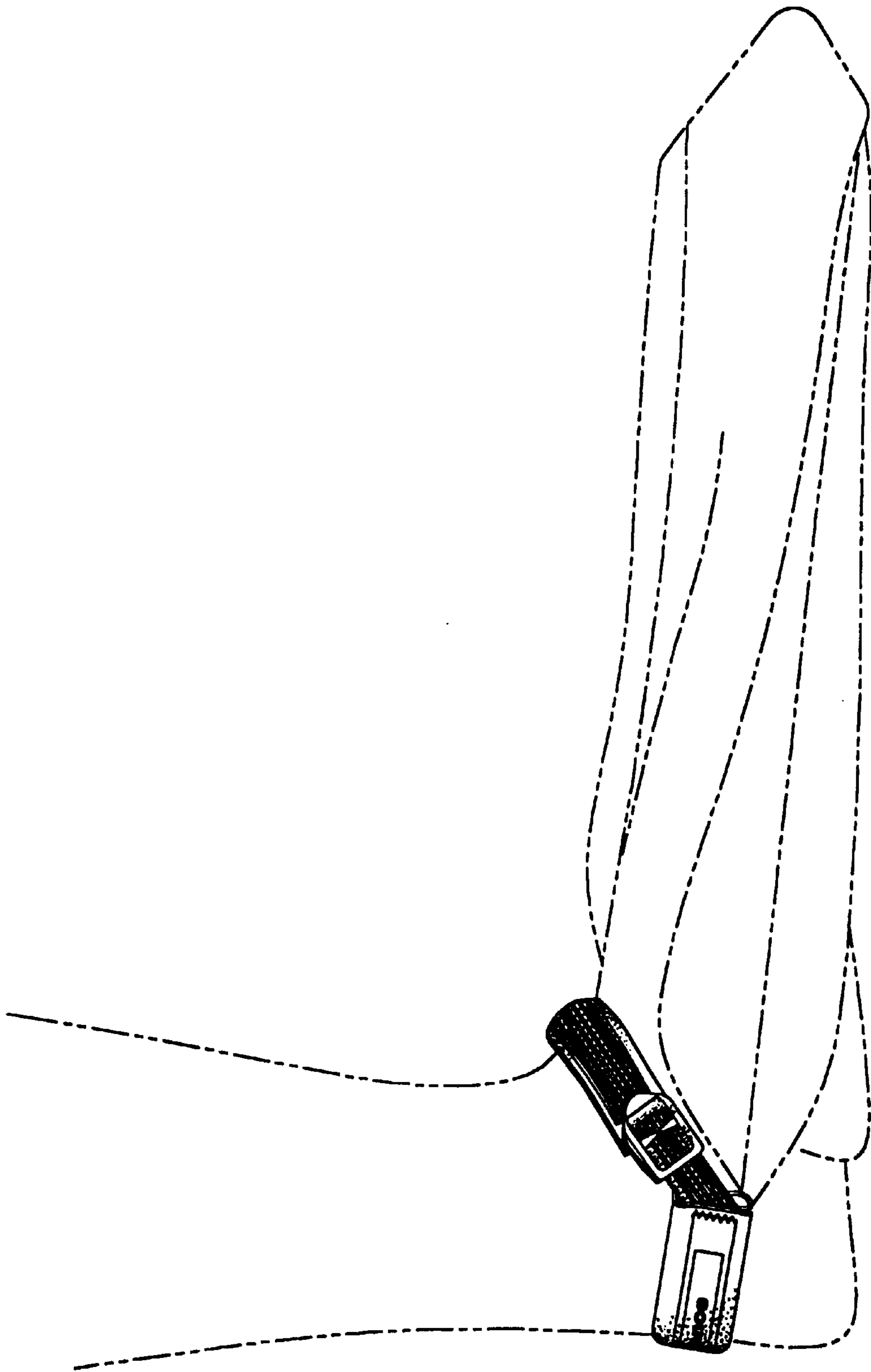


Fig. 1

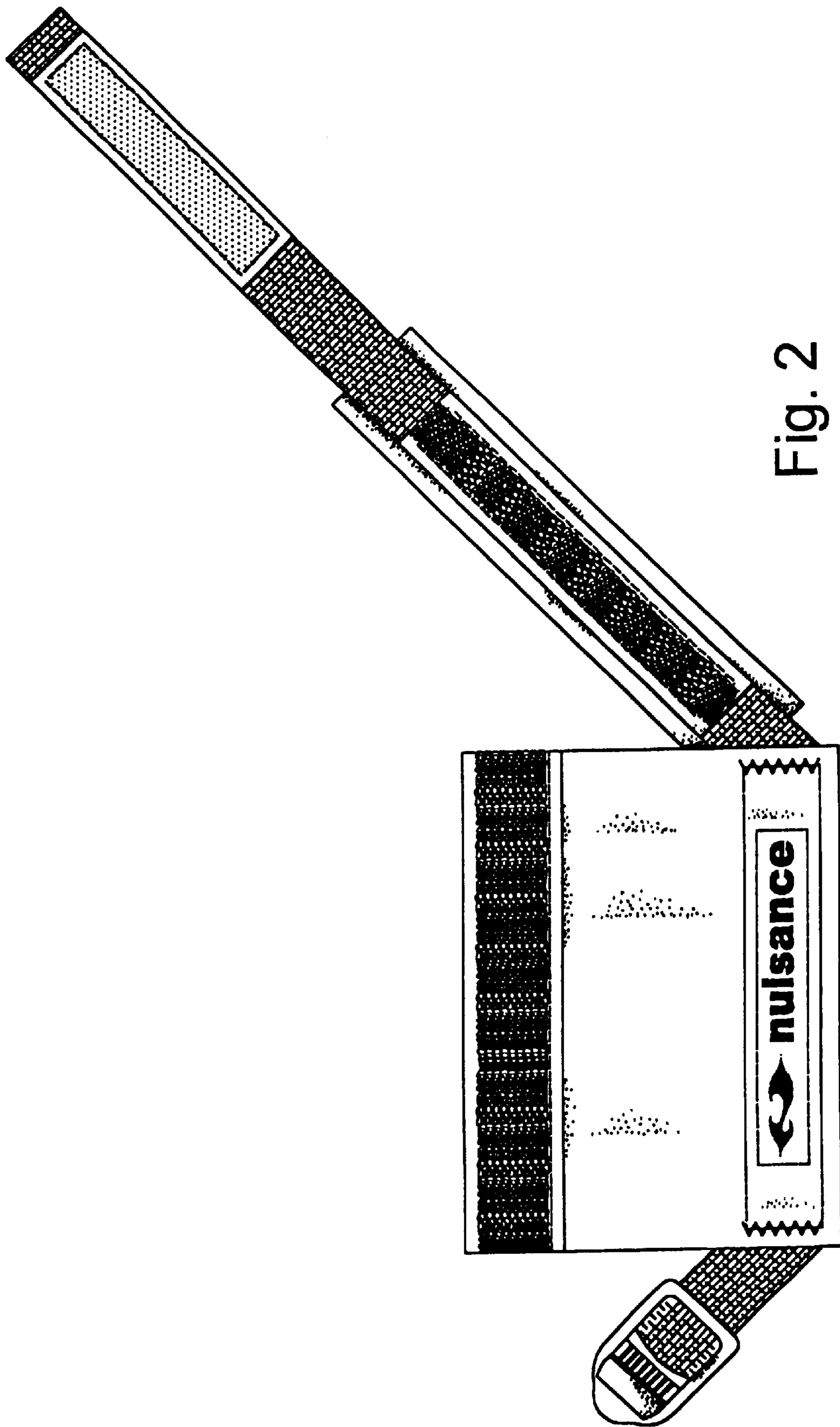


Fig. 2

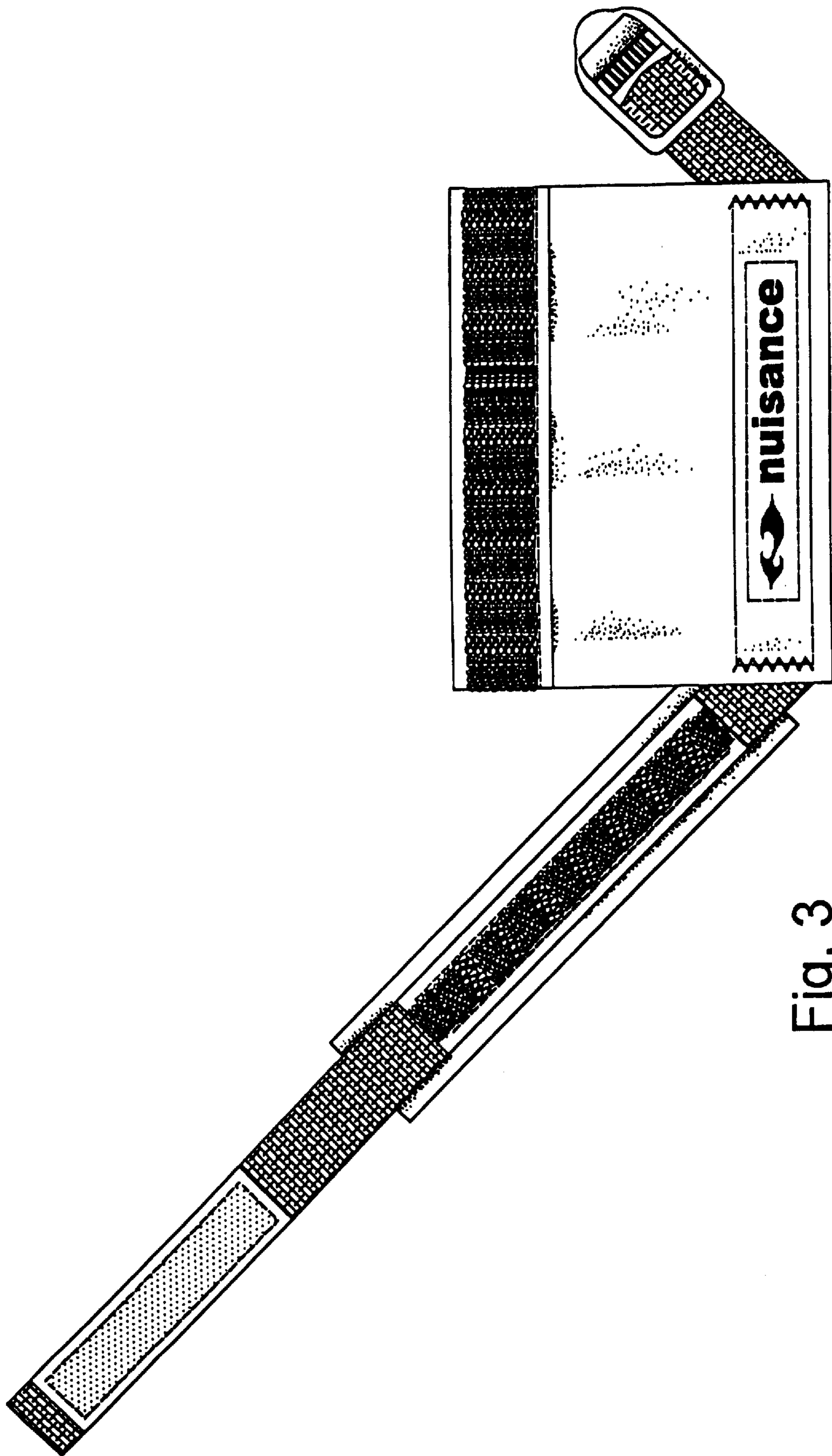


Fig. 3

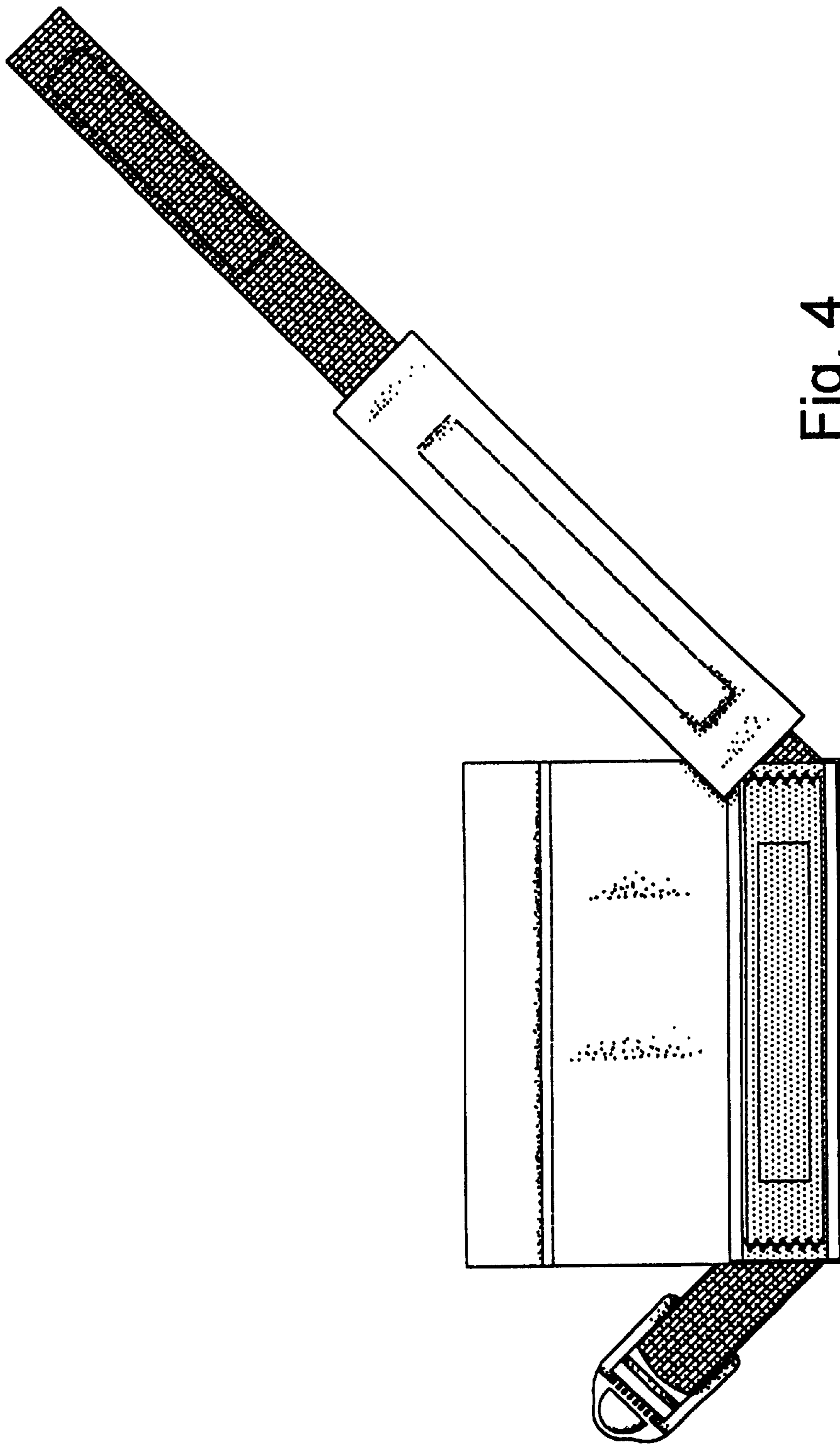


Fig. 4

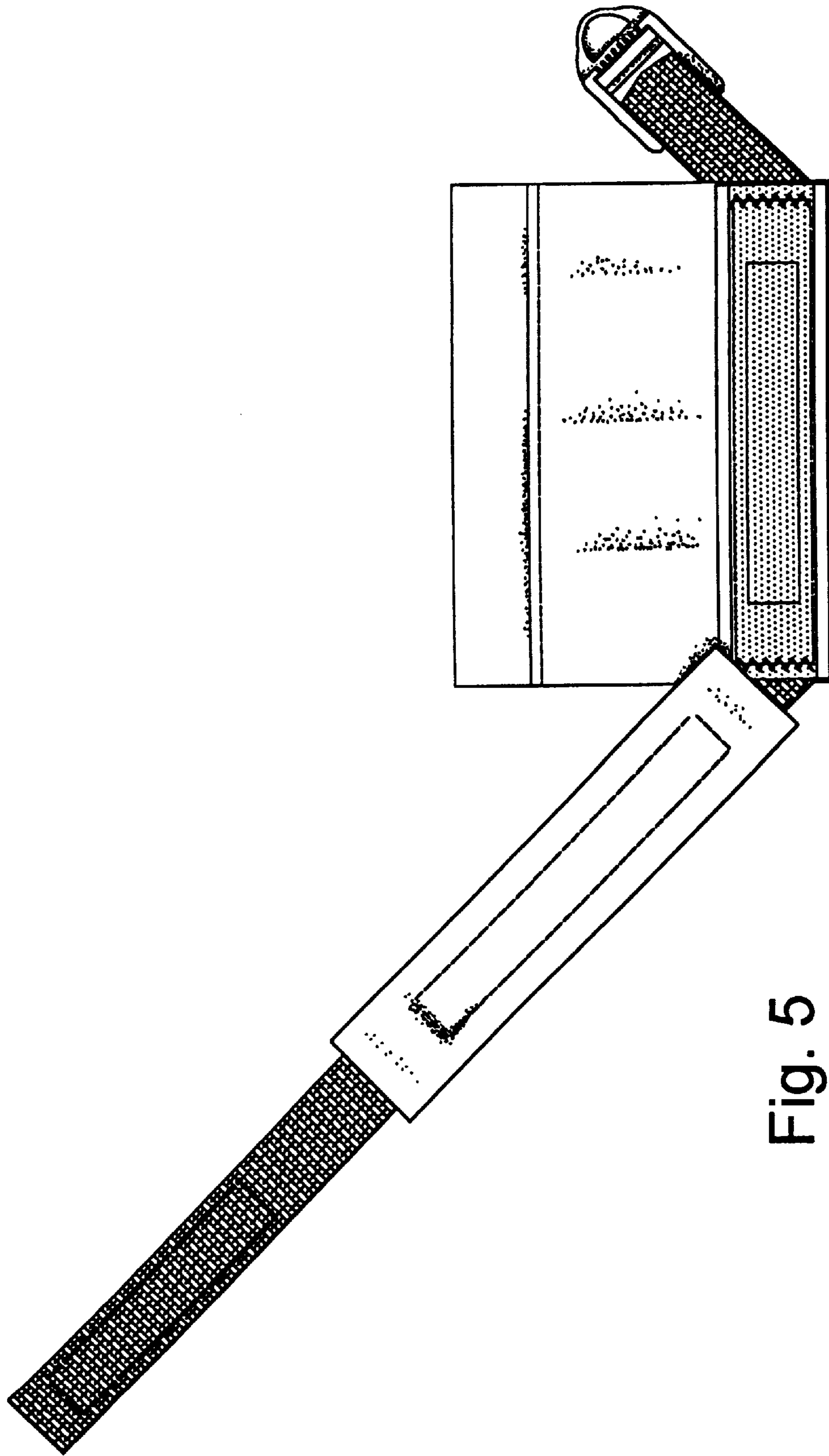


Fig. 5



Fig. 6



Fig. 7



Fig. 8



Fig. 9