



US00D472285S

(12) **United States Design Patent**  
**Kuo**

(10) **Patent No.:** **US D472,285 S**

(45) **Date of Patent:** **\*\* Mar. 25, 2003**

(54) **EXERCISE MACHINE**

(76) **Inventor:** **Johnson Kuo**, 11F-1, No. 342, Keelung Rd., Sec. 1, Taipei (TW)

(\*\*) **Term:** **14 Years**

(21) **Appl. No.:** **29/156,947**

(22) **Filed:** **Mar. 12, 2002**

(51) **LOC (7) Cl.** ..... **21-02**

(52) **U.S. Cl.** ..... **D21/676; D21/673**

(58) **Field of Search** ..... D21/662, 673,  
D21/674, 675, 676; 482/121, 123, 129,  
130, 133, 134

(56) **References Cited**

**U.S. PATENT DOCUMENTS**

4,834,396	A	*	5/1989	Schnell	.....	482/137
D349,140	S	*	7/1994	Rockwell	.....	D21/674
5,338,277	A	*	8/1994	Yang	.....	482/130
5,616,111	A	*	4/1997	Randolph	.....	482/123
5,624,361	A	*	4/1997	Lai	.....	482/130
D384,117	S	*	9/1997	Piaget et al.	.....	D21/676

D393,891 S \* 4/1998 Van Der Hoeven et al. .... D21/676

5,833,590 A \* 11/1998 Chiu et al. .... 482/112

D438,578 S \* 3/2001 Kuo ..... D21/676

\* cited by examiner

*Primary Examiner*—Philip S. Hyder

(74) *Attorney, Agent, or Firm*—Browdy and Neimark, P.L.L.C.

(57) **CLAIM**

The ornamental design for an exercise machine, as shown.

**DESCRIPTION**

FIG. 1 shows a perspective view of the present design.

FIG. 2 shows a right side elevational view of the present design.

FIG. 3 shows a top plan view of the present design.

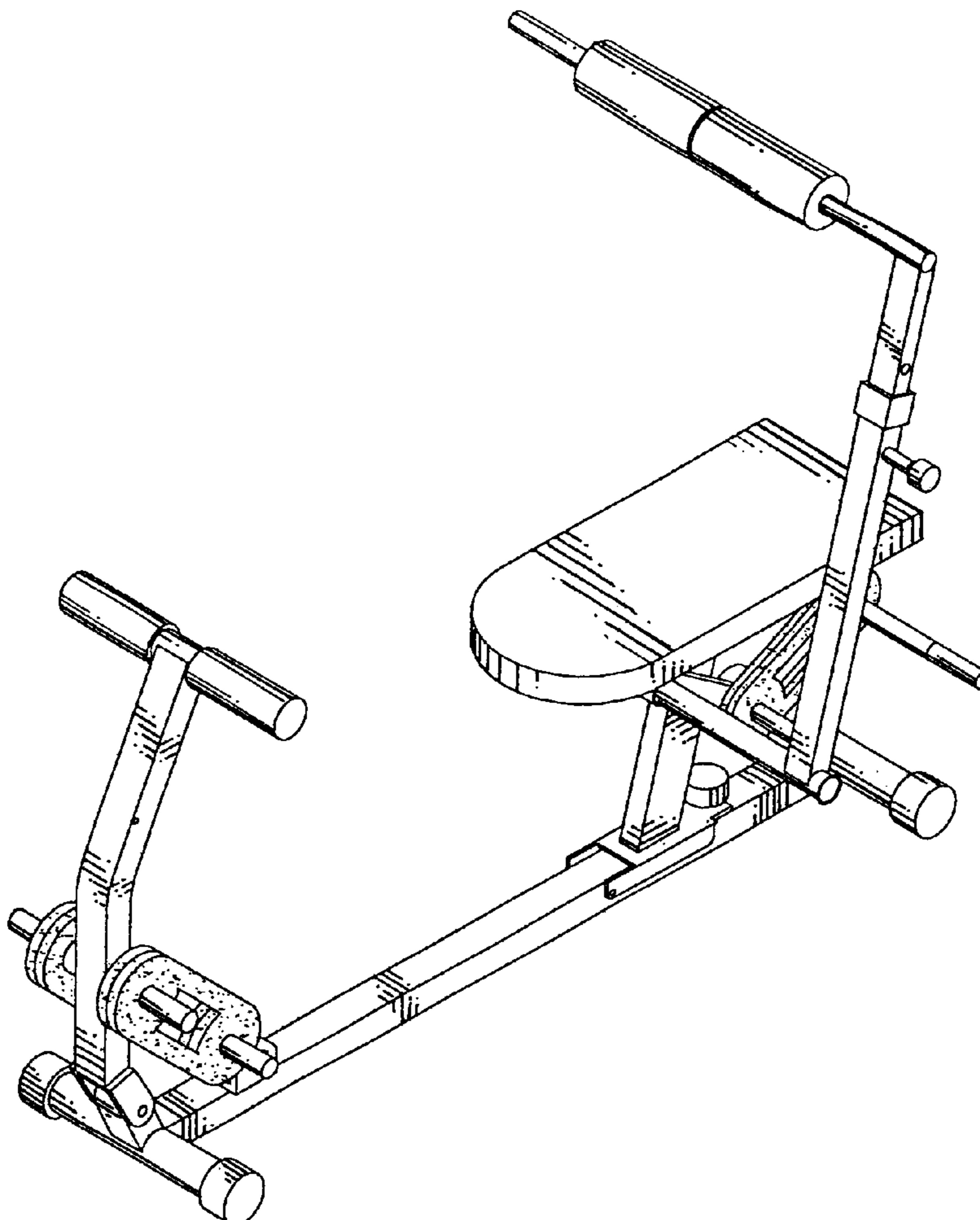
FIG. 4 shows a front elevational view of the present design.

FIG. 5 shows a bottom plan view of the present design.

FIG. 6 shows a left side elevational view of the present design; and,

FIG. 7 shows a rear elevational view of the present design.

**1 Claim, 3 Drawing Sheets**



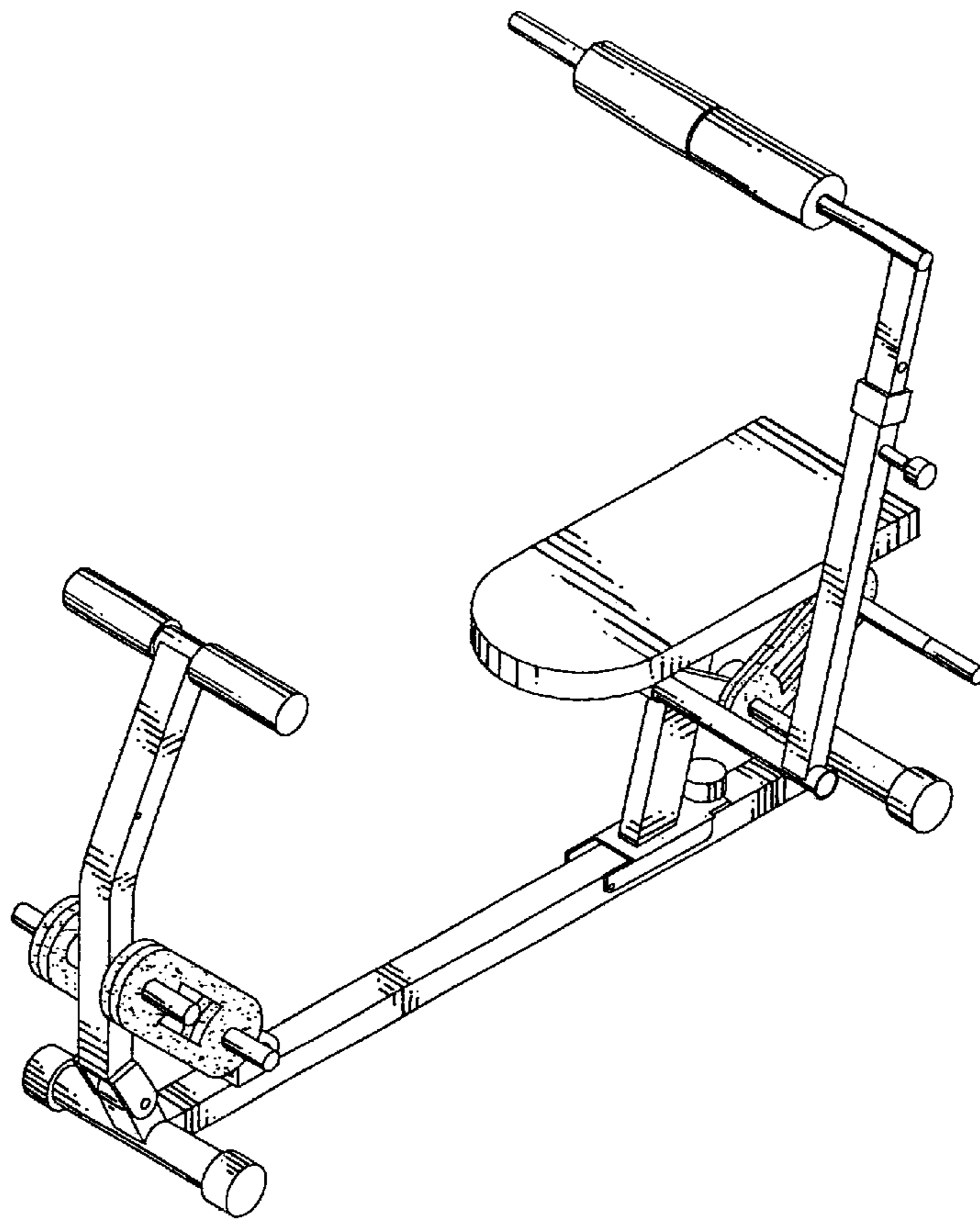


FIG. 1

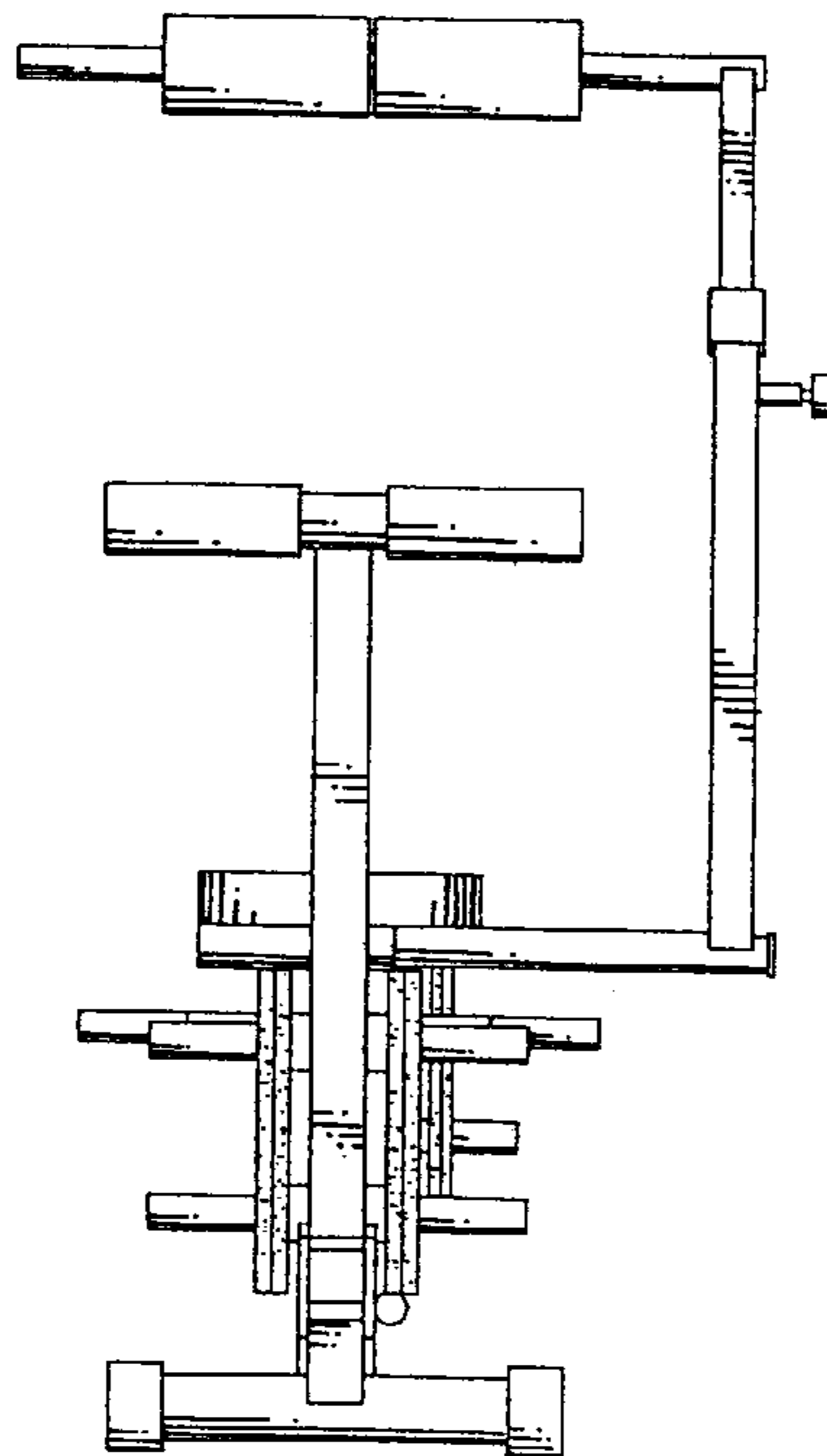


FIG. 2

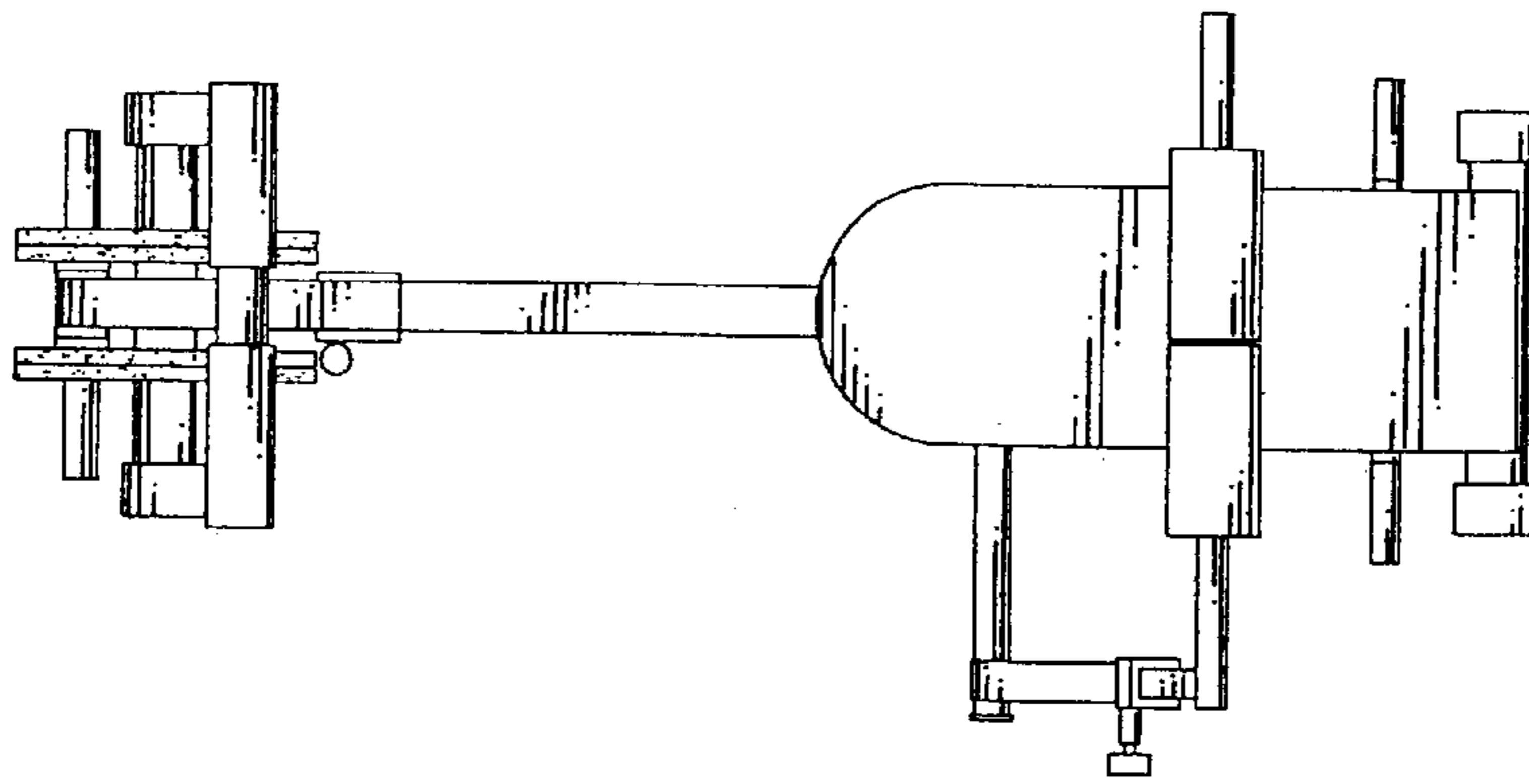


FIG. 3

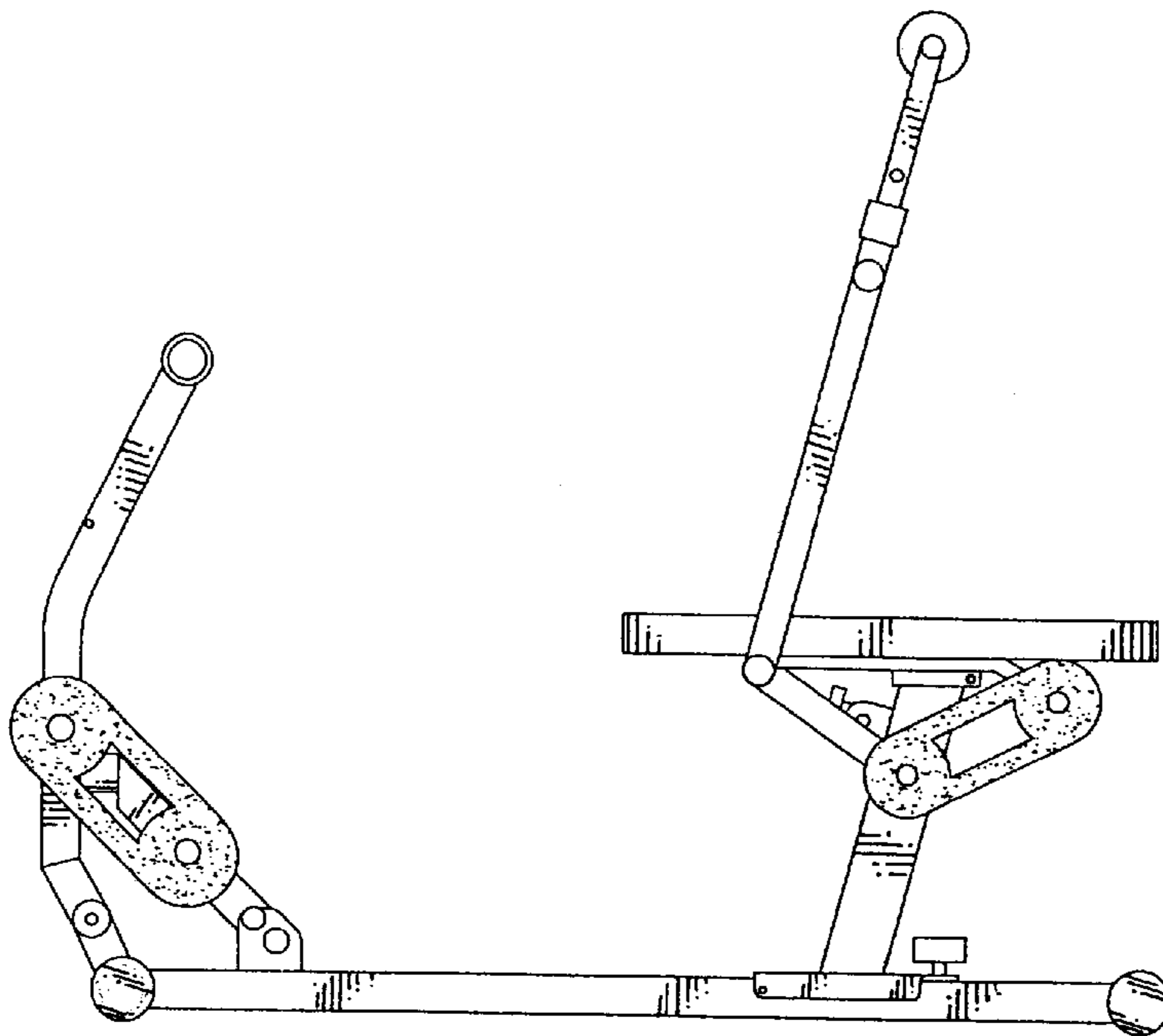


FIG. 4

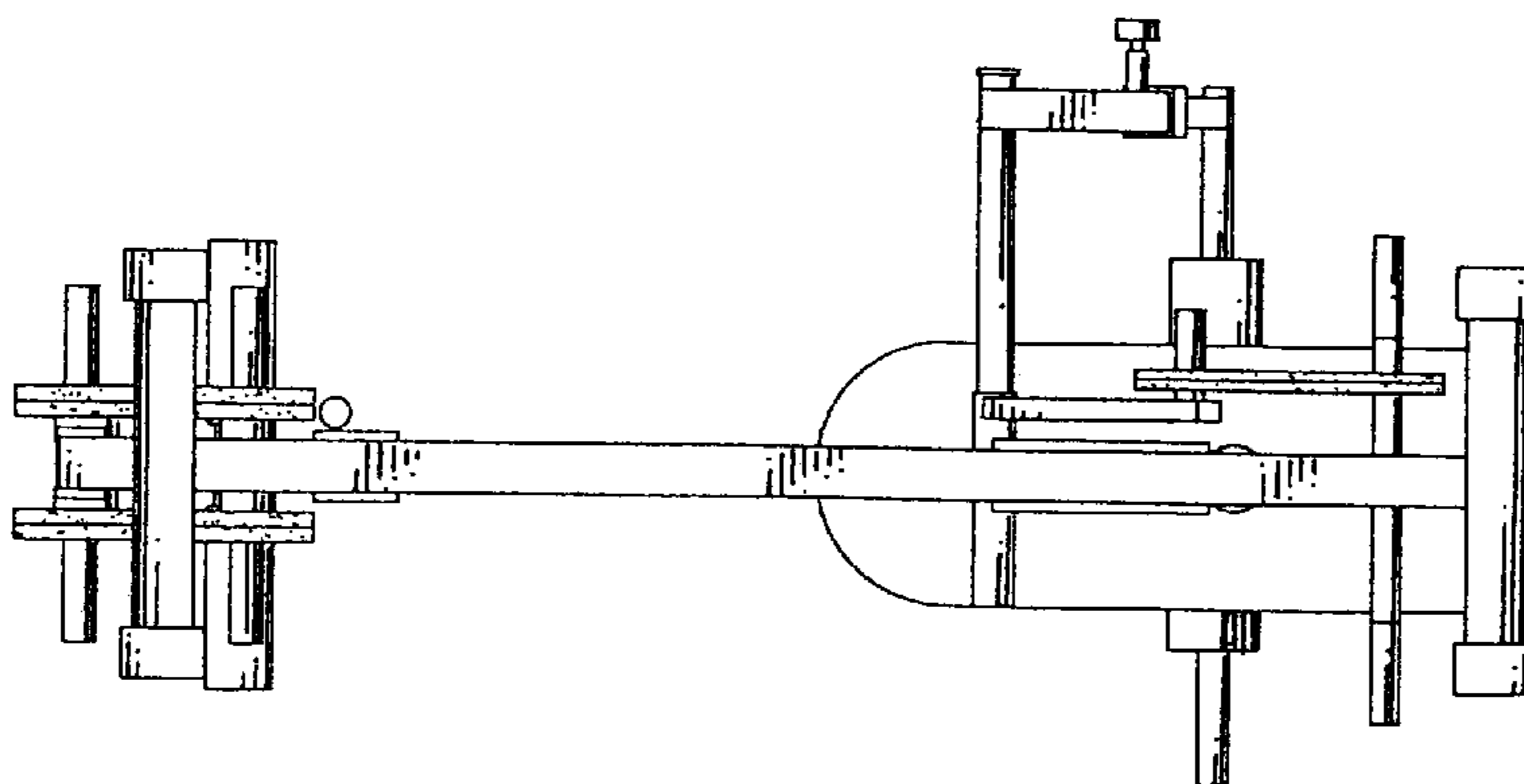


FIG. 5

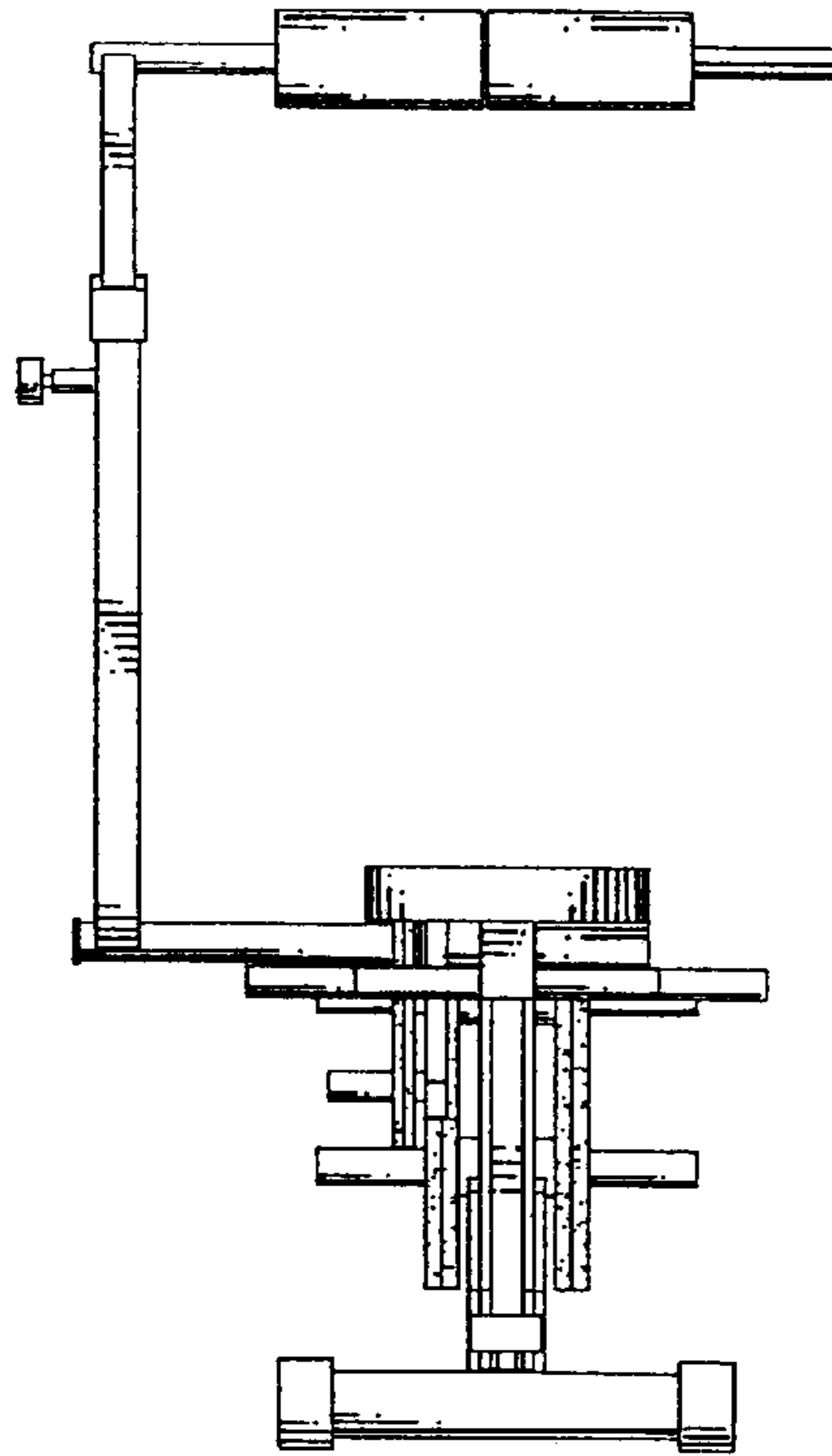


FIG. 6

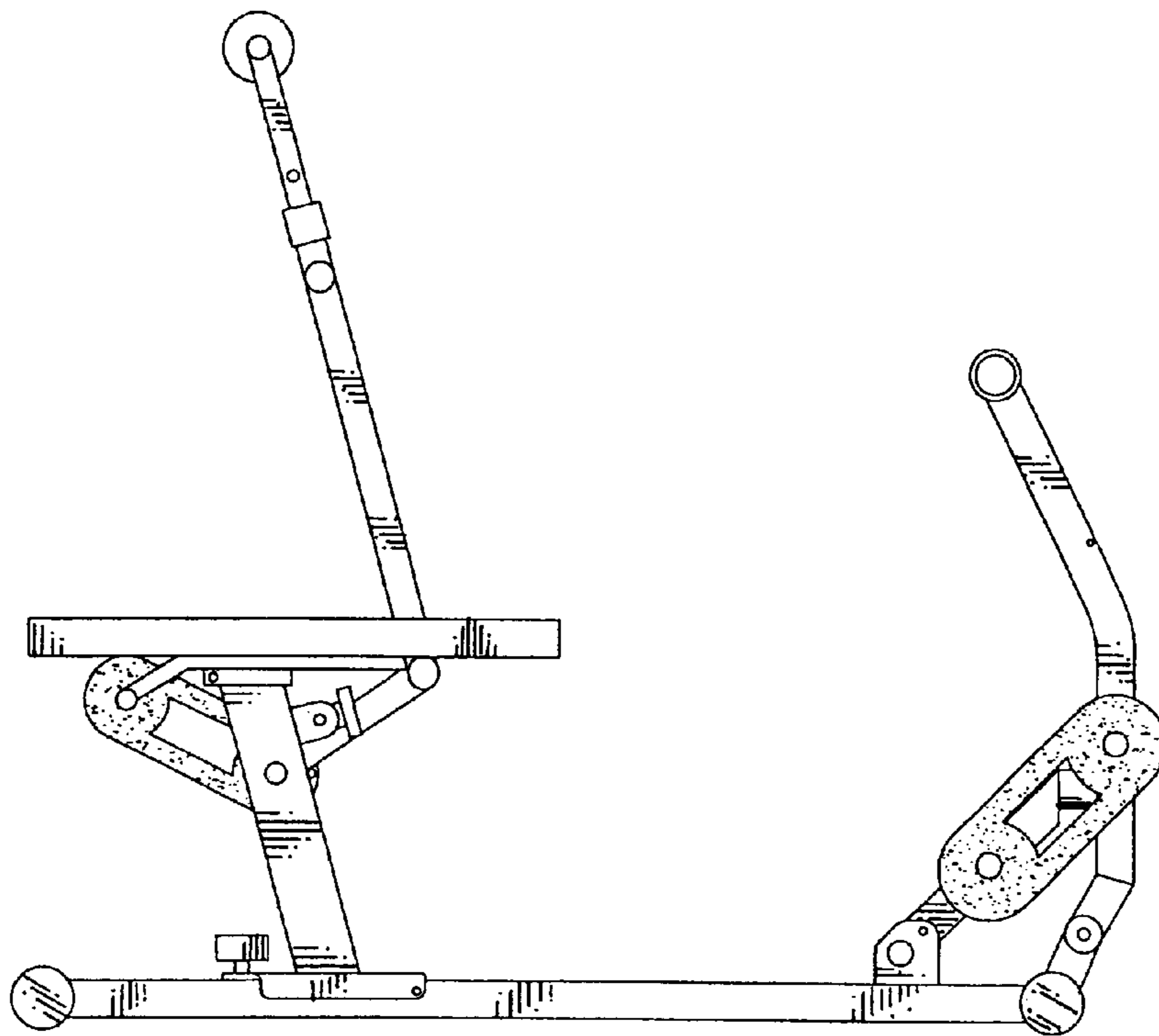


FIG. 7