



US00D472280S

(12) **United States Design Patent**
Jenkins

(10) **Patent No.:** **US D472,280 S**

(45) **Date of Patent:** **** Mar. 25, 2003**

(54) **STARTING APPARATUS FOR DIRECT DRIVE GO-CART**

(76) **Inventor:** **Henry H. Jenkins**, 602 Parsons Dr., Medford, OR (US) 97501

(**) **Term:** **14 Years**

(21) **Appl. No.:** **29/151,055**

(22) **Filed:** **Oct. 31, 2001**

(51) **LOC (7) Cl.** **21-01**

(52) **U.S. Cl.** **D21/419; D21/424; D12/400; D12/86; D12/87**

(58) **Field of Search** **D21/419-435, D21/548-551, 561, 564; D12/86, 87-88, 400; 446/95, 429, 465, 491; 280/281.1, 775; 180/271; 123/185.3**

(56) **References Cited**

U.S. PATENT DOCUMENTS

4,682,668 A * 7/1987 Salmon et al. 180/312
4,896,899 A * 1/1990 Lawrence 280/775

D408,869 S * 4/1999 Patmont D21/424
D412,138 S * 7/1999 Triarsi et al. D12/88
5,919,072 A * 7/1999 Pohlman 446/95
6,244,233 B1 * 6/2001 Tryon et al. 123/185.3
6,349,786 B1 * 2/2002 Gift 180/271

* cited by examiner

Primary Examiner—Raphael Barkai

(74) *Attorney, Agent, or Firm*—Woodling, Krost & Rust

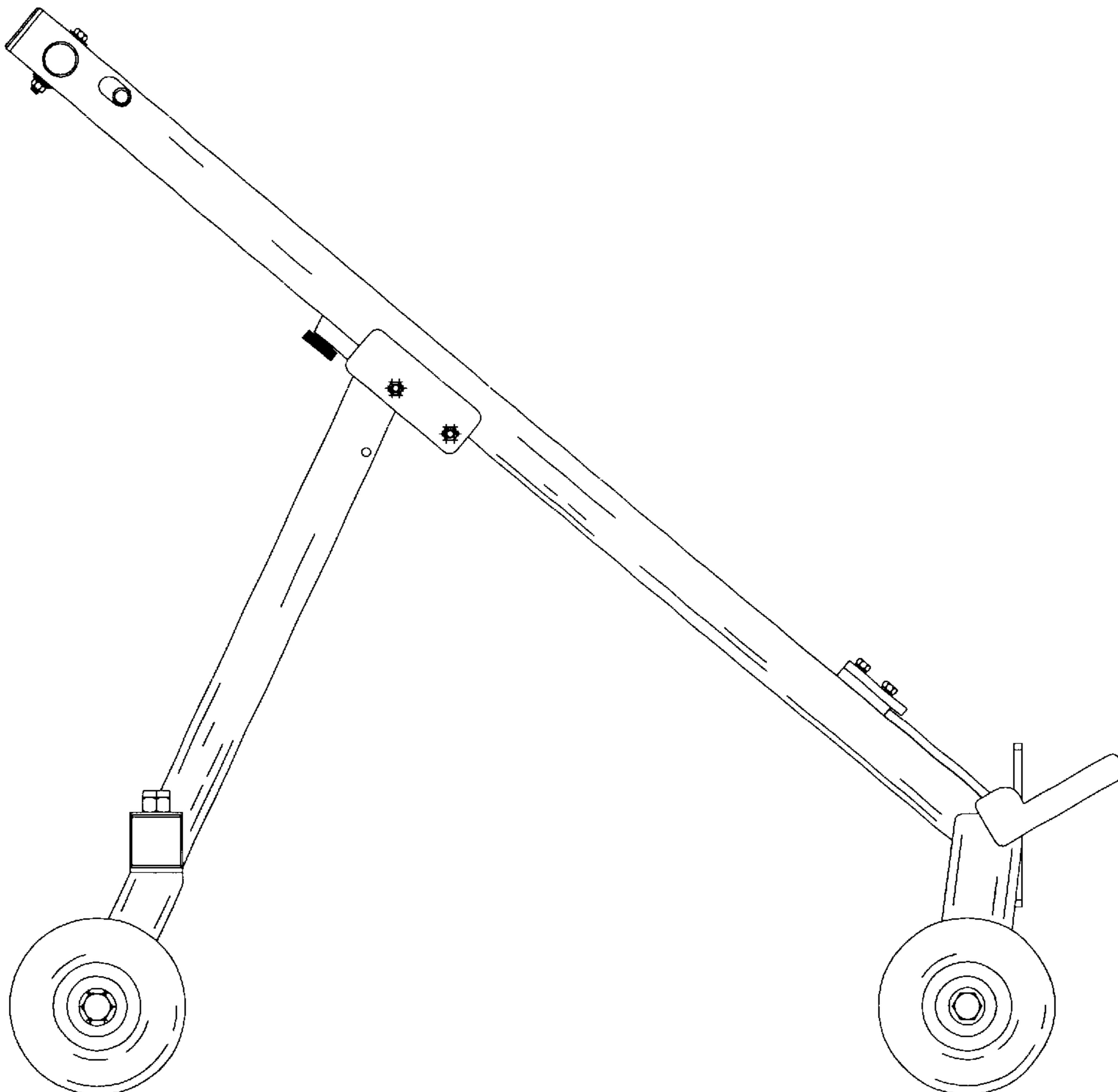
(57) **CLAIM**

The ornamental design for a starting apparatus for direct drive go-cart, substantially as shown and described.

DESCRIPTION

FIG. 1 is a front elevational view of my design; FIG. 2 is a right elevational view of my design; FIG. 3 is a rear elevational view of my design; FIG. 4 is a left elevational view of my design; FIG. 5 is a top view of my design; and, FIG. 6 is a bottom view of my design.

1 Claim, 6 Drawing Sheets



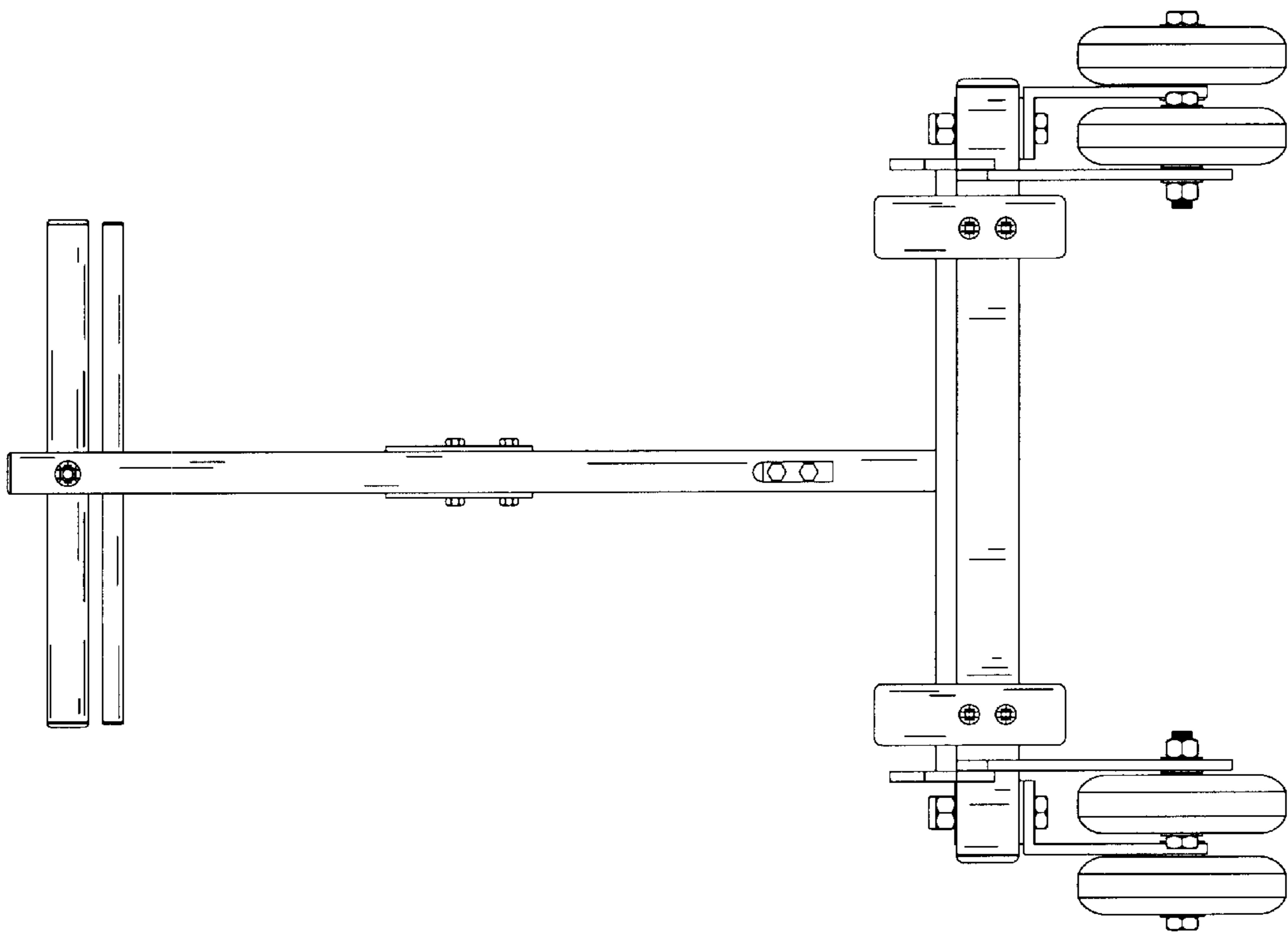


FIG. 1

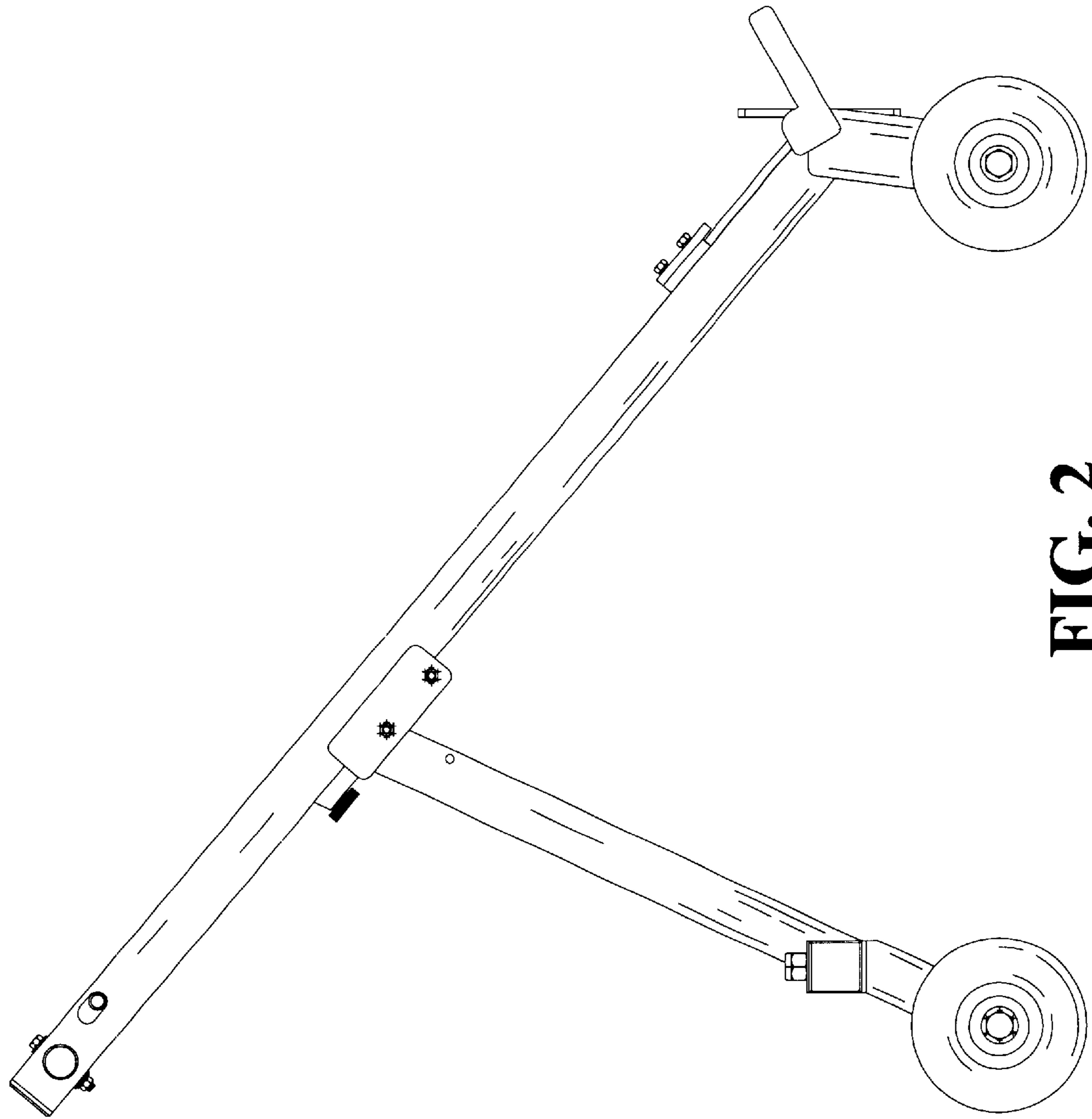


FIG. 2

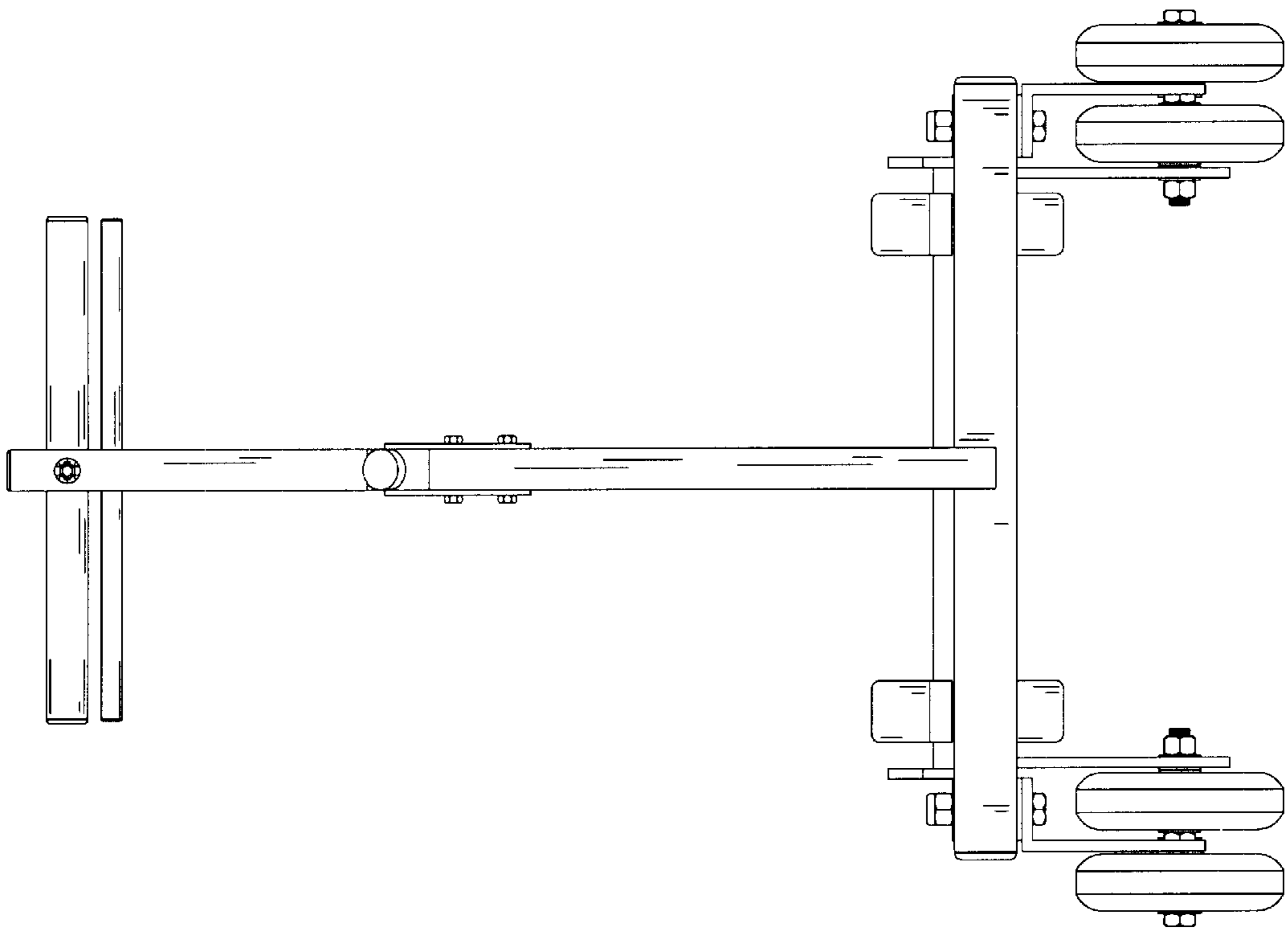


FIG. 3

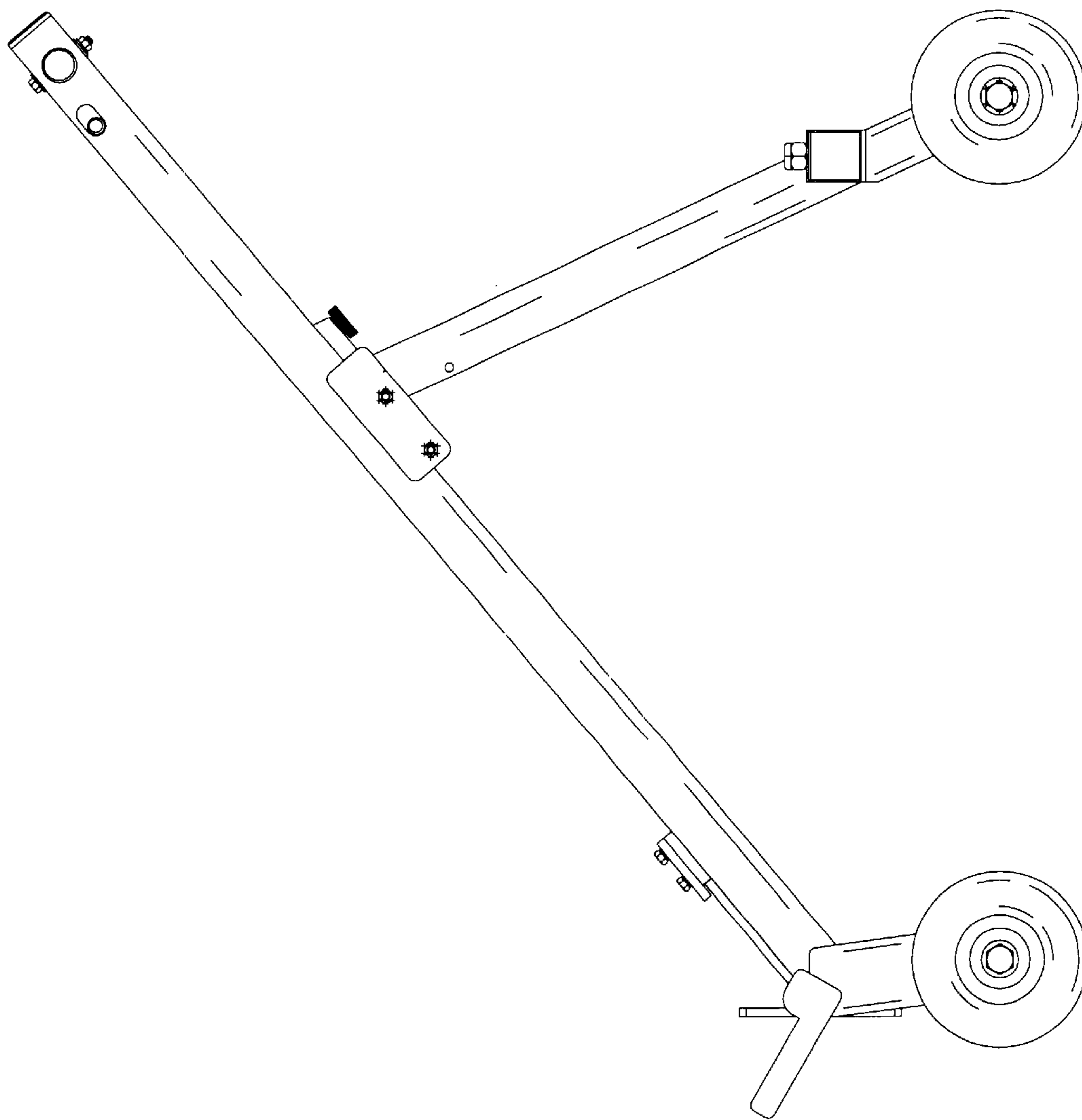


FIG. 4

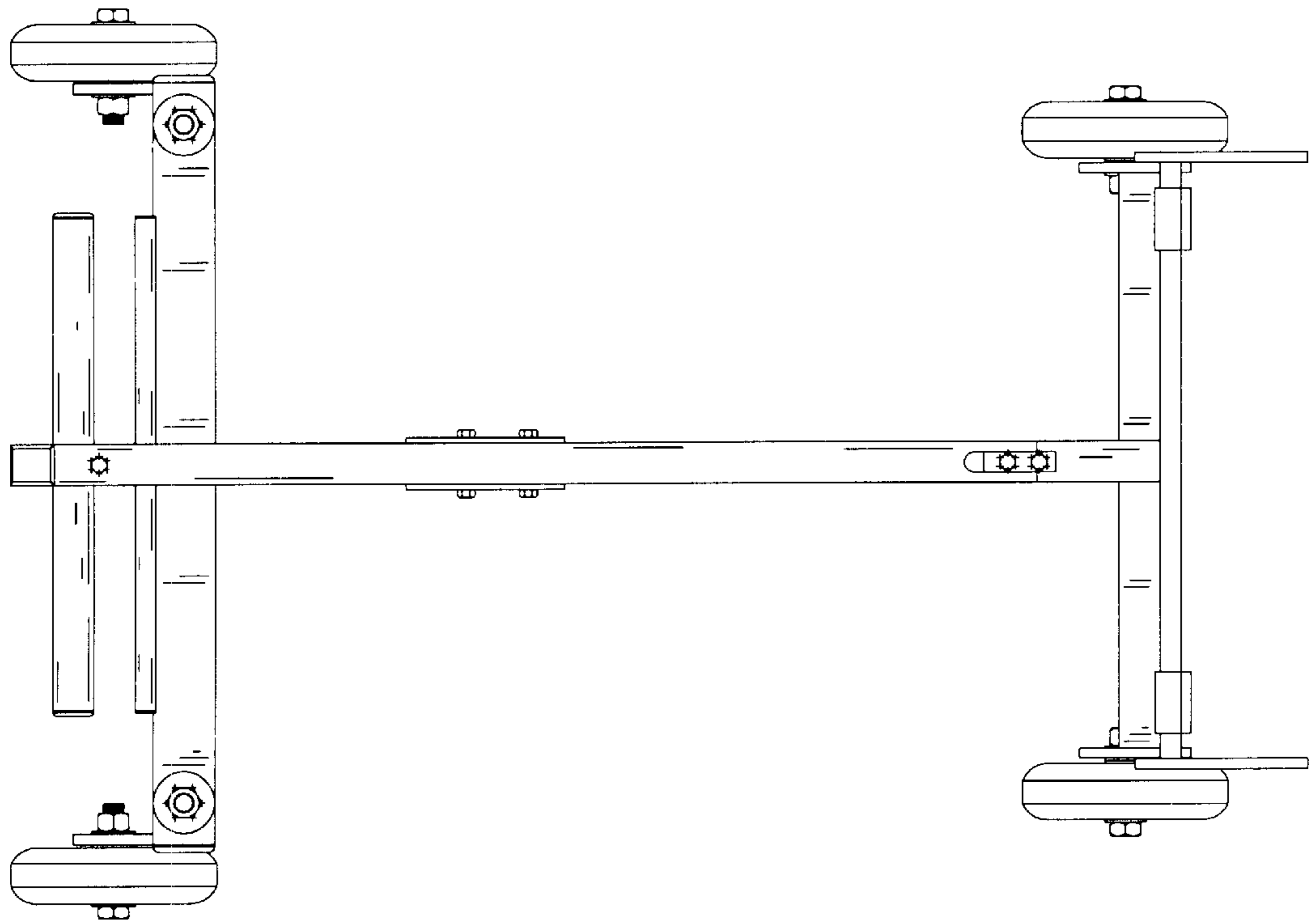


FIG. 5

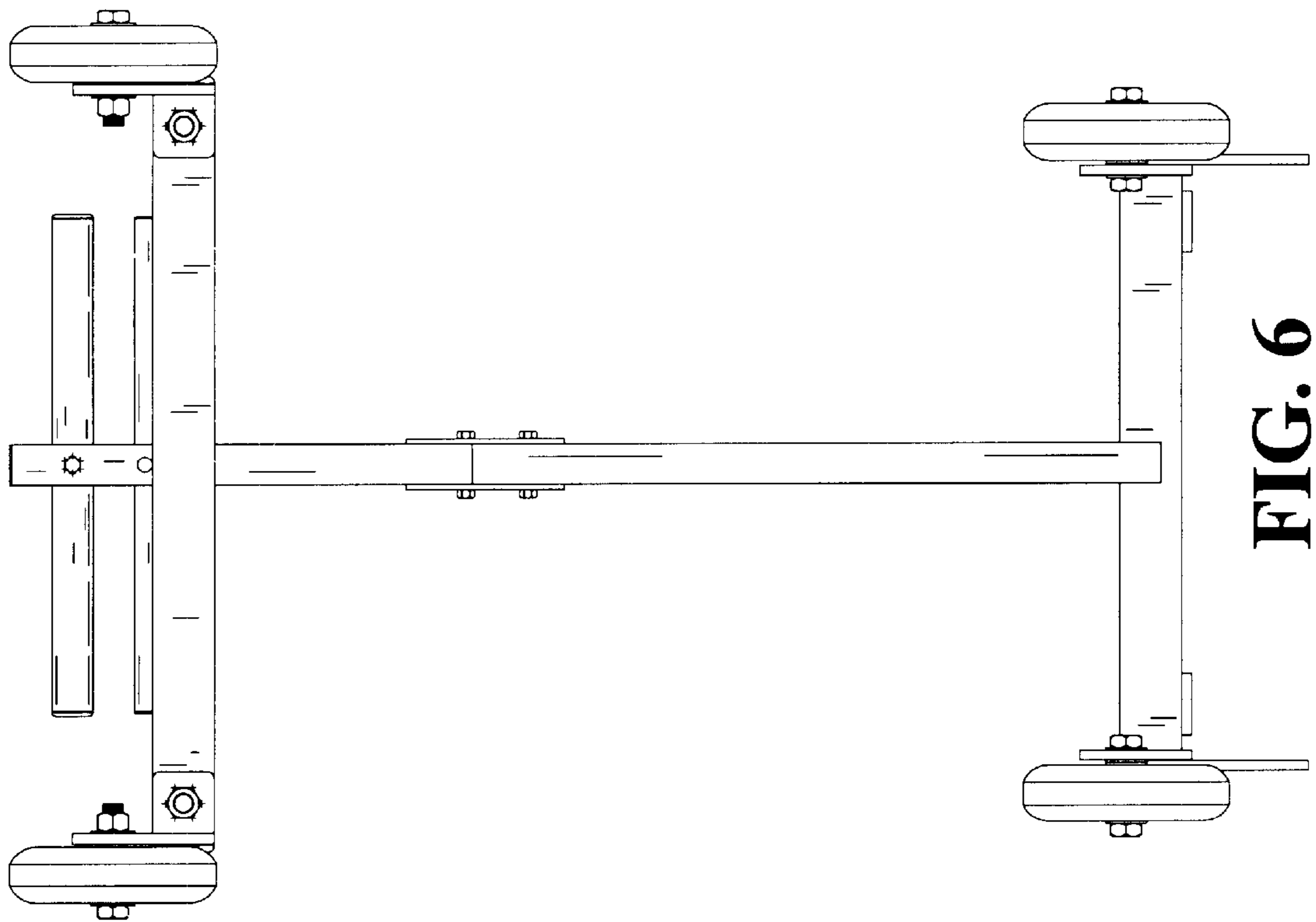


FIG. 6