



US00D472279S

(12) **United States Design Patent**
Kim

(10) **Patent No.:** **US D472,279 S**

(45) **Date of Patent:** **** Mar. 25, 2003**

(54) **GAME MACHINE**

(75) Inventor: **Yong Hwan Kim**, Yangcheongu (KR)

(73) Assignee: **Andamiro Co., Ltd.**, Seoul (KR)

(**) Term: **14 Years**

(21) Appl. No.: **29/155,202**

(22) Filed: **Feb. 4, 2002**

(30) **Foreign Application Priority Data**

Dec. 3, 2001 (KR) 2001-34032

(51) **LOC (7) Cl.** **21-01**

(52) **U.S. Cl.** **D21/327**

(58) **Field of Search** D21/324-333;
463/1-6, 30-35, 46-52; 273/148 B, 440,
454, 455, 456, 459, 460, 461, 441, 317.1-317.9

(56) **References Cited**

U.S. PATENT DOCUMENTS

- 3,960,380 A * 6/1976 Yokoi 463/50
- 4,215,867 A * 8/1980 Natwick 273/357
- 5,439,230 A * 8/1995 Meades, Jr. 463/50
- D383,169 S * 9/1997 Shinzato D21/327
- D386,217 S * 11/1997 Okumura D21/327

- 5,795,224 A * 8/1998 Yoshida 463/2
- 5,853,324 A * 12/1998 Kami et al. 463/2
- D406,182 S * 2/1999 Chikui et al. D21/325
- 6,019,681 A * 2/2000 Oichi et al. 463/49
- D425,570 S * 5/2000 Otomi et al. D21/325
- D438,260 S * 2/2001 Isetani et al. D21/25
- D446,251 S * 8/2001 Otomi et al. D21/325

* cited by examiner

Primary Examiner—Prabhakar Deshmukh

(74) *Attorney, Agent, or Firm*—Peter F. Corless; Christine C. O'Day; Edwards & Angell, LLP

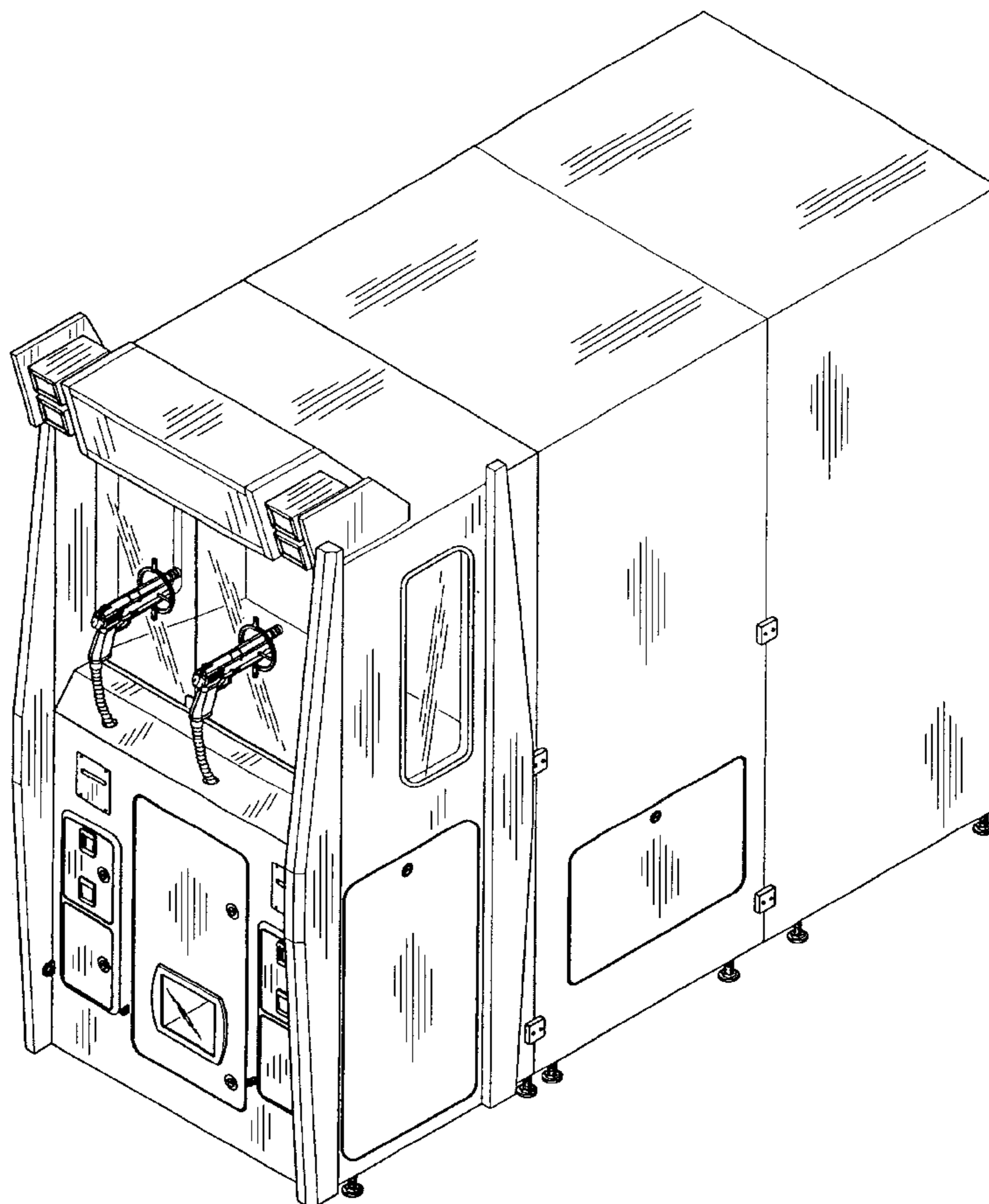
(57) **CLAIM**

The ornamental design of a game machine, as shown and described.

DESCRIPTION

FIG. 1 is a perspective view of a game machine showing my new design;
 FIG. 2 is a front elevational view thereof;
 FIG. 3 is a rear elevational view thereof;
 FIG. 4 is a left side elevational view thereof;
 FIG. 5 is a right side elevational view thereof;
 FIG. 6 is a top plan view thereof; and,
 FIG. 7 is a bottom plan view thereof.

1 Claim, 5 Drawing Sheets



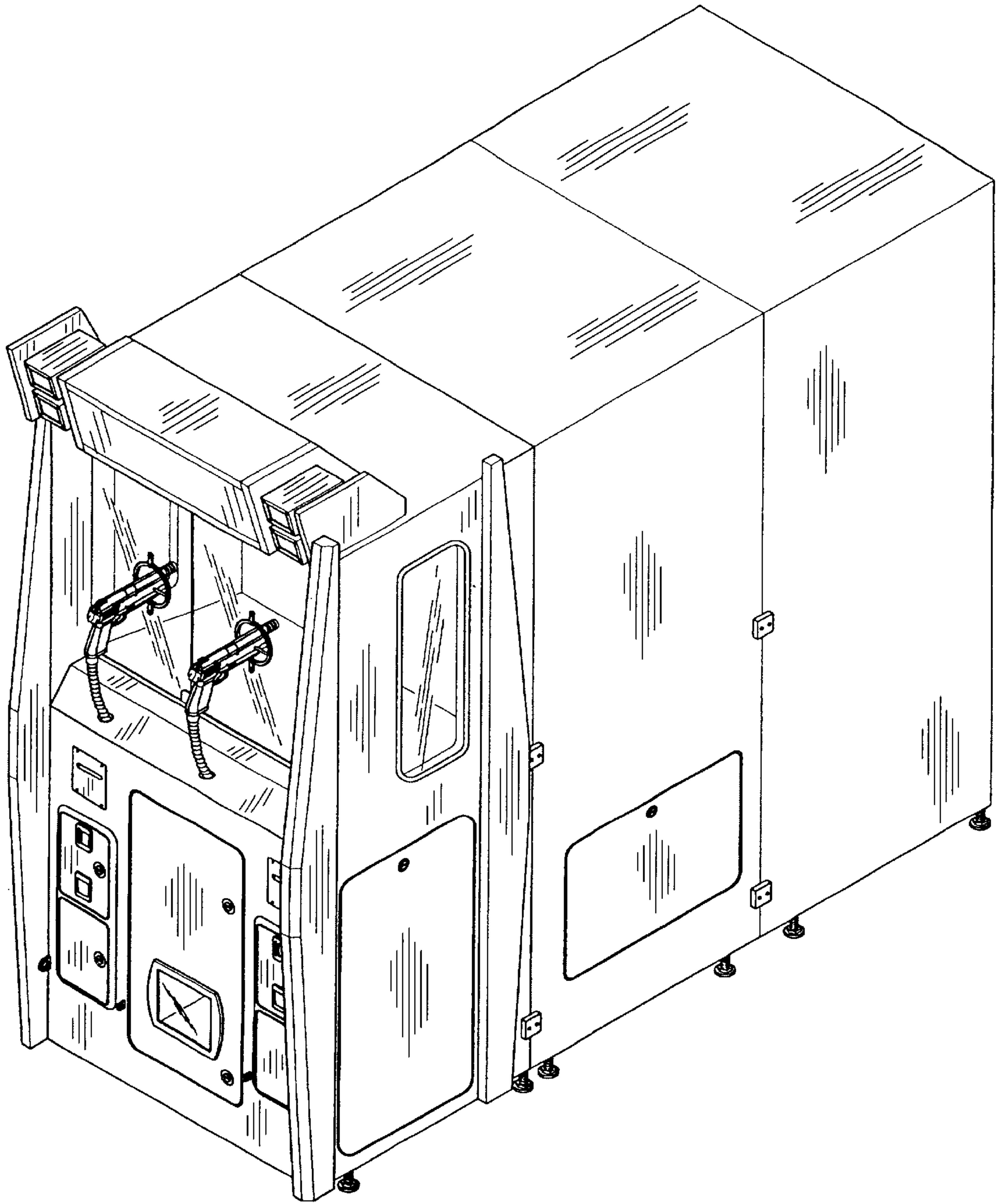


FIG. 1

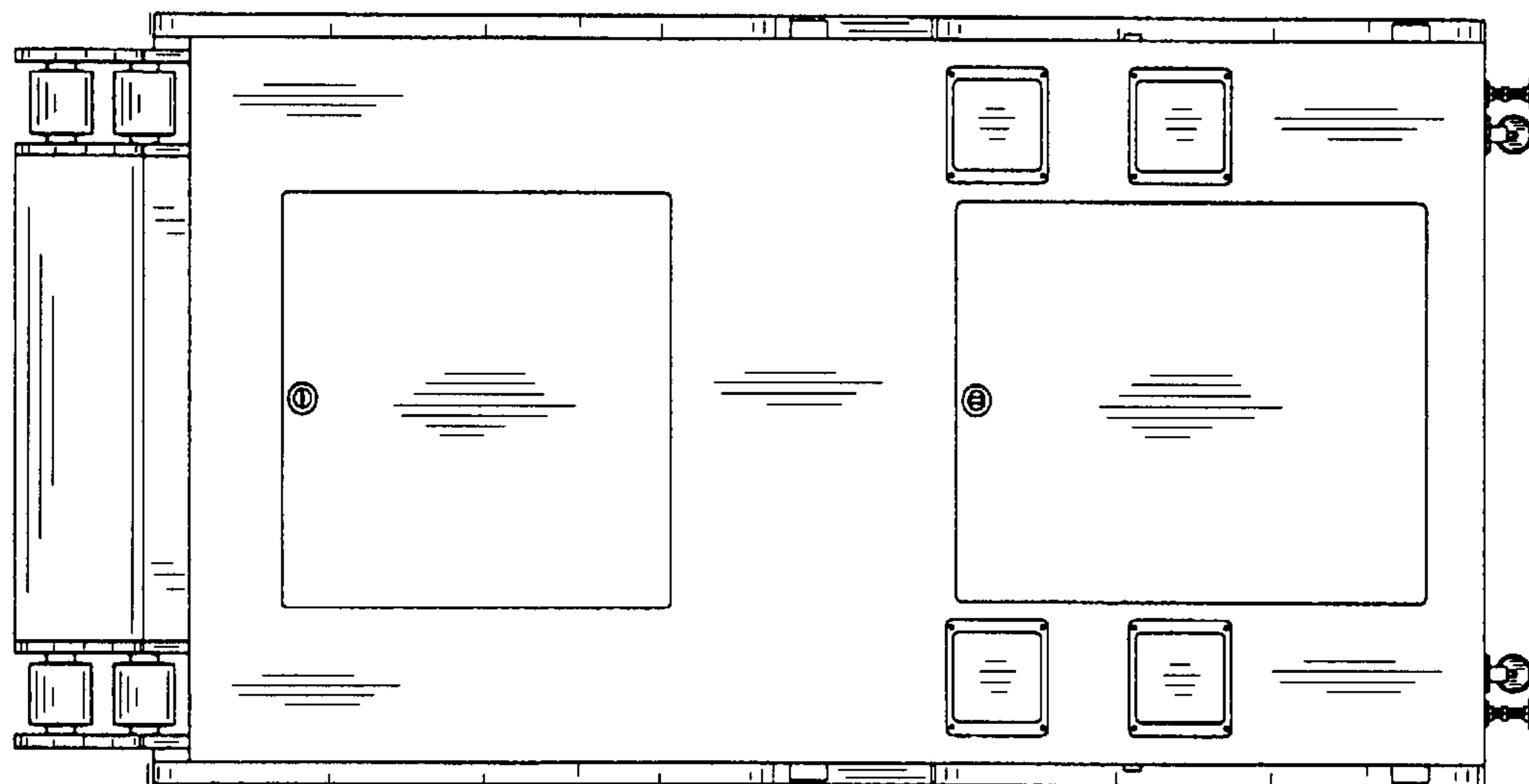


FIG. 3

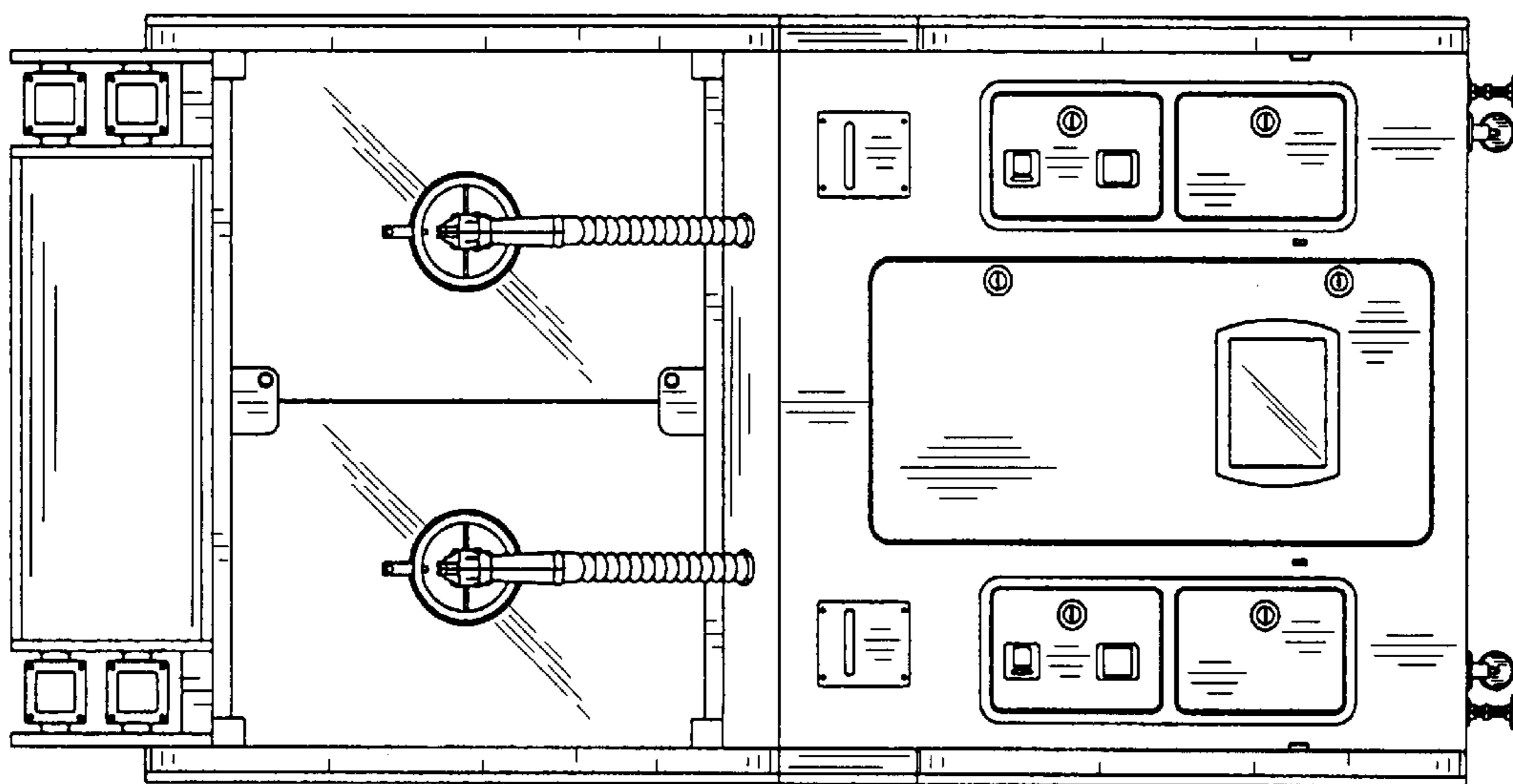


FIG. 2

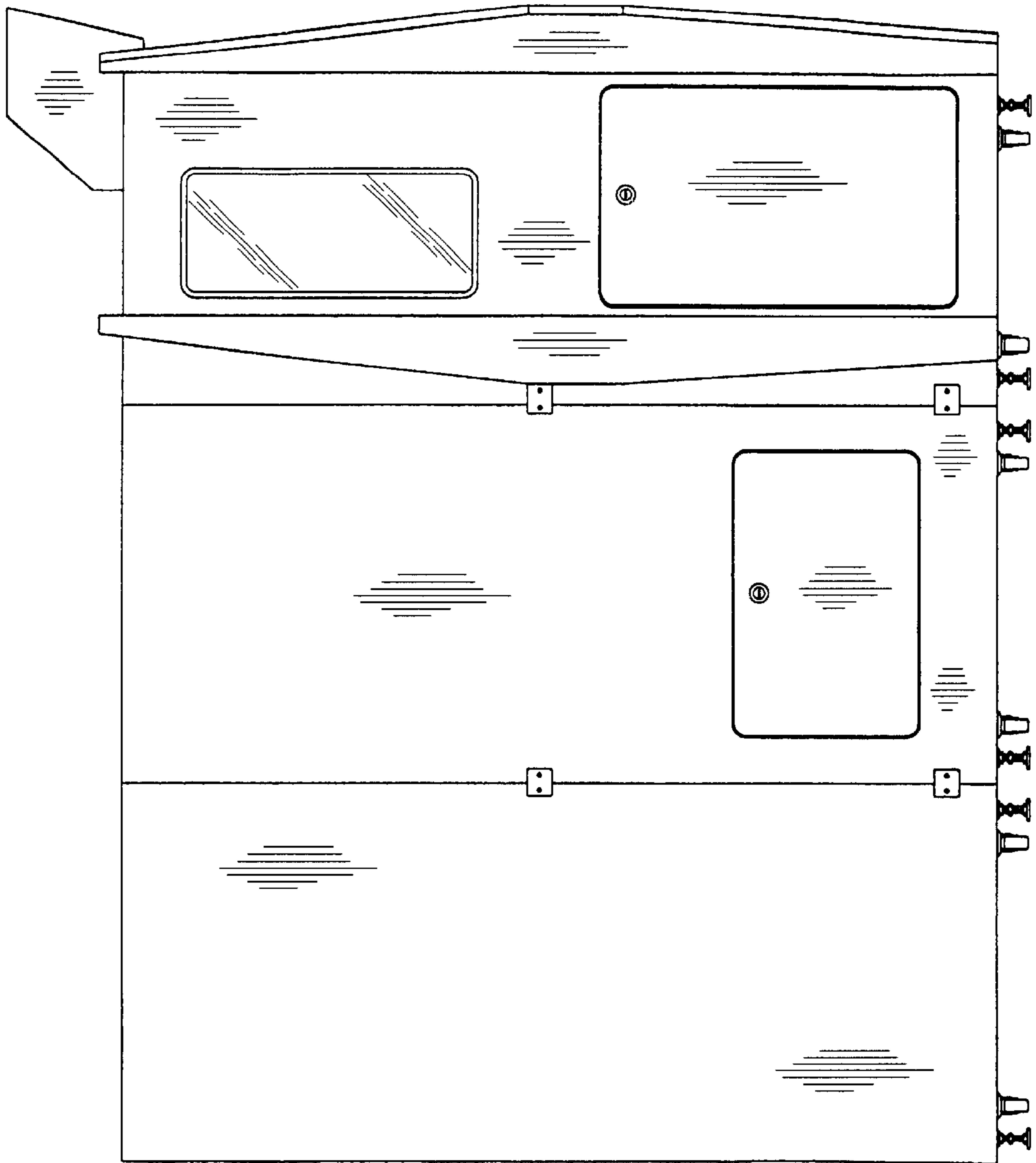


FIG. 4

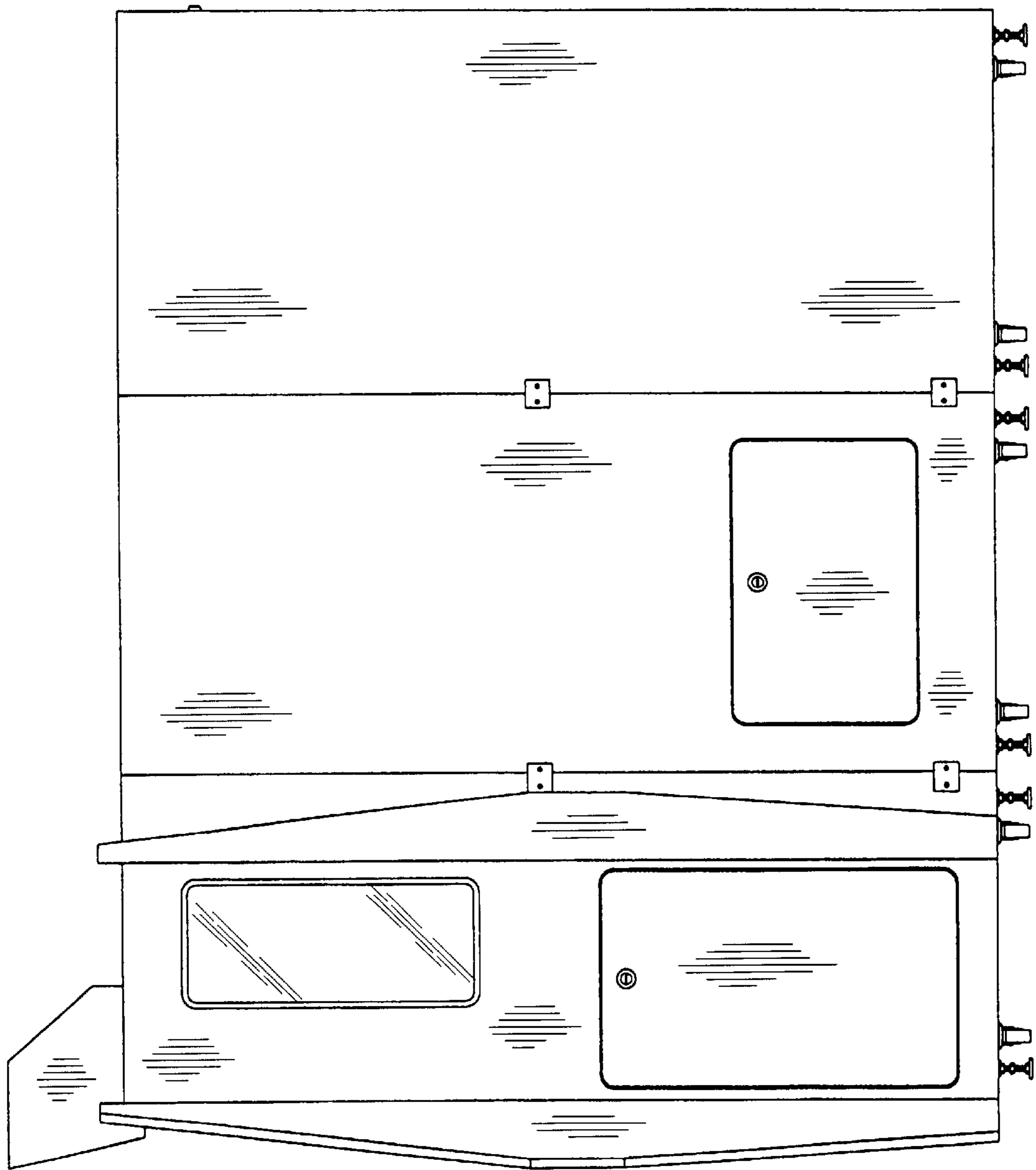


FIG. 5

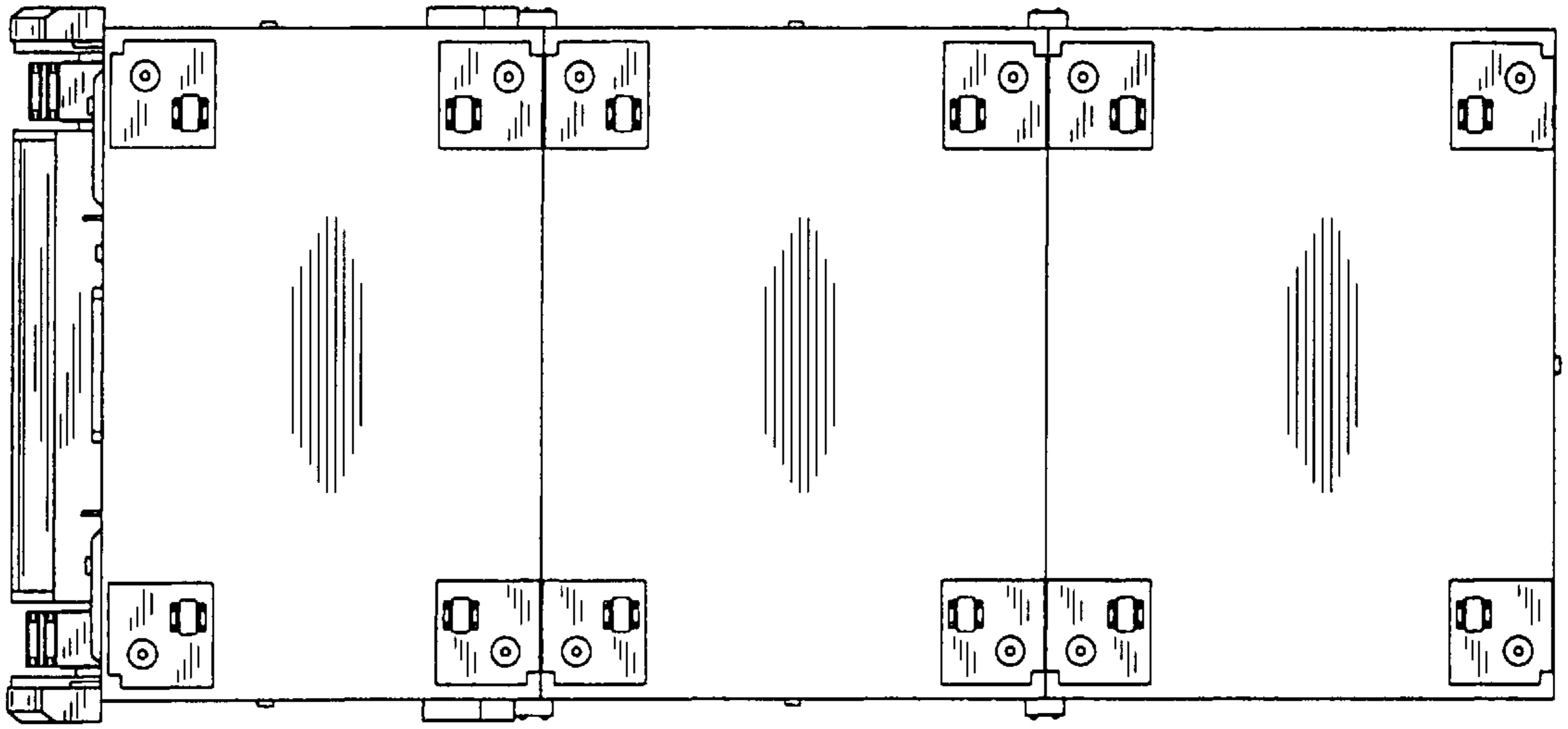


FIG. 6

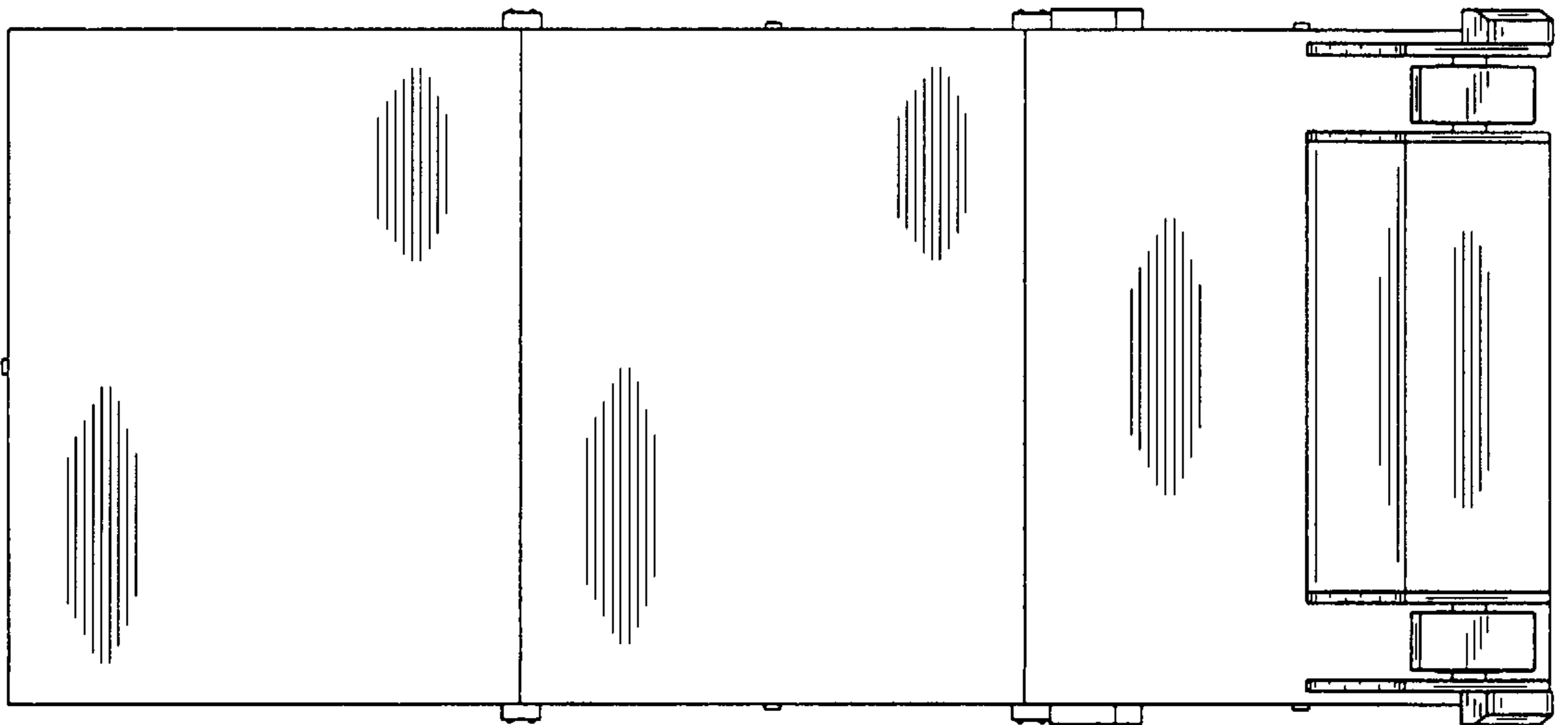


FIG. 7