



US00D472278S

(12) **United States Design Patent**  
**Valiulis**

(10) **Patent No.:** **US D472,278 S**

(45) **Date of Patent:** **\*\* Mar. 25, 2003**

(54) **SIDE INSERT LABEL HOLDER**

(75) Inventor: **Stanley C. Valiulis**, Rockford, IL (US)

(73) Assignee: **Southern Imperial, Inc.**, Rockford, IL (US)

(\*\*) Term: **14 Years**

(21) Appl. No.: **29/161,099**

(22) Filed: **May 22, 2002**

**Related U.S. Application Data**

(63) Continuation-in-part of application No. 09/872,115, filed on Jun. 1, 2001.

(51) **LOC (7) Cl.** ..... **20-02**

(52) **U.S. Cl.** ..... **D20/43**

(58) **Field of Search** ..... D20/10, 40, 42, D20/43, 44, 99; D25/119, 121, 122, 124; 40/124.01, 584, 642.01, 649, 653, 654.01, 661; 52/522

(56) **References Cited**

**U.S. PATENT DOCUMENTS**

3,912,084	A	10/1975	Valiulis	
4,850,557	A	7/1989	Valiulis	
D305,911	S	* 2/1990	Burlando	..... D20/44
5,231,779	A	8/1993	Valiulis	
5,236,163	A	8/1993	Valiulis	
D362,455	S	* 9/1995	Bowers	..... D18/18
5,582,376	A	* 12/1996	Thompson	..... 248/214
D447,518	S	* 9/2001	Lau	..... D20/43

**OTHER PUBLICATIONS**

Southern Imperial, Inc., 1999 Catalog, 3 pages.

\* cited by examiner

*Primary Examiner*—Robert M. Spear

(74) *Attorney, Agent, or Firm*—Leydig, Voit & Mayer, Ltd.

(57) **CLAIM**

I claim the ornamental design for a side insert label holder, as shown and described.

**DESCRIPTION**

FIG. 1 is a perspective view of the label holder, taken from the front and right of the label holder;

FIG. 2 is a perspective view of the side insert label holder shown in FIG. 1, taken from the rear and left of the label holder;

FIG. 3 is a perspective view of the label holder shown in FIG. 1, taken from the front and left of the label holder;

FIG. 4 is a perspective view of the label holder shown in FIG. 1, taken from the rear and right of the label holder;

FIG. 5 is a top view of the label holder shown in FIG. 1;

FIG. 6 is a rear view of the label holder shown in FIG. 1;

FIG. 7 is a bottom view of the label holder shown in FIG. 1;

FIG. 8 is a side view of the label holder shown in FIG. 1, taken from the right;

FIG. 9 is a side view of the label holder shown in FIG. 1, taken from the left;

FIG. 10 is a perspective view of an alternate embodiment of the side insert label holder shown in FIGS. 1–9, taken from the front and right of the label holder;

FIG. 11 is a perspective view of the label holder shown in FIG. 10, taken from the rear and left of the label holder;

FIG. 12 is a perspective view of the label holder shown in FIG. 10, taken from the front and left of the label holder;

FIG. 13 is a perspective view of the label holder shown in FIG. 10, taken from the rear and right of the label holder;

FIG. 14 is a top view of the label holder shown in FIG. 10;

FIG. 15 is a rear view of the label holder shown in FIG. 10;

FIG. 16 is a bottom view of the label holder shown in FIG. 10;

FIG. 17 is a side view of the label holder shown in FIG. 10, taken from the right;

FIG. 18 is a side view of the label holder shown in FIG. 10, taken from the left;

FIG. 19 is a perspective view of another alternate embodiment of the side insert label holders shown in FIGS. 1–18, taken from the front and right of the label holder;

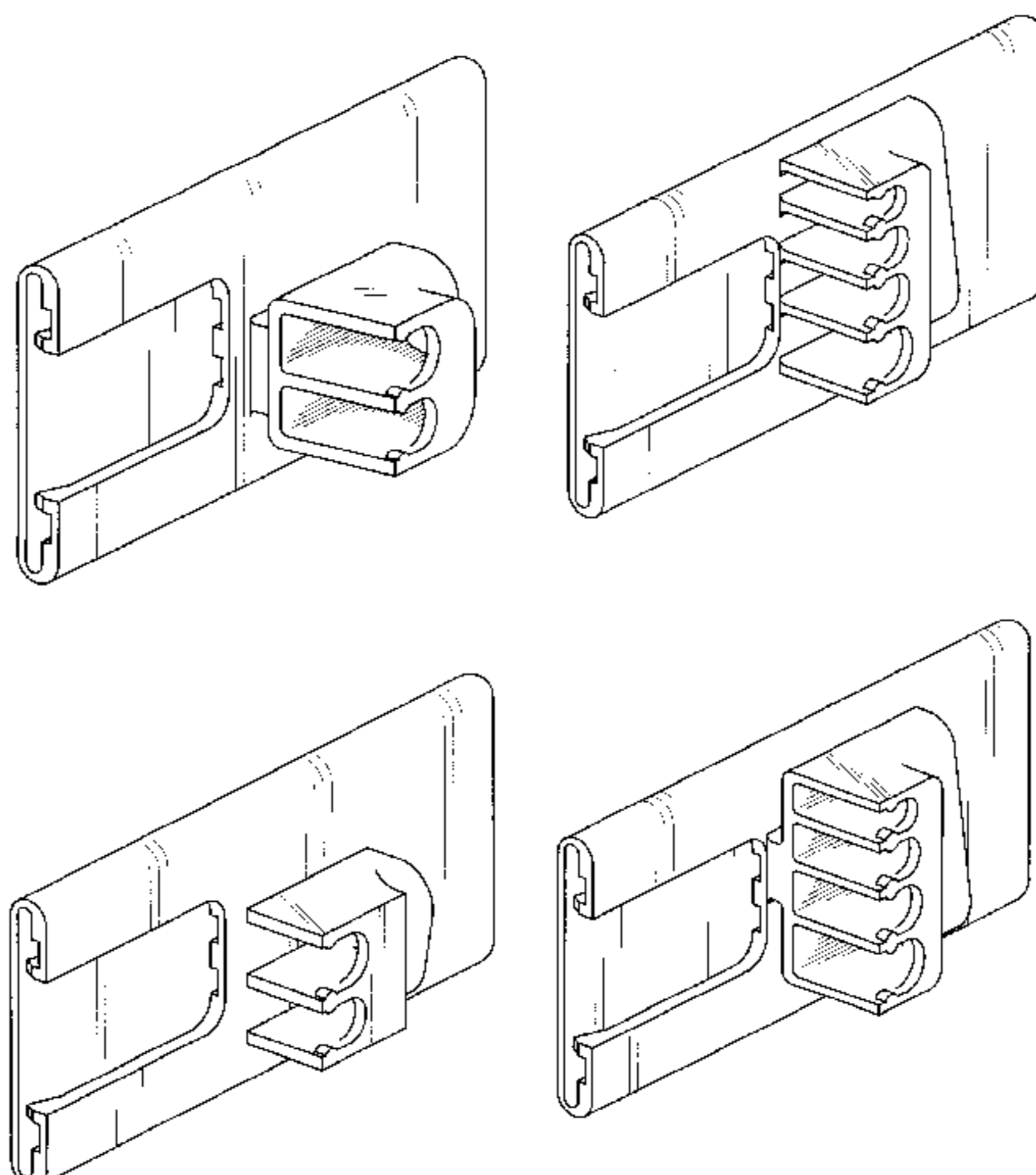


FIG. 20 is a perspective view of the label holder shown in FIG. 19, taken from the rear and left of the label holder; FIG. 21 is a perspective view of the label holder shown in FIG. 19, taken from the front and left of the label holder; FIG. 22 is a perspective view of the label holder shown in FIG. 19, taken from the rear and right of the label holder; FIG. 23 is a top view of the label holder shown in FIG. 19; FIG. 24 is a rear view of the label holder shown in FIG. 19; FIG. 25 is a bottom view of the label holder shown in FIG. 19;

FIG. 26 is a side view of the label holder shown in FIG. 19, taken from the right;

FIG. 27 is a side view of the label holder shown in FIG. 19, taken from the left;

FIG. 28 is a perspective view of yet another alternate embodiment of the side insert label holders shown in FIGS. 1-27, taken from the front and right of the label holder;

FIG. 29 is a perspective view of the label holder shown in FIG. 28, taken from the rear and left of the label holder.

FIG. 30 is a perspective view of the label holder shown in FIG. 28, taken from the front and left of the label holder;

FIG. 31 is a perspective view of the label holder shown in FIG. 28, taken from the rear and right of the label holder;

FIG. 32 is a top view of the label holder shown in FIG. 28;

FIG. 33 is a rear view of the label holder shown in FIG. 28;

FIG. 34 is a bottom view of the label holder shown in FIG. 28;

FIG. 35 is a side view of the label holder shown in FIG. 28, taken from the right; and,

FIG. 36 is a side view of the label holder shown in FIG. 28, taken from the left.

**1 Claim, 16 Drawing Sheets**

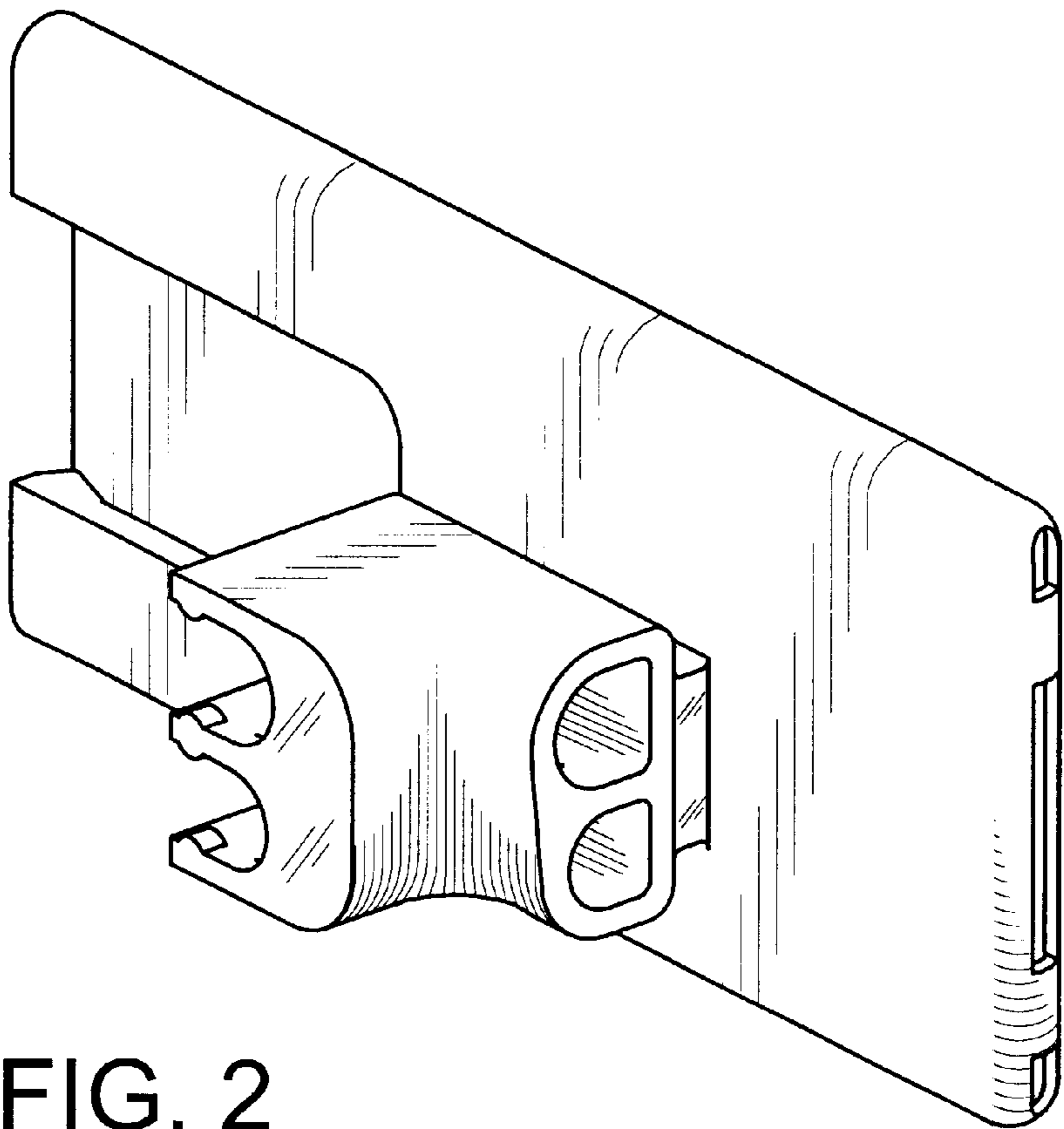
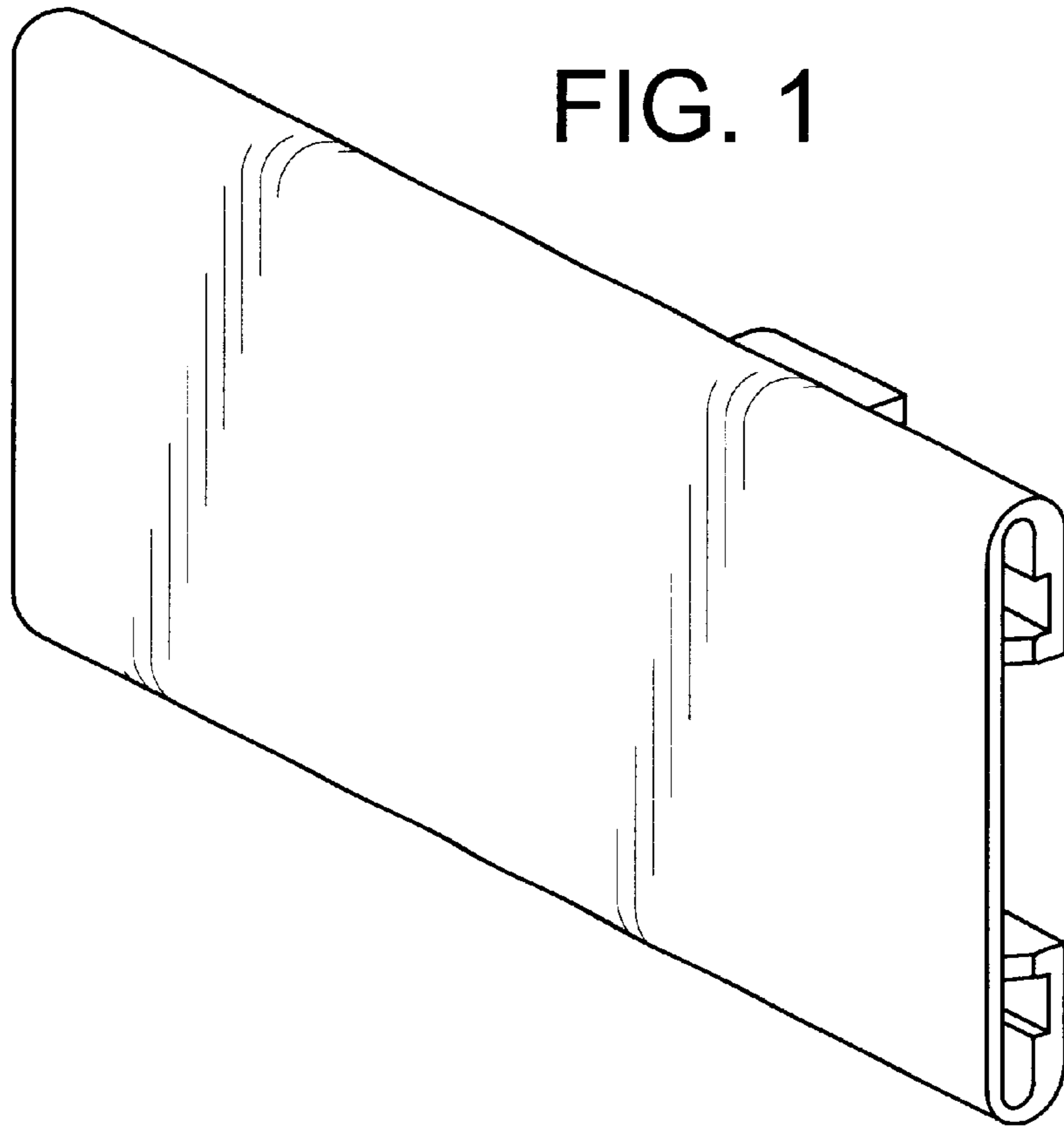


FIG. 3

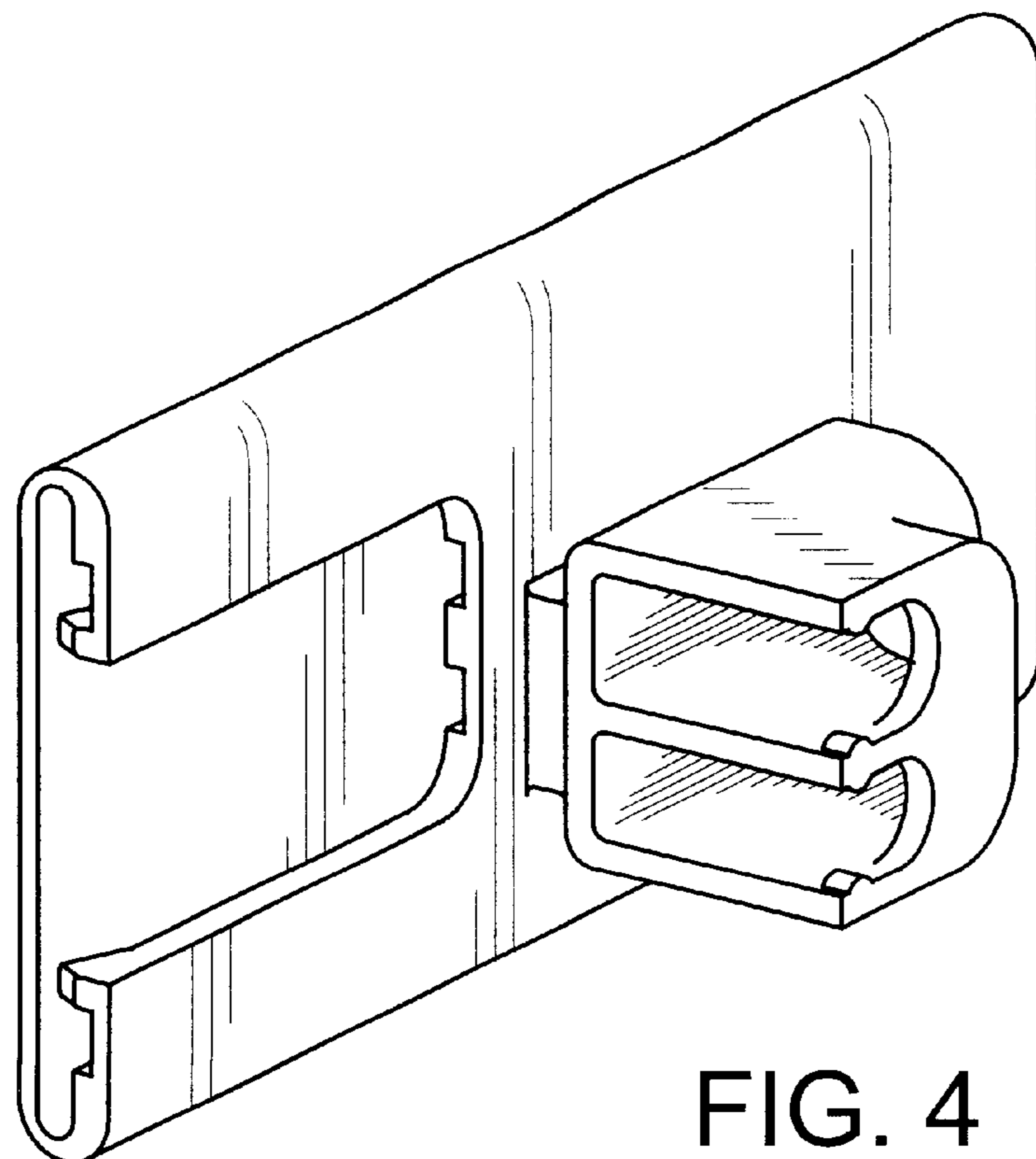
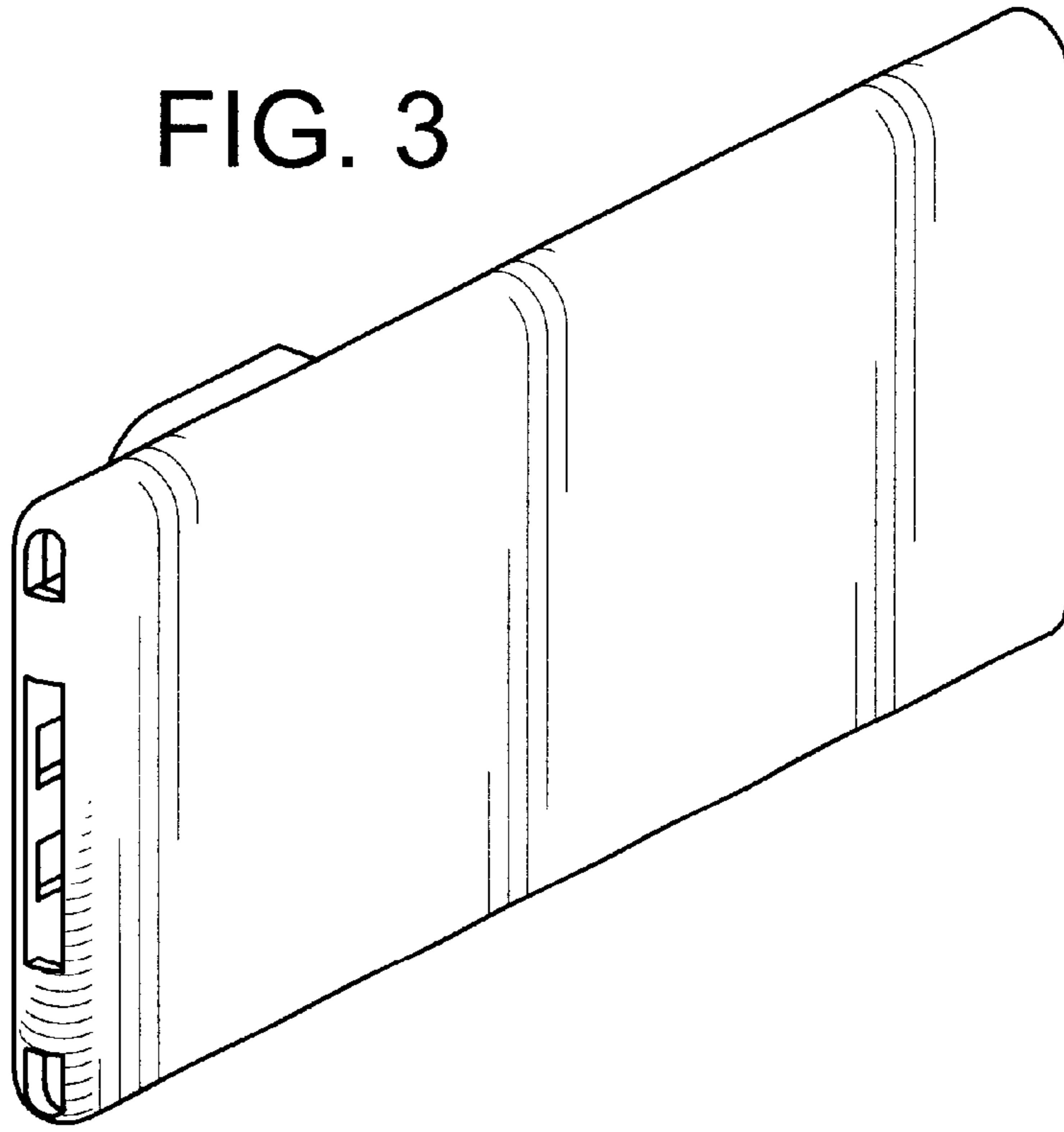


FIG. 4

FIG. 5

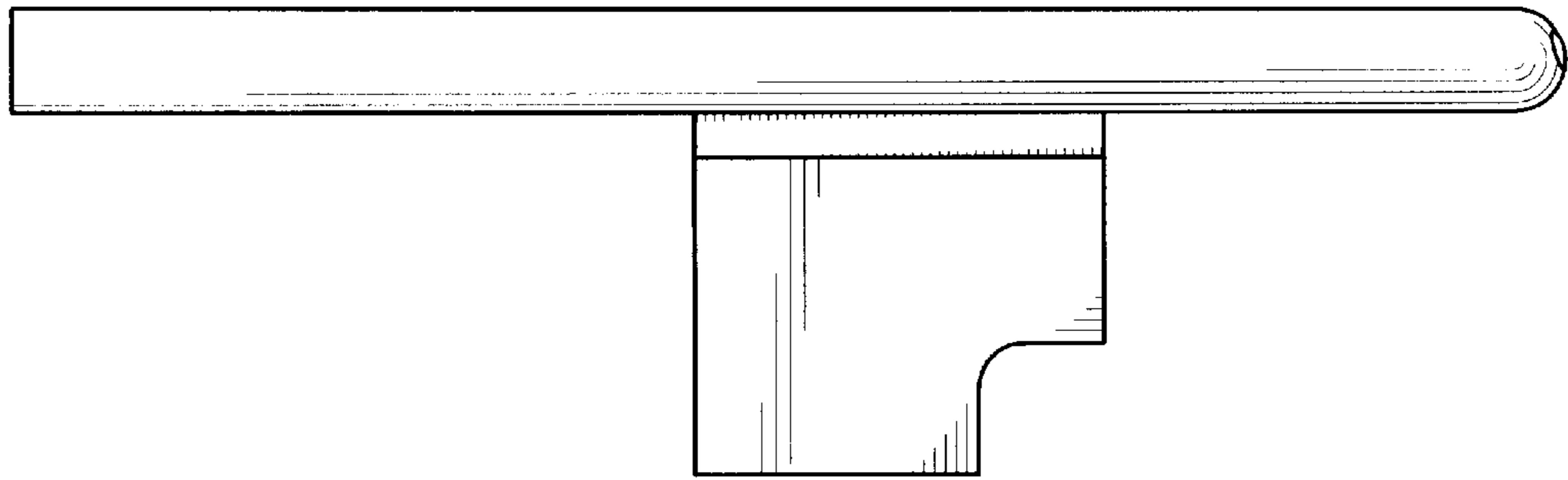


FIG. 6

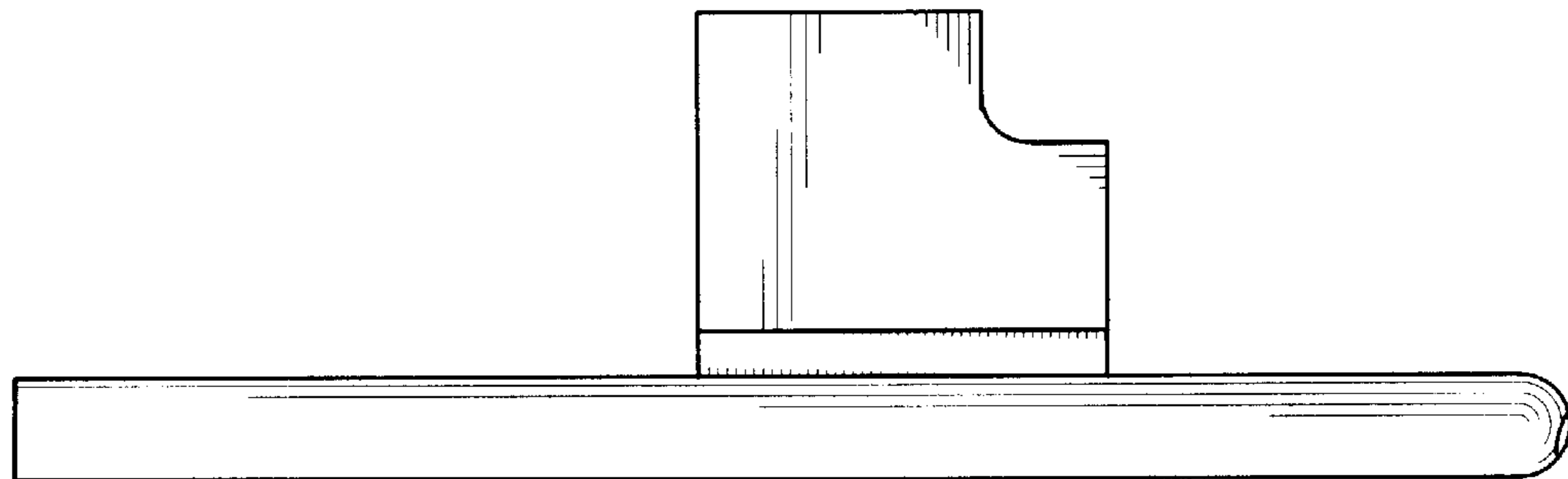
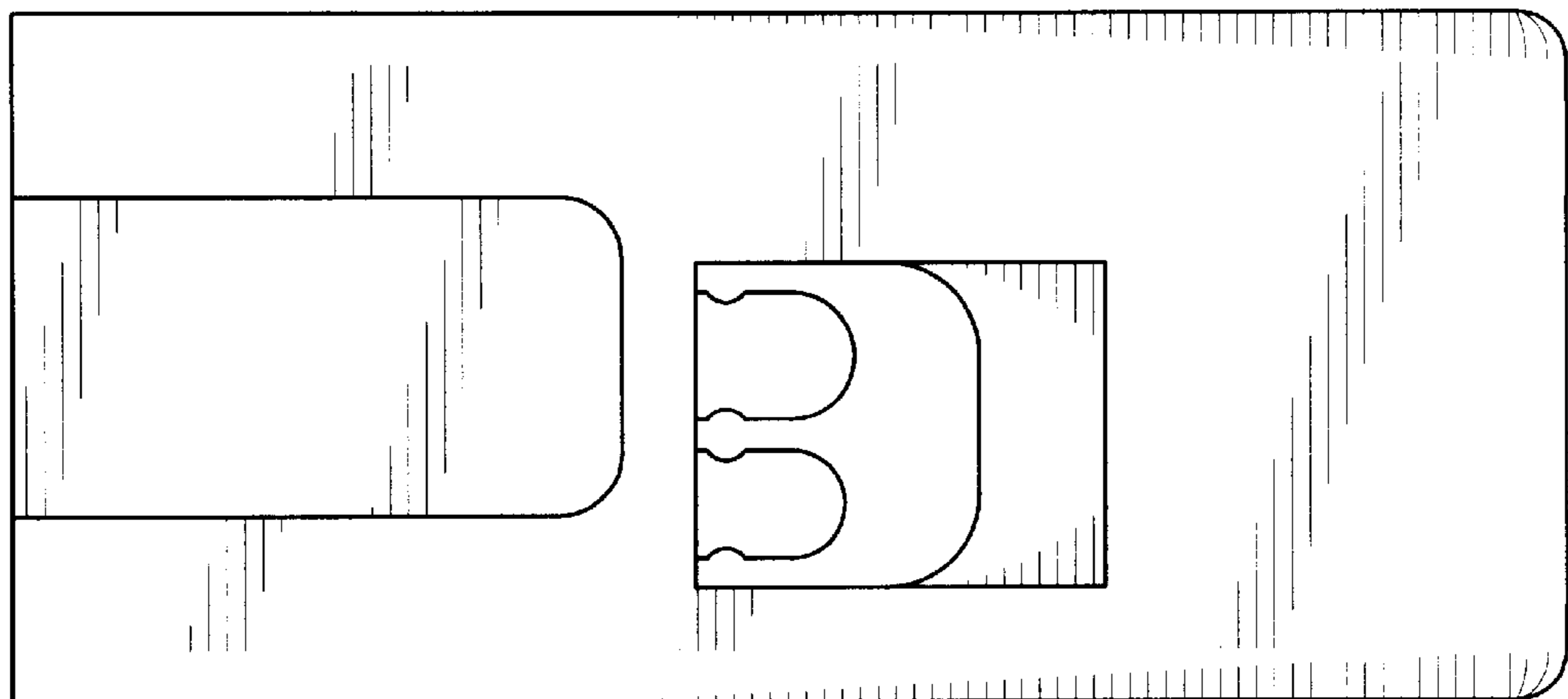


FIG. 7



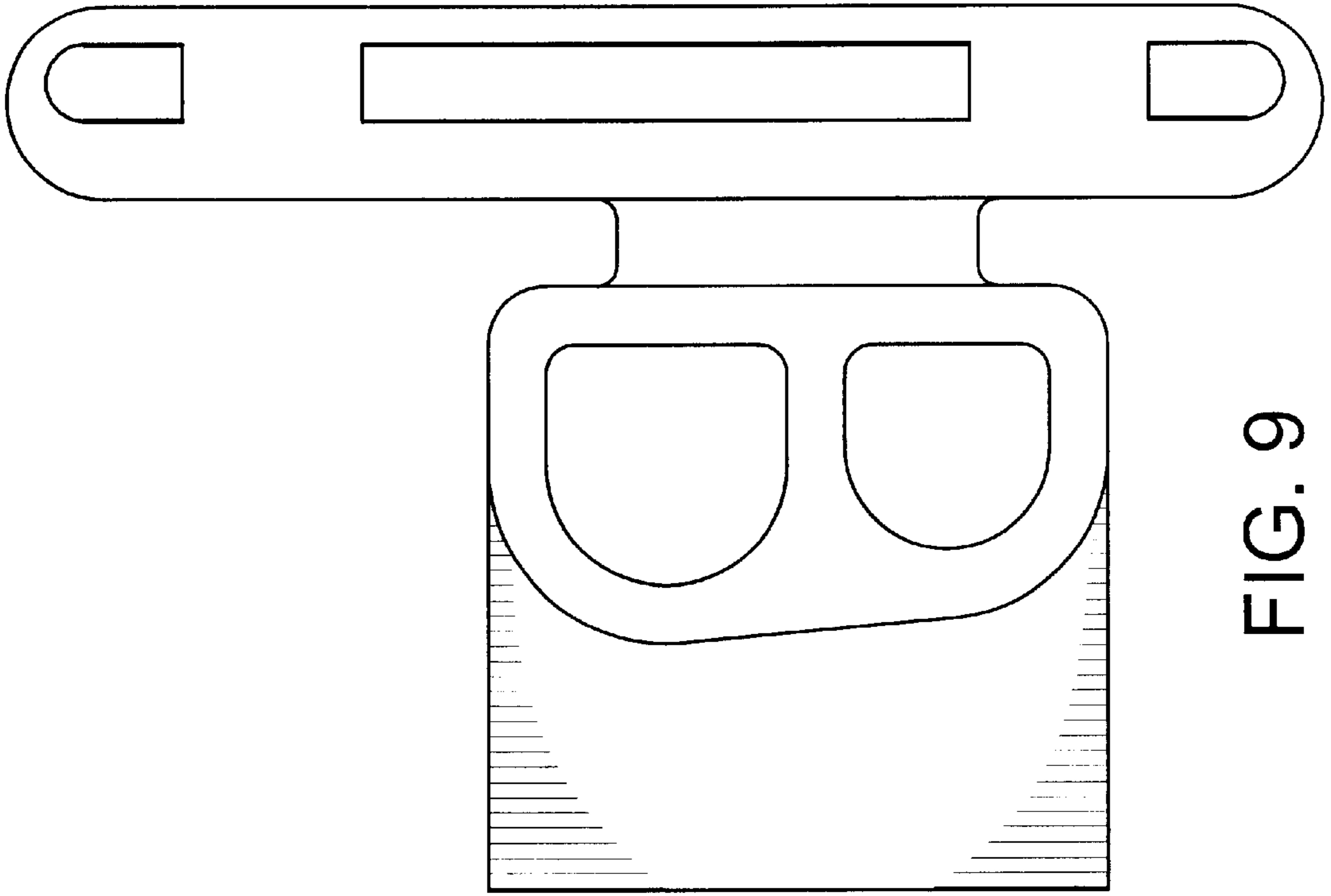


FIG. 9

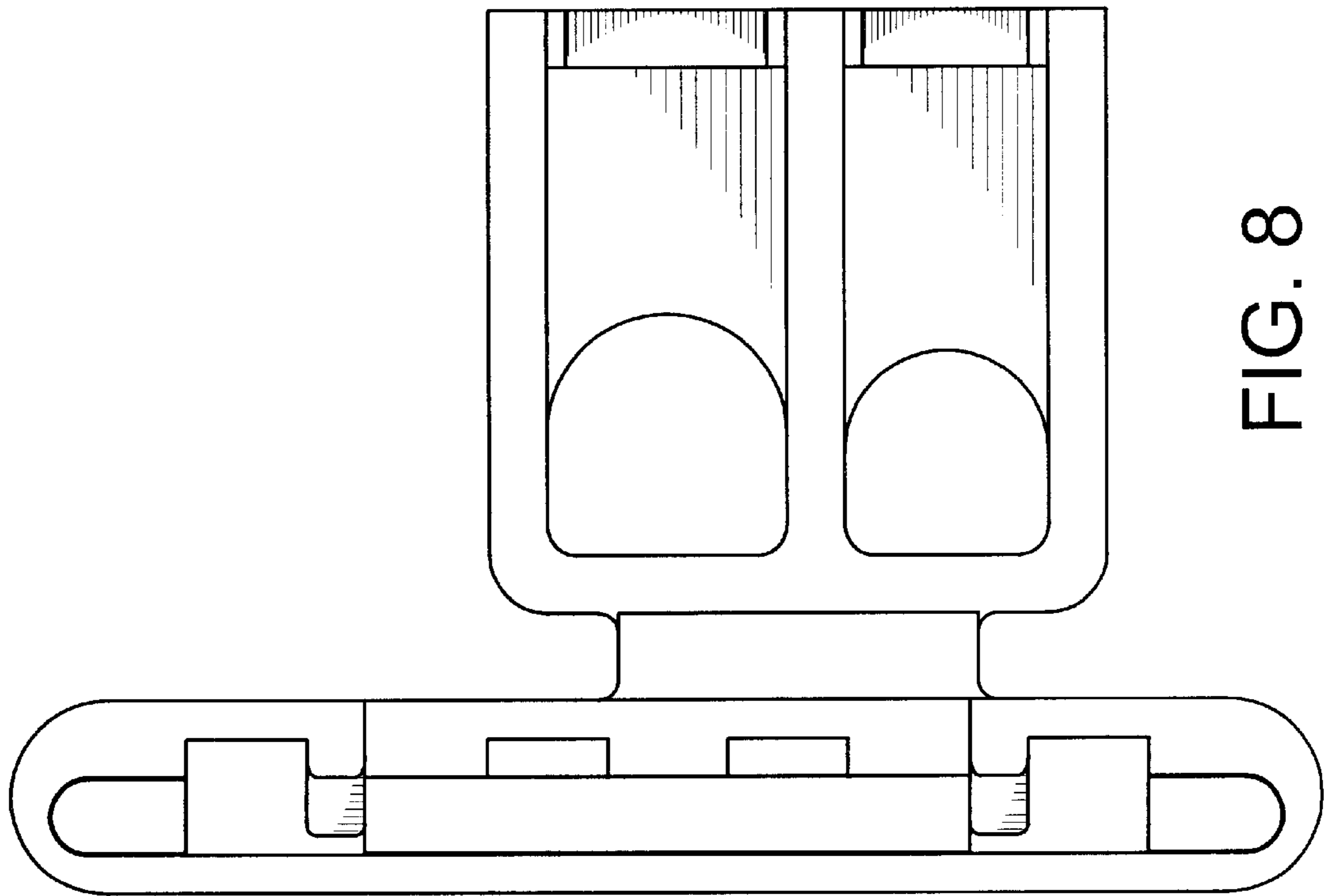


FIG. 8

FIG. 10

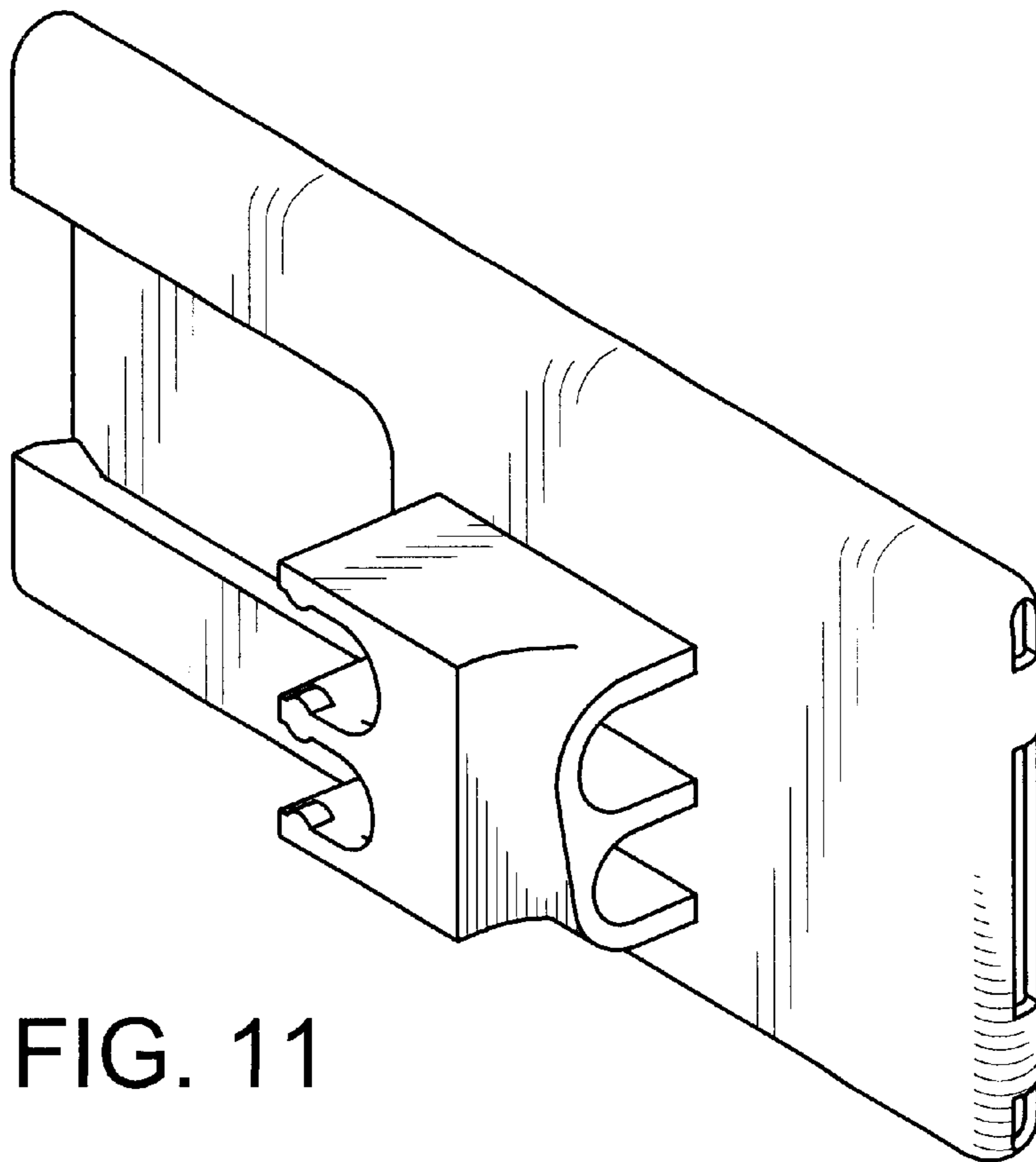
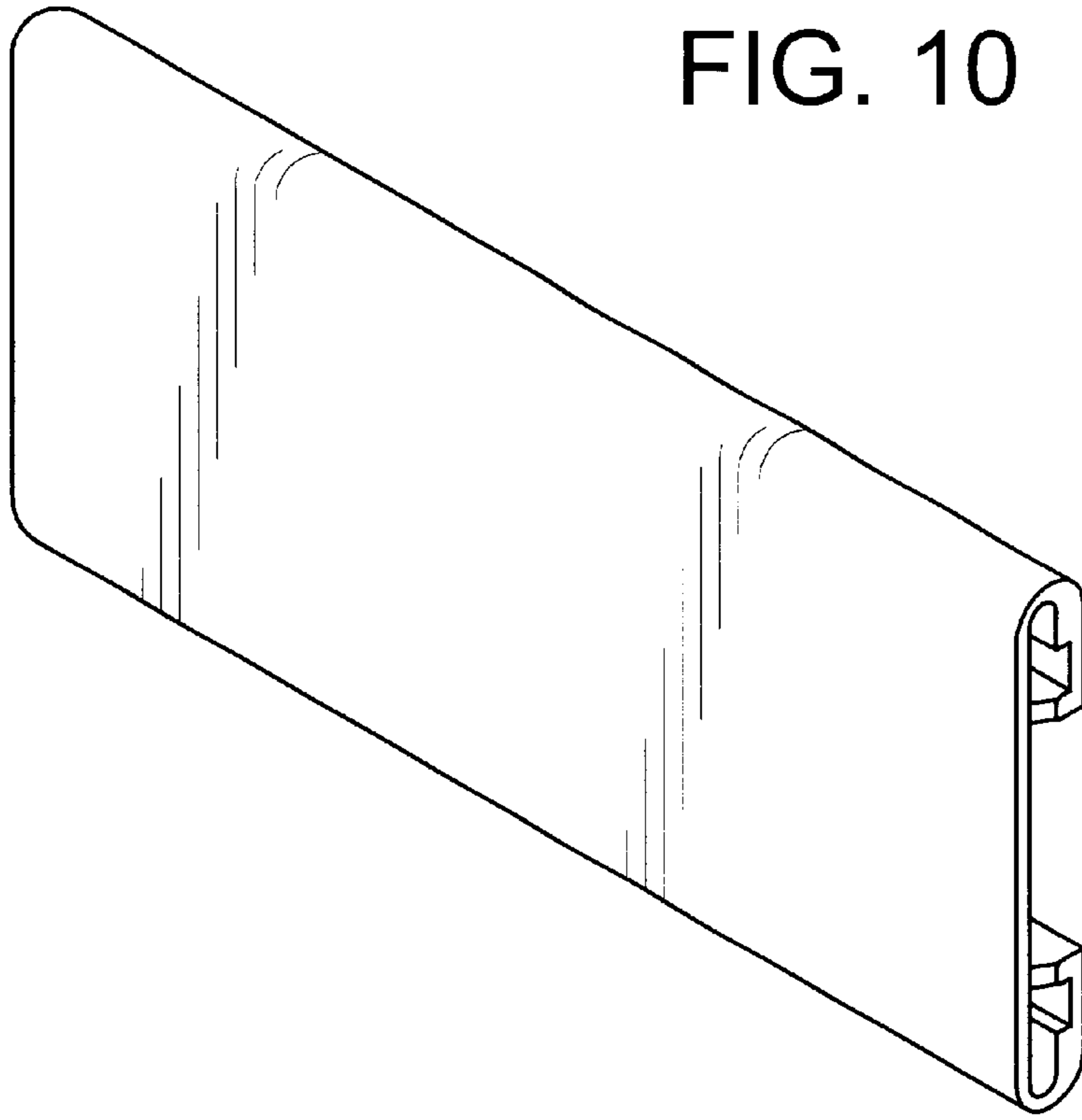


FIG. 11

FIG. 12

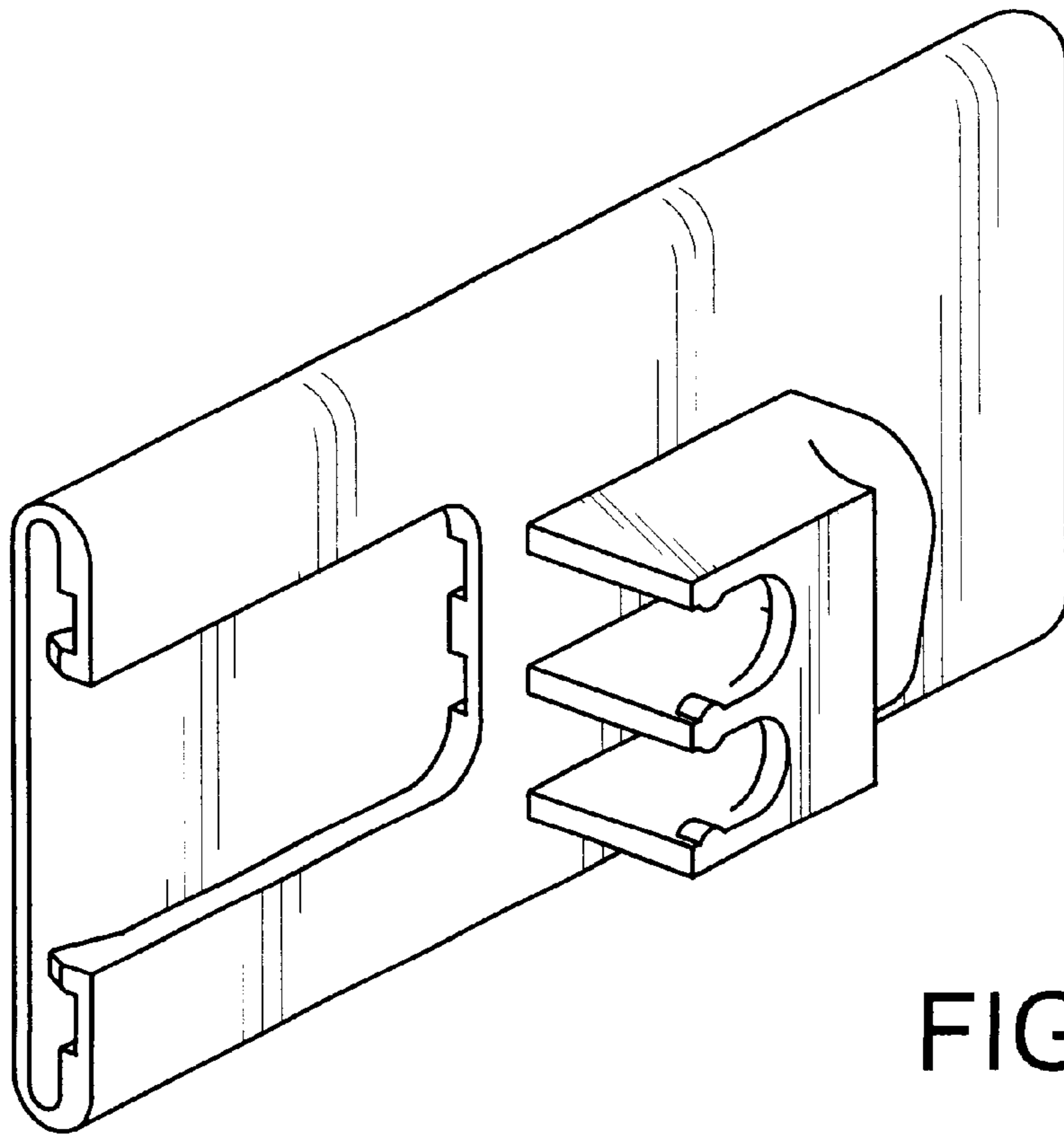
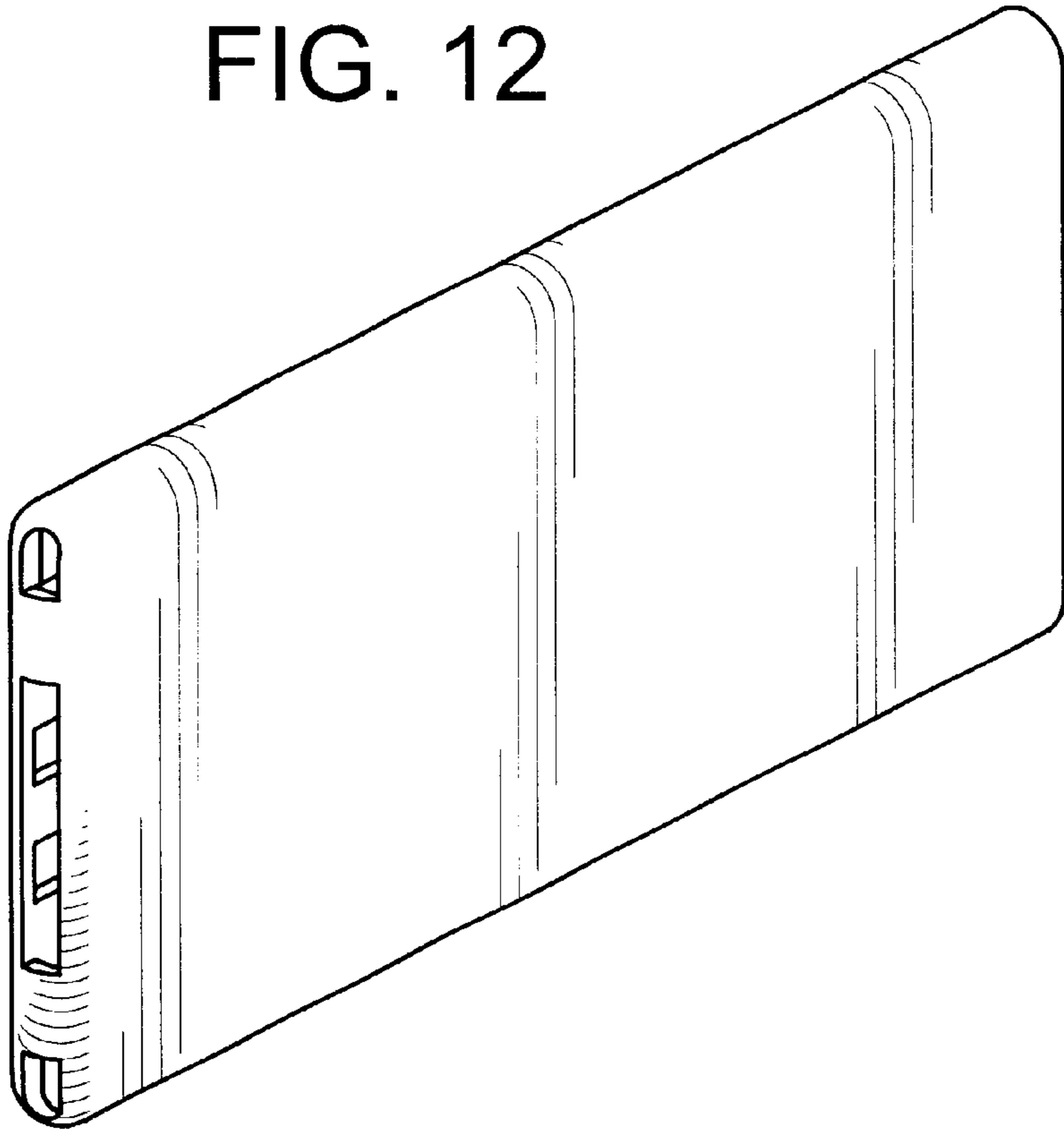


FIG. 13



FIG. 14

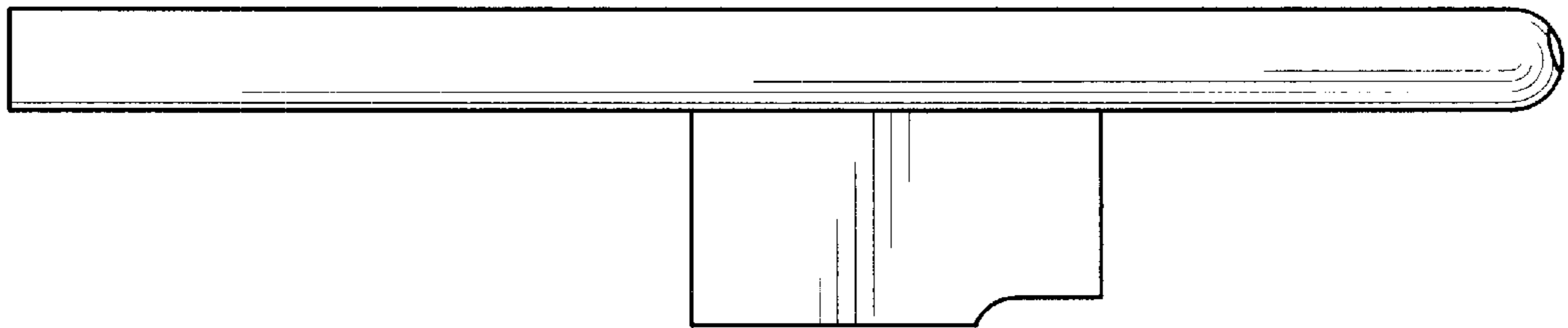


FIG. 15

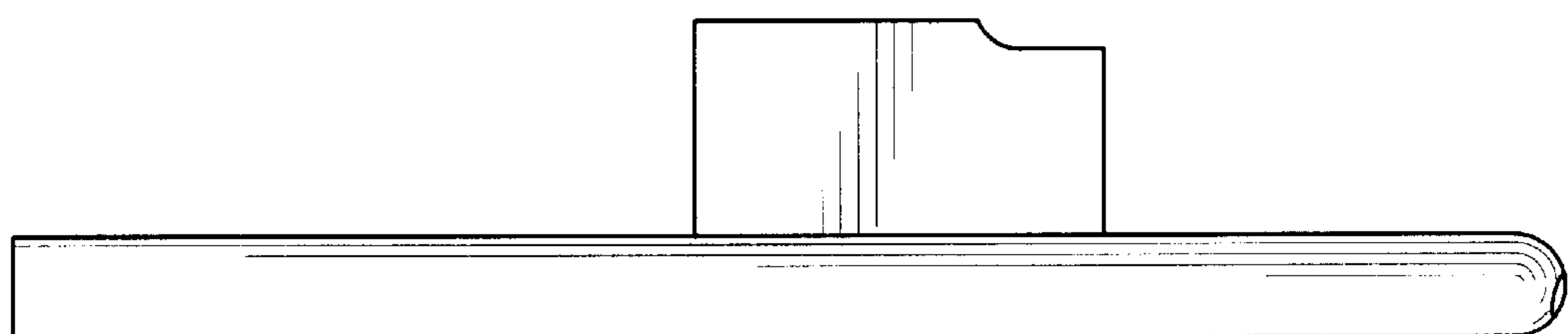
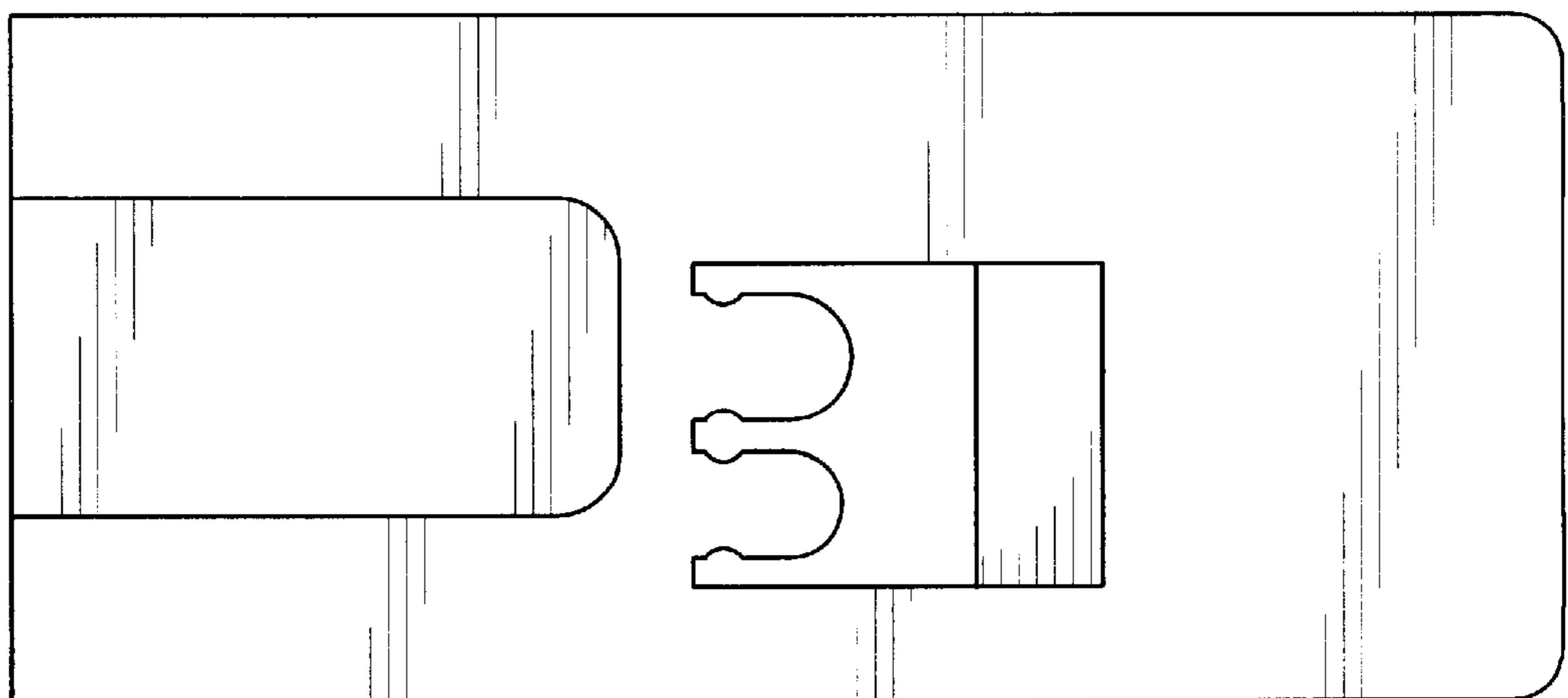


FIG. 16

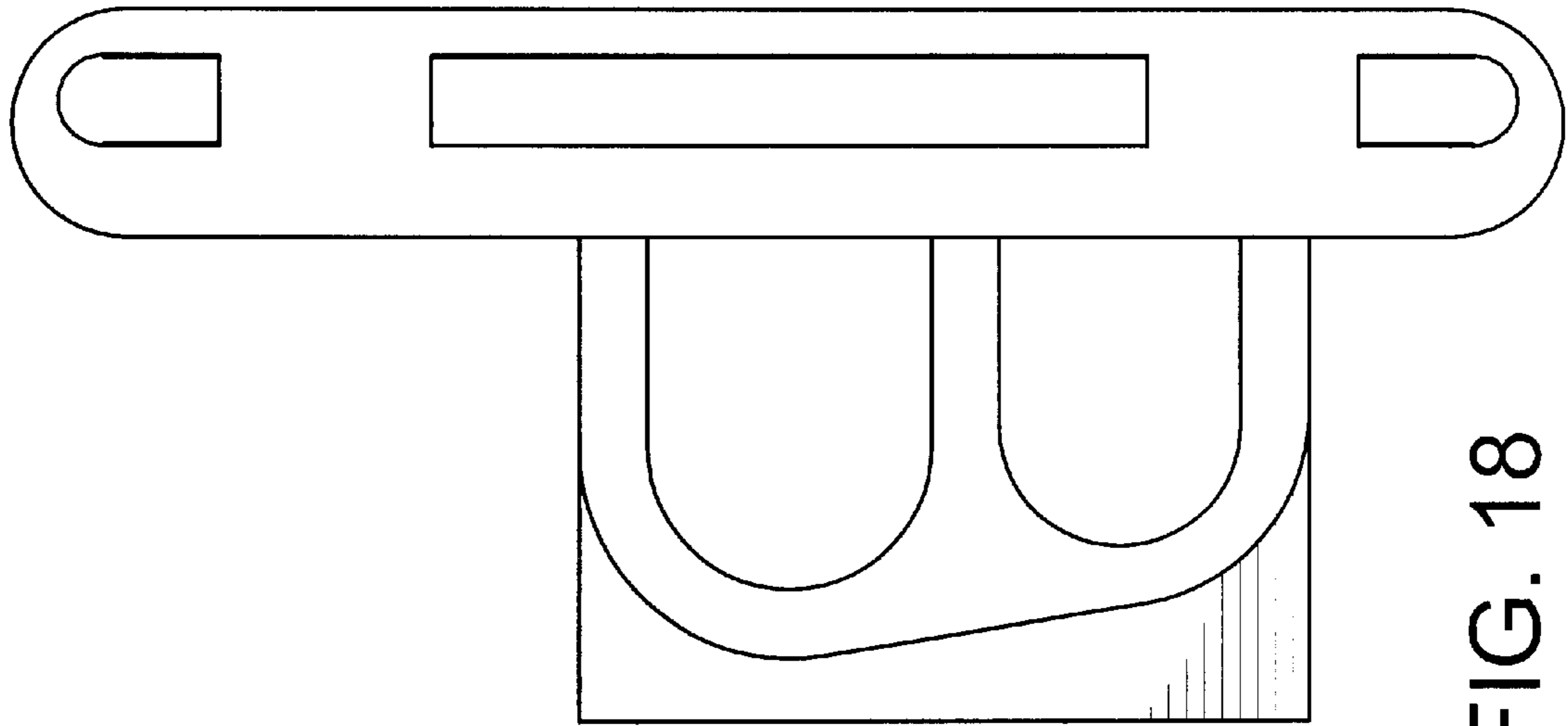


FIG. 18

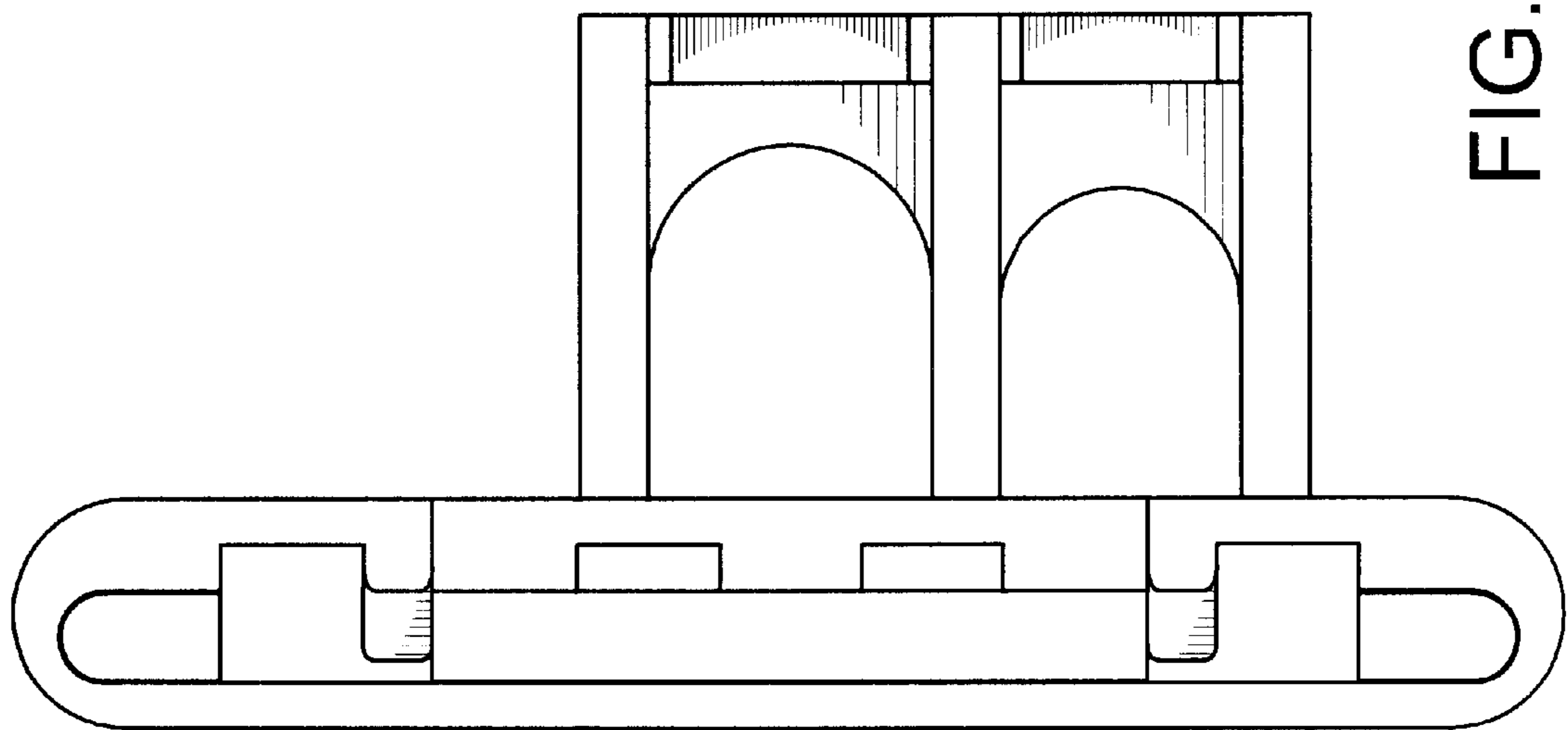


FIG. 17

FIG. 19

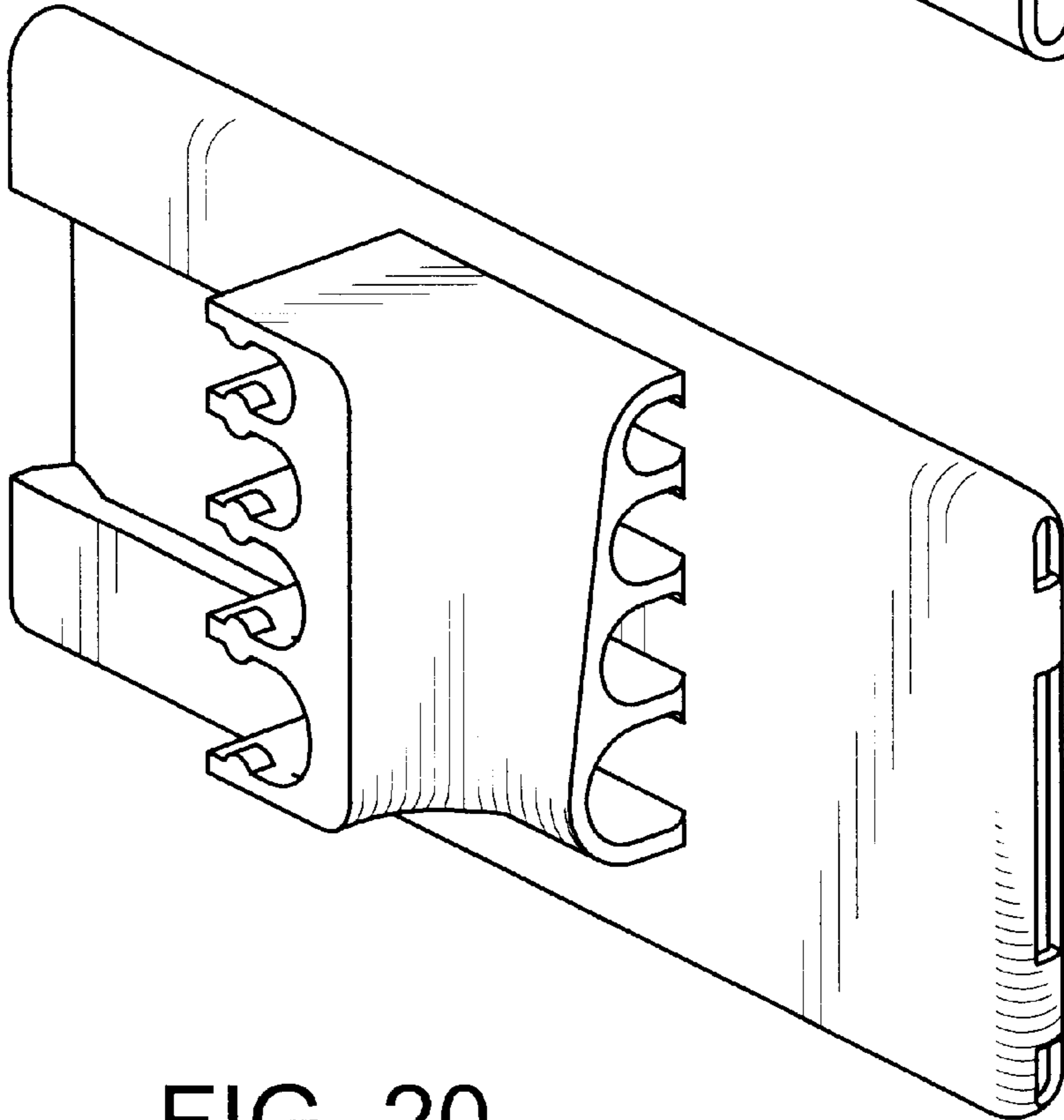
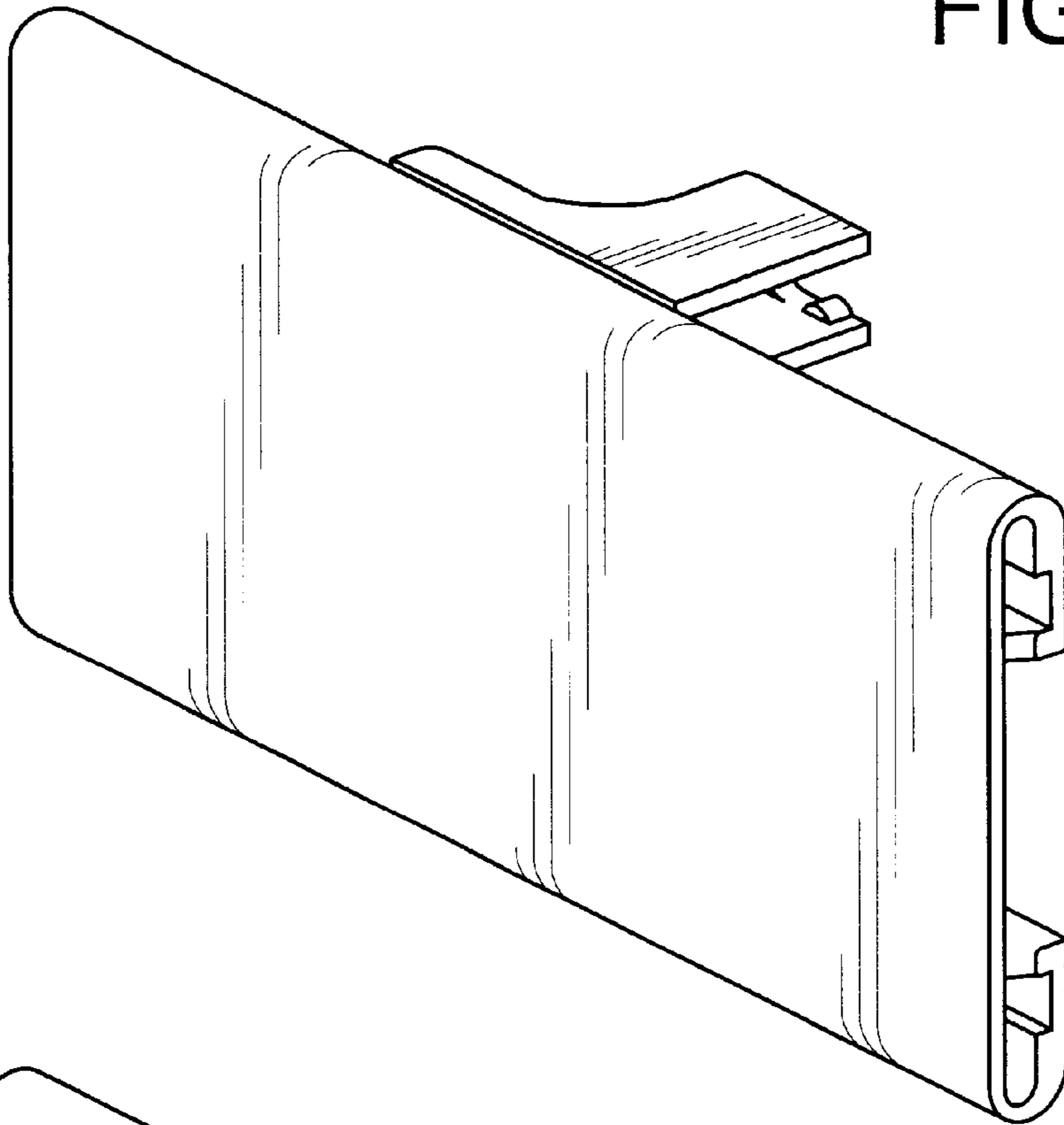


FIG. 20

FIG. 21

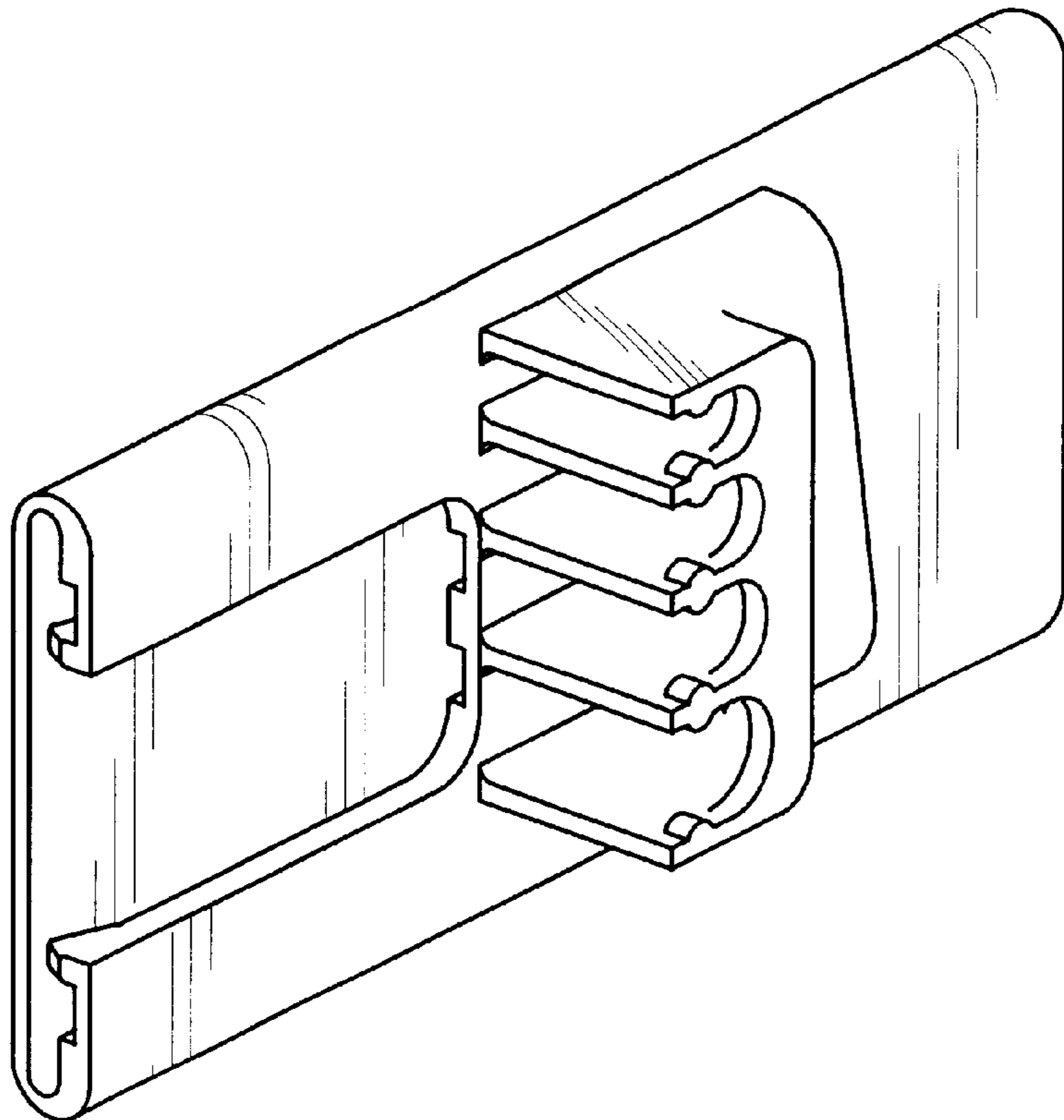
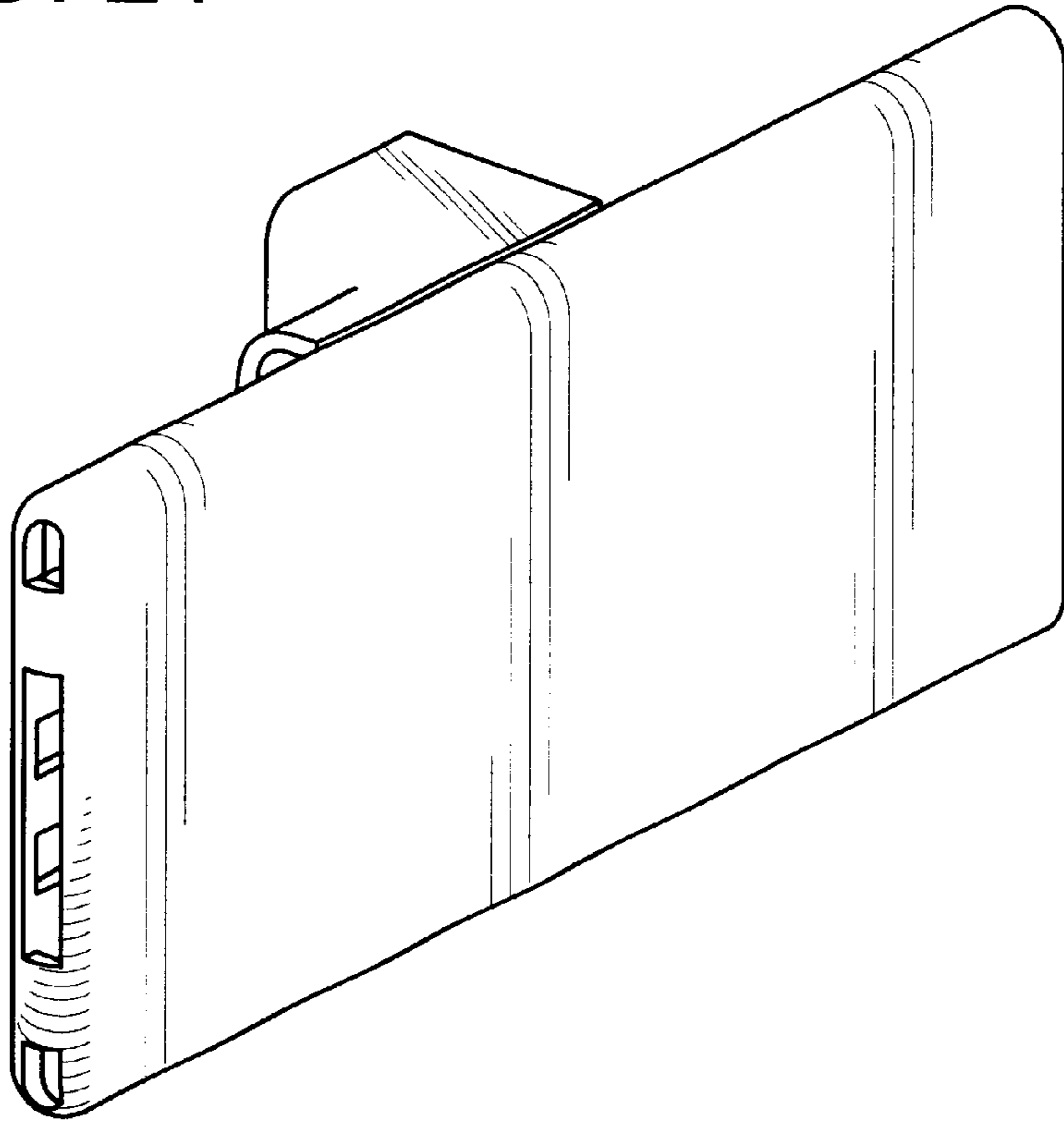


FIG. 22

FIG. 23

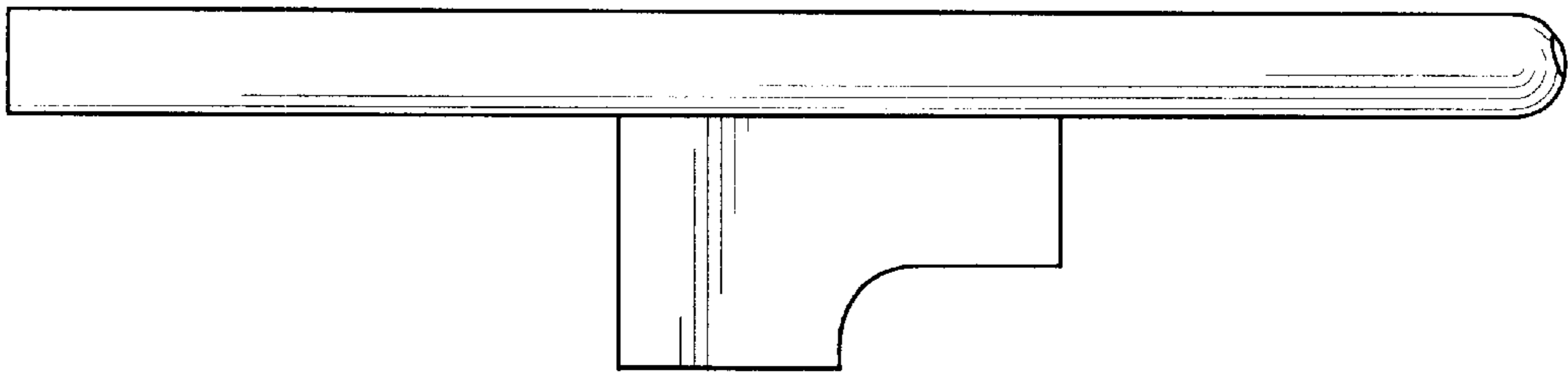


FIG. 24

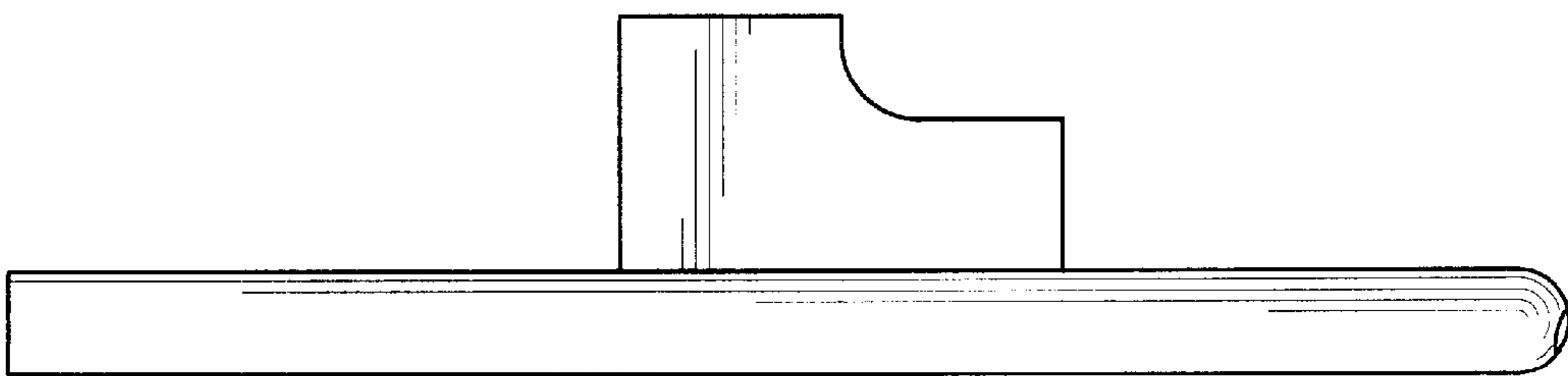
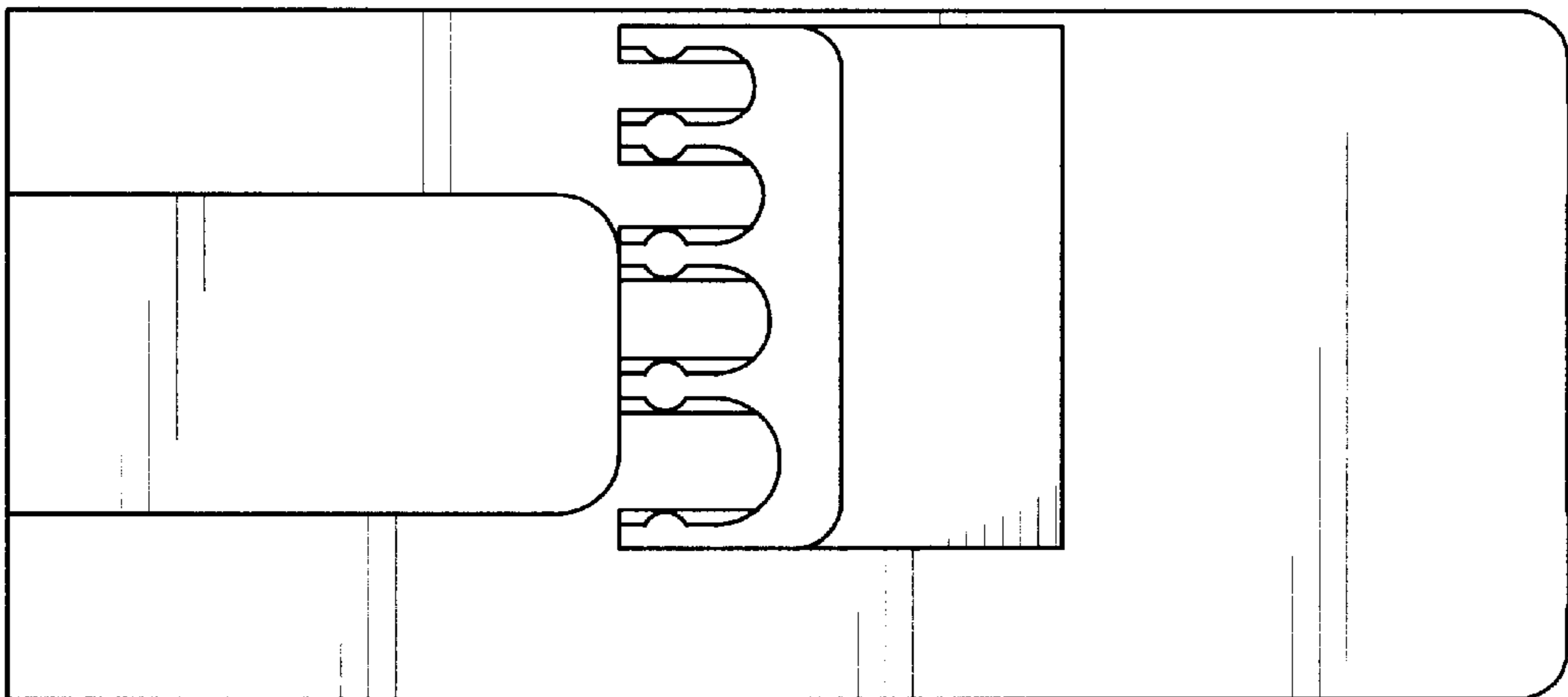


FIG. 25

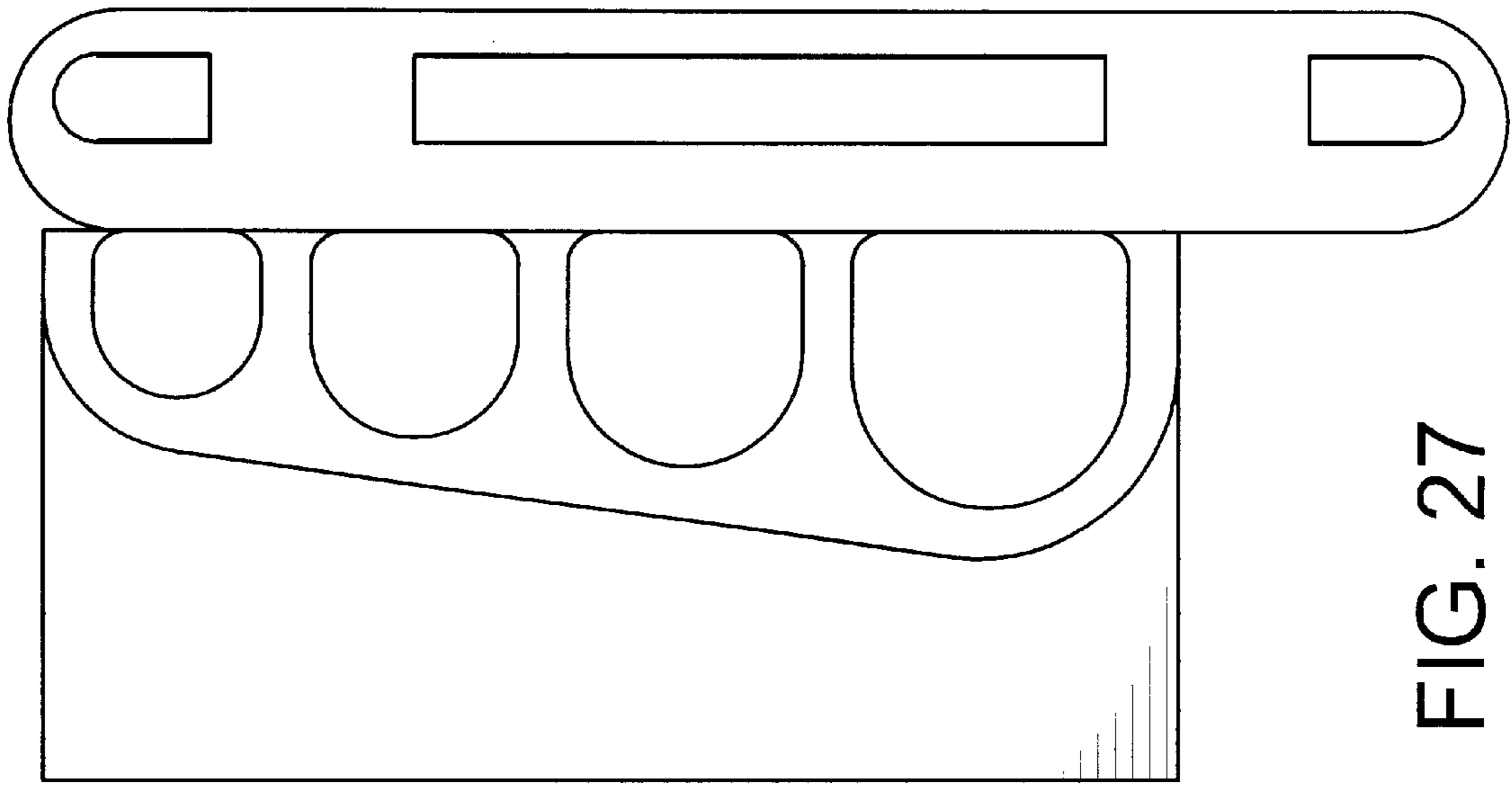


FIG. 27

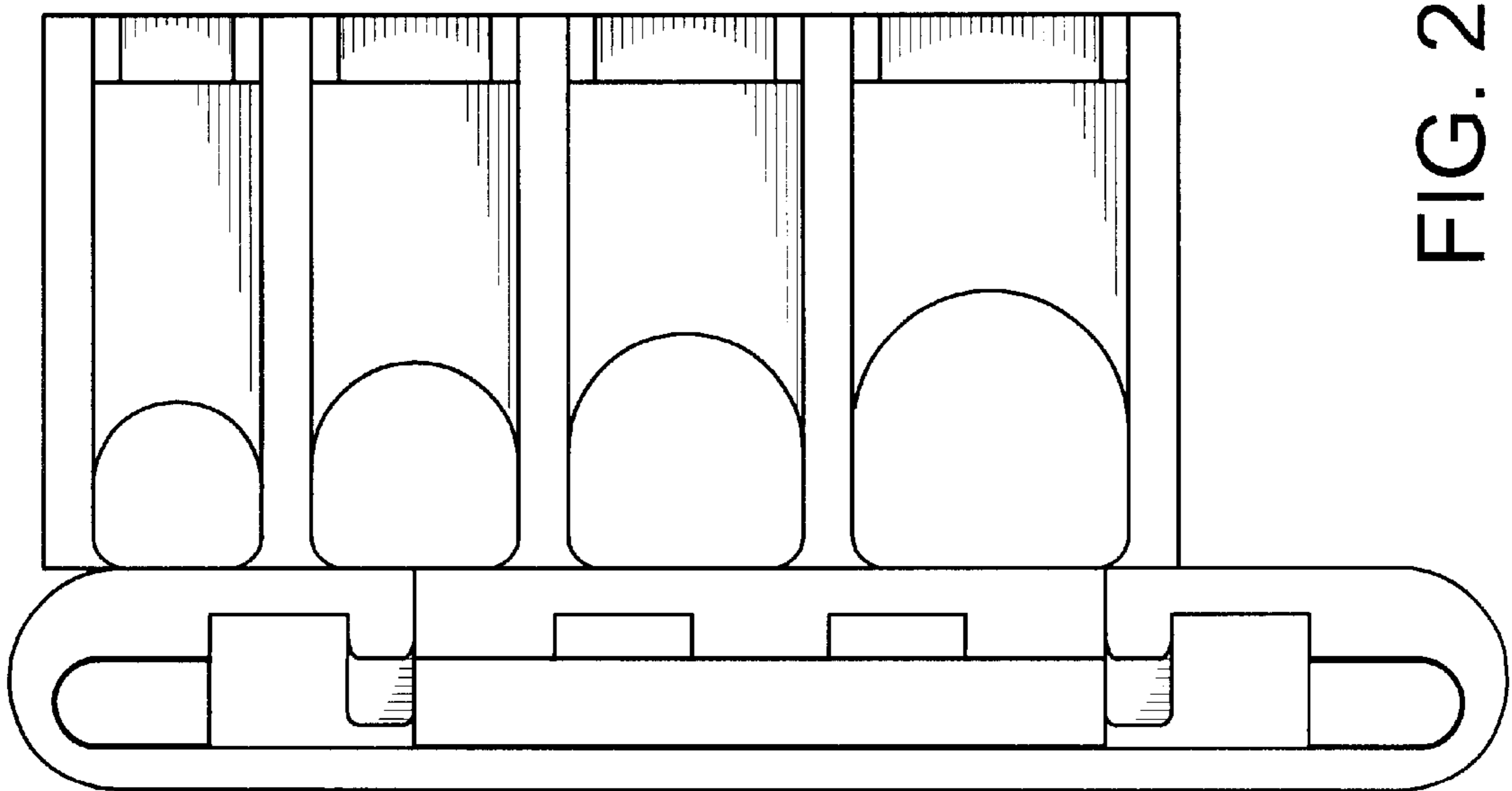


FIG. 26



FIG. 28

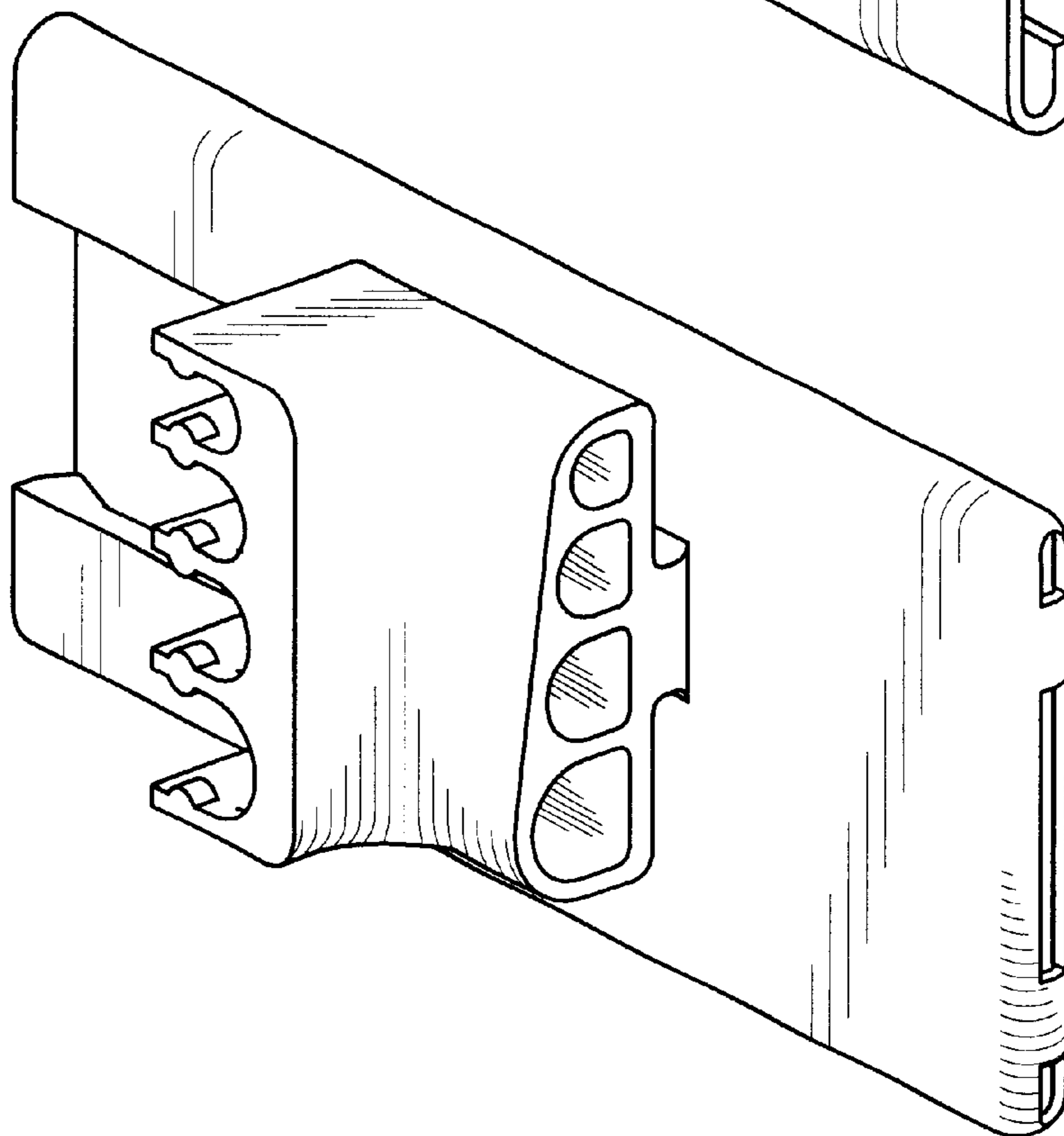
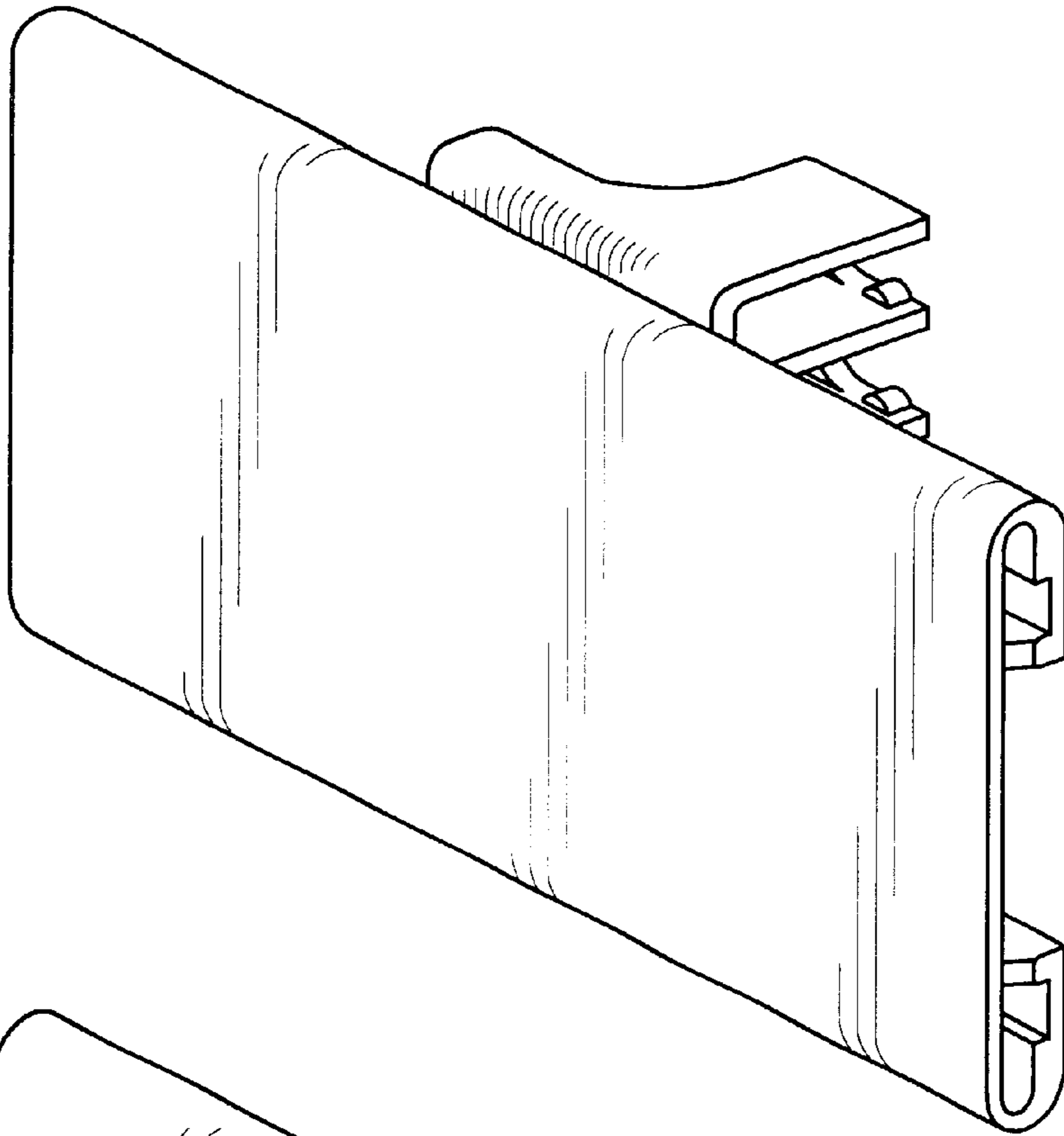


FIG. 29

FIG. 30

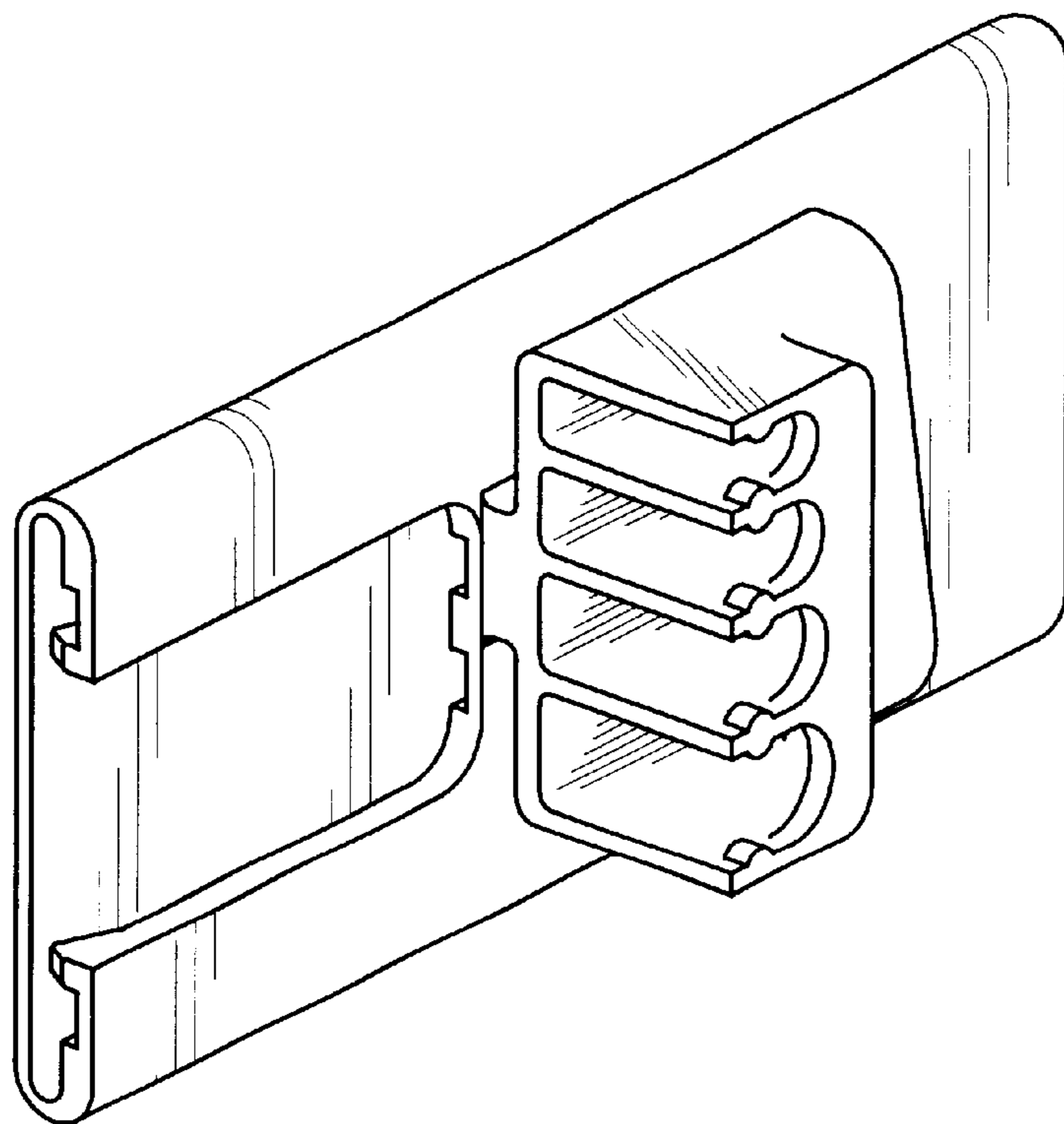
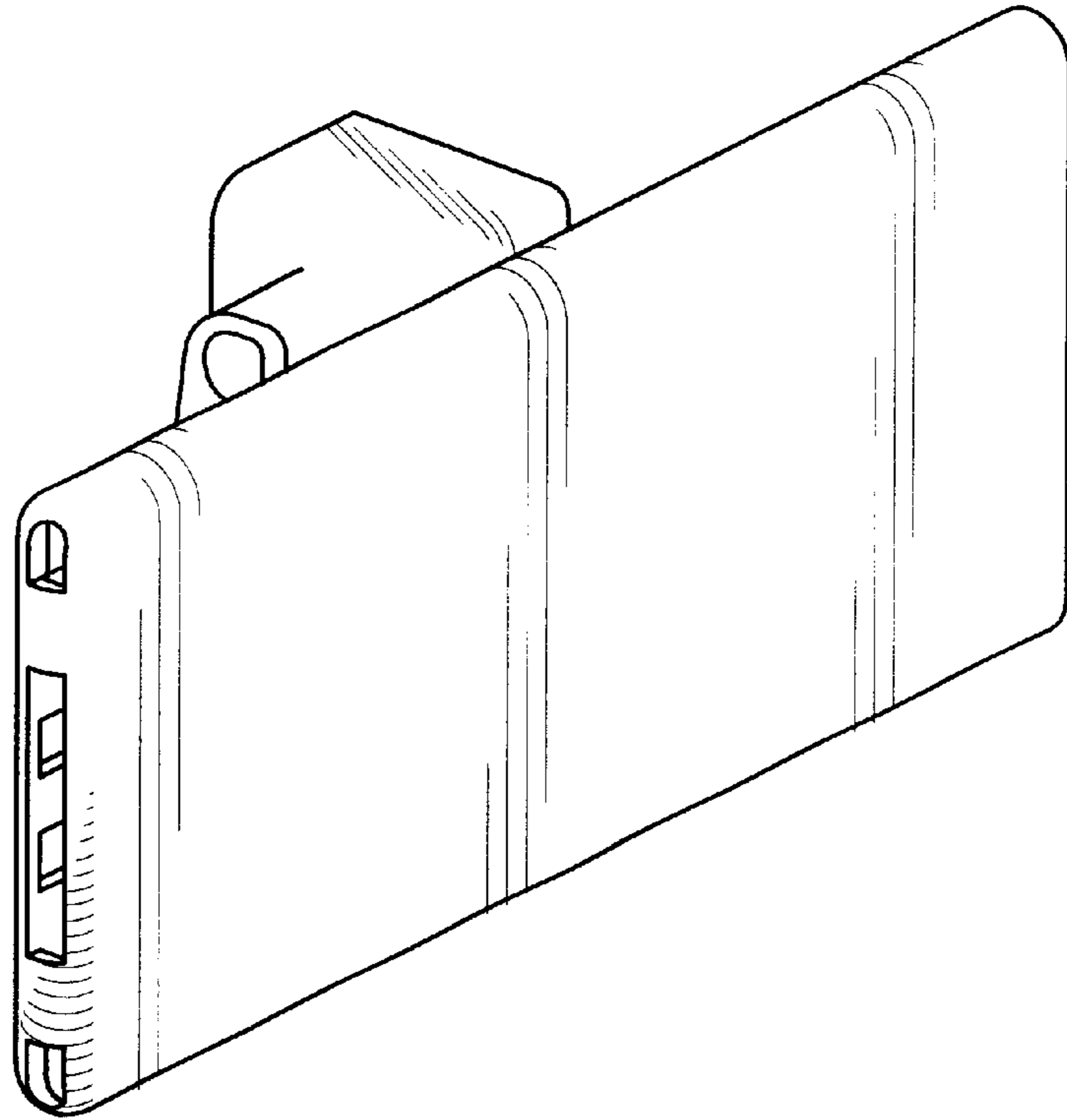


FIG. 31

FIG. 32

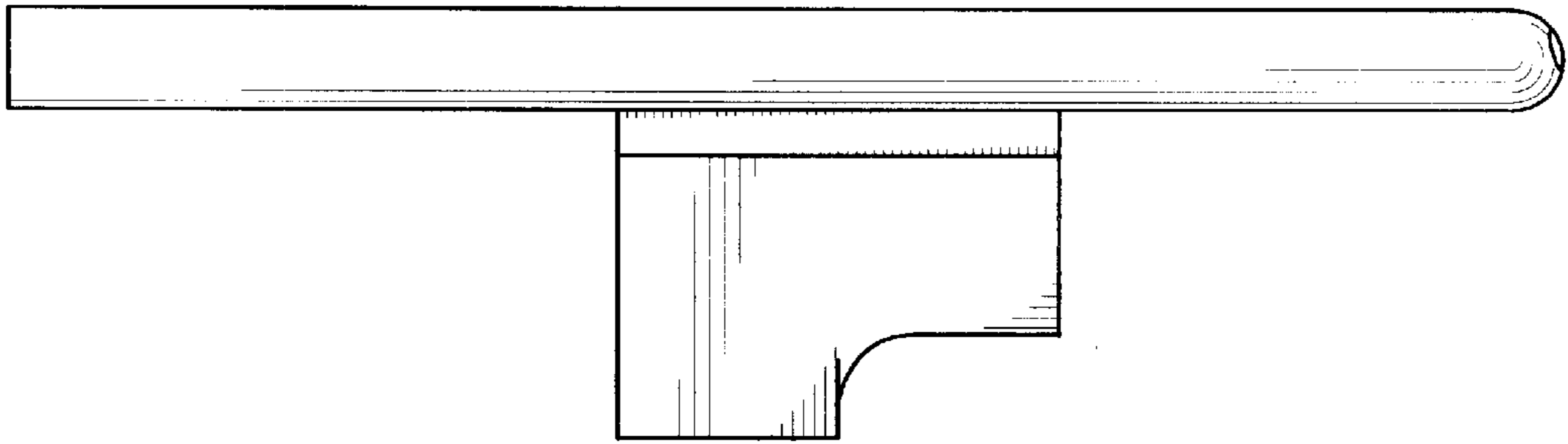


FIG. 33

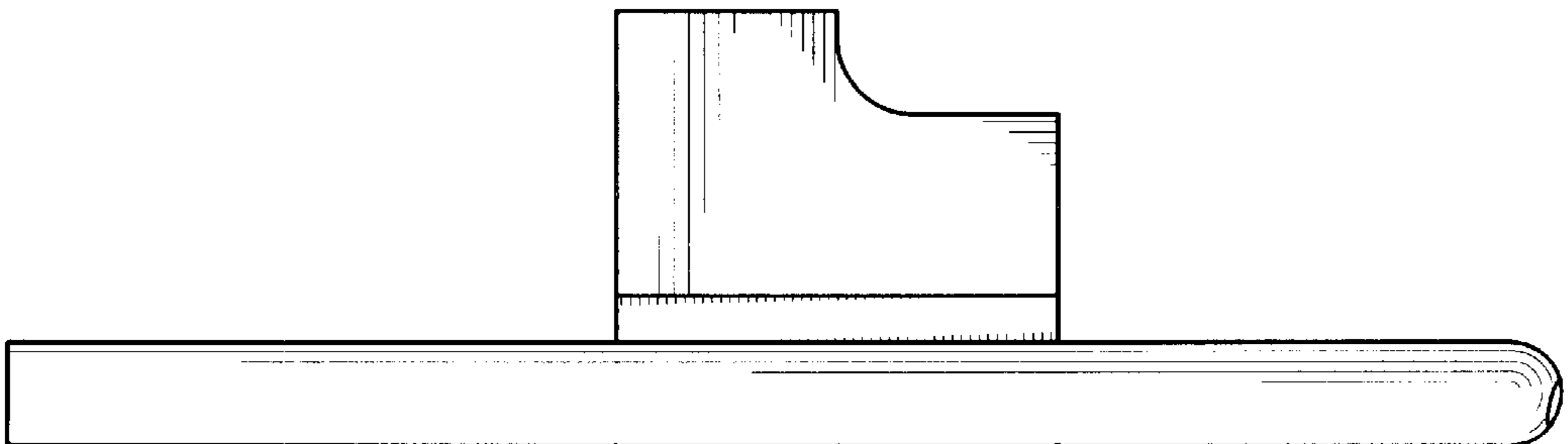
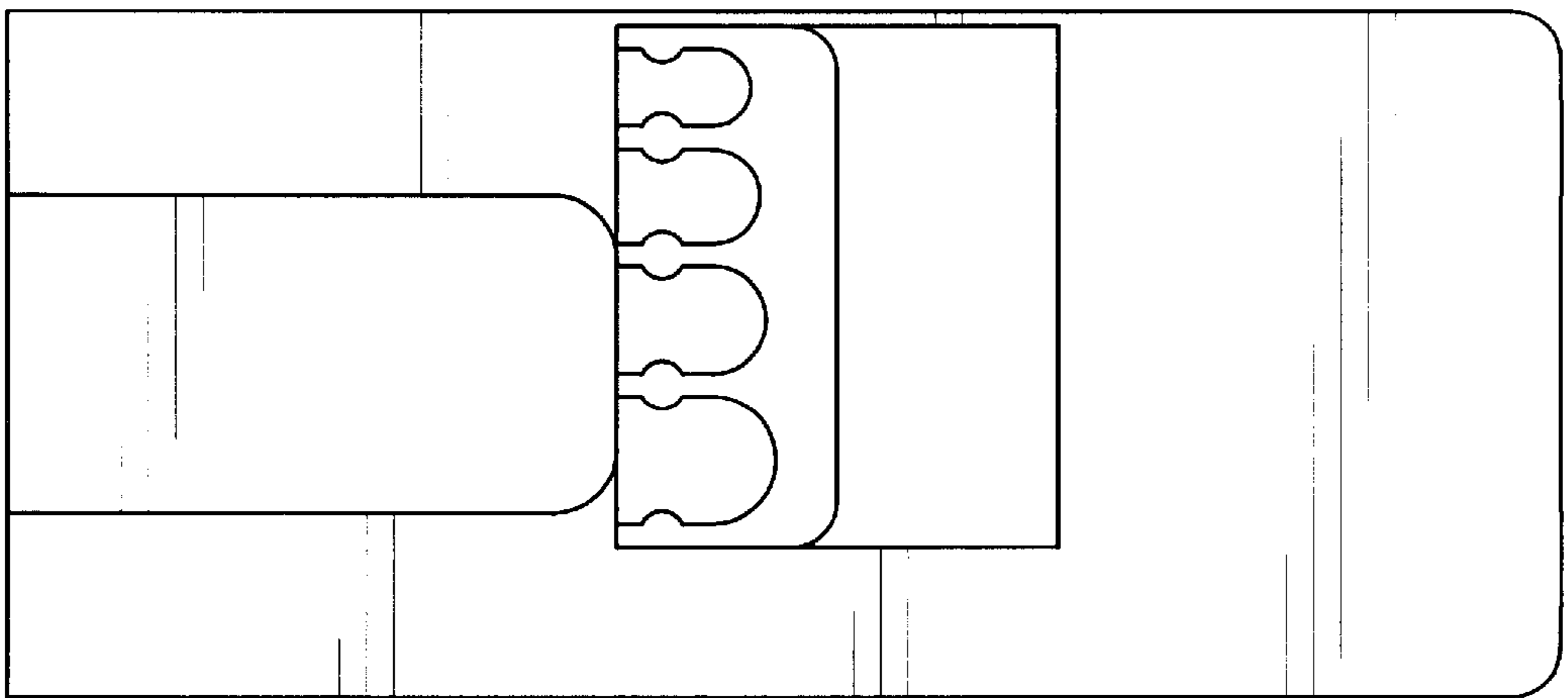


FIG. 34

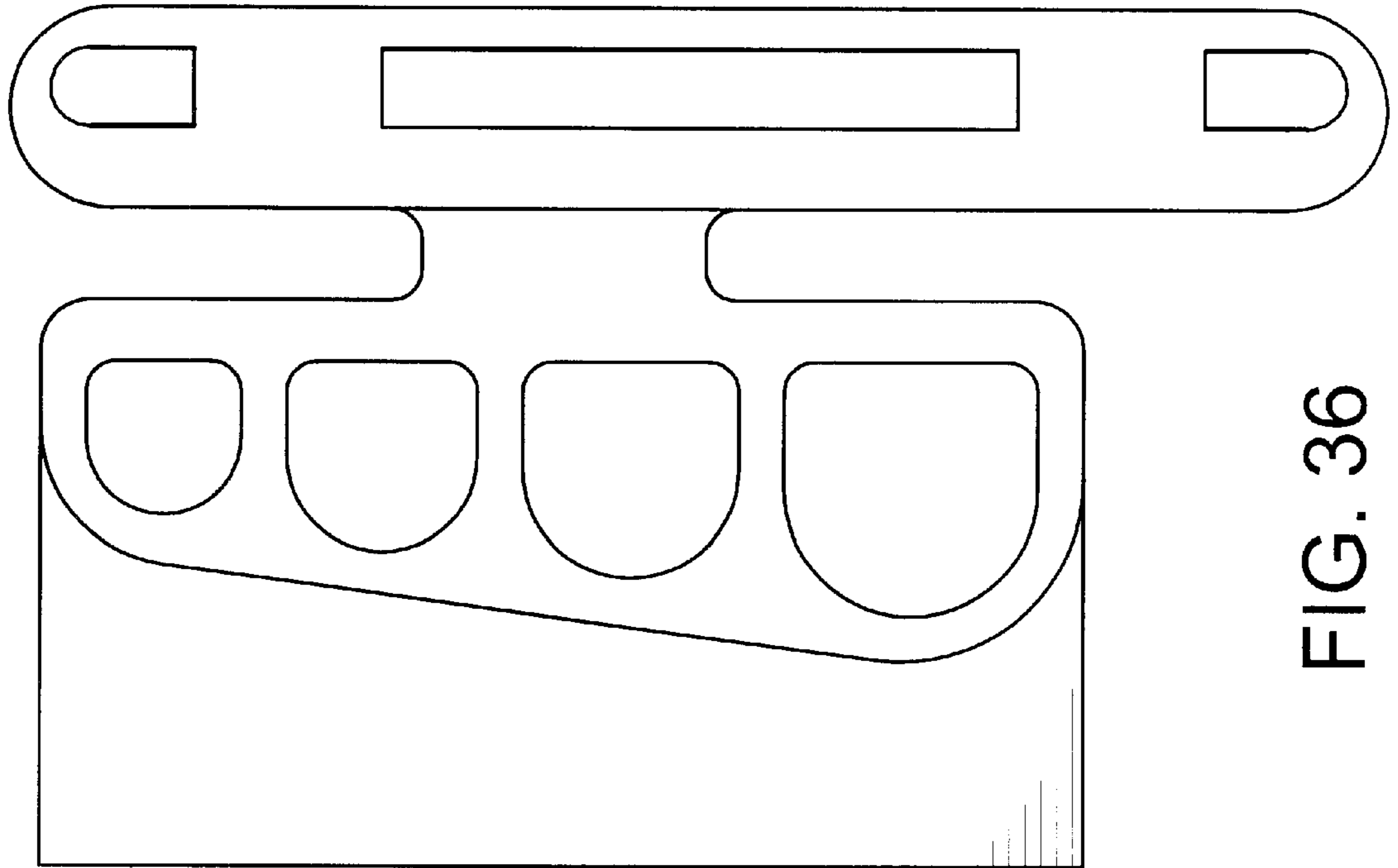


FIG. 36

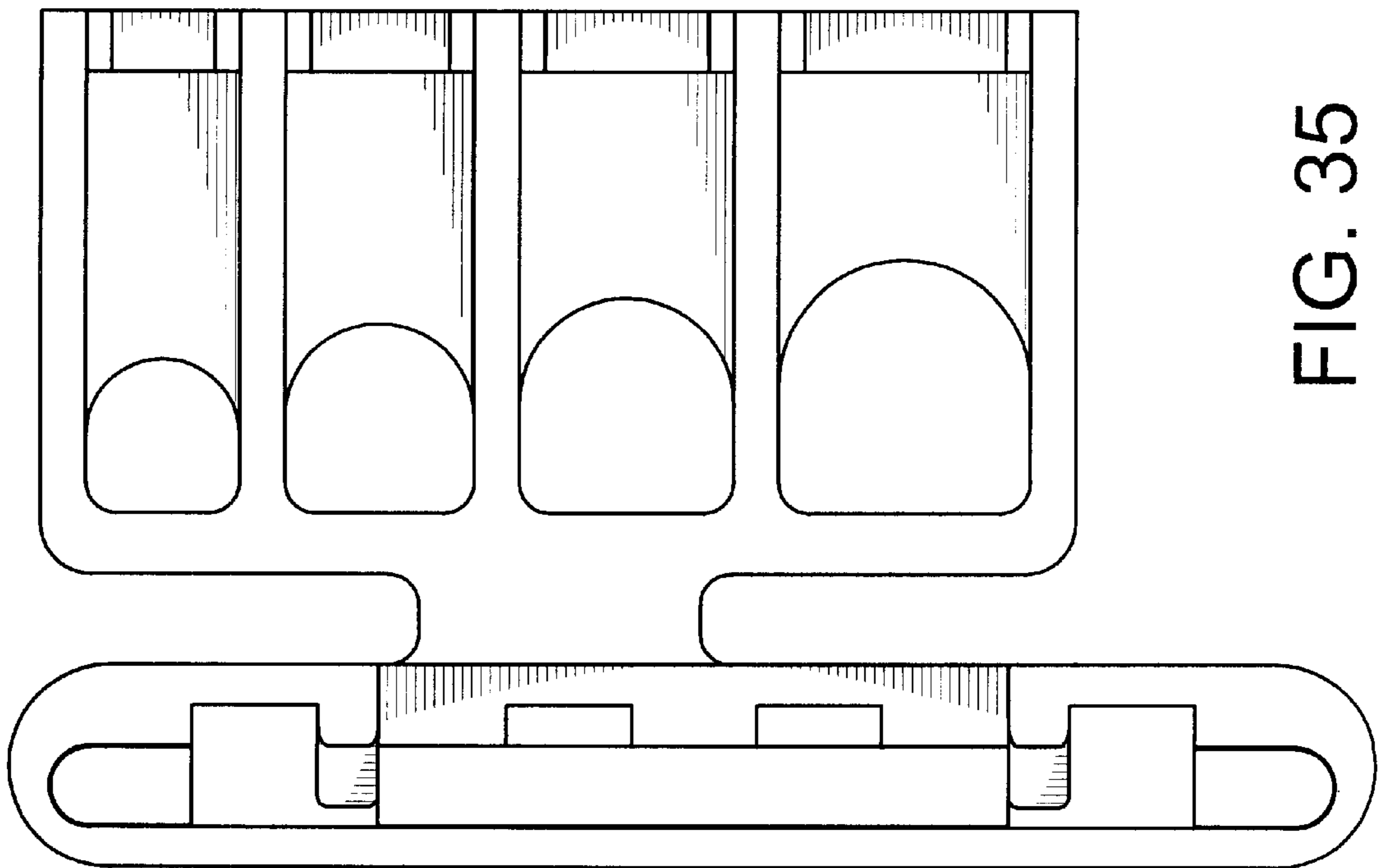


FIG. 35