



US00D472275S

(12) **United States Design Patent**
Grosz

(10) **Patent No.:** **US D472,275 S**

(45) **Date of Patent:** **** Mar. 25, 2003**

(54) **POSTER DISPLAY DEVICE**

(75) Inventor: **Samuel Grosz**, Toronto (CA)

(73) Assignee: **G & S Regal Group**, Toronto (CA)

(**) Term: **14 Years**

(21) Appl. No.: **29/162,244**

(22) Filed: **Jun. 13, 2002**

2,913,209 A	*	11/1959	Arnold	D20/41 X
2,939,236 A	*	6/1960	Stein	D20/41 X
4,134,233 A		1/1979	Orsos		
D285,456 S	*	9/1986	Wiens	D20/39
D308,078 S		5/1990	Dallal et al.		
D360,846 S		8/1995	Kallionpää		
D379,375 S		5/1997	Bowman		
D398,028 S	*	9/1998	Bennett	D20/41
D410,696 S	*	6/1999	Powers	D20/41
D424,734 S	*	5/2000	Gager et al.	D20/41
D441,402 S		5/2001	Chesler		

Related U.S. Application Data

(62) Division of application No. 29/138,632, filed on Mar. 19, 2001.

(51) **LOC (7) Cl.** **20-02**

(52) **U.S. Cl.** **D20/41**

(58) **Field of Search** D10/109, 114;
D19/96; D20/10, 17, 19, 21, 28, 39, 41,
99; 40/606, 607; 174/45 R

(56) **References Cited**

U.S. PATENT DOCUMENTS

1,085,145 A	1/1914	Massey
1,164,909 A	12/1915	Auberlin
1,292,137 A	1/1919	Strout
D60,887 S	4/1922	Tuttle
1,443,247 A	1/1923	Wrightman
1,956,303 A	4/1934	Watson
1,971,661 A	8/1934	Sapio
D124,524 S	1/1941	Benioff
D164,214 S	8/1951	Wiehe

* cited by examiner

Primary Examiner—Robert M. Spear

(74) *Attorney, Agent, or Firm*—Bereskin & Parr

(57) **CLAIM**

The Ornamental Design for a poster display device, as shown and described.

DESCRIPTION

FIG. 1 is an isometric view from the front and to one side of the new design;

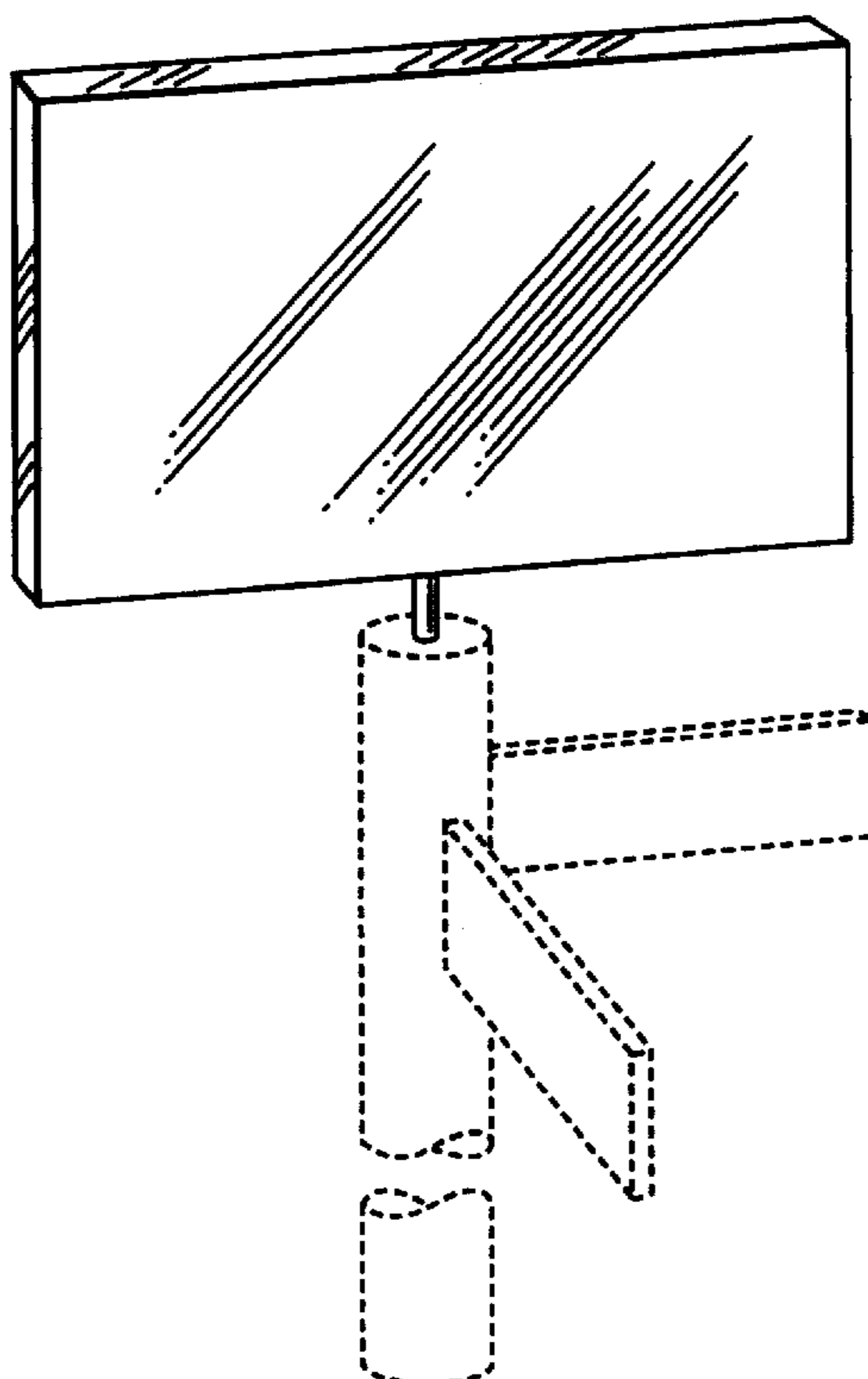
FIG. 2 is a front elevational view thereof;

FIG. 3 is a side elevational view thereof; and,

FIG. 4 is a top plan view thereof.

The broken lines below the device depict a municipal sign post and form no part of the claimed design. It is understood that the supporting structure may also be a street sign, traffic sign, traffic light standard, street light standard, utility pole, transit signpost or any other municipal signpost structure.

1 Claim, 2 Drawing Sheets



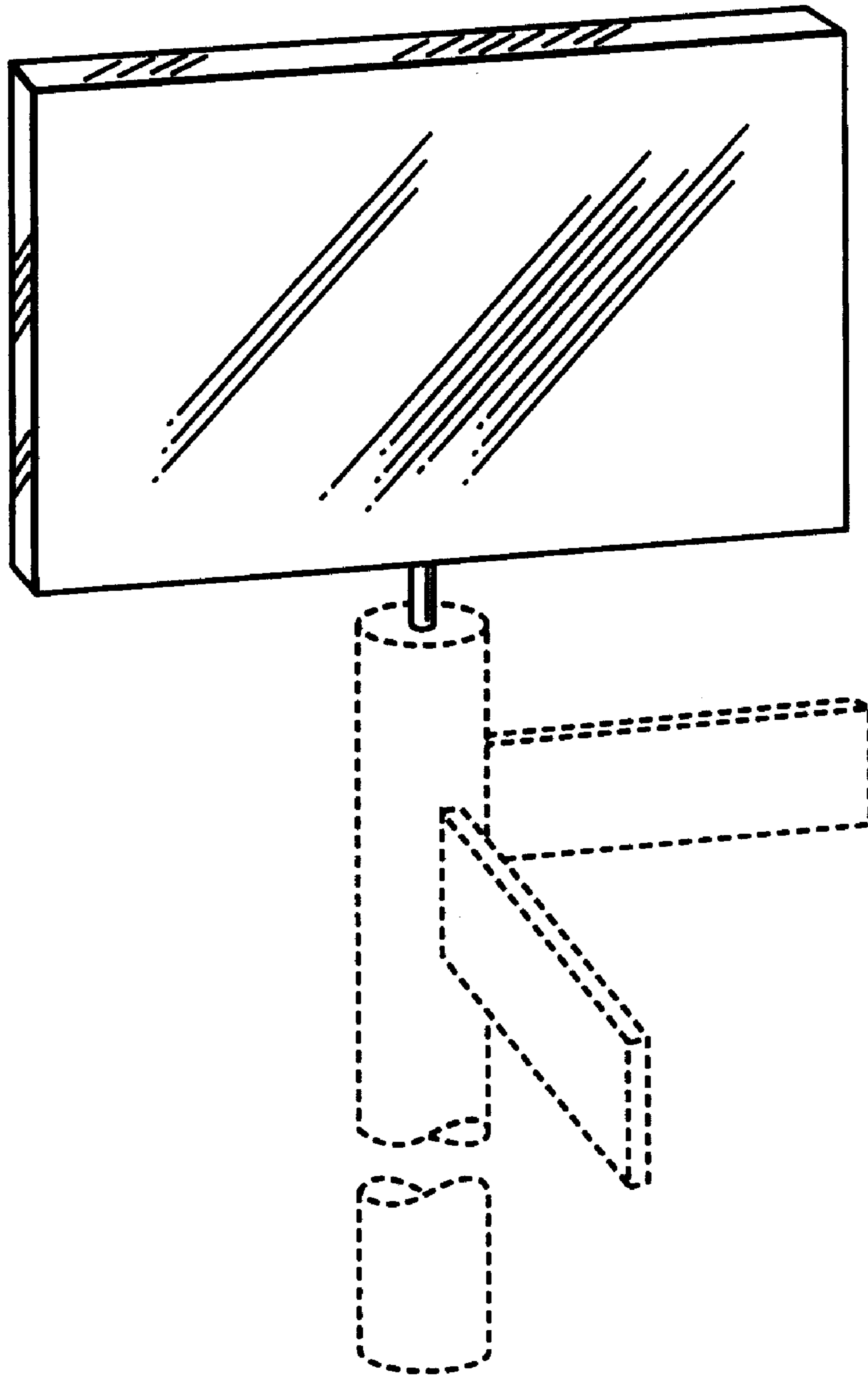


FIG. 1

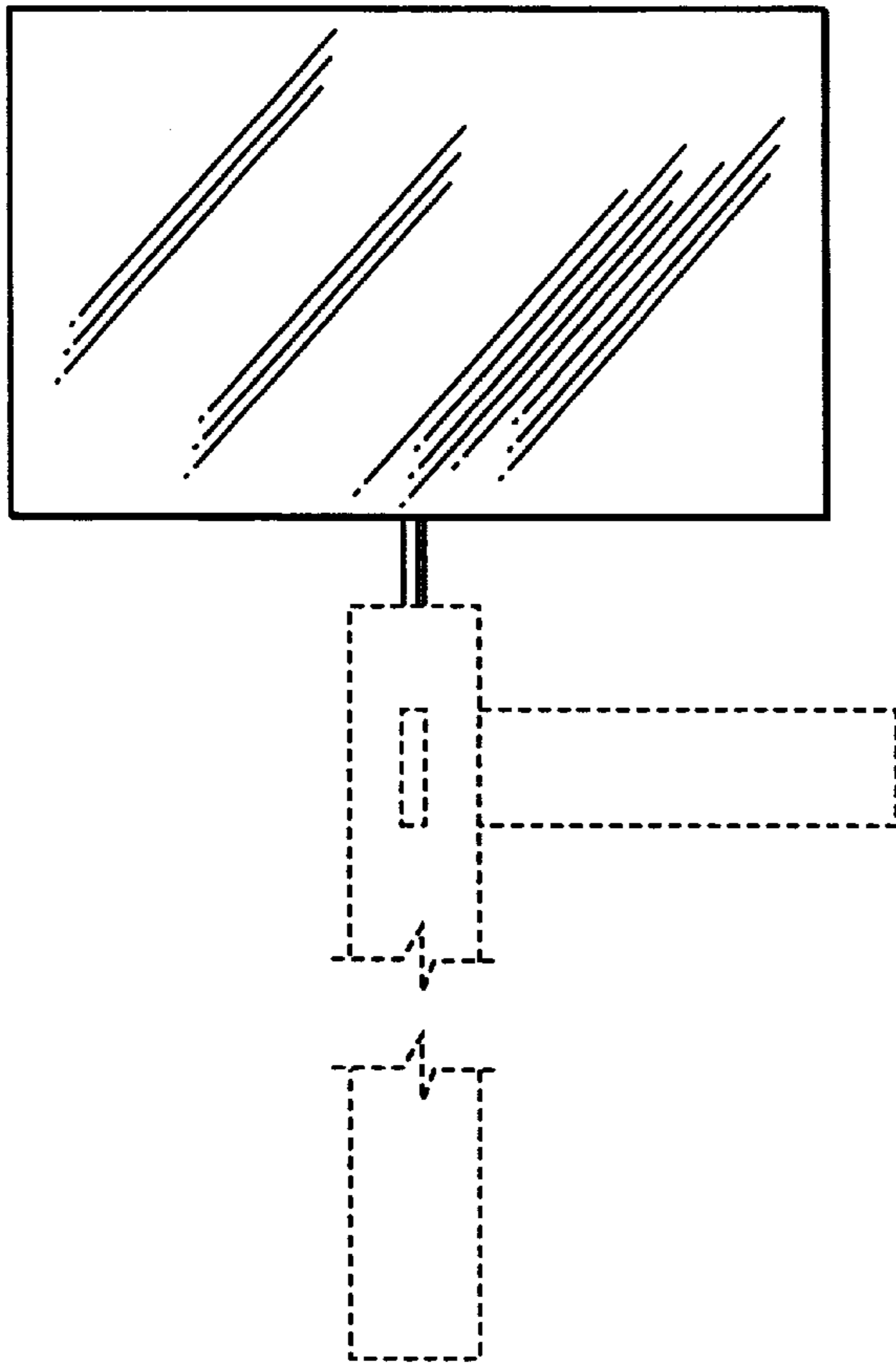


FIG. 2

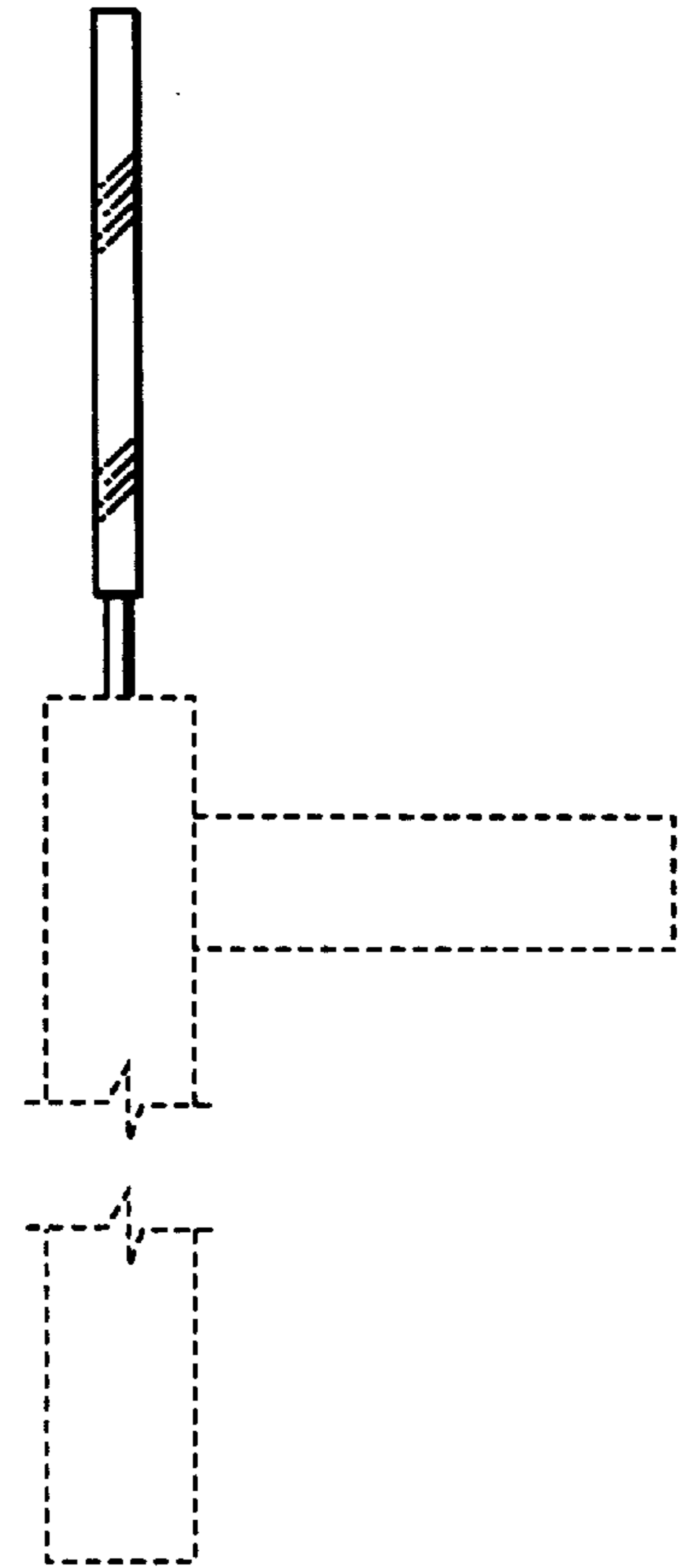


FIG. 3

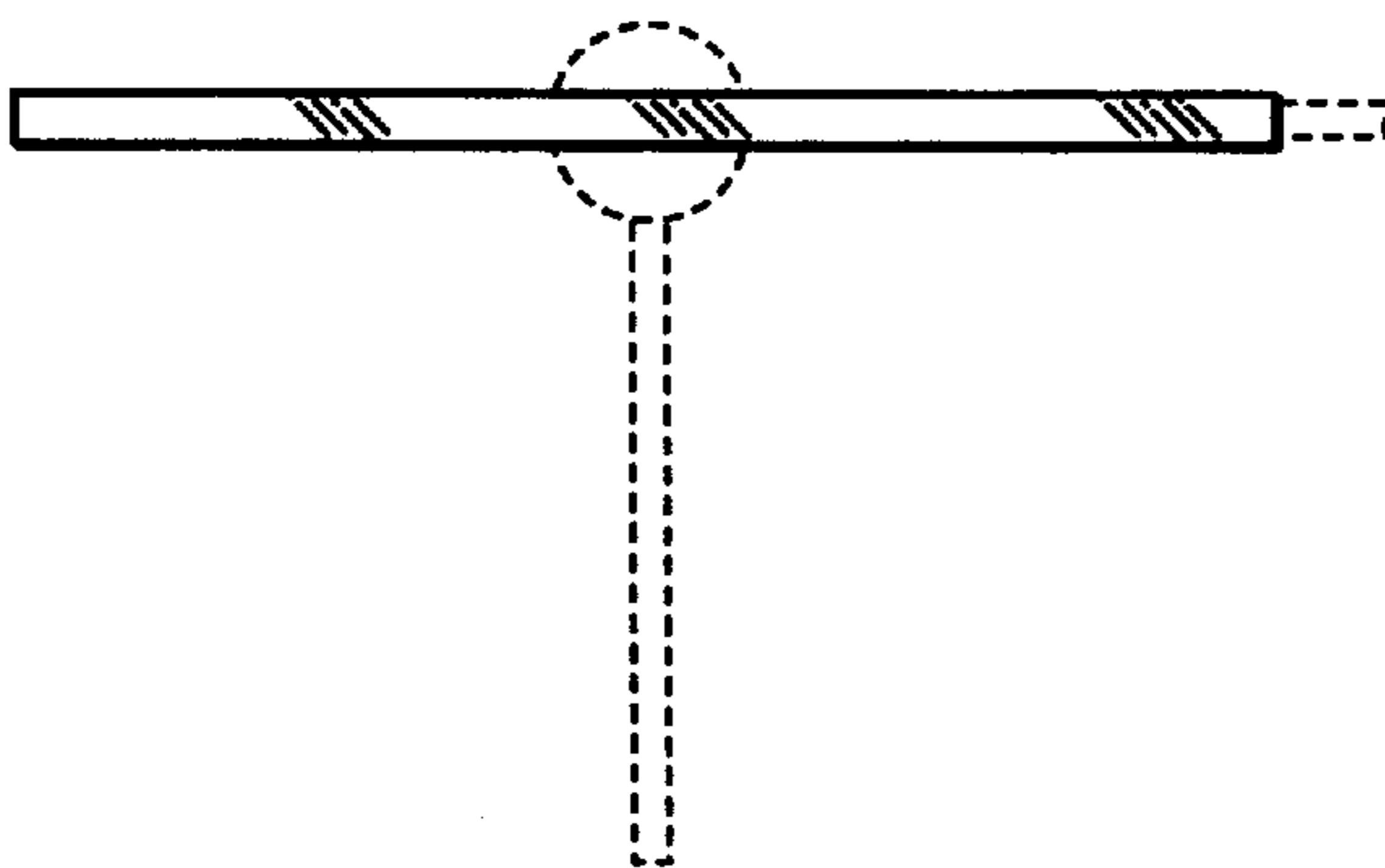


FIG. 4