



US00D472267S

(12) **United States Design Patent**  
**Shimizu et al.**

(10) **Patent No.:** **US D472,267 S**  
(45) **Date of Patent:** **\*\* Mar. 25, 2003**

(54) **INK TANK FOR INK JET RECORDING APPARATUS**  
(75) Inventors: **Eiichiro Shimizu, Yokohama (JP); Hiroshi Koshikawa, Kawasaki (JP); Masanori Takenouchi, Yokohama (JP)**  
(73) Assignee: **Canon Kabushiki Kaisha, Tokyo (JP)**  
(\*\*) Term: **14 Years**  
(21) Appl. No.: **29/157,622**  
(22) Filed: **Mar. 25, 2002**  
(30) **Foreign Application Priority Data**

Sep. 27, 2001 (JP) ..... 2001-028183

(51) **LOC (7) Cl.** ..... **18-02**  
(52) **U.S. Cl.** ..... **D18/56; 347/86**  
(58) **Field of Search** ..... **D18/56, 43; 347/86, 347/87, 50, 99, 33**

(56) **References Cited**

**U.S. PATENT DOCUMENTS**

5,290,346 A *	3/1994	Fujioka	.....	347/99
D371,160 S	6/1996	Kotaki et al.	.....	D18/56
D371,803 S	7/1996	Kawashima et al.	.....	D18/56
D371,804 S	7/1996	Kotaki et al.	.....	D18/56
D372,045 S	7/1996	Tokuda et al.	.....	D18/56
D372,265 S	7/1996	Tokuda et al.	.....	D18/56
D372,266 S	7/1996	Tokuda et al.	.....	D18/56
D372,267 S	7/1996	Tokuda et al.	.....	D18/56
D372,494 S	8/1996	Tokuda et al.	.....	D18/56
D373,138 S	8/1996	Tokuda et al.	.....	D18/56
D374,890 S	10/1996	Tokuda et al.	.....	D18/56
D375,120 S	10/1996	Kotaki et al.	.....	D18/56
D375,521 S	11/1996	Tokuda et al.	.....	D18/56
D375,522 S	11/1996	Tokuda et al.	.....	D18/56
D375,755 S	11/1996	Tokuda et al.	.....	D18/56

D376,172 S	12/1996	Takenouchi et al.	.....	D18/56
D376,173 S	12/1996	Tokuda et al.	.....	D18/56
D376,174 S	12/1996	Tokuda et al.	.....	D18/56
D376,385 S *	12/1996	Tashiro et al.	.....	D18/56
D377,371 S	1/1997	Tokuda et al.	.....	D18/56
D378,758 S	4/1997	Tokuda et al.	.....	D18/56
5,638,099 A *	6/1997	Nguyen et al.	.....	347/33
D381,681 S	7/1997	Takenouchi et al.	.....	D18/56
D395,445 S	6/1998	Tokuda et al.	.....	D18/56
D409,236 S *	5/1999	Fujii et al.	.....	D18/56
D411,568 S *	6/1999	Steinmetz et al.	.....	D18/56
D423,569 S *	4/2000	Gassett et al.	.....	D18/56
D430,603 S *	9/2000	Maeda et al.	.....	D18/56
D435,861 S *	1/2001	Kotaki et al.	.....	D18/56
D437,611 S *	2/2001	Gassett et al.	.....	D18/56
6,293,652 B1 *	9/2001	Arashima et al.	.....	347/86

\* cited by examiner

*Primary Examiner*—Cathy Anne MacCormac  
(74) *Attorney, Agent, or Firm*—Fitzpatrick, Cella, Harper & Scinto

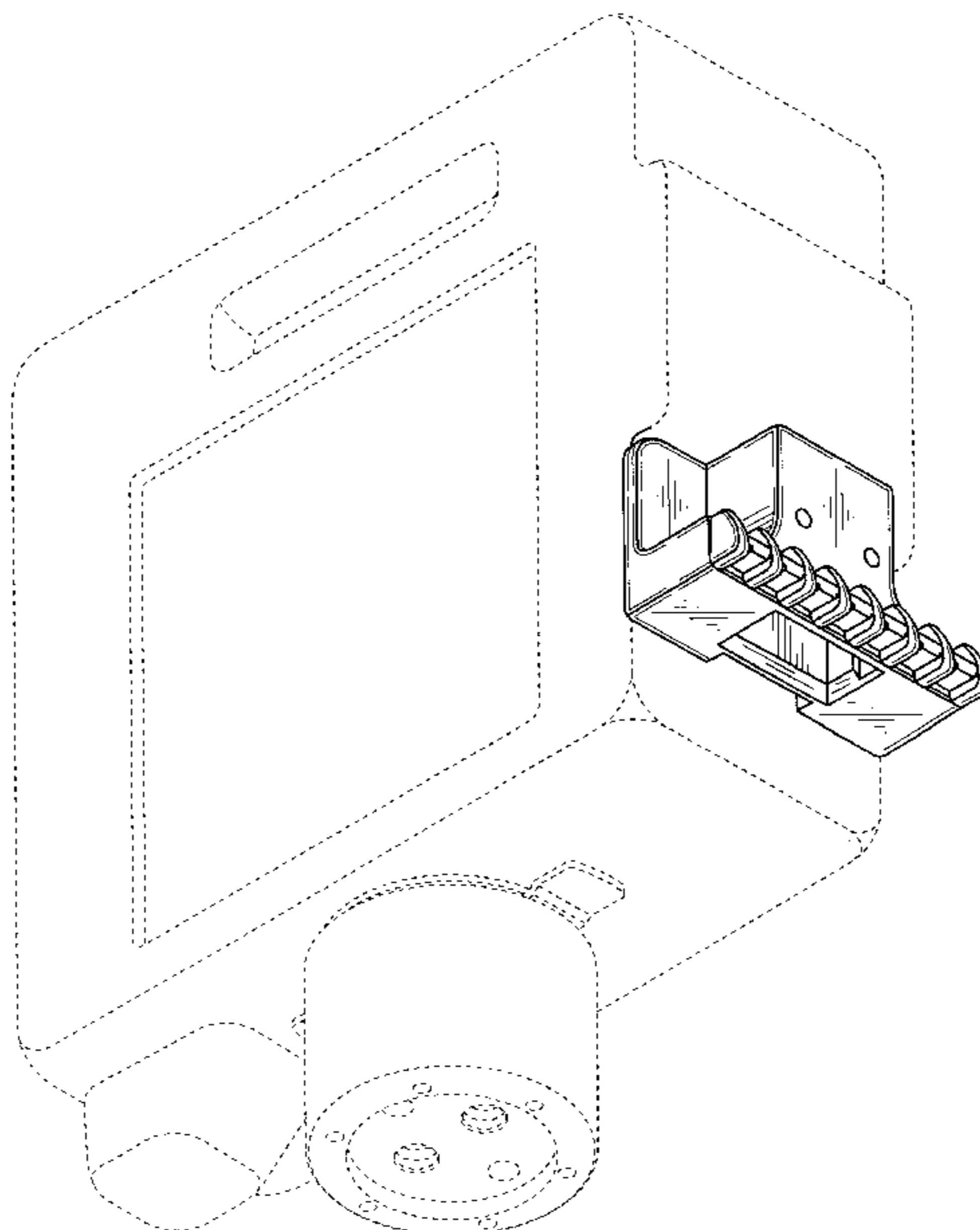
(57) **CLAIM**

The ornamental design for an ink tank for ink jet recording apparatus, as shown and described.

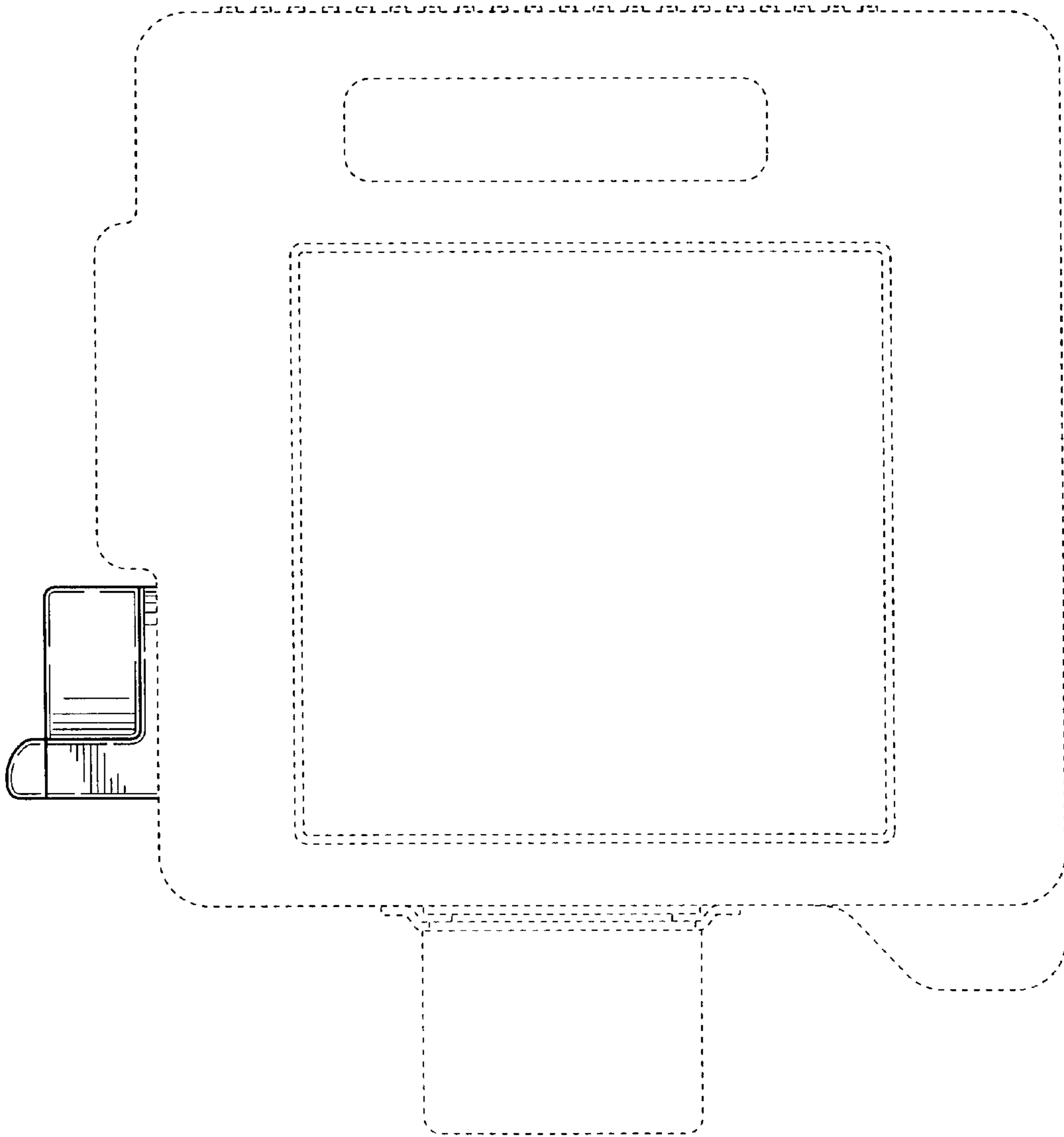
**DESCRIPTION**

FIG. 1 is a front view of an ink tank for ink jet recording apparatus showing our new design;  
FIG. 2 is a rear view thereof;  
FIG. 3 is a top plan view thereof;  
FIG. 4 is a bottom plan view thereof;  
FIG. 5 is a left side view thereof;  
FIG. 6 is a right side view thereof; and,  
FIG. 7 is a perspective view thereof.  
The broken lines are for purposes of illustration only and form no part of the claimed design.

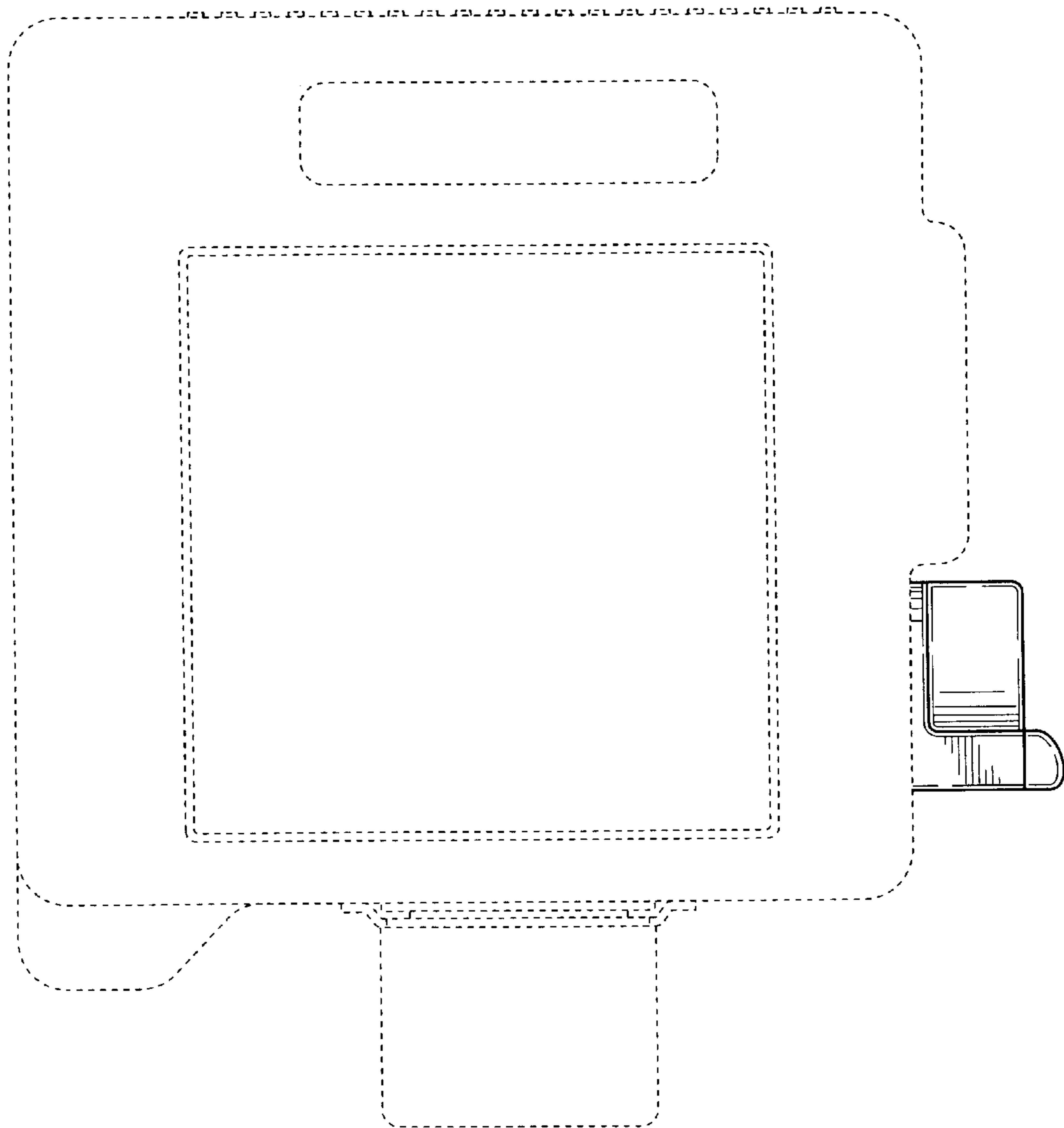
**1 Claim, 5 Drawing Sheets**



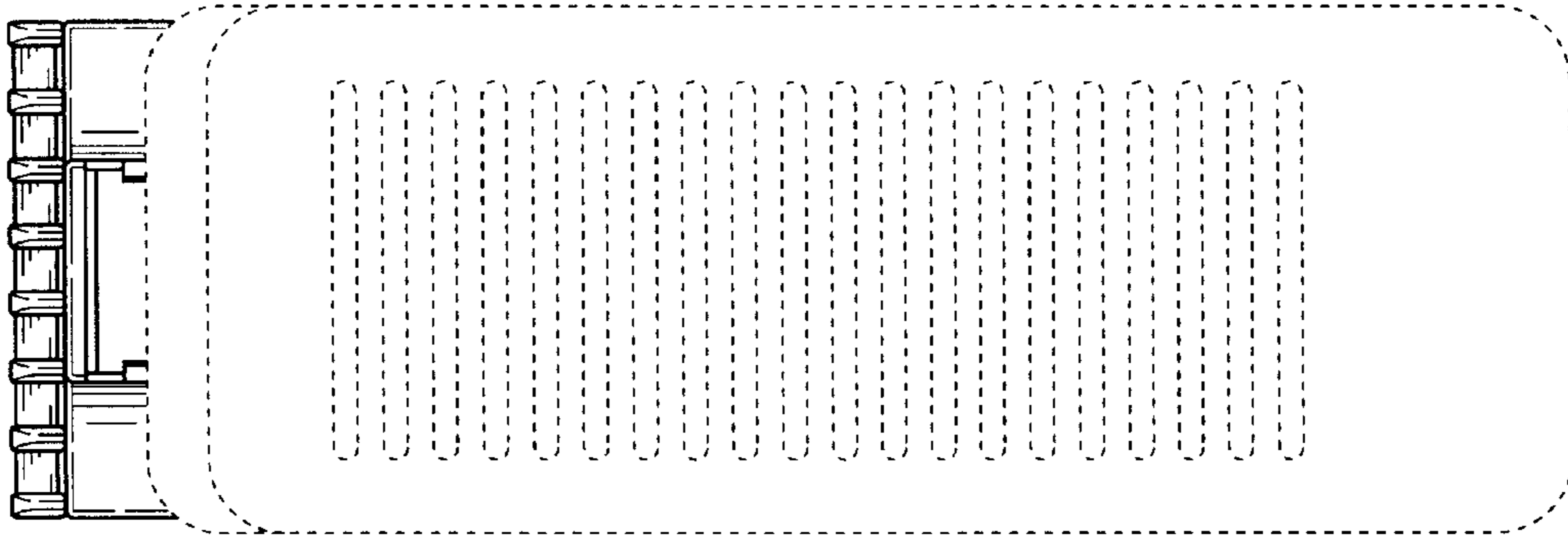
*FIG. 1*



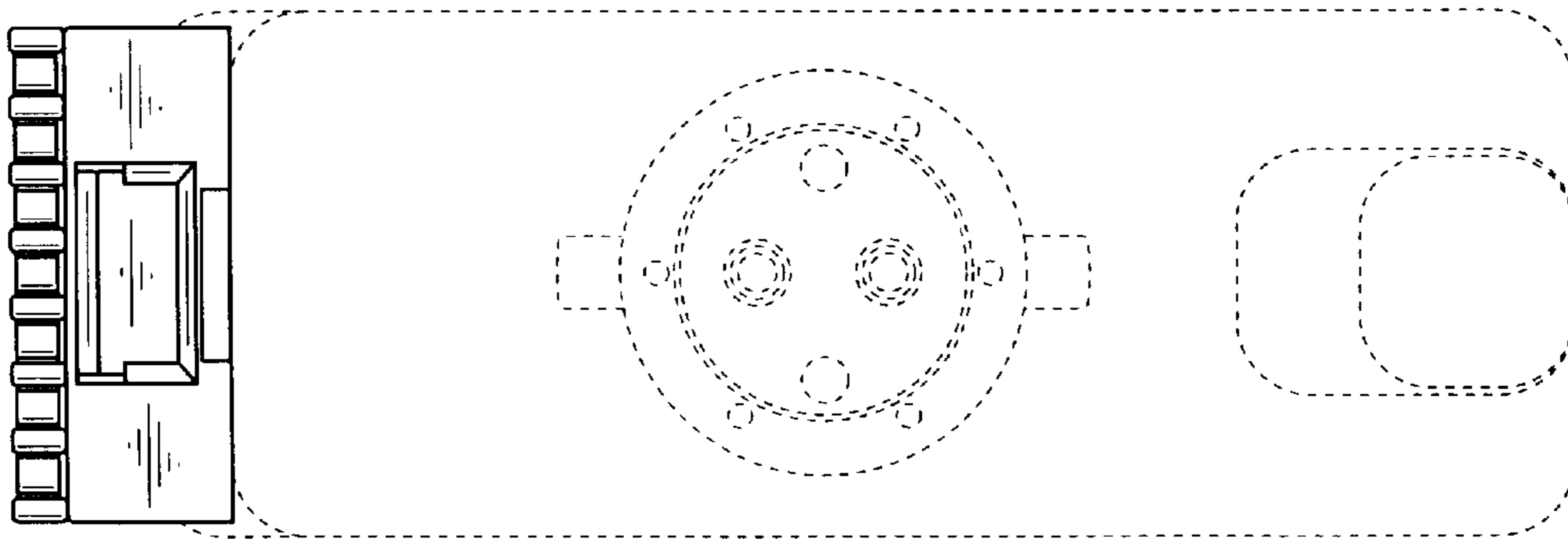
*FIG. 2*



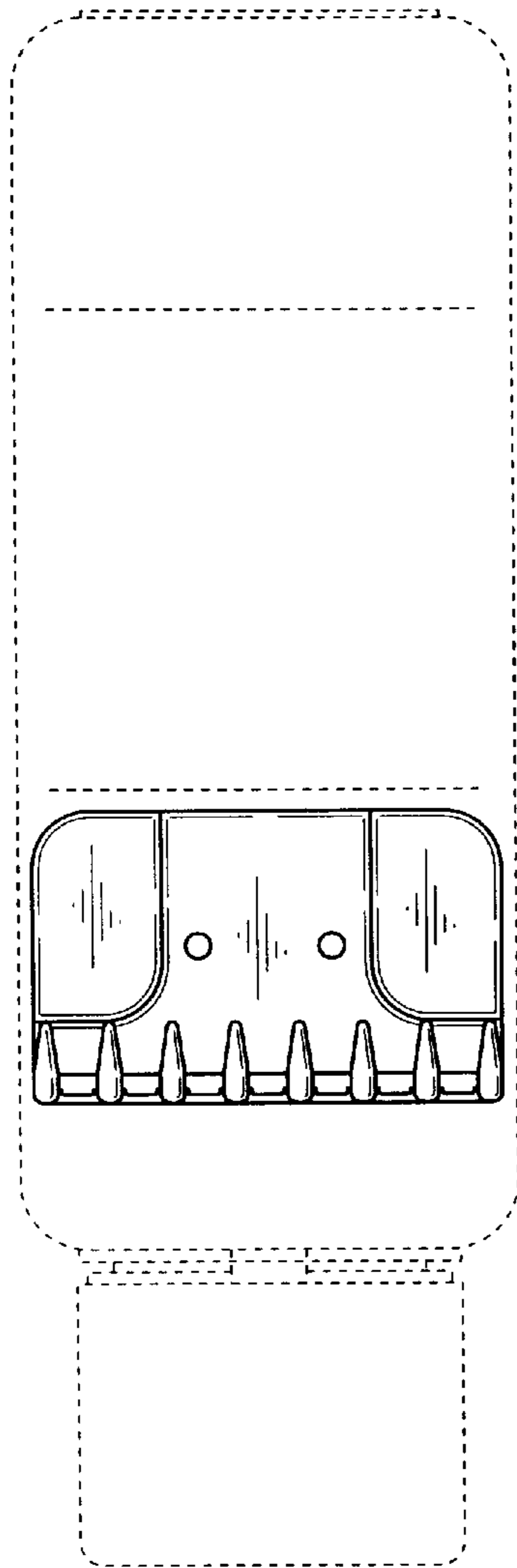
*FIG. 3*



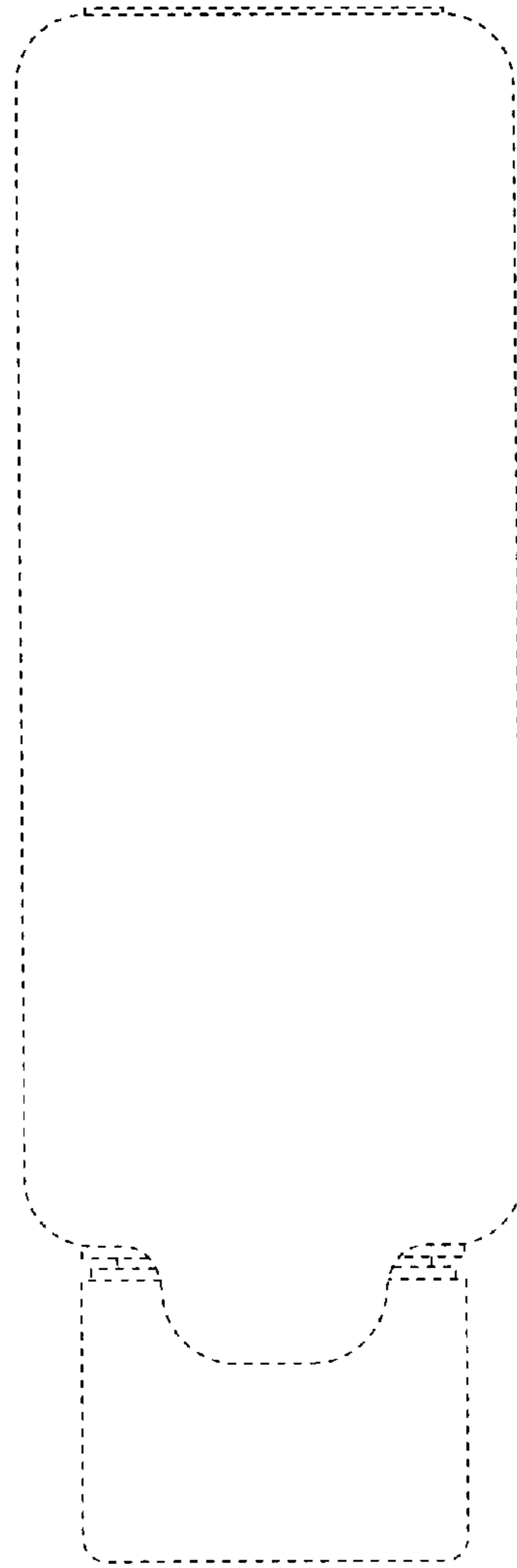
*FIG. 4*



*FIG. 5*



*FIG. 6*



*FIG. 7*

