



US00D472266S

(12) **United States Design Patent**
Khovaylo et al.

(10) **Patent No.:** **US D472,266 S**

(45) **Date of Patent:** **** Mar. 25, 2003**

(54) **DOCUMENT FEEDER FOR AN OPTICAL SCANNER**

(75) Inventors: **Modest Khovaylo**, Fort Collins, CO (US); **Robert A Baum**, Fort Collins, CO (US); **Steven Vordenberg**, New York, NY (US)

(73) Assignee: **Hewlett-Packard Company**, Palo Alto, CA (US)

(**) Term: **14 Years**

(21) Appl. No.: **29/151,297**

(22) Filed: **Dec. 7, 2001**

(51) **LOC (7) Cl.** **18-99**

(52) **U.S. Cl.** **D18/49; D14/425**

(58) **Field of Search** D14/420-422, D14/424, 425, 428; D18/49, 54, 36; 250/556, 234; 355/64, 65, 75, 81; 235/470, 476, 482, 483; 328/408, 472, 474, 497; 399/17

(56) **References Cited**

U.S. PATENT DOCUMENTS

- 4,620,782 A * 11/1986 Kurando et al. 399/17
- D314,789 S * 2/1991 Hirata et al. D18/49
- D336,078 S 6/1993 Khovaylo
- D337,606 S 7/1993 Khovaylo
- D380,204 S * 6/1997 Kogoh et al. D14/425
- D385,859 S * 11/1997 Imura D14/425
- D403,698 S * 1/1999 Kobayashi et al. D18/49
- D412,496 S 8/1999 Khovaylo et al.
- D415,127 S * 10/1999 Ueda D14/425
- D421,622 S 3/2000 Khovaylo et al.
- D421,746 S 3/2000 Khovaylo et al.
- 6,065,747 A 5/2000 Khovaylo et al.
- D443,277 S 6/2001 Khovaylo et al.
- D444,150 S 6/2001 Khovaylo et al.

- D447,142 S 8/2001 Khovaylo et al.
- D448,383 S 9/2001 Khovaylo et al.
- D449,063 S 10/2001 Khovaylo et al.
- D450,052 S * 11/2001 Khovaylo et al. D14/425
- D450,668 S 11/2001 Khovaylo et al.
- D456,412 S 4/2002 Khovaylo et al.

OTHER PUBLICATIONS

U.S. Design patent application Ser. No. 29/151,299 filed Dec. 7, 2001 for "Optical Scanner" of Modest Khovaylo and Scott Henderson.

U.S. Design patent application Ser. No. 29/151,298 filed Dec. 7, 2001 for "Optical Scanner" of Modest Khovaylo and Steven Vordenberg.

U.S. Design patent application Ser. No. 29/151,300, filed Dec. 7, 2001 for "Optical Scanner" of Modest Khovaylo and Allen Zadeh.

* cited by examiner

Primary Examiner—Freda Nunn

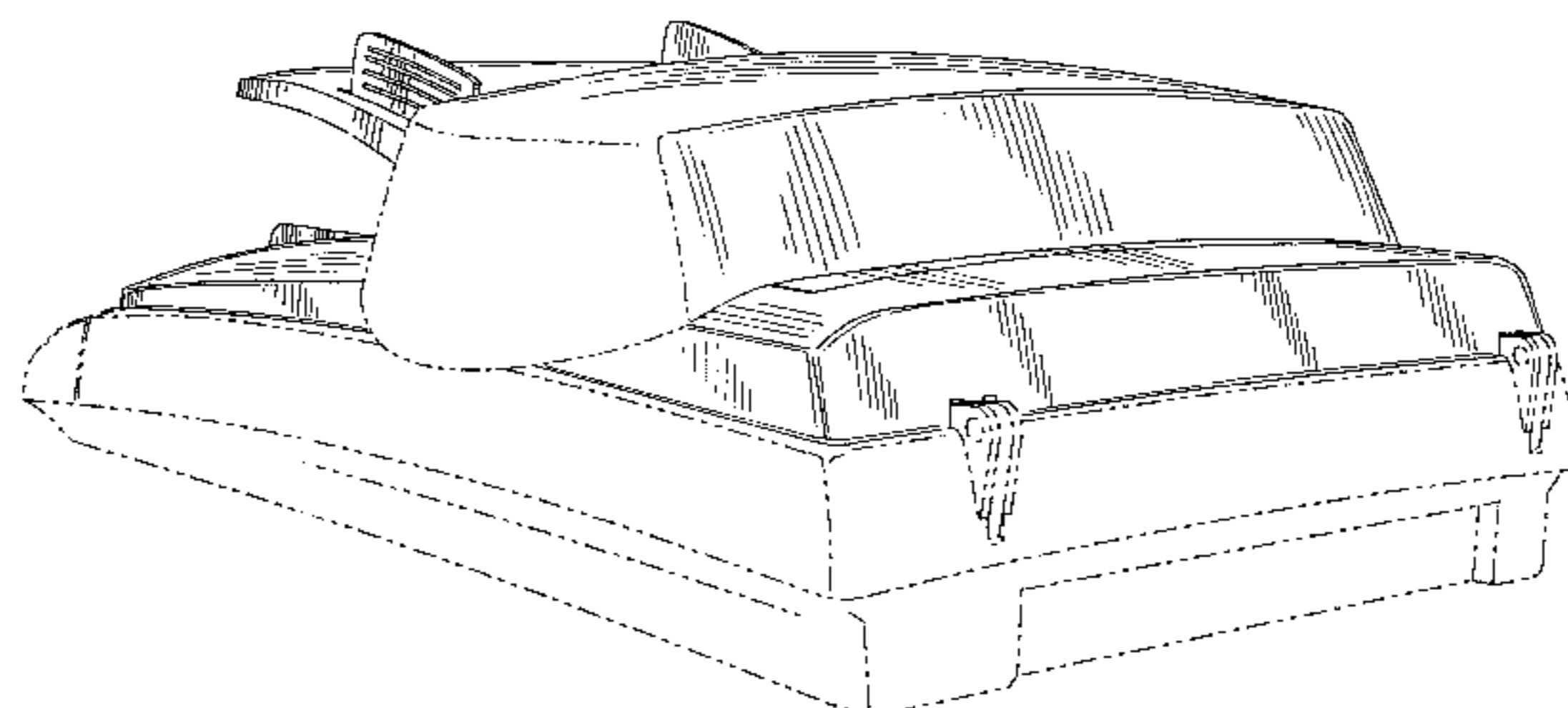
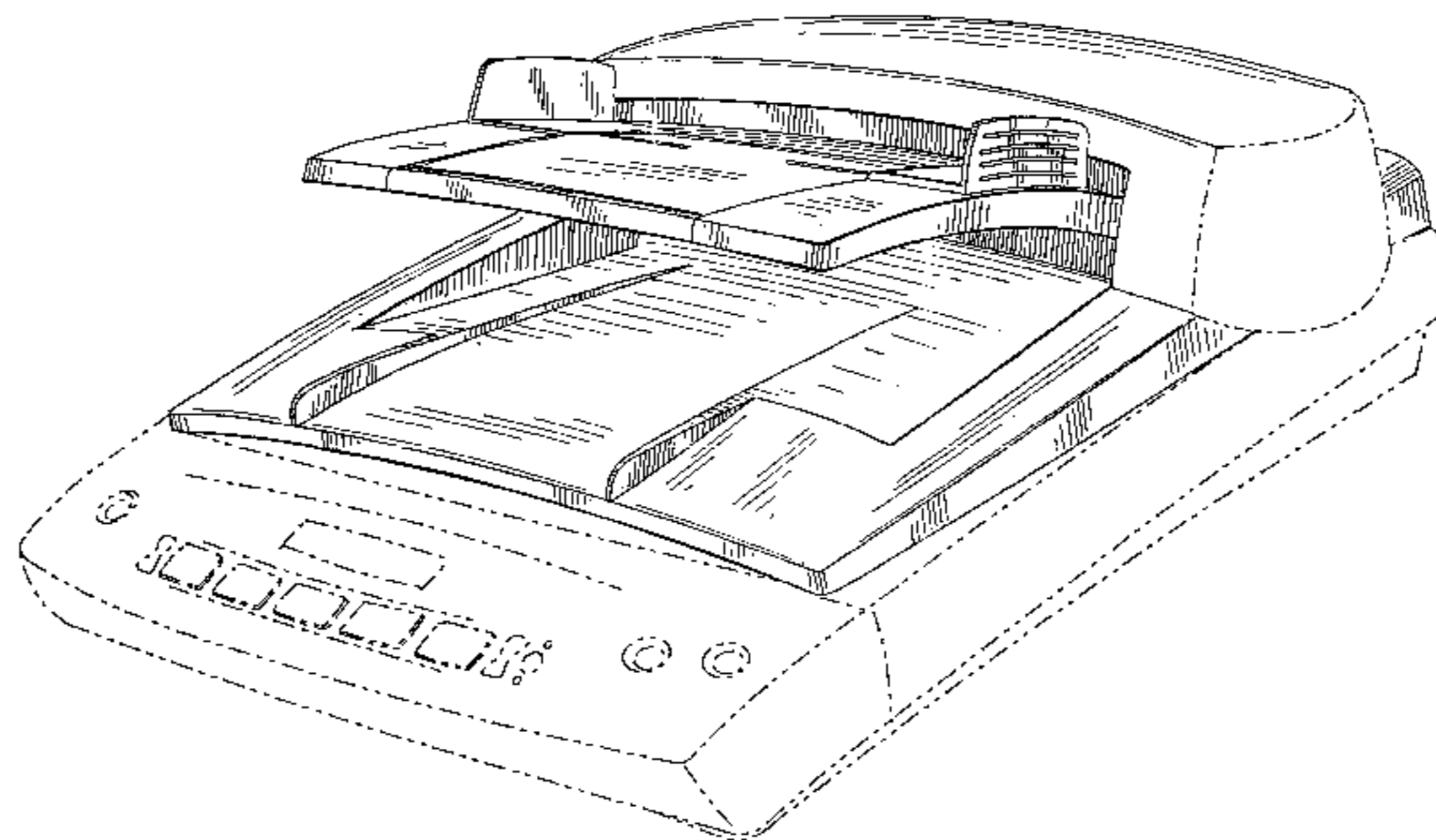
(57) **CLAIM**

The ornamental design for a document feeder for an optical scanner, as shown and described.

DESCRIPTION

FIG. 1 is a top plan view of a document feeder for an optical scanner;
FIG. 2 is a bottom plan view thereof;
FIG. 3 is a right side elevation view thereof;
FIG. 4 is a left side elevation view thereof;
FIG. 5 is a front elevation view thereof;
FIG. 6 is a rear elevation view thereof;
FIG. 7 is a top right perspective view thereof; and,
FIG. 8 is a top right rear perspective view thereof.
The features shown in broken lines in the drawings form no part of the claimed design.

1 Claim, 6 Drawing Sheets



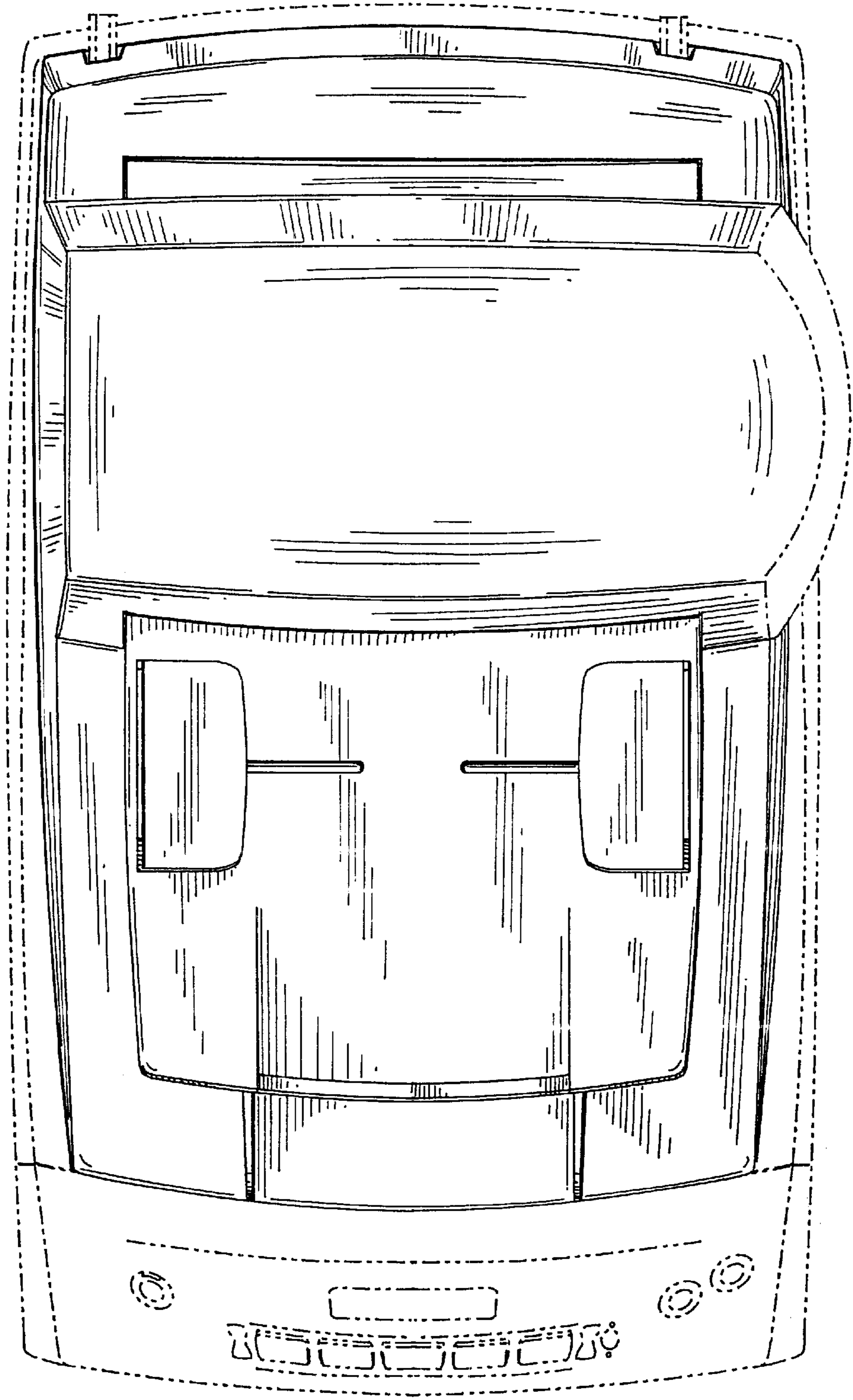


FIG. 1

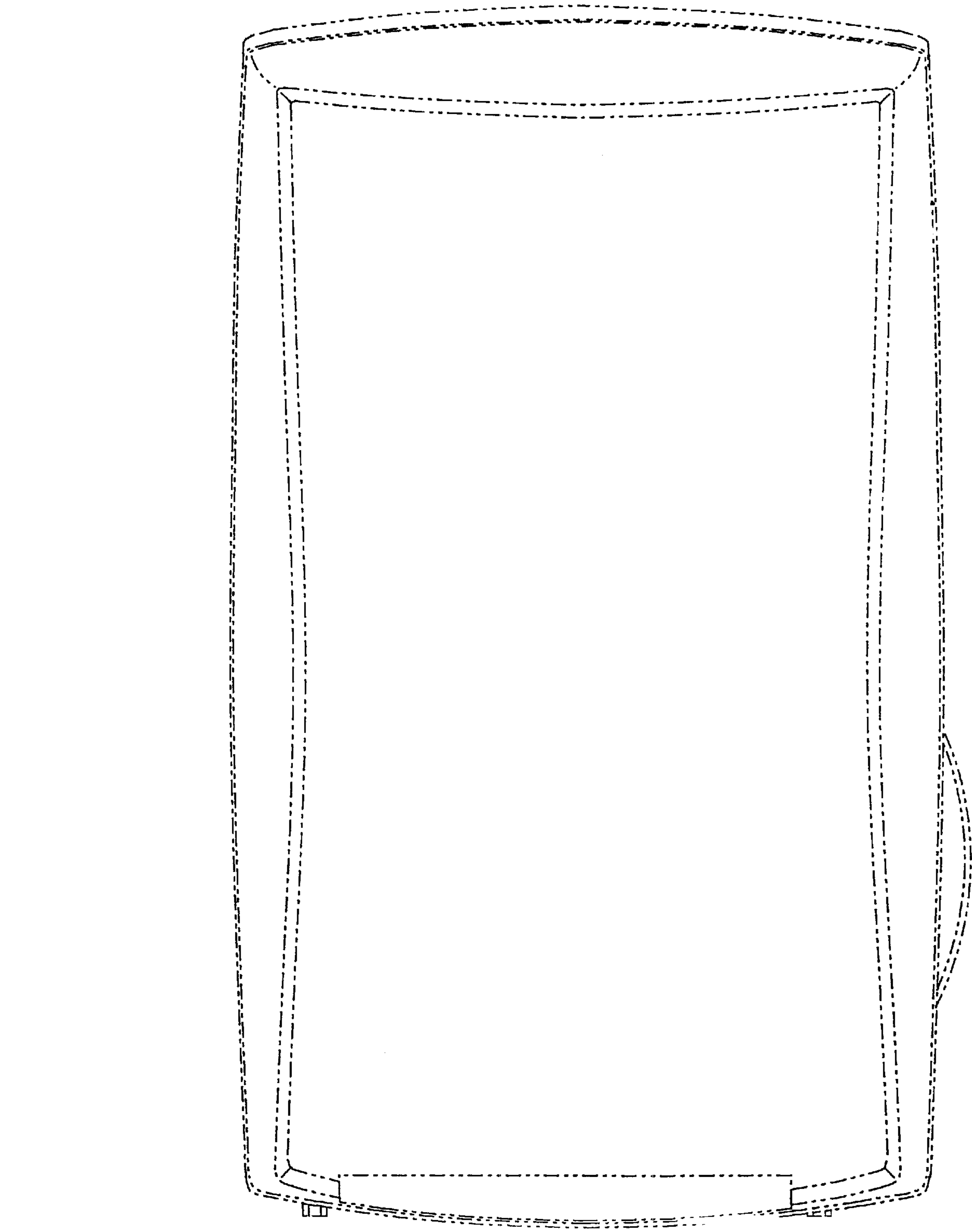


FIG. 2

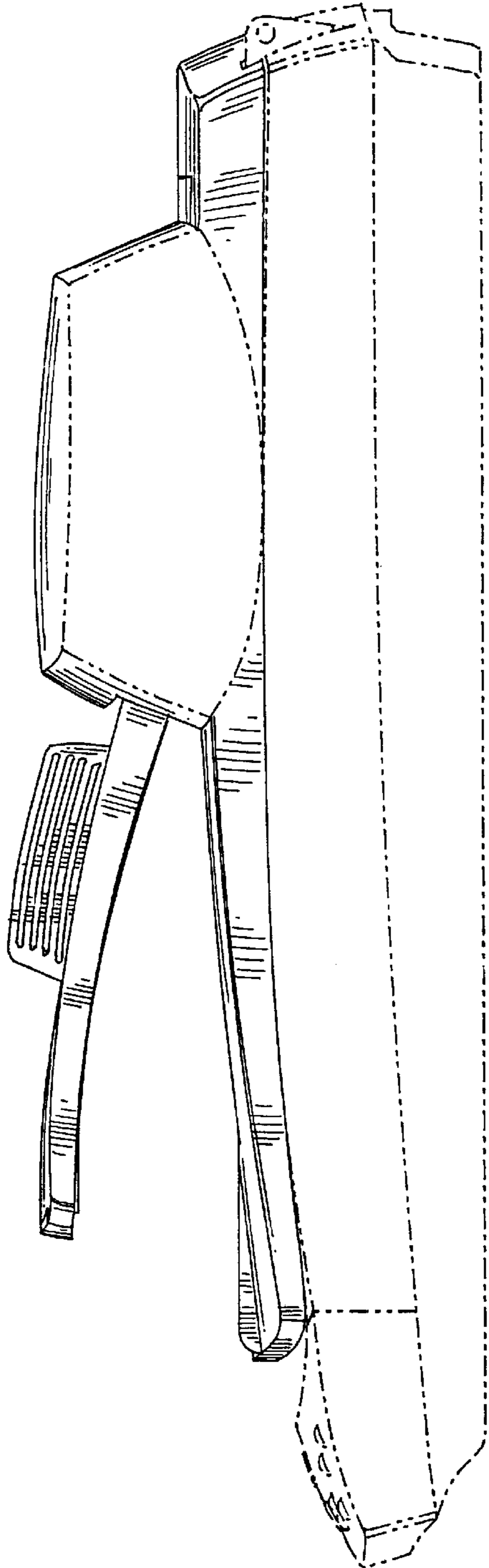


FIG. 3

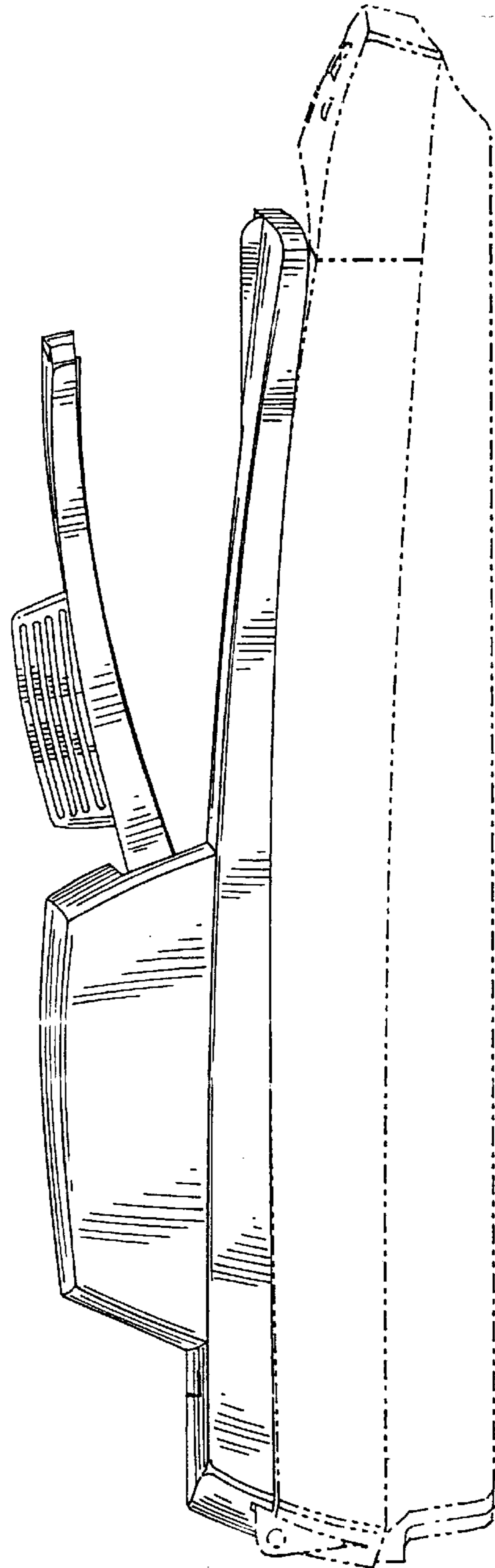


FIG. 4

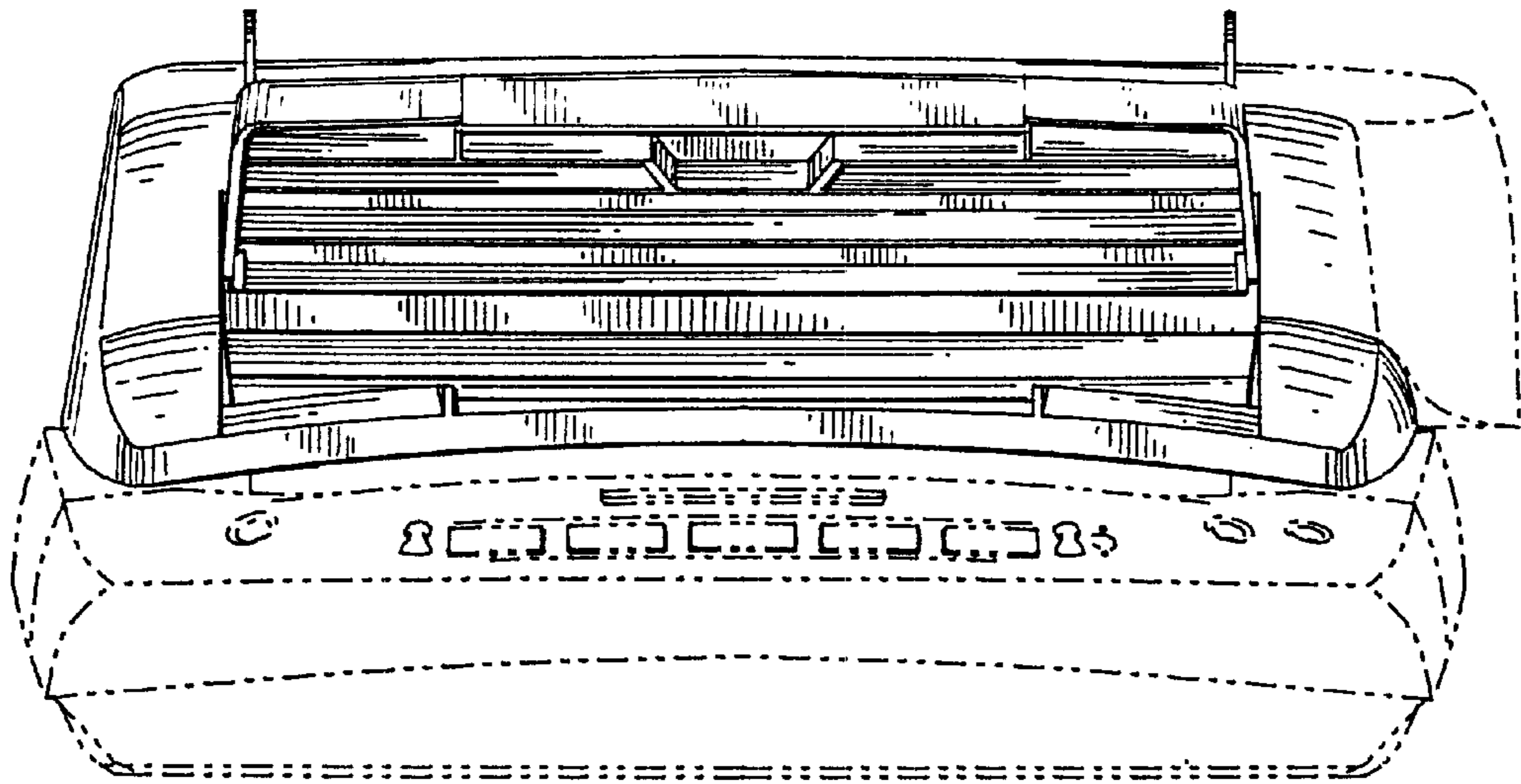


FIG. 5

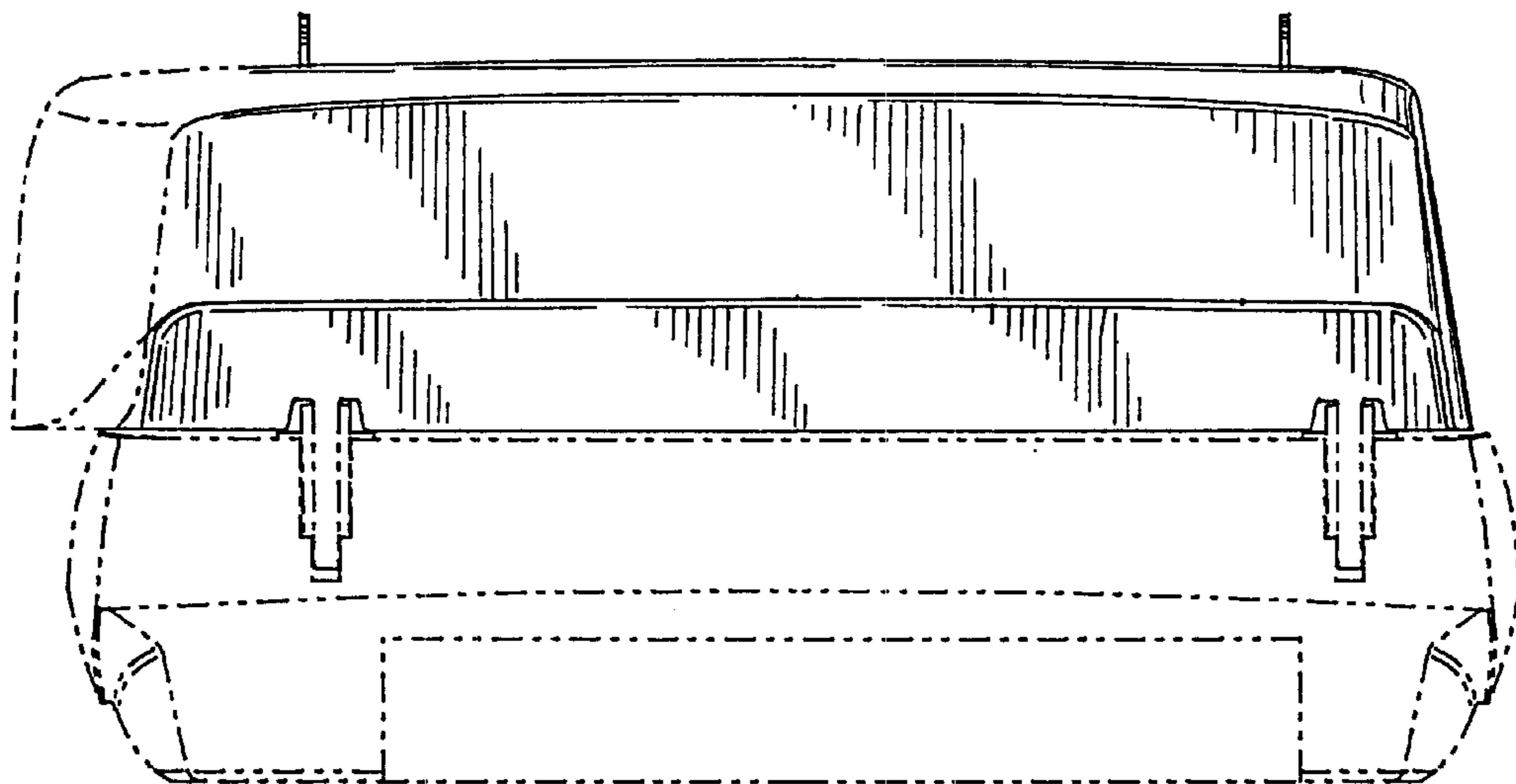


FIG. 6

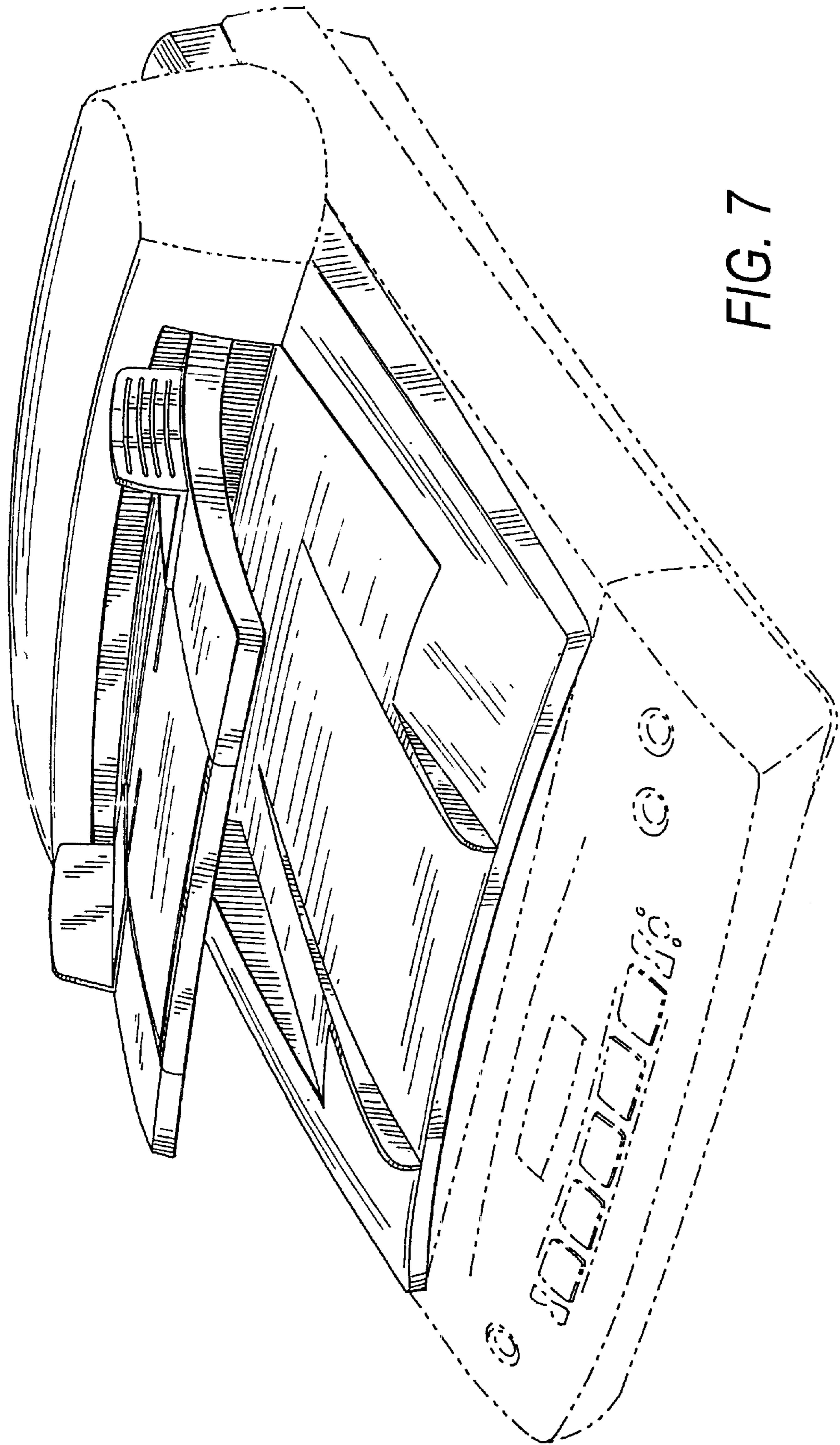


FIG. 7

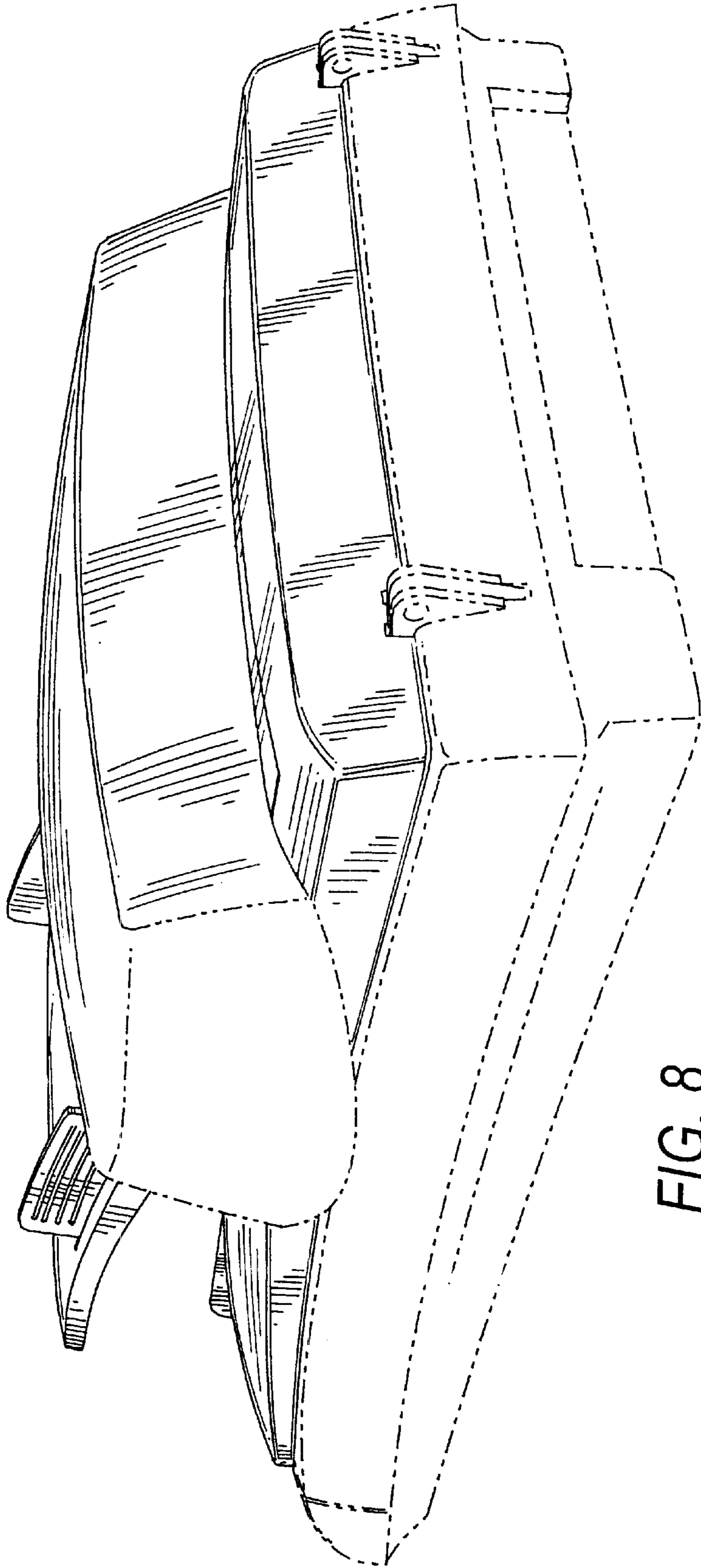


FIG. 8