



US00D472262S

(12) **United States Design Patent**
Miyashita

(10) **Patent No.:** **US D472,262 S**

(45) **Date of Patent:** **** Mar. 25, 2003**

(54) **VIDEO CAMERA**
(75) Inventor: **Shin Miyashita**, Tokyo (JP)
(73) Assignee: **Sony Corporation**, Tokyo (JP)
(**) Term: **14 Years**

D404,748 S 1/1999 Miyashita D16/202
D410,448 S * 6/1999 Honaker et al. D14/371
D426,253 S * 6/2000 Nakanishi D16/219
6,122,003 A 9/2000 Anderson 348/207
6,219,489 B1 4/2001 Ohta et al. 348/906
D446,537 S 8/2001 Petravac et al. D16/220

* cited by examiner

(21) Appl. No.: **29/163,286**
(22) Filed: **Jul. 2, 2002**

Primary Examiner—Adir Aronovich
(74) *Attorney, Agent, or Firm*—Rader, Fishman & Grauer
PLLC

Related U.S. Application Data

(62) Division of application No. 29/131,656, filed on Oct. 26,
2000, now Pat. No. Des. 463,473.
(51) **LOC (7) Cl.** **16-05**
(52) **U.S. Cl.** **D16/219**
(58) **Field of Search** D14/125–129,
D14/371; D16/200, 202, 203, 208, 219,
220; D20/10; 348/341, 373, 374–376; 358/906;
248/918

(57) **CLAIM**

The ornamental design for a video camera, as shown and
described.

DESCRIPTION

FIG. 1 is a top, front perspective view of a video camera
showing my new design;
FIG. 2 is a front elevational view thereof;
FIG. 3 is a top plan view thereof, wherein the viewing screen
shown in the first alternate position;
FIG. 4 is a top plan view thereof, wherein the viewing screen
shown in the second alternate position;
FIG. 5 is a top plan view thereof, the viewing screen shown
in the third alternate position; and,
FIG. 6 is a front elevational view thereof, wherein the
viewing screen shown in the closed position.
Portions in broken lines are shown to illustrate environment
only and form no part of the claimed design.

(56) **References Cited**

U.S. PATENT DOCUMENTS

D124,324 S 12/1940 Mihalyi D16/220
D314,714 S * 2/1991 Wixey et al. D14/371
5,035,392 A * 7/1991 Gross et al. 248/918
D339,167 S * 9/1993 Pearlson D20/10
D373,778 S 9/1996 Fasciano et al. D16/219
D377,497 S * 1/1997 Ninomiya et al. D16/219
5,592,224 A 1/1997 Shim 348/333
D404,051 S 1/1999 Ishii D16/219

1 Claim, 4 Drawing Sheets

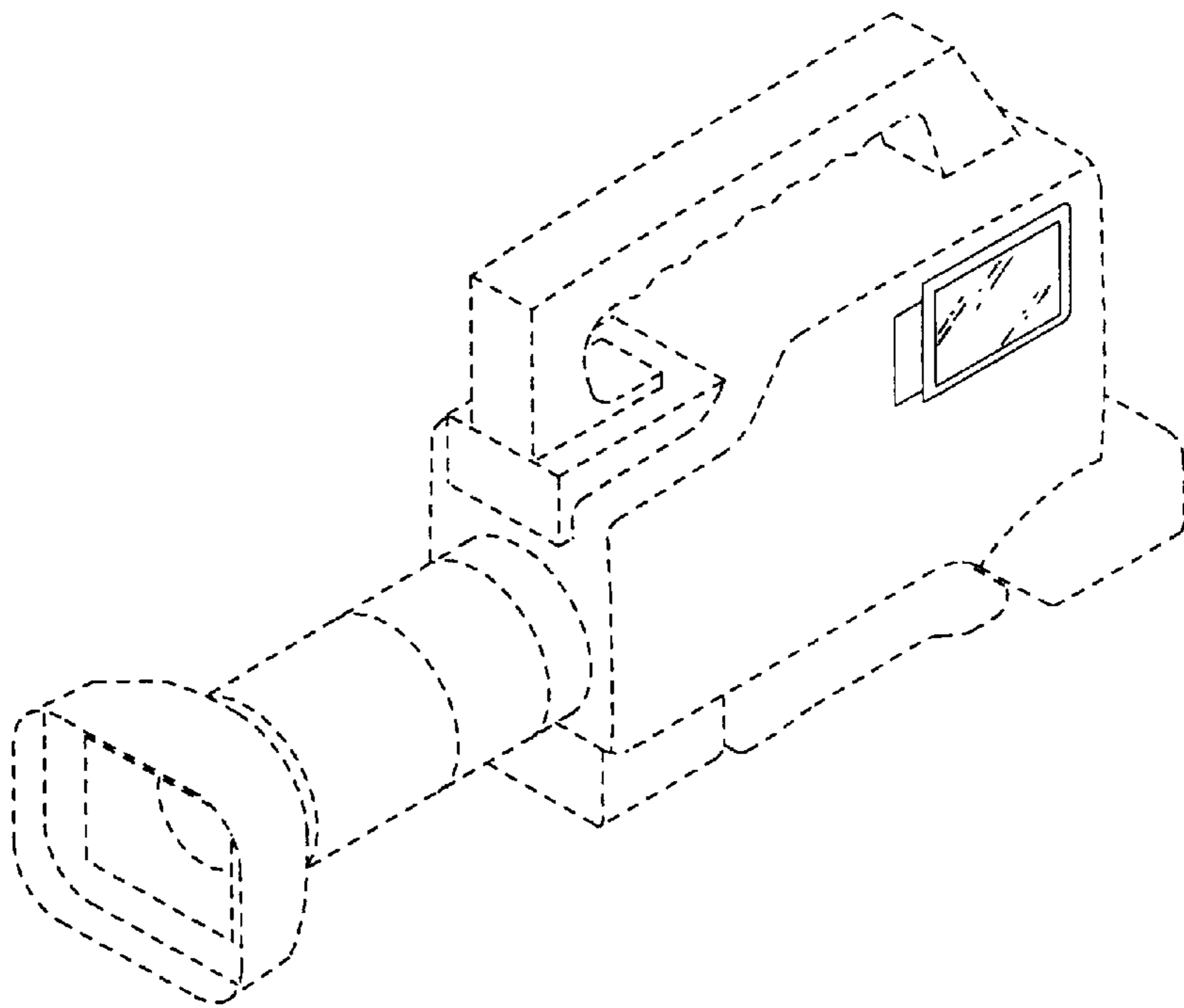


FIG. 1

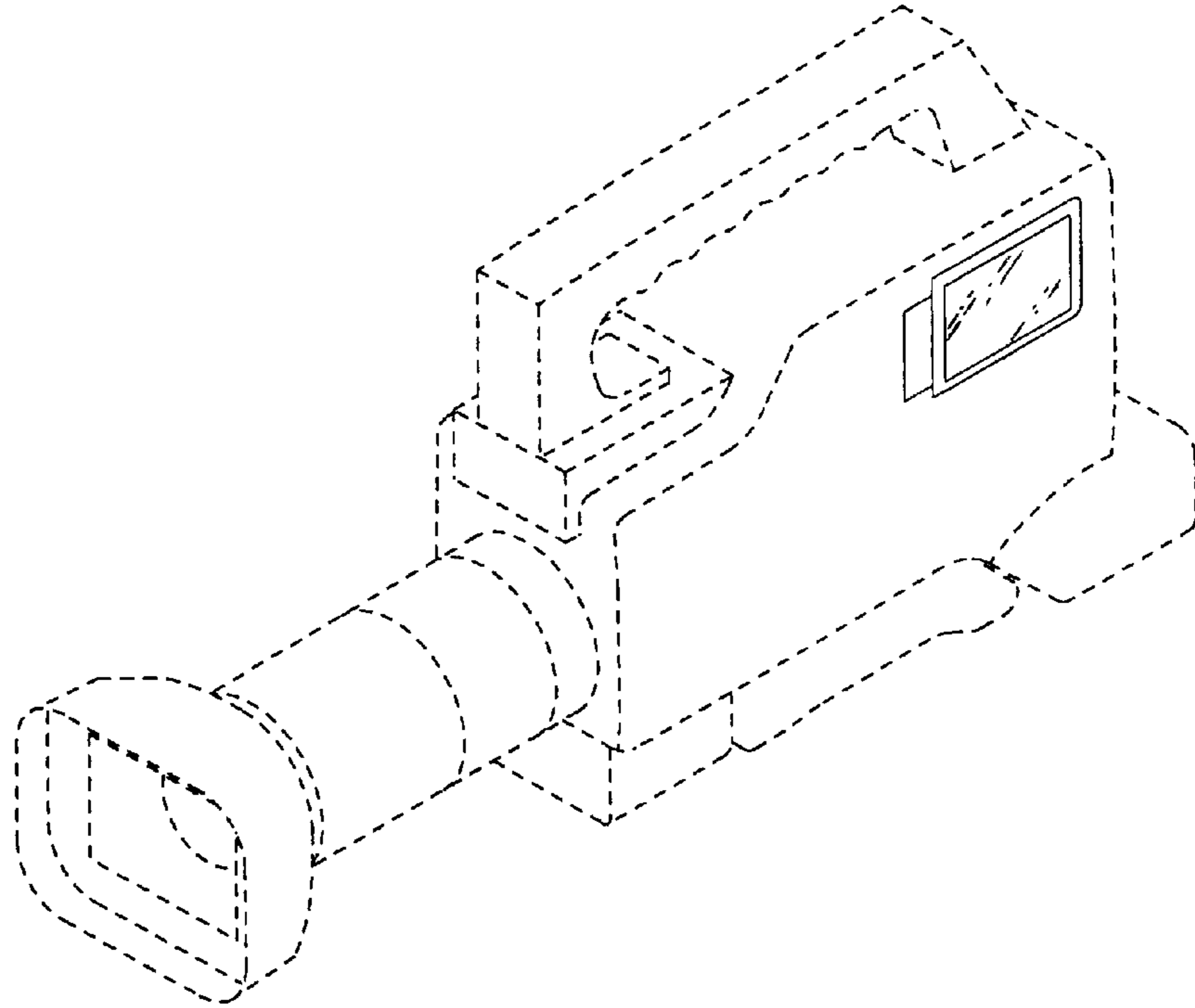


FIG. 3

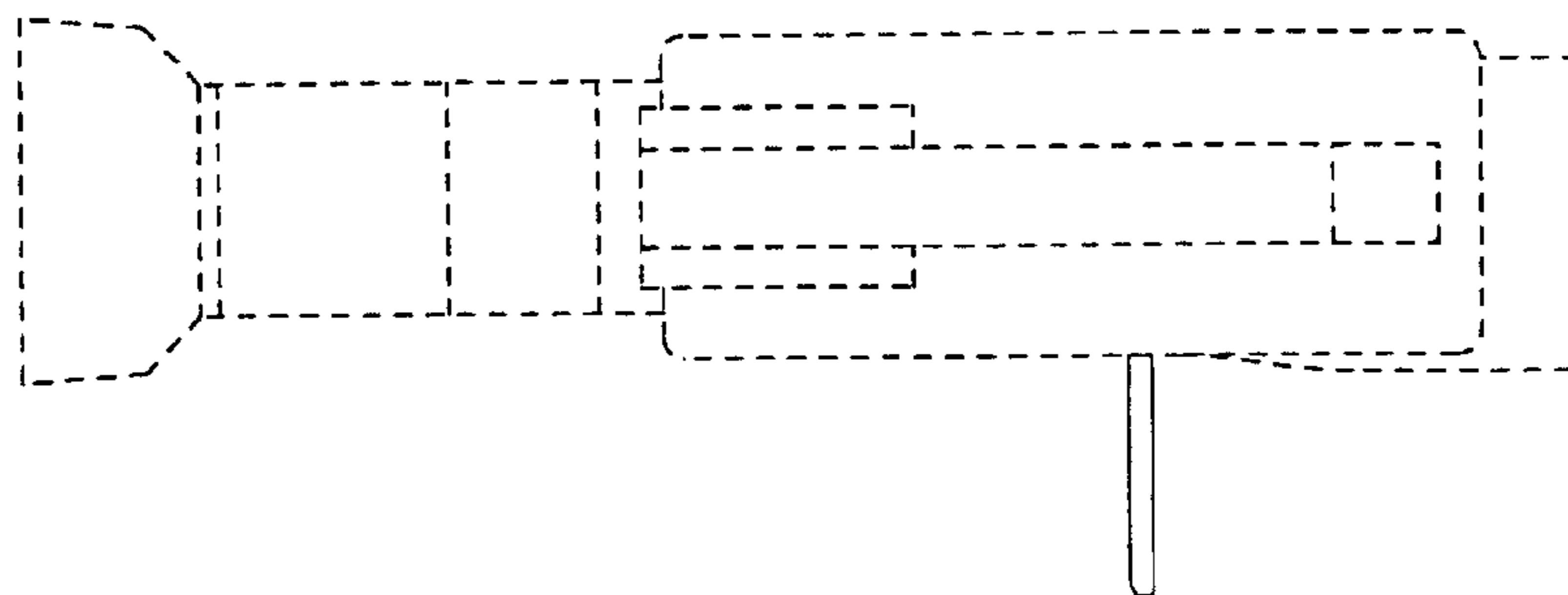


FIG. 2

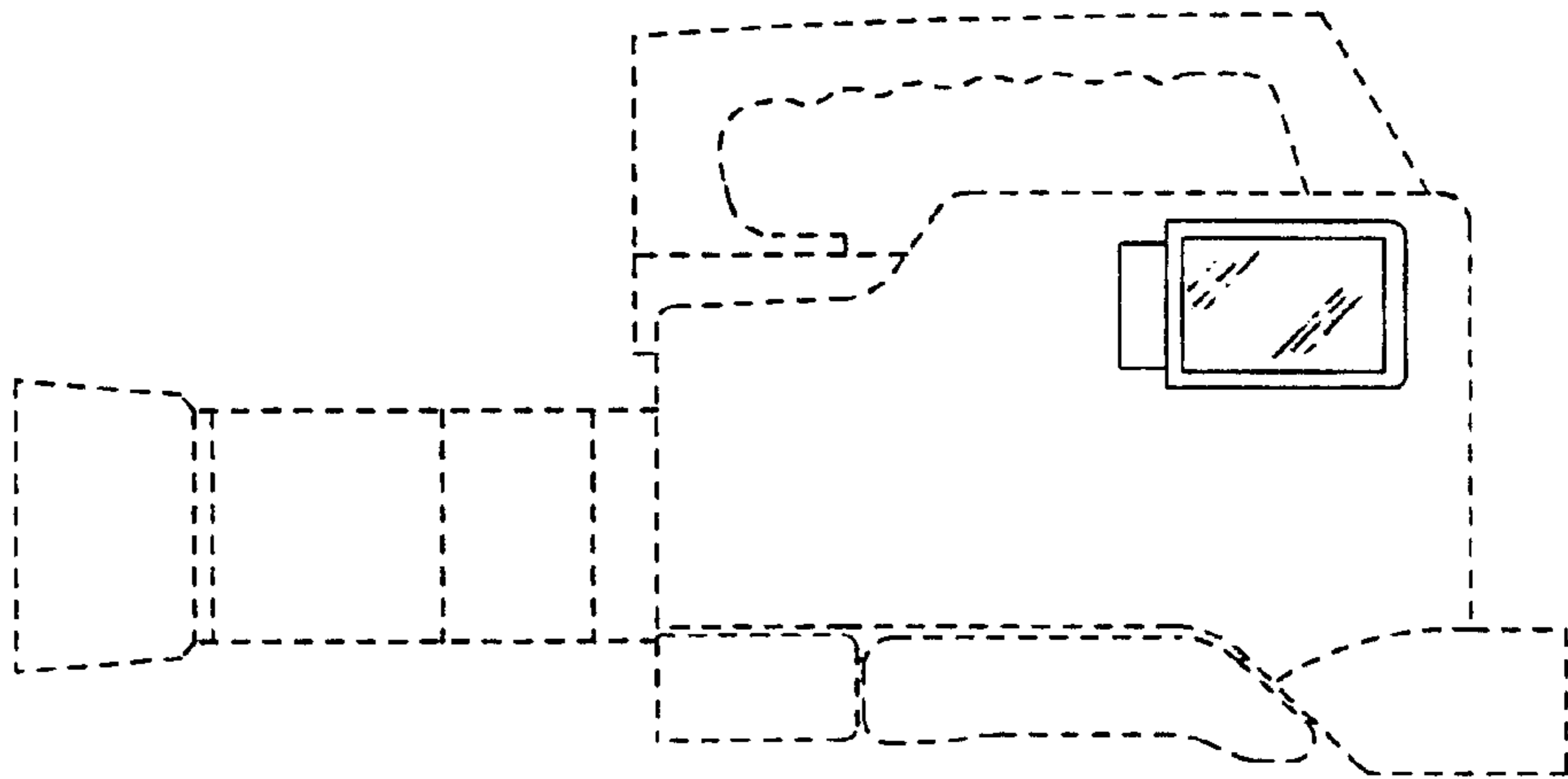


FIG. 4

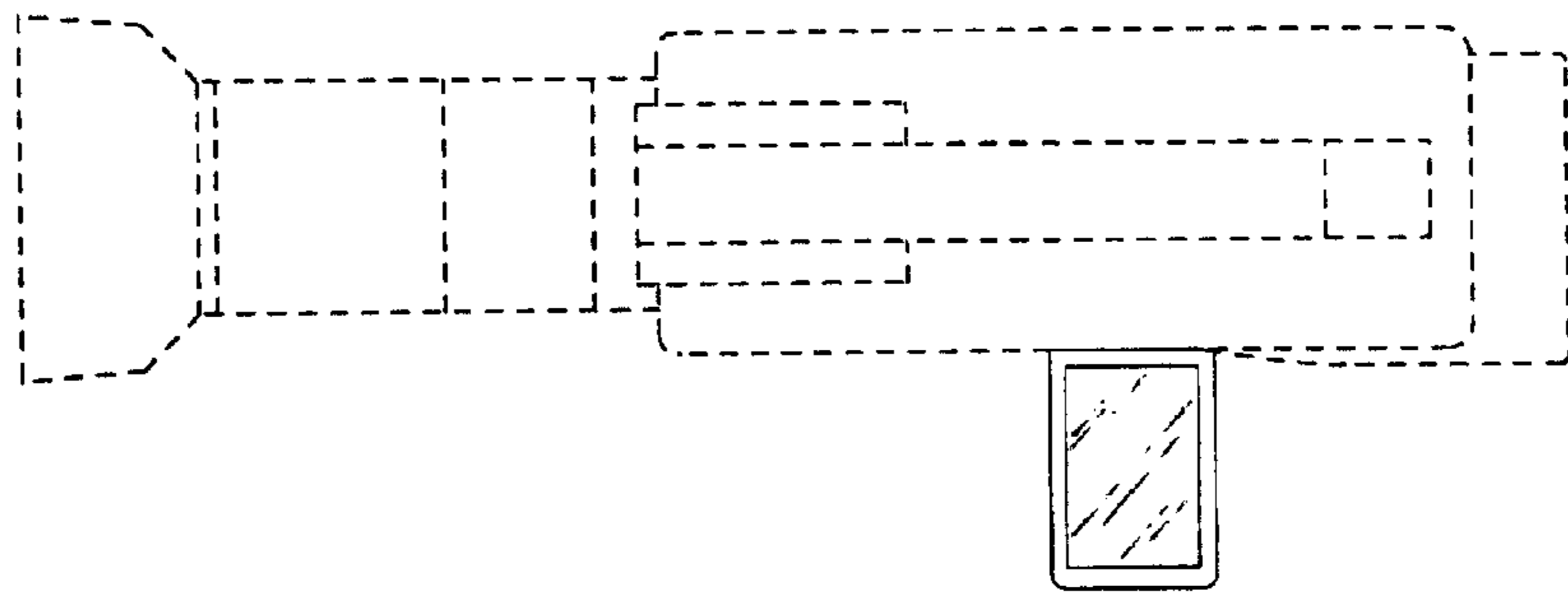


FIG. 5

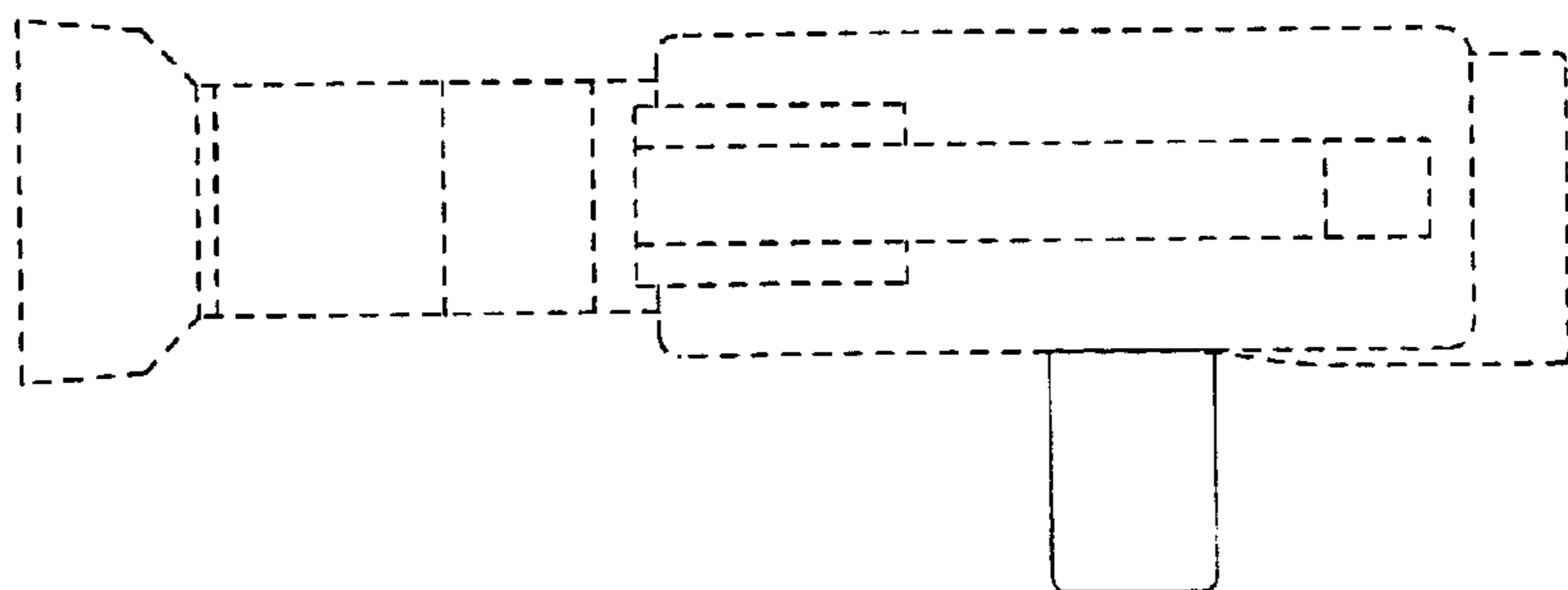


FIG. 6

