



US00D472260S

(12) **United States Design Patent**
Higgins et al.

(10) **Patent No.:** **US D472,260 S**

(45) **Date of Patent:** **** Mar. 25, 2003**

(54) **SEALED CHAMBER FOR A SURVEILLANCE CAMERA**

(75) Inventors: **Michael Timothy Higgins**, Fresno, CA (US); **Cliff Lawrence Cooper**, Clovis, CA (US); **Joshua Ryan Cockrum**, Fresno, CA (US); **Shane E. Compton**, Fresno, CA (US)

(73) Assignee: **Pelco**, Clovis, CA (US)

(**) Term: **14 Years**

(21) Appl. No.: **29/139,520**

(22) Filed: **Mar. 30, 2001**

(51) **LOC (7) Cl.** **16-01**

(52) **U.S. Cl.** **D16/203**

(58) **Field of Search** D16/200-205;
248/183.2, 187.1; 348/373-376, 143, 151;
396/12, 13, 419, 427, 428

(56) **References Cited**

U.S. PATENT DOCUMENTS

3,613,538 A	*	10/1971	Horberg, Jr.	396/427
3,720,147 A		3/1973	Bemis	
3,732,368 A		5/1973	Mahlab	
D262,117 S	*	12/1981	Sasaki	D16/203
4,414,576 A		11/1983	Randmae	
4,653,709 A	*	3/1987	Paldino	248/183.2
4,920,367 A		4/1990	Pagano	
D307,915 S		5/1990	Kuester, III	D16/203
4,978,984 A		12/1990	Brookfield	
4,984,089 A		1/1991	Stiepel et al.	
5,115,263 A		5/1992	Bernhardt et al.	
5,121,215 A		6/1992	Boers et al.	
5,214,245 A		5/1993	Bernhardt et al.	
5,223,872 A		6/1993	Stiepel et al.	

5,224,675 A		7/1993	Ellenberger et al.	
D340,940 S	*	11/1993	Ellenberger et al.	D16/242
5,394,184 A		2/1995	Anderson et al.	348/151
5,394,208 A		2/1995	Campbell	
5,394,209 A		2/1995	Stiepel et al.	
5,418,567 A		5/1995	Boers et al.	348/375
5,563,659 A		10/1996	Bernhardt et al.	348/373
5,589,875 A	*	12/1996	Fujita et al.	348/143
5,631,699 A	*	5/1997	Saito	348/373
5,689,304 A		11/1997	Jones et al.	348/373
5,852,754 A		12/1998	Schneider	
5,864,365 A		1/1999	Sramek et al.	
5,966,176 A		10/1999	Chow et al.	348/373
6,061,087 A		5/2000	Schieltz et al.	

* cited by examiner

Primary Examiner—Adir Aronovich

(74) *Attorney, Agent, or Firm*—Mark D. Miller

(57) **CLAIM**

We claim the ornamental design for a sealed chamber for a surveillance camera, as shown and described.

DESCRIPTION

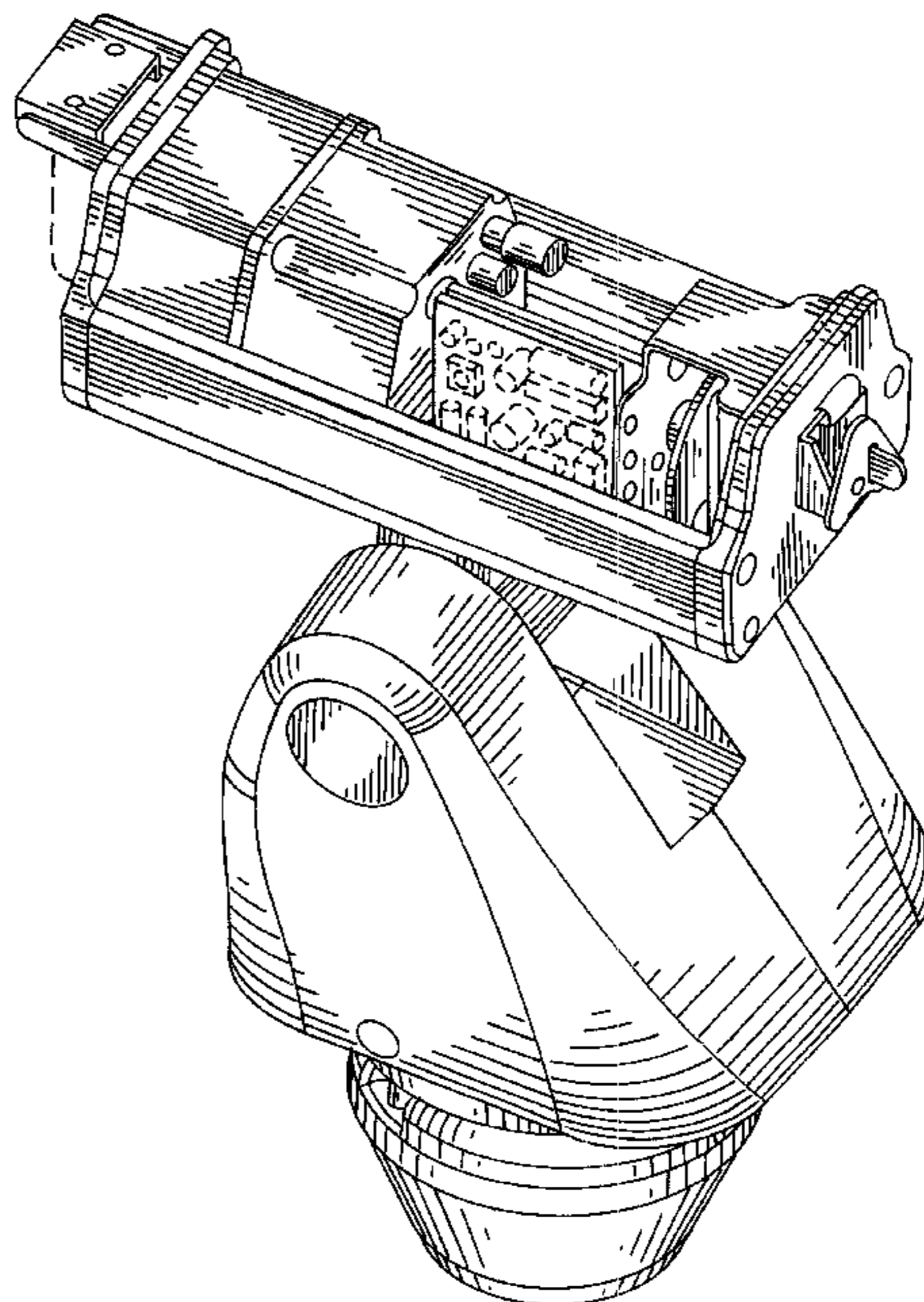
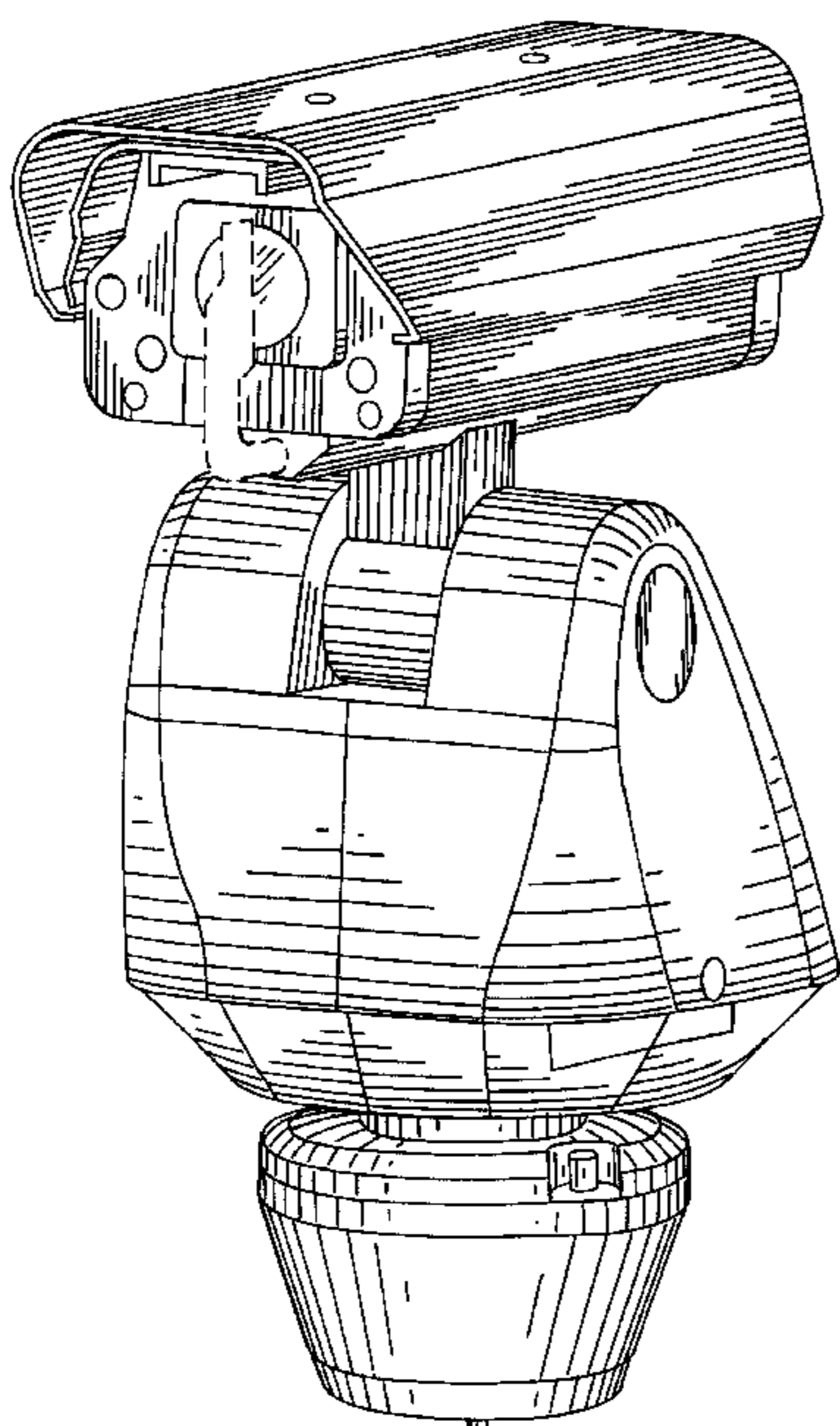
FIG. 1 is a front perspective view of a sealed chamber for a surveillance camera showing our new design;

FIG. 2 is front and side perspective view thereof, with the camera being in an alternative position and housing cover removed;

FIG. 3 is a front perspective view of a sealed chamber for a surveillance camera with the housing cover removed; and, FIG. 4 is a rear and side perspective view of a sealed chamber for a surveillance camera with the housing cover removed.

The portions of the article in broken lines are shown for illustrative purposes only and form no part of the claimed design.

1 Claim, 4 Drawing Sheets



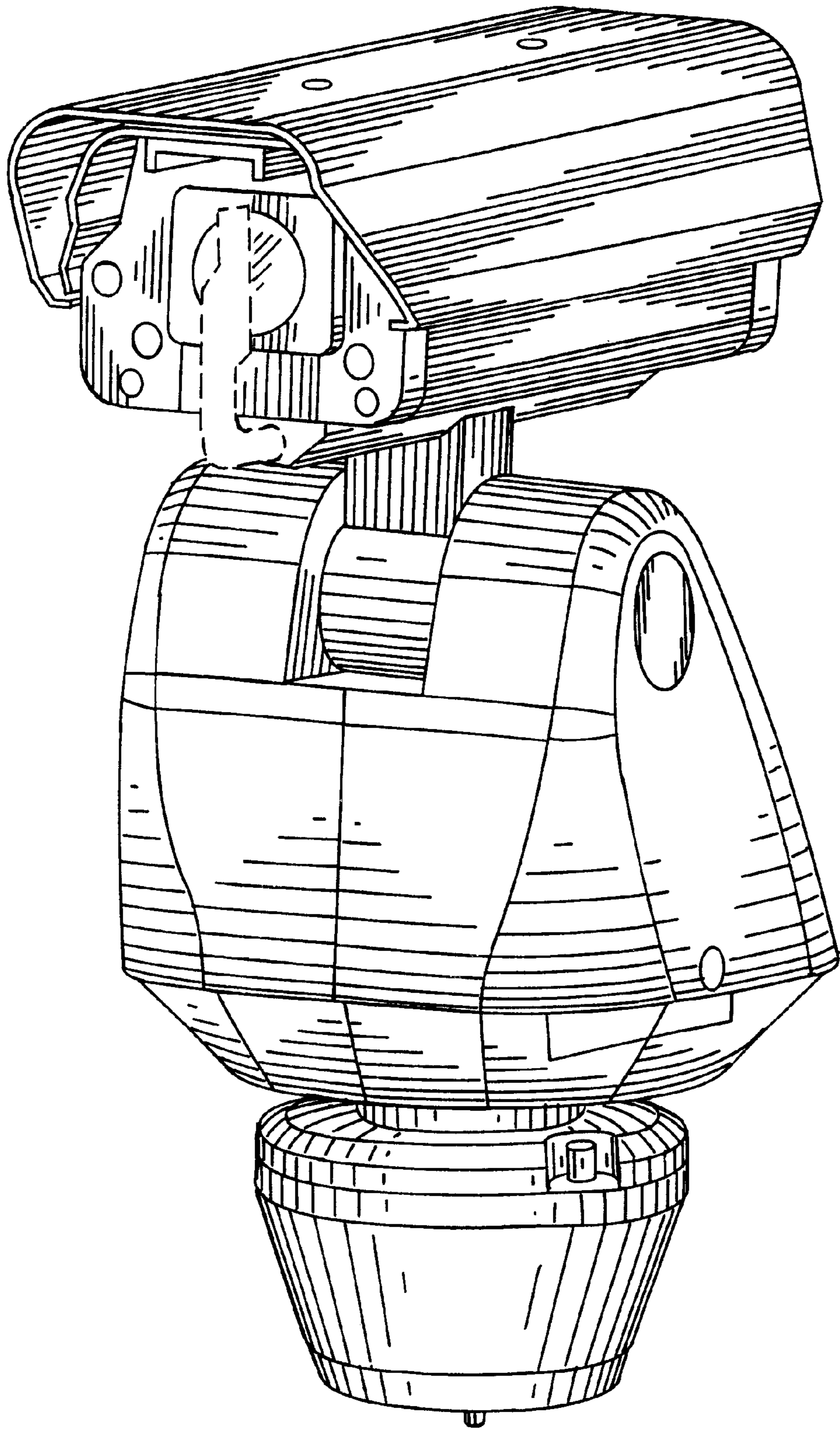


FIG. 1

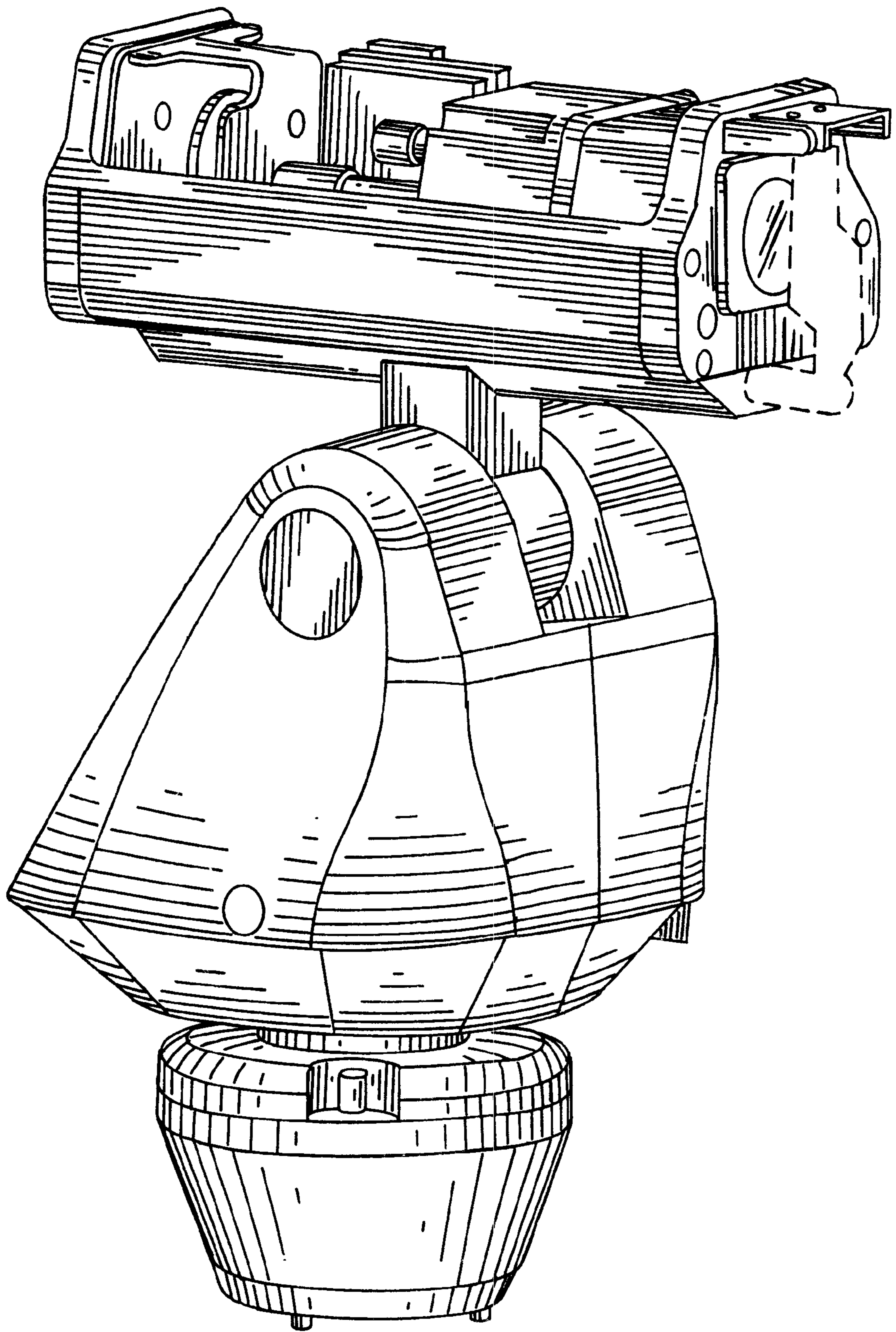


FIG. 2

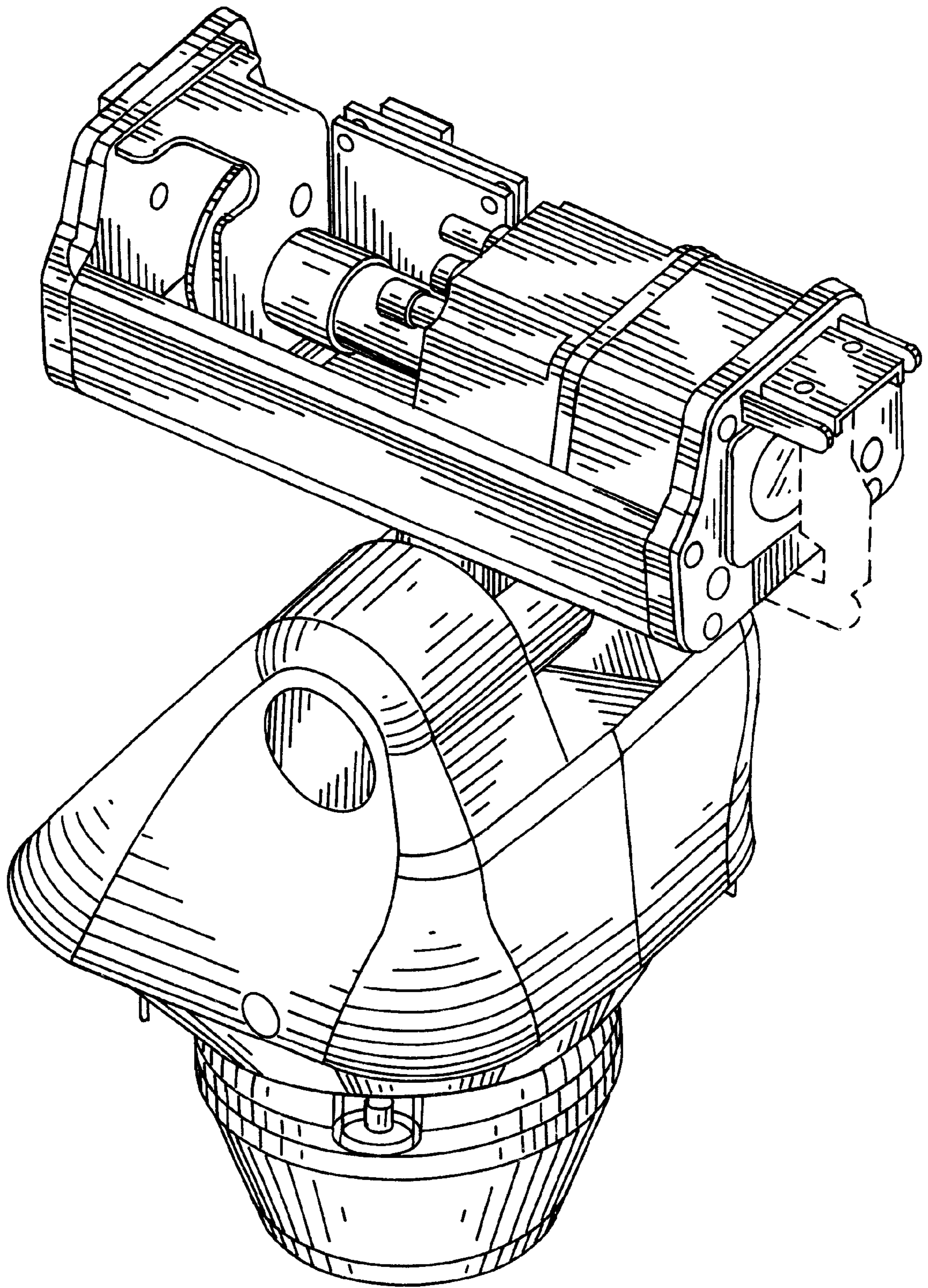


FIG. 3

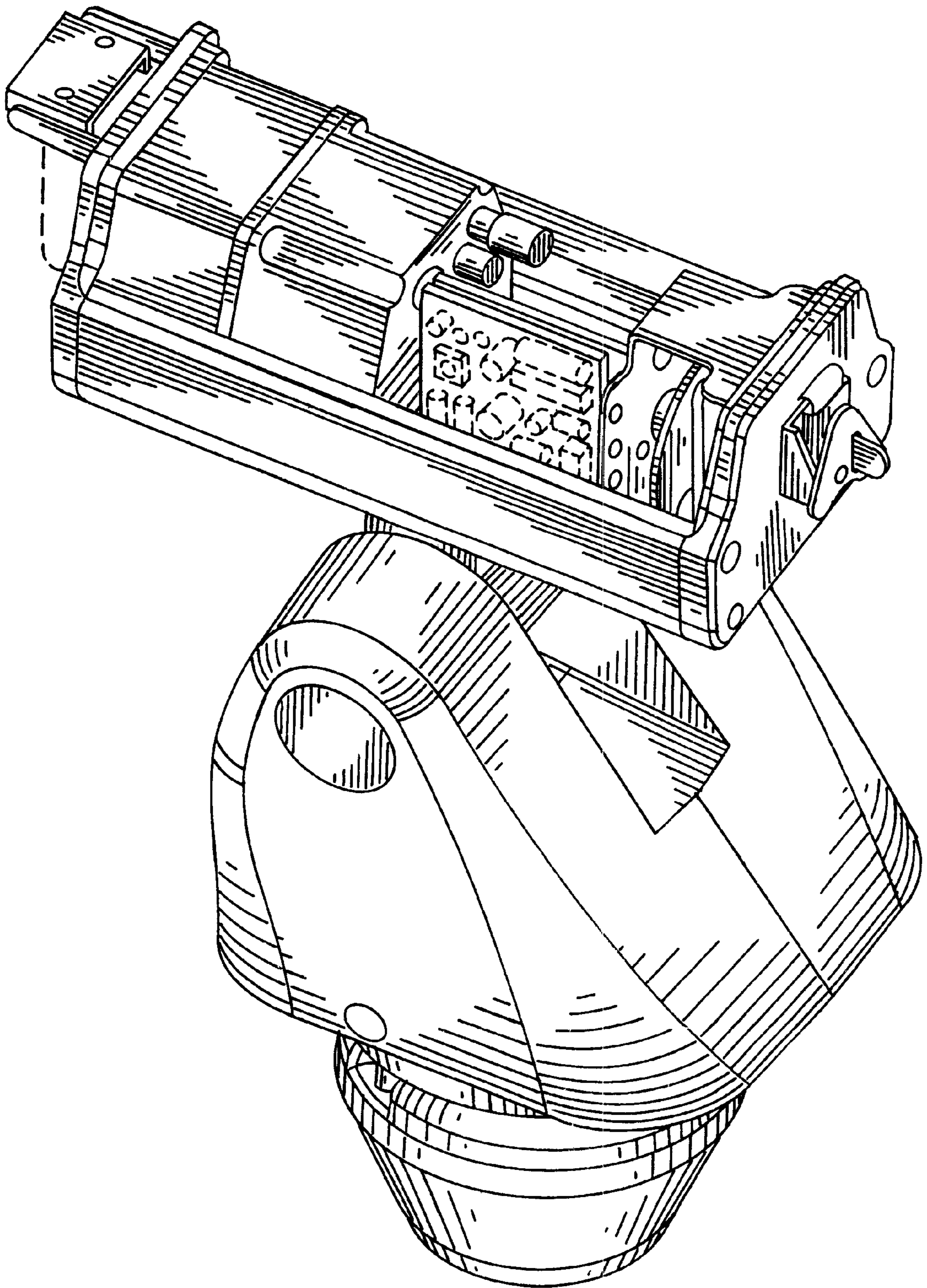


FIG. 4