



US00D472259S

(12) **United States Design Patent**
Rupe

(10) **Patent No.:** **US D472,259 S**

(45) **Date of Patent:** **** Mar. 25, 2003**

(54) **VIDEO CAMERA FOR RELAYING VIDEO TO AN IN-VEHICLE VIDEO RECORDER SYSTEM**

(76) **Inventor:** **Steven M. Rupe**, 3666 Park Ave. West
P.O. Box 63, Ontario, OH (US) 44862

(**) **Term:** **14 Years**

(21) **Appl. No.:** **29/167,442**

(22) **Filed:** **Sep. 13, 2002**

Related U.S. Application Data

(63) Continuation of application No. 29/157,343, filed on Mar. 18, 2002.

(51) **LOC (7) Cl.** **16-01**

(52) **U.S. Cl.** **D16/202; D16/203**

(58) **Field of Search** D16/200–205,
D16/208, 218, 219; 348/148, 149, 373–376;
358/906, 909.1; 396/427, 428

(56) **References Cited**

U.S. PATENT DOCUMENTS

- 4,789,904 A 12/1988 Peterson
- 4,815,757 A * 3/1989 Hamilton 348/148
- 4,949,186 A 8/1990 Peterson
- 5,055,863 A * 10/1991 Lindenfelser et al. 348/909.1
- D366,270 S * 1/1996 Hasegawa D16/203
- D373,593 S * 9/1996 Hiroko et al. D16/203

- D409,641 S * 5/1999 Uehara D16/203
- D410,936 S * 6/1999 Isono D16/202
- 6,198,502 B1 * 3/2001 Watkins 348/148
- D442,982 S * 5/2001 Adachi et al. D16/203
- 6,333,759 B1 12/2001 Mazzilli
- D455,130 S 4/2002 Skaff et al.

* cited by examiner

Primary Examiner—Adir Aronovich

(57) **CLAIM**

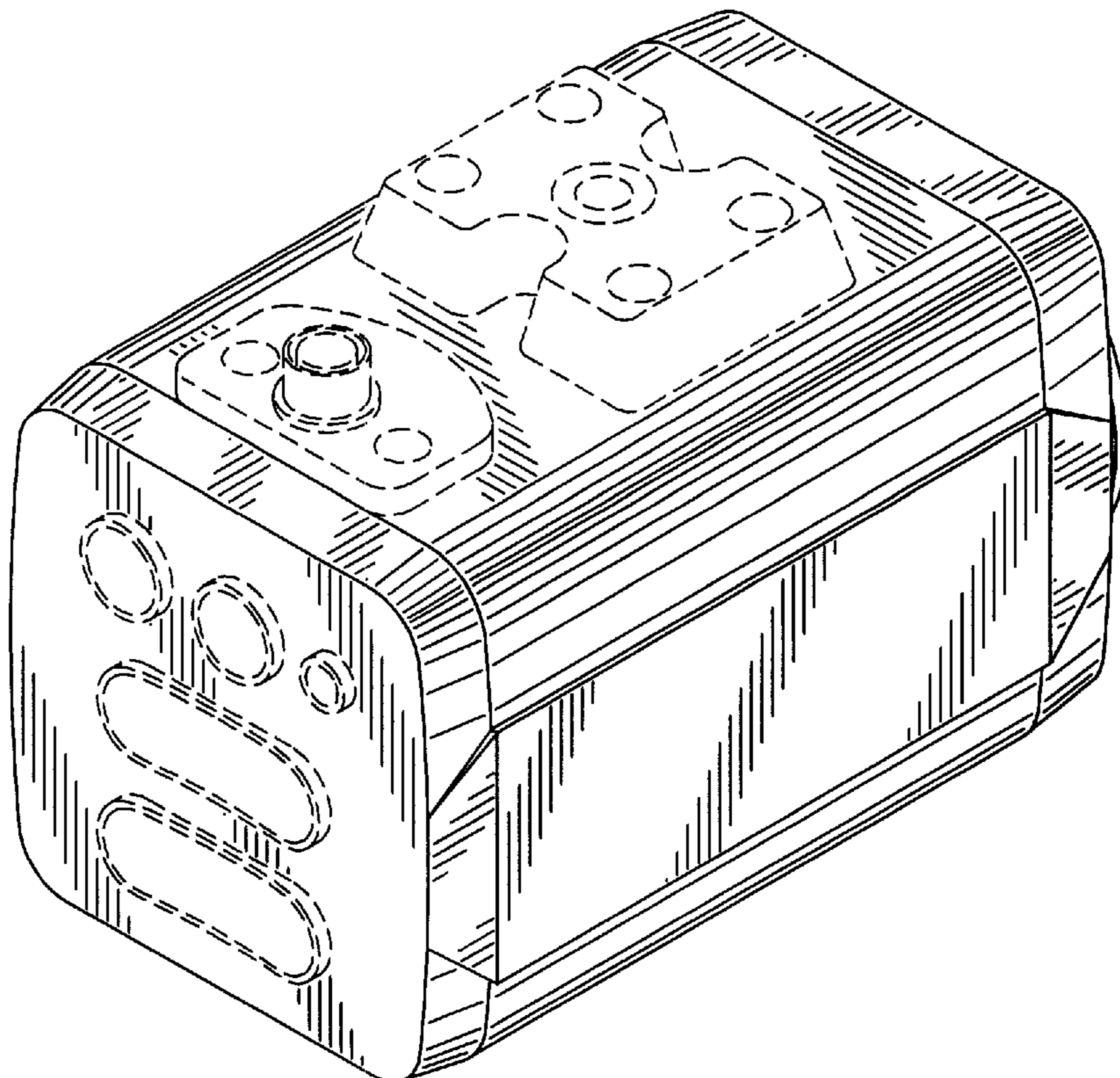
The ornamental design for a video camera for relaying video to an in-vehicle video recorder system, as shown and described.

DESCRIPTION

FIG. 1 is a rear perspective view of a video camera for relaying video to an in-vehicle video recorder system, showing my new design;
 FIG. 2 is a right side elevational view thereof;
 FIG. 3 is a left side elevational view thereof;
 FIG. 4 is a top view thereof;
 FIG. 5 is a bottom view thereof;
 FIG. 6 is a rear view thereof; and,
 FIG. 7 is a front view thereof.

The broken lines showing the mounting means, communication port, control buttons or camera lens in FIGS. 1–4, 6, 7 are for illustrative purposes only and form no part of the claimed design.

1 Claim, 4 Drawing Sheets



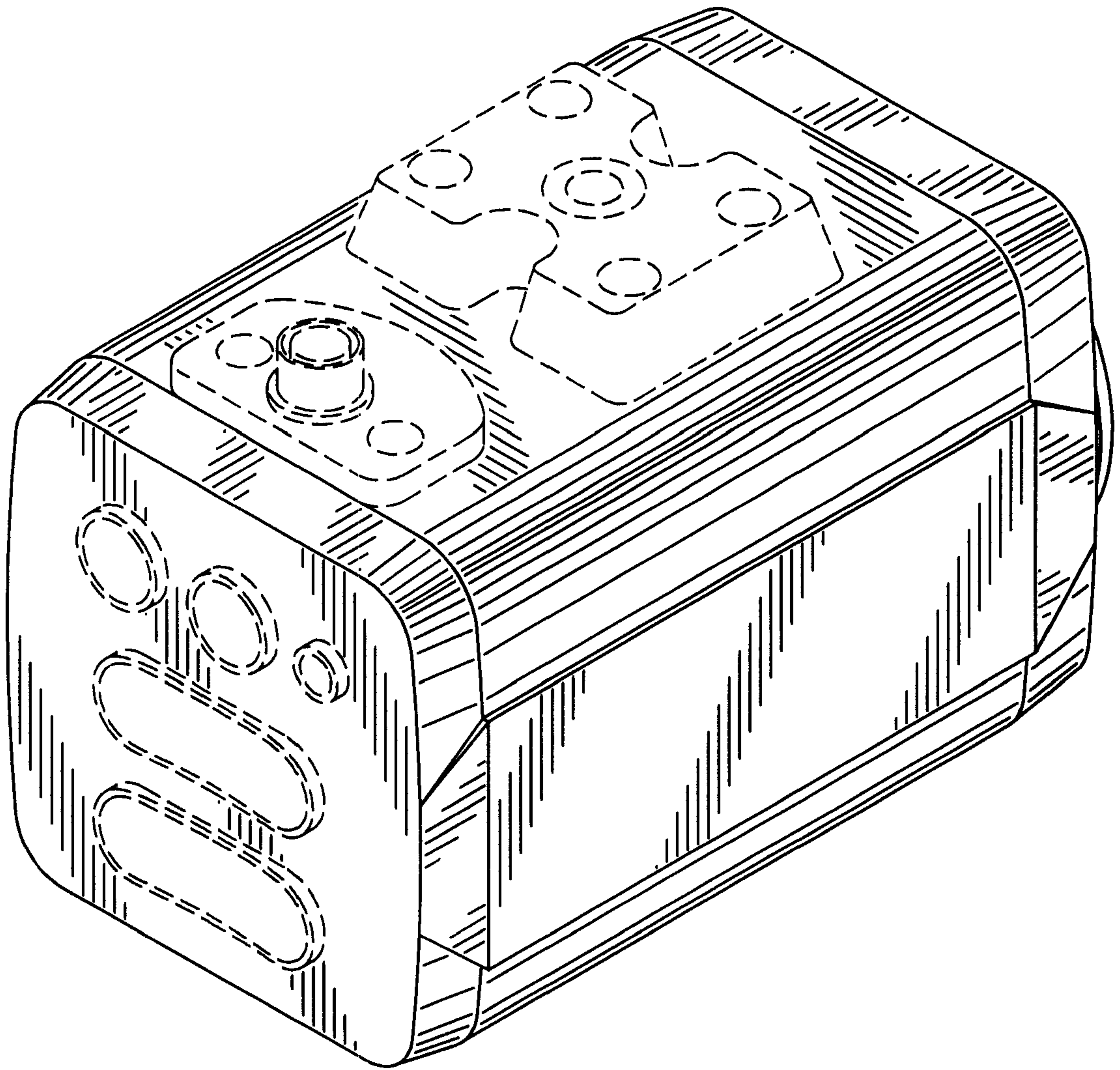


FIG. 1

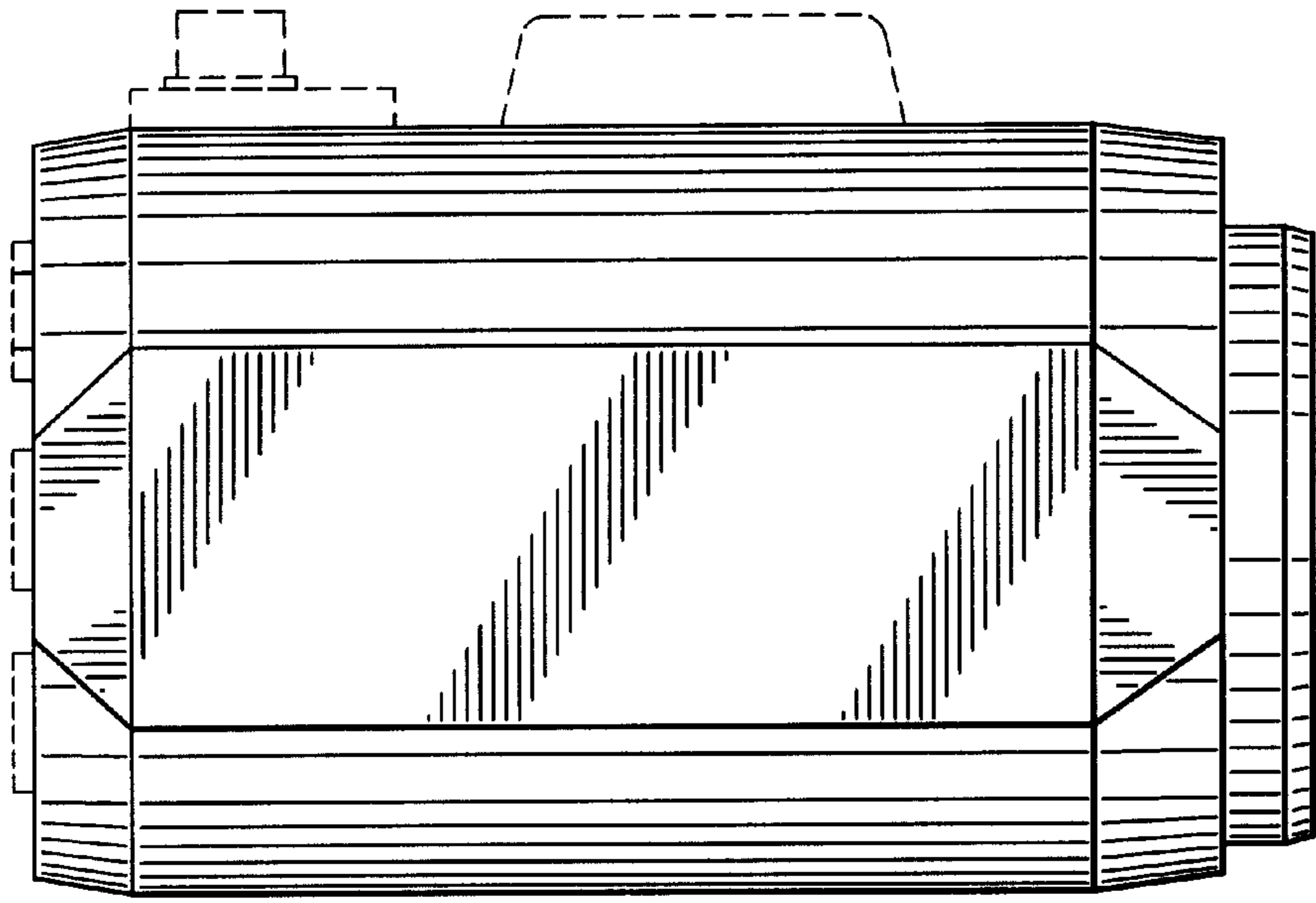


FIG. 2

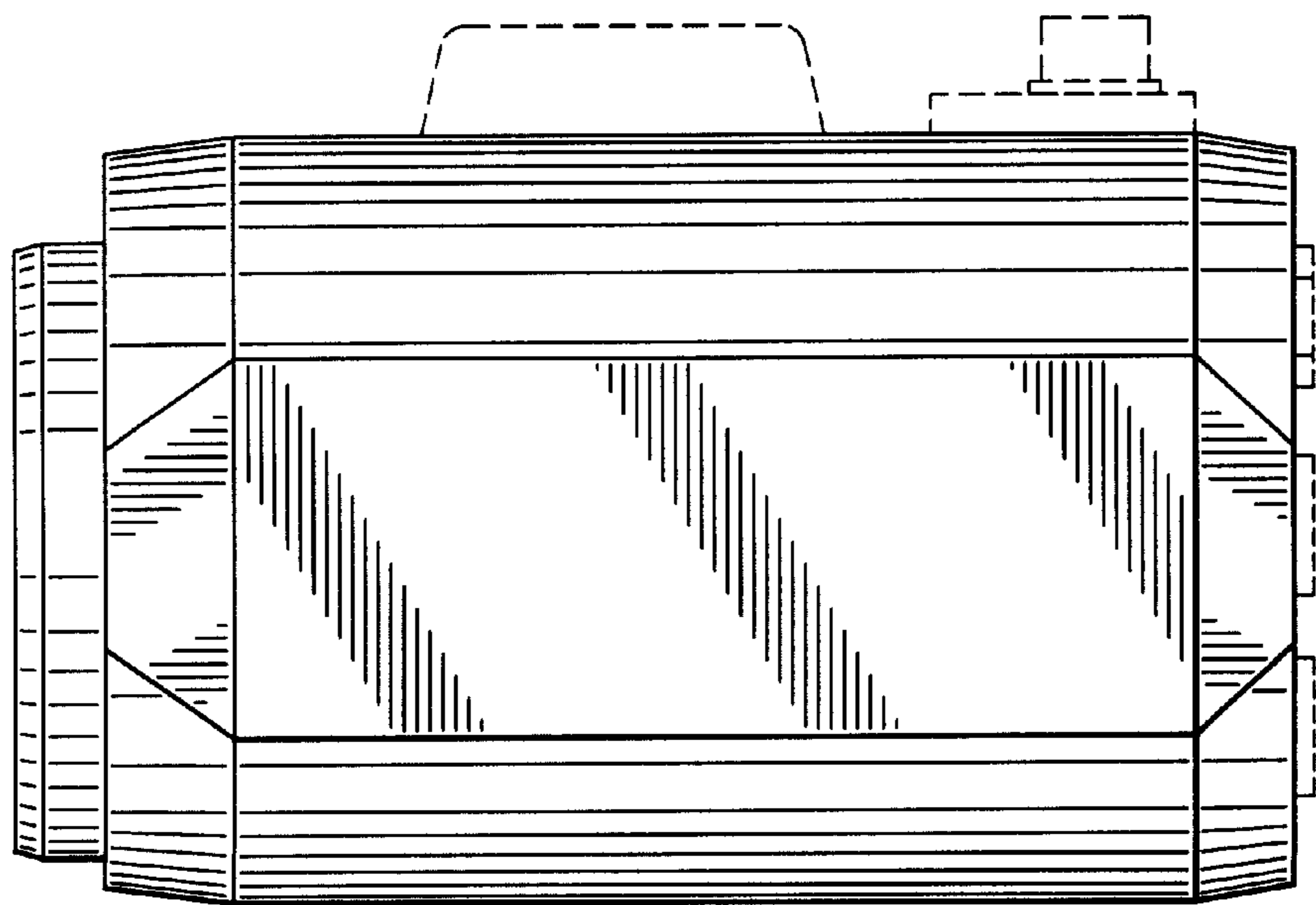


FIG. 3

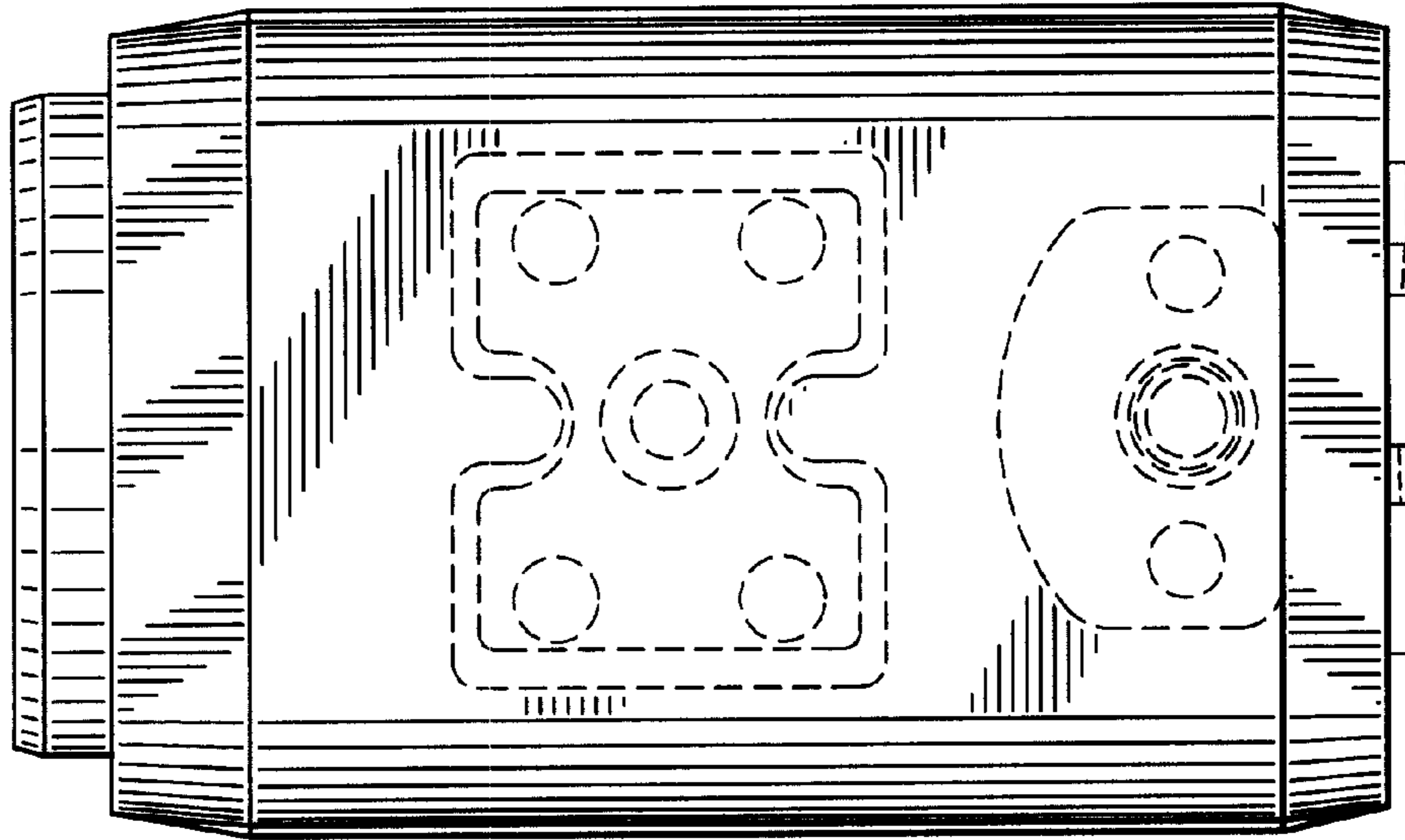


FIG. 4

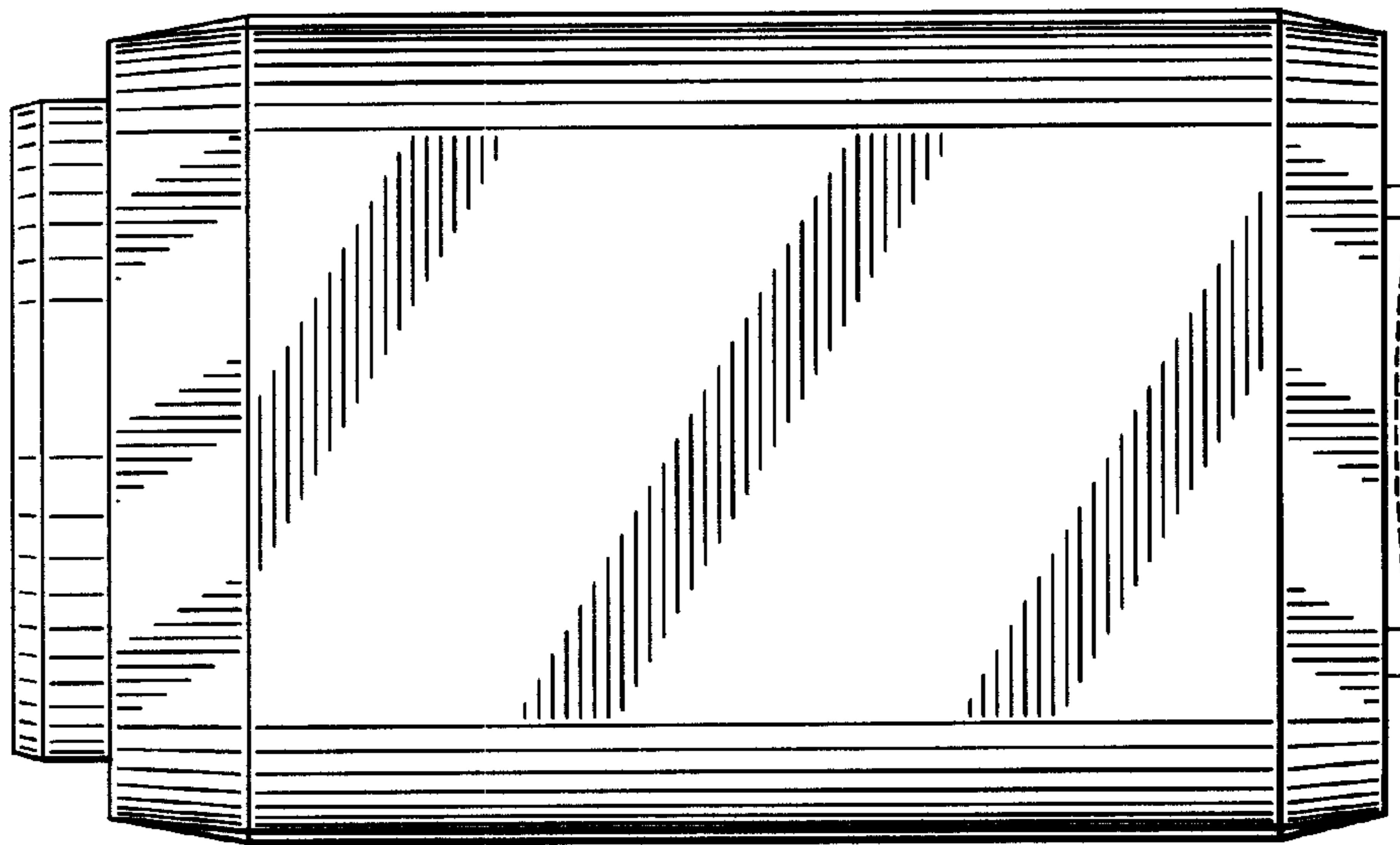


FIG. 5

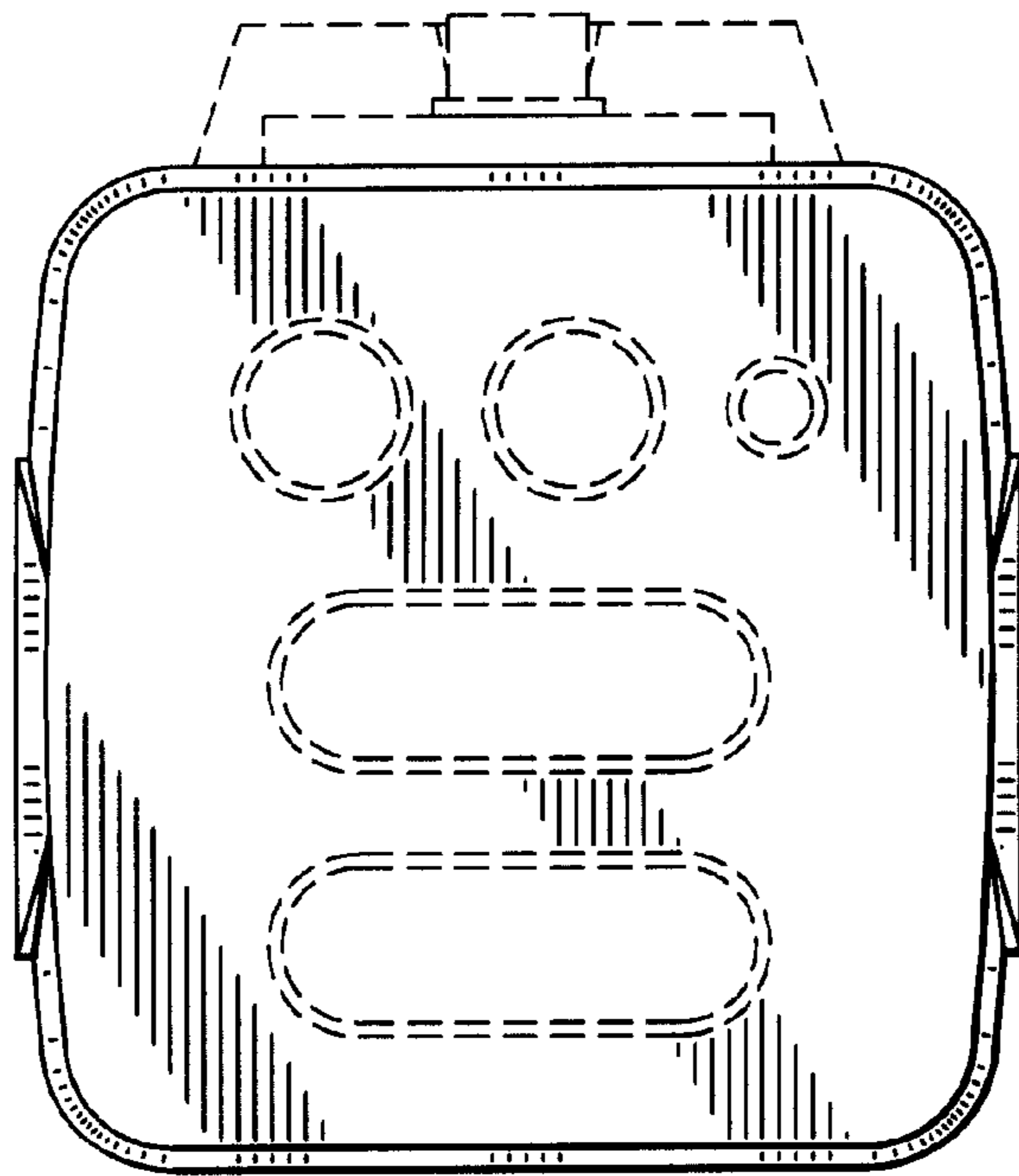


FIG. 6

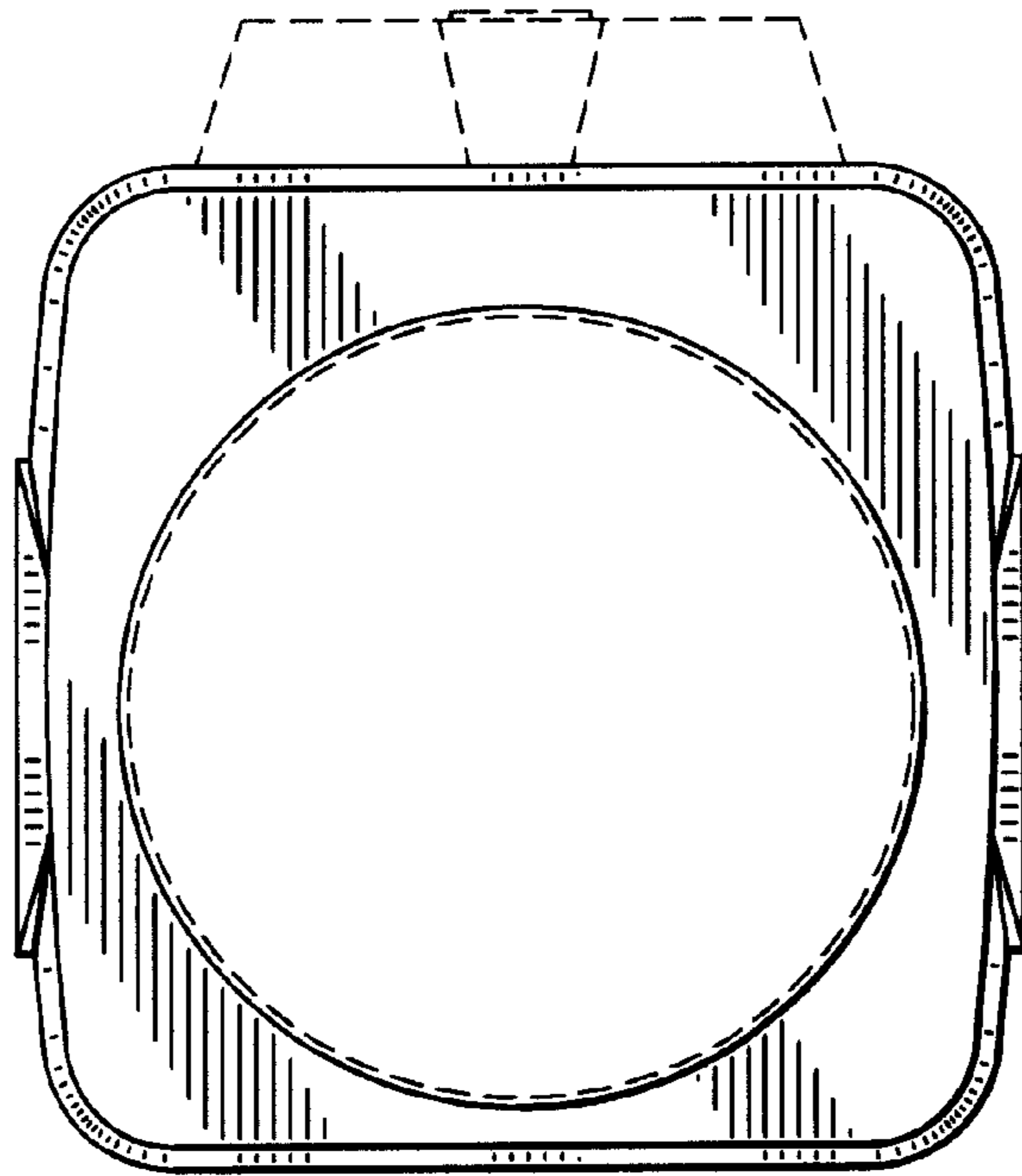


FIG. 7