



US00D472258S

(12) **United States Design Patent**
Yin et al.

(10) **Patent No.:** **US D472,258 S**

(45) **Date of Patent:** **** Mar. 25, 2003**

(54) **DIGITAL CAMERA**

(75) Inventors: **Chun-Hsiung Yin**, Yungkang (TW);
Wen-Ming Wu, Taipei (TW); **Fu-Long Hong**, Banchiau (TW)

(73) Assignee: **BENQ Corporation**, Taoyuan (TW)

(**) Term: **14 Years**

(21) Appl. No.: **29/160,210**

(22) Filed: **May 6, 2002**

(30) **Foreign Application Priority Data**

Mar. 22, 2002 (TW) 09301239

(51) **LOC (7) Cl.** **16-01**

(52) **U.S. Cl.** **D16/202; D16/218**

(58) **Field of Search** **D16/200-206,**
D16/208, 218; 348/373-376; 358/906, 909.1;
396/535-541

(56) **References Cited**

U.S. PATENT DOCUMENTS

- D272,072 S * 1/1984 Ainslie D16/218
- D296,551 S * 7/1988 Mizogui D16/202
- D384,964 S * 10/1997 Ito et al. D16/202
- D418,151 S * 12/1999 Sumita D16/202

- D436,976 S * 1/2001 Tanaka D16/202
- 6,208,380 B1 * 3/2001 Misawa 348/375
- D456,830 S * 5/2002 Chen D16/202
- 6,415,106 B2 * 7/2002 Hayashi et al. 358/909.1

OTHER PUBLICATIONS

Fujifilm—Imaging & Information, Apr. 1988 (FinePix 700).*

Better Homes and Gardens, Feb. 2000 (Polaroids's Photo-Max).*

* cited by examiner

Primary Examiner—Adir Aronovich

(74) *Attorney, Agent, or Firm*—Ladas & Parry

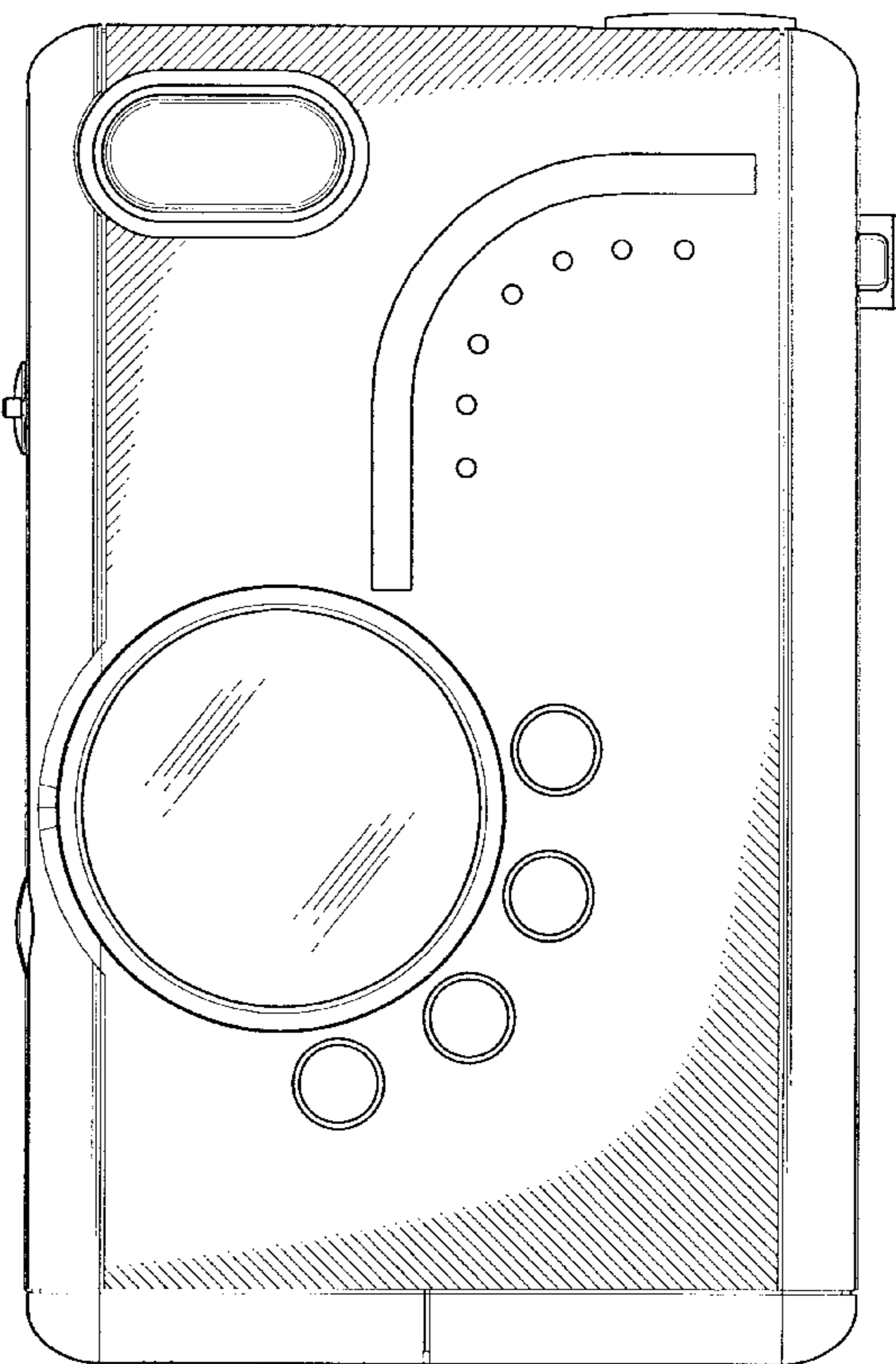
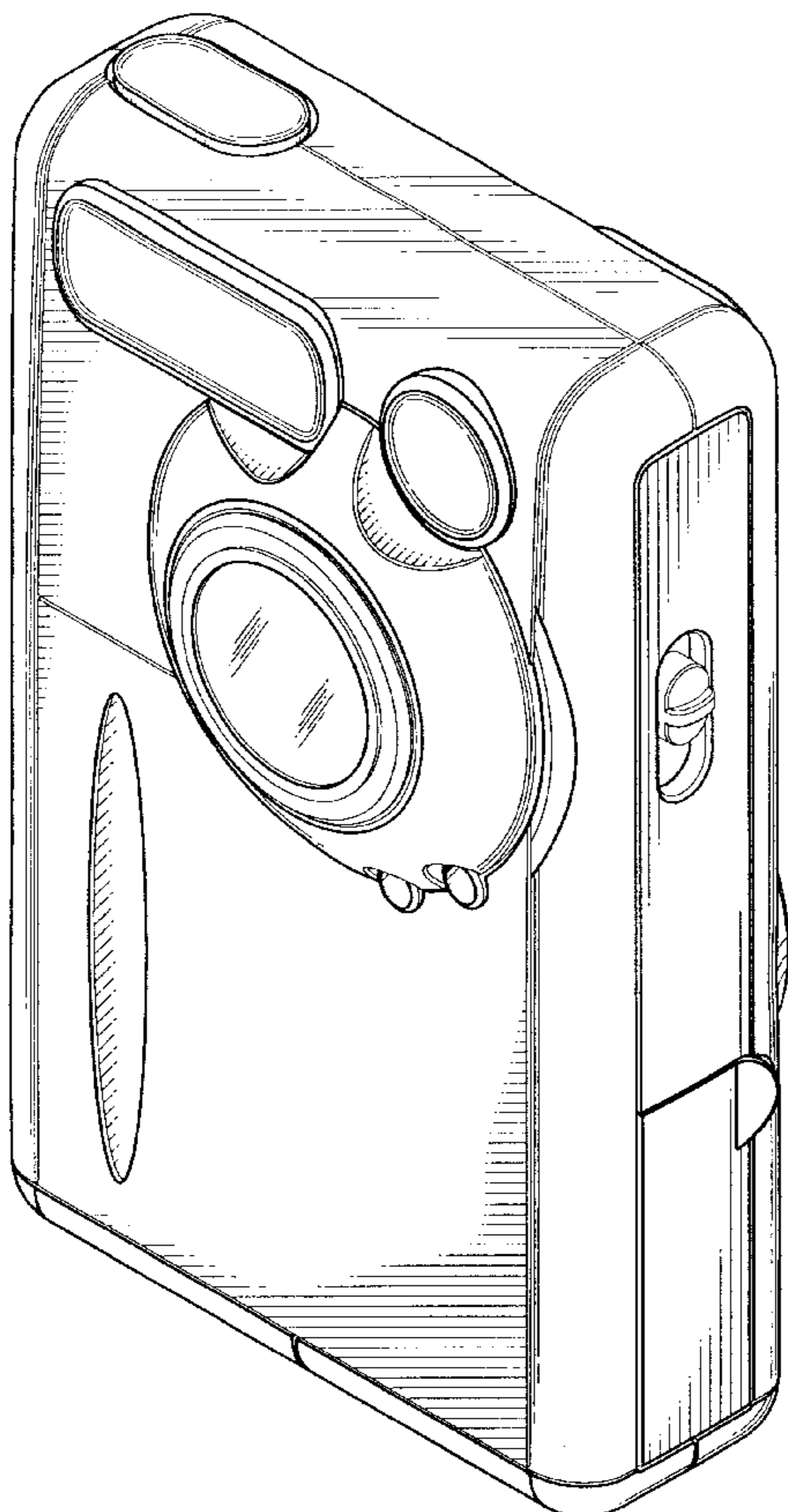
(57) **CLAIM**

The ornamental design for a digital camera, as shown and described.

DESCRIPTION

FIG. 1 is a front perspective view thereof;
FIG. 2 is a right side elevational view thereof;
FIG. 3 is a top plan view thereof; and
FIG. 4 is a front elevational view thereof;
FIG. 5 is a bottom plan view thereof;
FIG. 6 is a left side elevational view thereof; and,
FIG. 7 is a rear elevational view thereof.

1 Claim, 7 Drawing Sheets



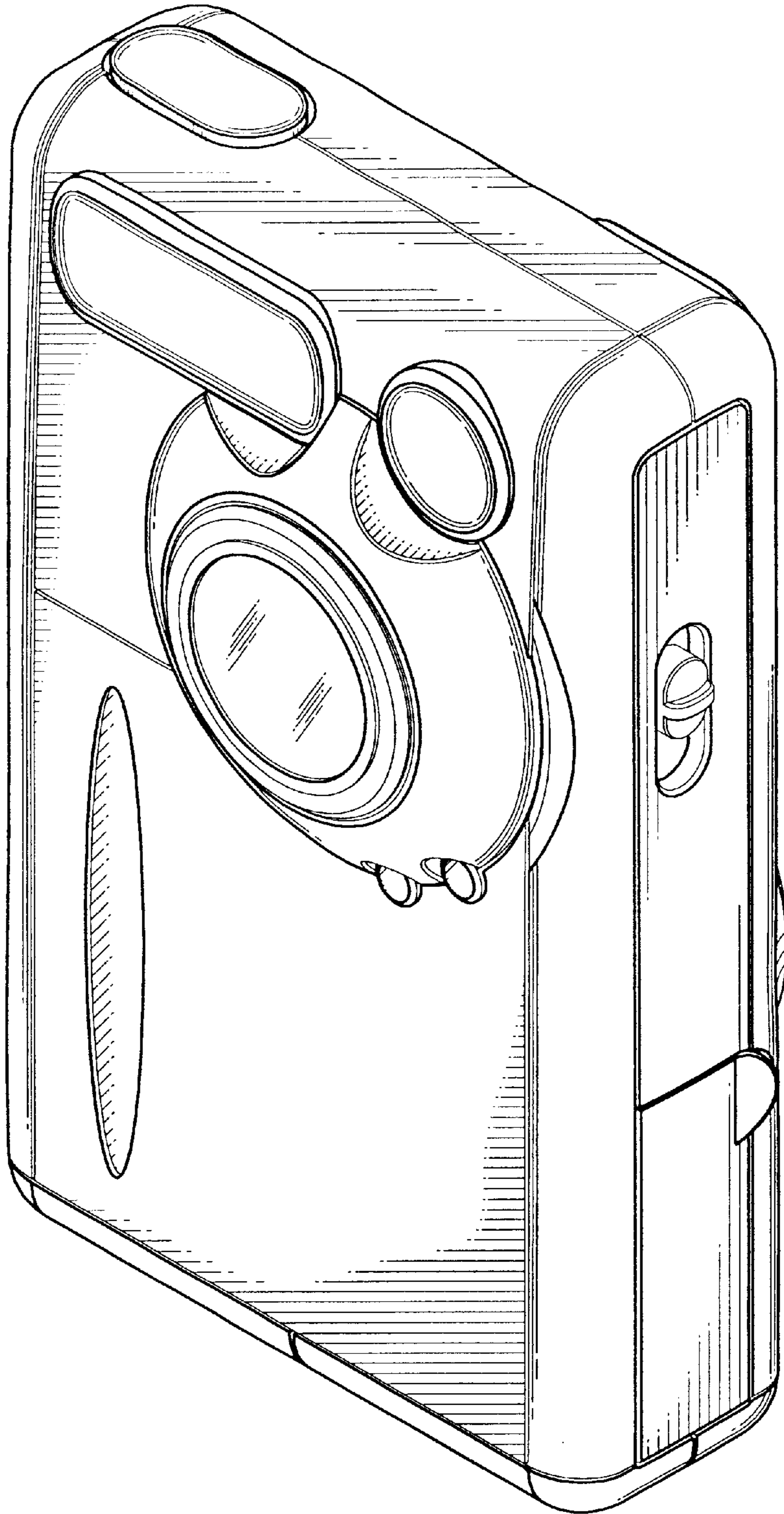


FIG. 1

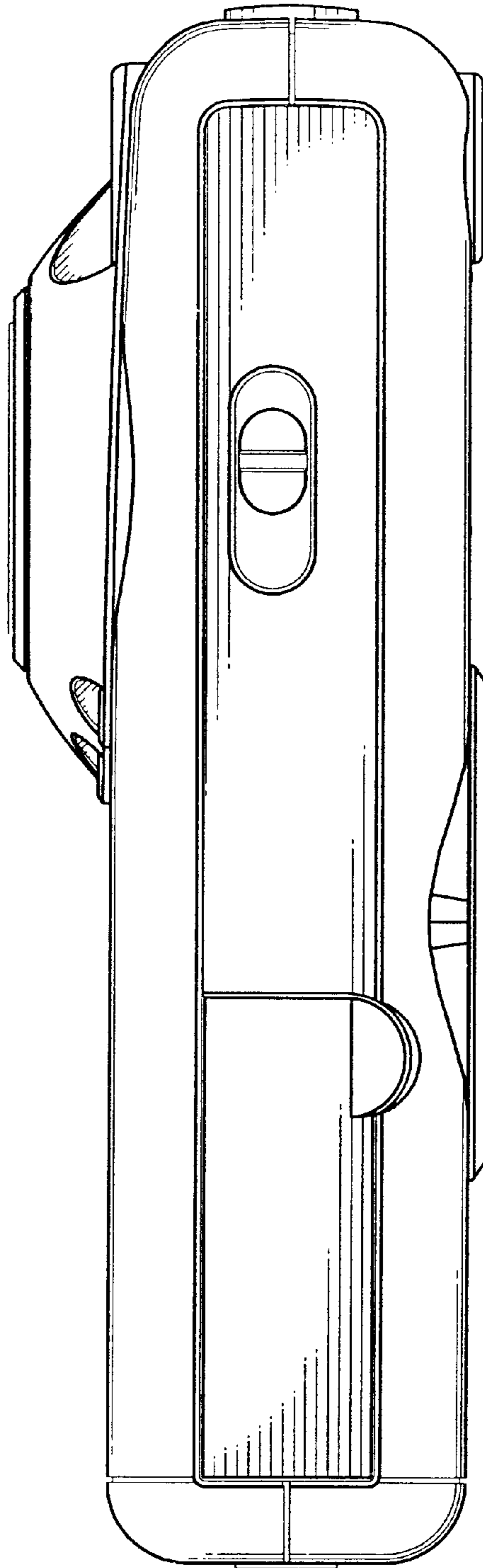


FIG. 2

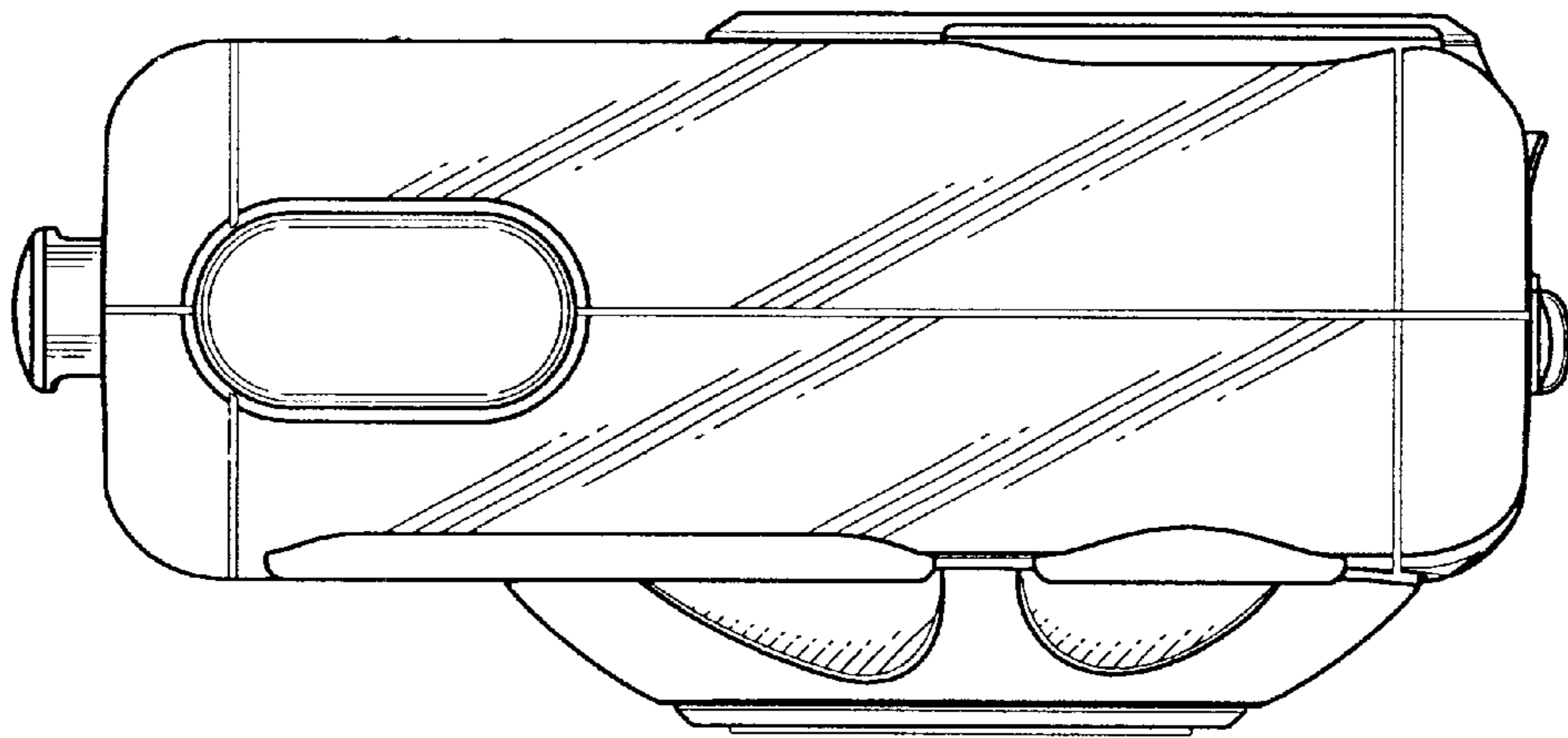


FIG. 3

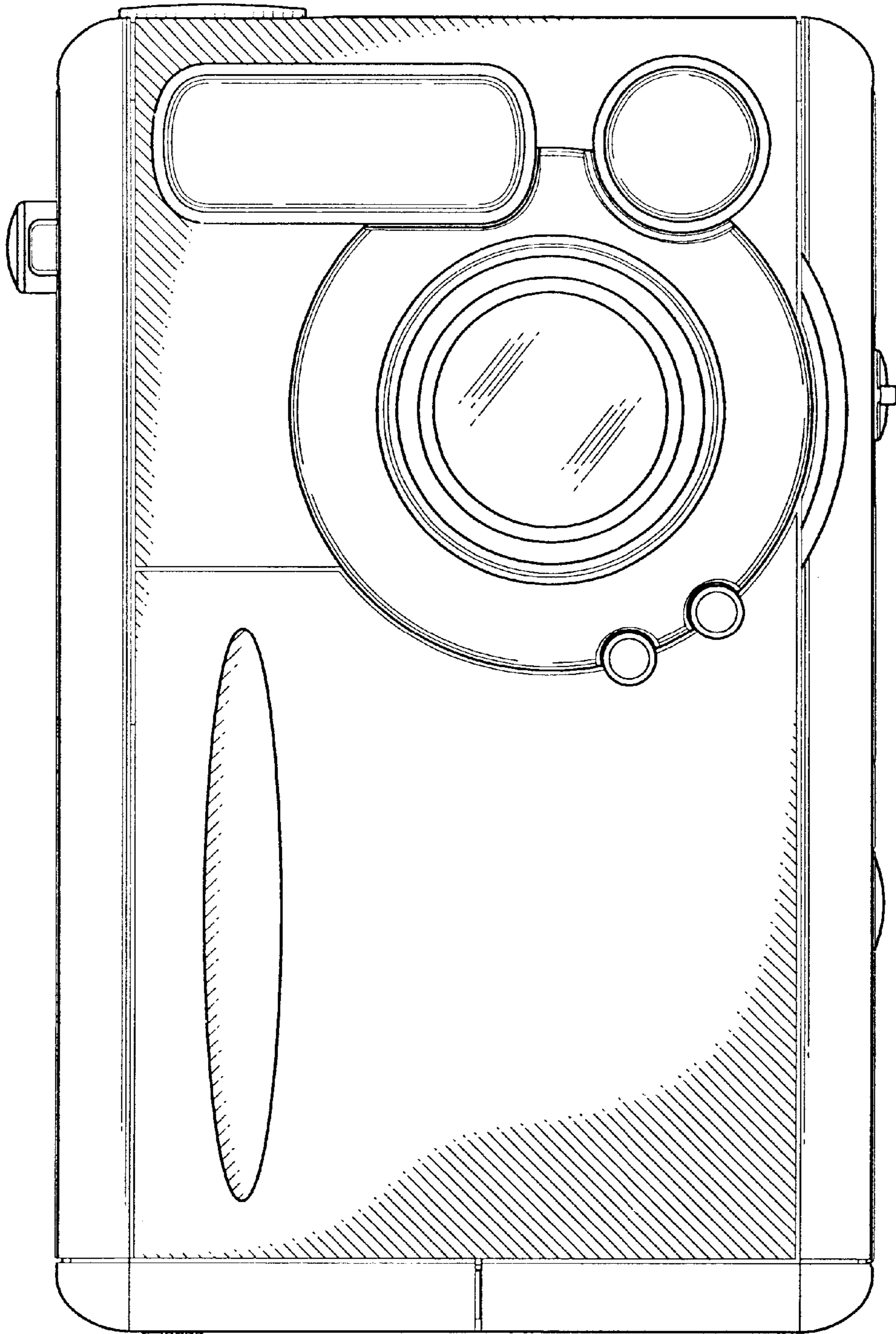


FIG. 4

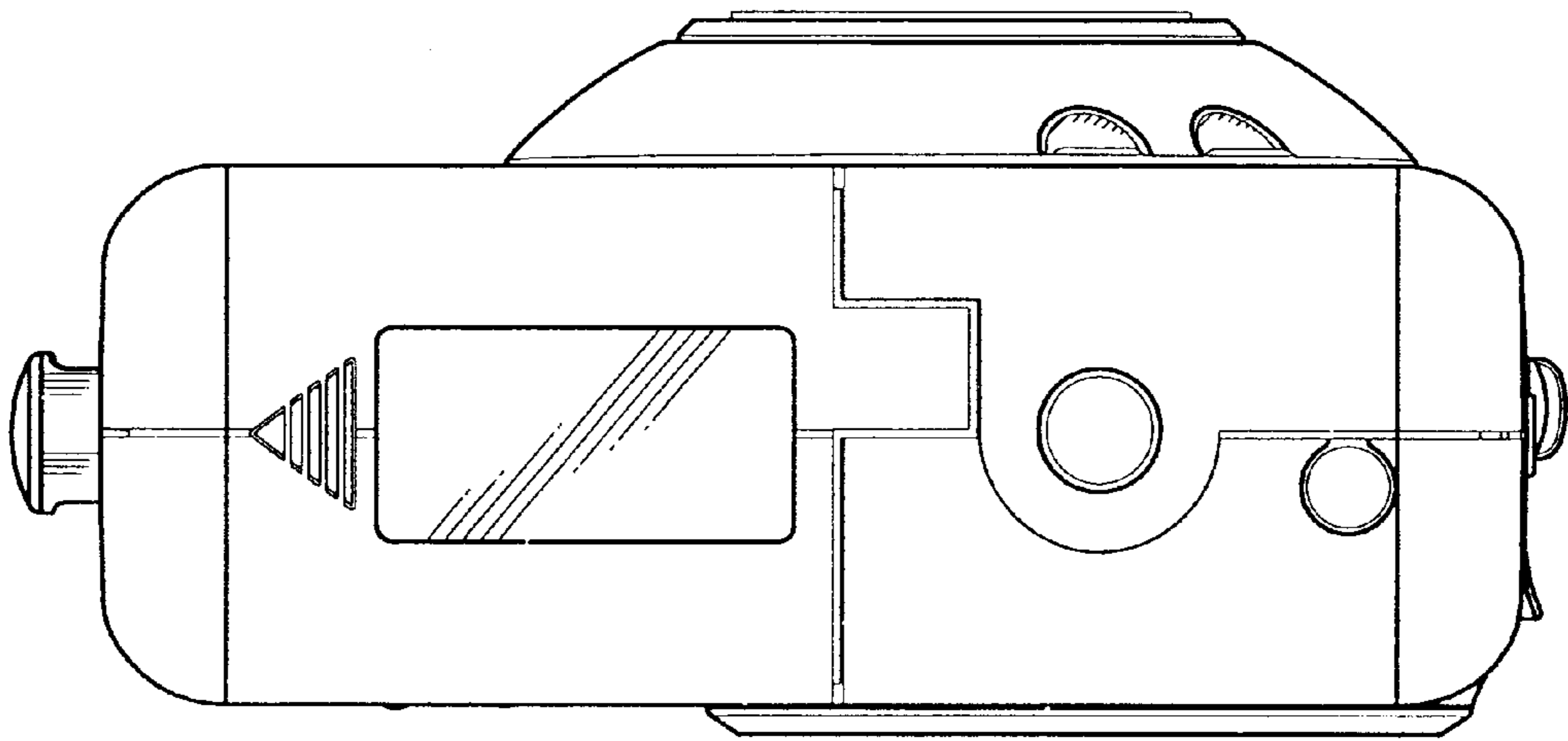


FIG. 5

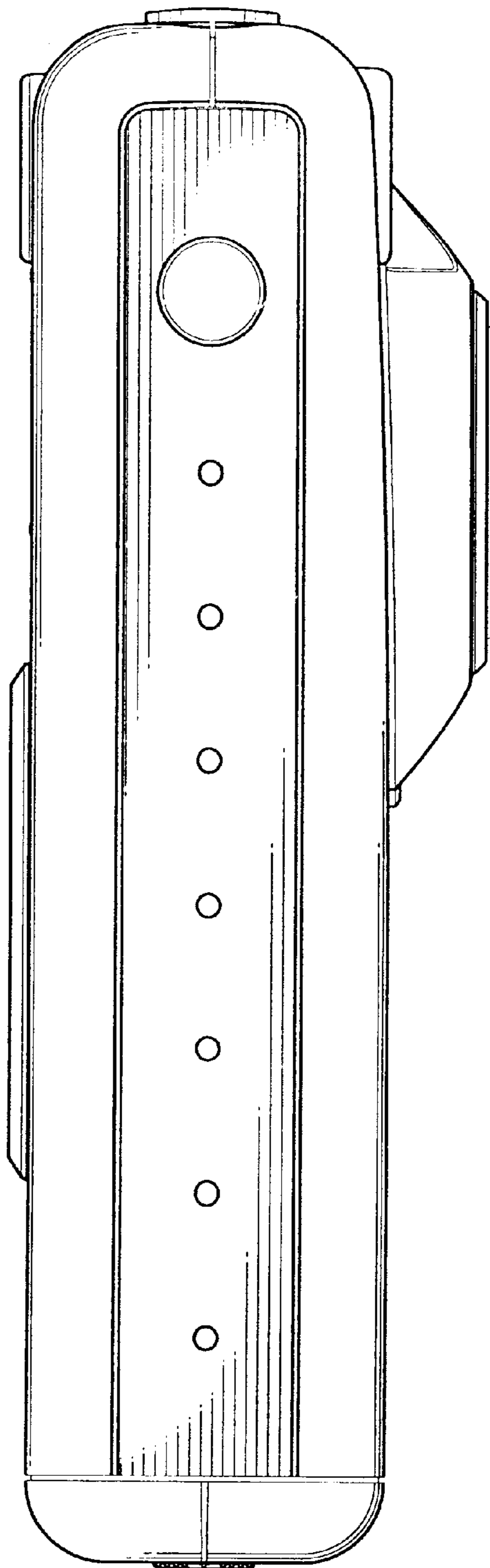


FIG. 6

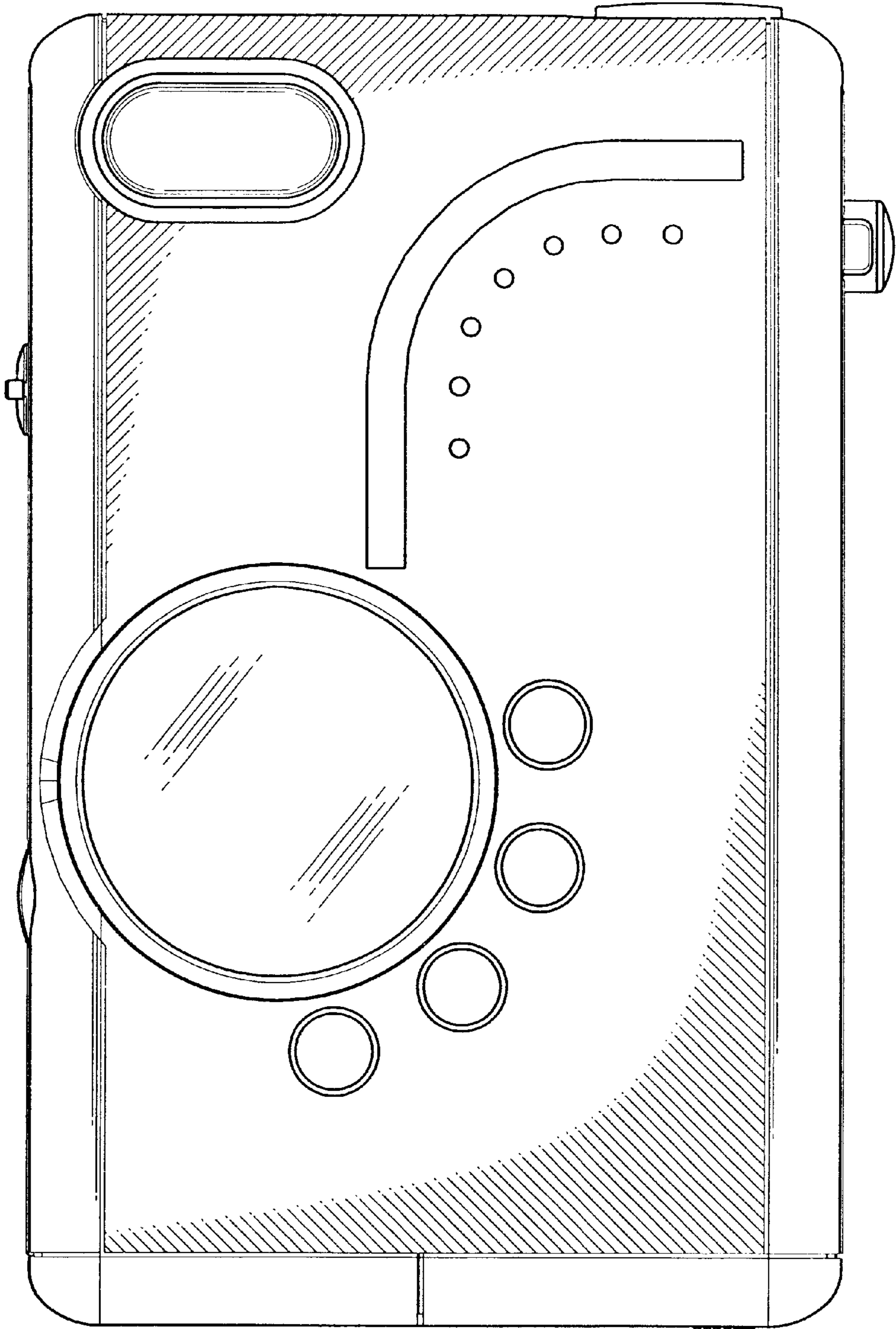


FIG. 7