



US00D472257S

(12) **United States Design Patent**
Fujii

(10) **Patent No.:** **US D472,257 S**

(45) **Date of Patent:** **** Mar. 25, 2003**

(54) **BINOCULARS**

(75) **Inventor:** **Akio Fujii, Tokyo (JP)**

(73) **Assignee:** **Asahi Kogaku Kogyo Kabushiki Kaisha, Tokyo (JP)**

(**) **Term:** **14 Years**

(21) **Appl. No.:** **29/160,783**

(22) **Filed:** **May 17, 2002**

(30) **Foreign Application Priority Data**

Nov. 20, 2001 (JP) 2001-033967

(51) **LOC (7) Cl. 16-06**

(52) **U.S. Cl. D16/133**

(58) **Field of Search** D16/130, 133,
D16/136; 359/408, 409, 410, 411, 412,
414, 415, 416, 418, 419

(56) **References Cited**

U.S. PATENT DOCUMENTS

- D238,304 S * 12/1975 Hengst D16/133
- D299,724 S * 2/1989 Aoki D16/133
- 5,231,535 A * 7/1993 Peters et al. 359/414

- D346,175 S * 4/1994 Chan D16/133
- D367,662 S * 3/1996 Chan D16/133
- D387,077 S * 12/1997 Lee D16/133
- D392,986 S * 3/1998 Katou D16/133
- D395,055 S * 6/1998 Lee D16/133
- D412,177 S * 7/1999 Fujii D16/133
- D412,921 S * 8/1999 Hayamizu D16/133
- D447,160 S * 8/2001 Kishigami et al. D16/133

* cited by examiner

Primary Examiner—Paula A. Mortimer

(74) *Attorney, Agent, or Firm*—Sughrue Mion, PLLC

(57) **CLAIM**

The ornamental design for binoculars, as shown.

DESCRIPTION

FIG. 1 is a perspective view of the top, front, and right side of binoculars showing my new design;
 FIG. 2 is a front elevational view thereof;
 FIG. 3 is a top plan view thereof;
 FIG. 4 is a right side elevational view;
 FIG. 5 is a rear elevational view thereof;
 FIG. 6 is a left side elevational view thereof; and,
 FIG. 7 is a bottom plan view thereof.

1 Claim, 4 Drawing Sheets

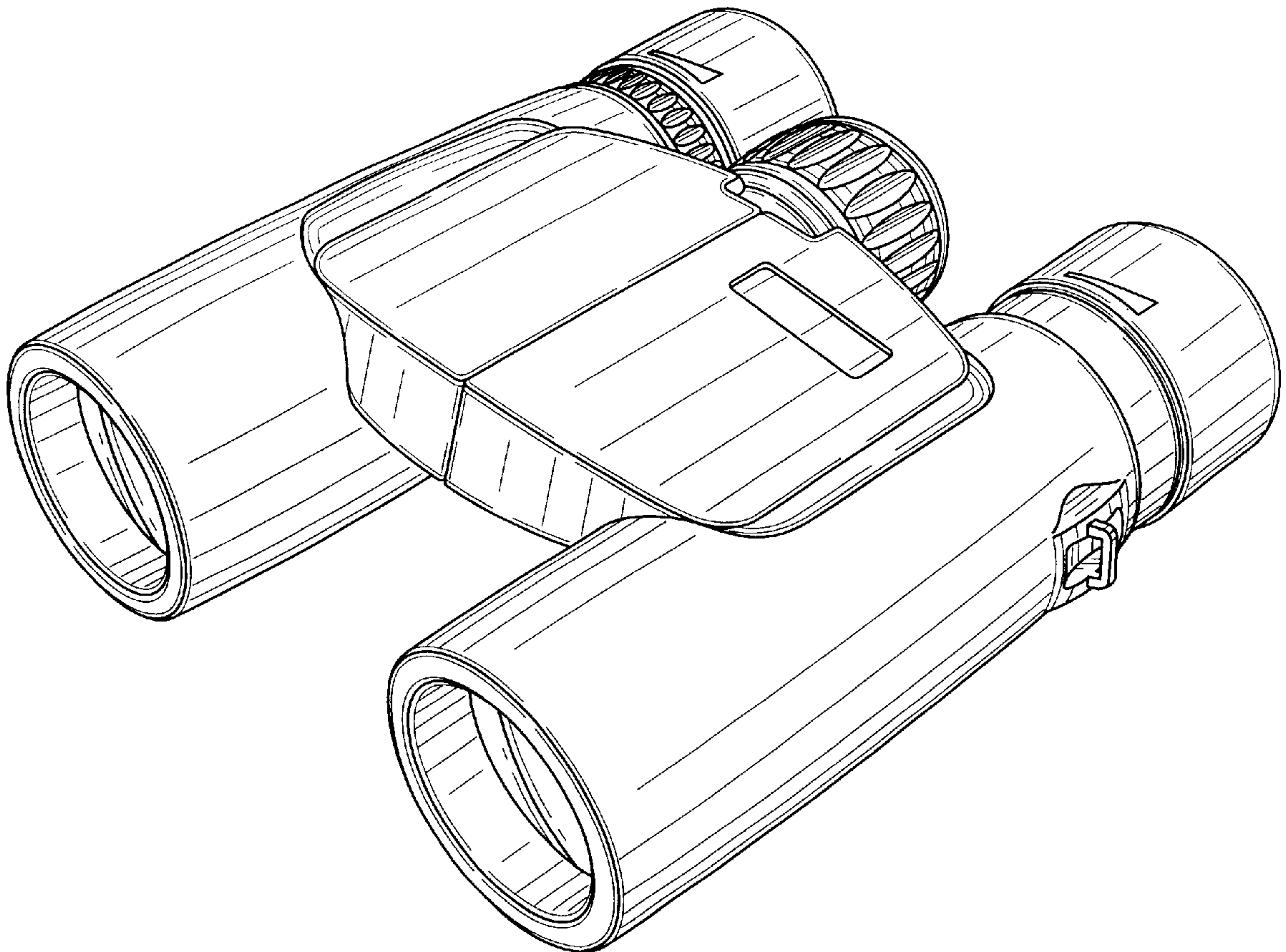


FIG. 1

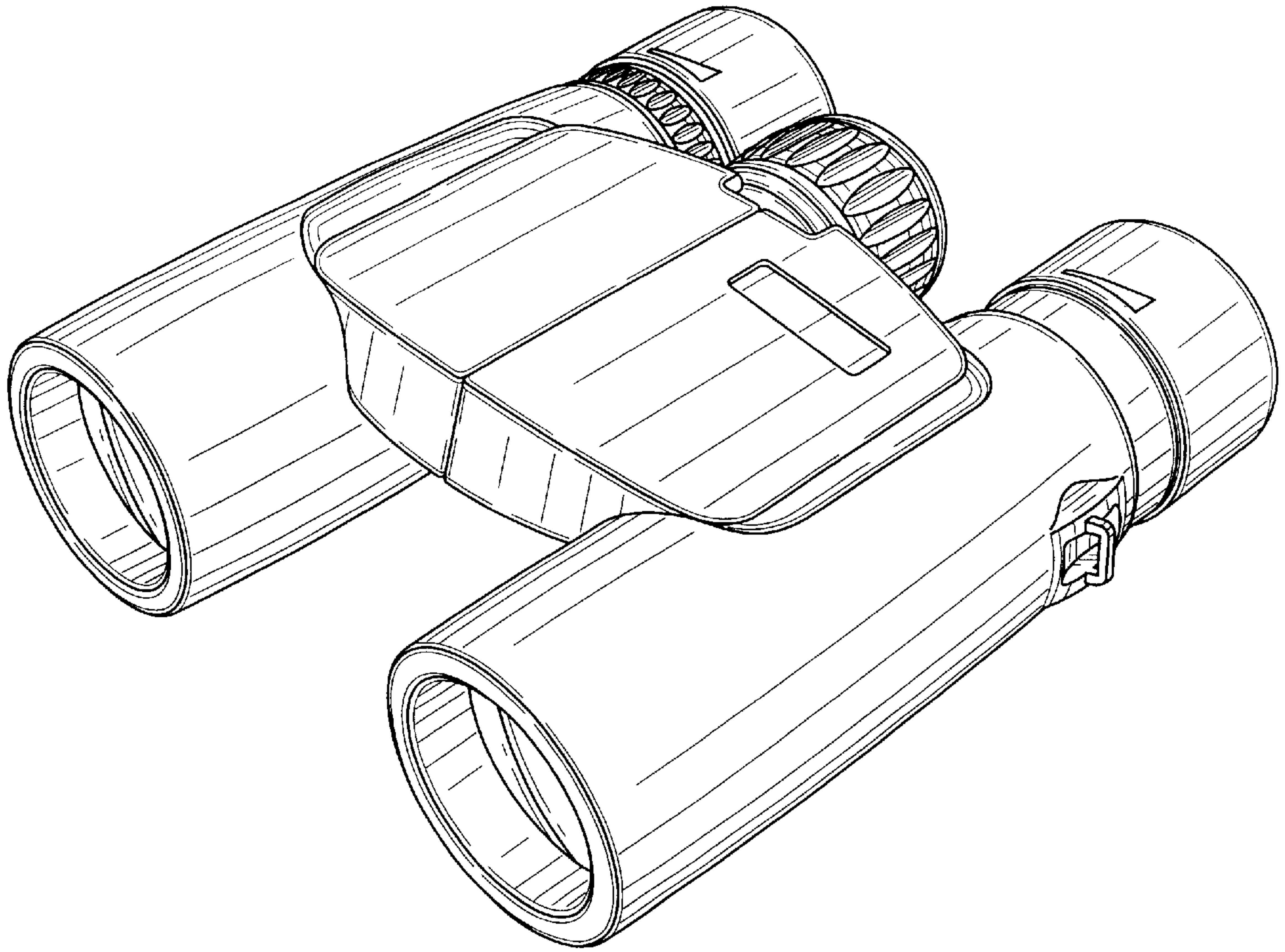


FIG. 2

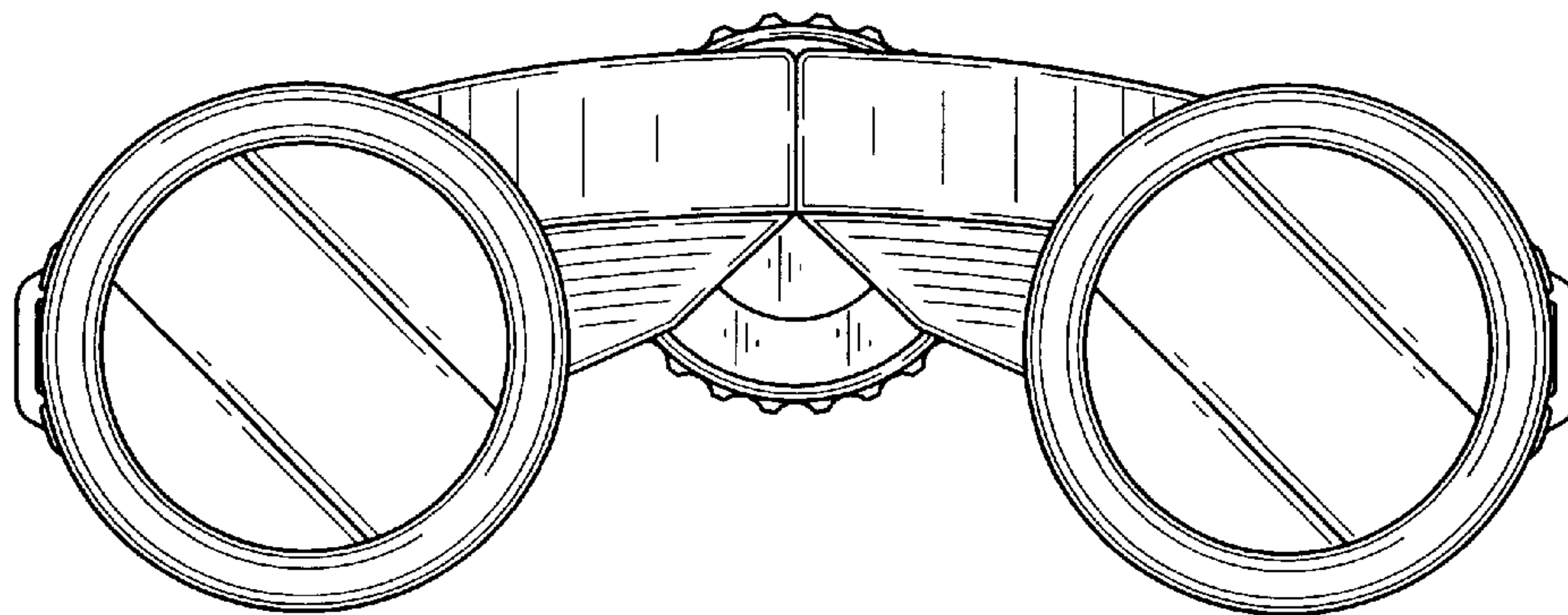


FIG. 3

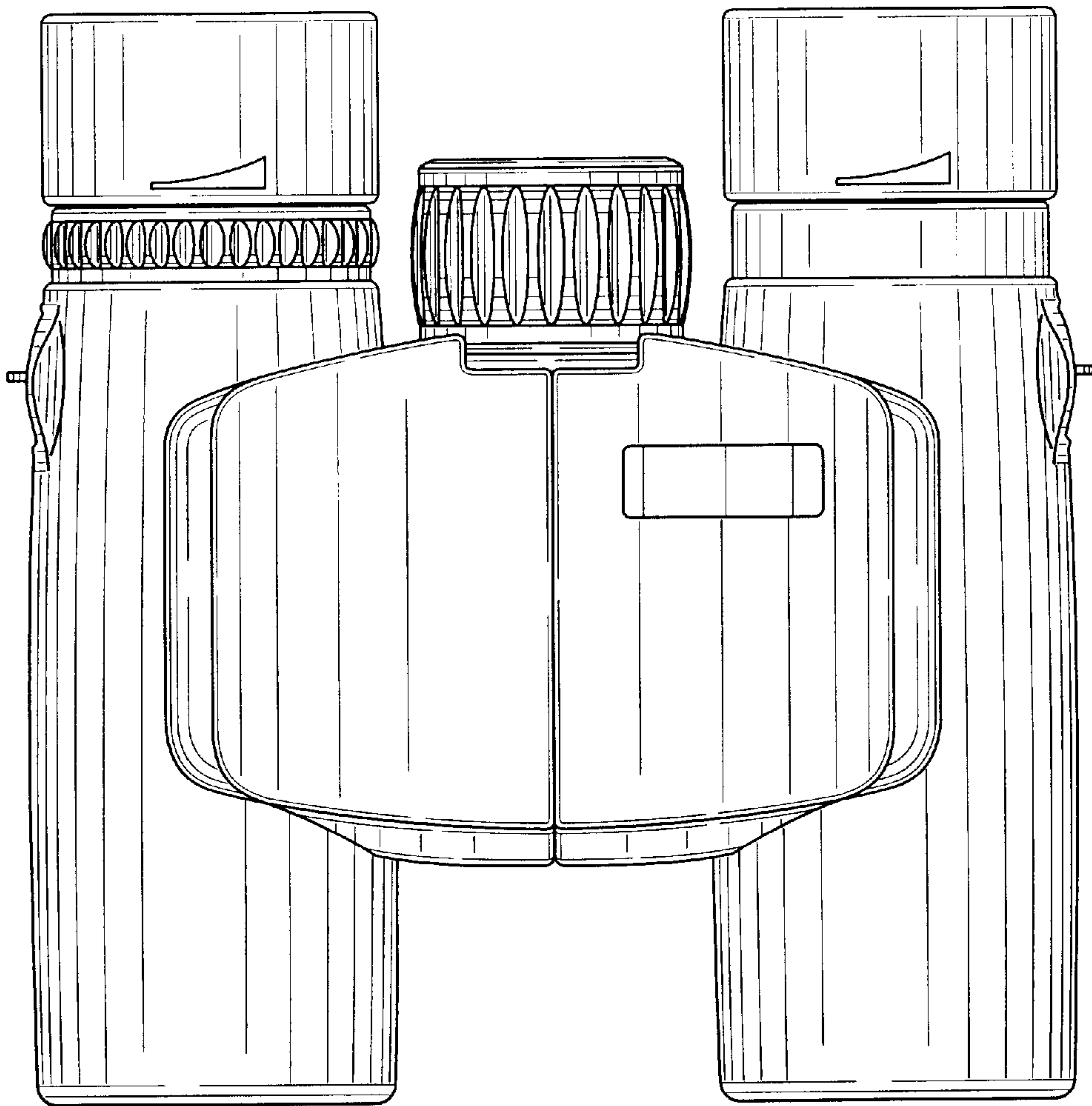


FIG. 4

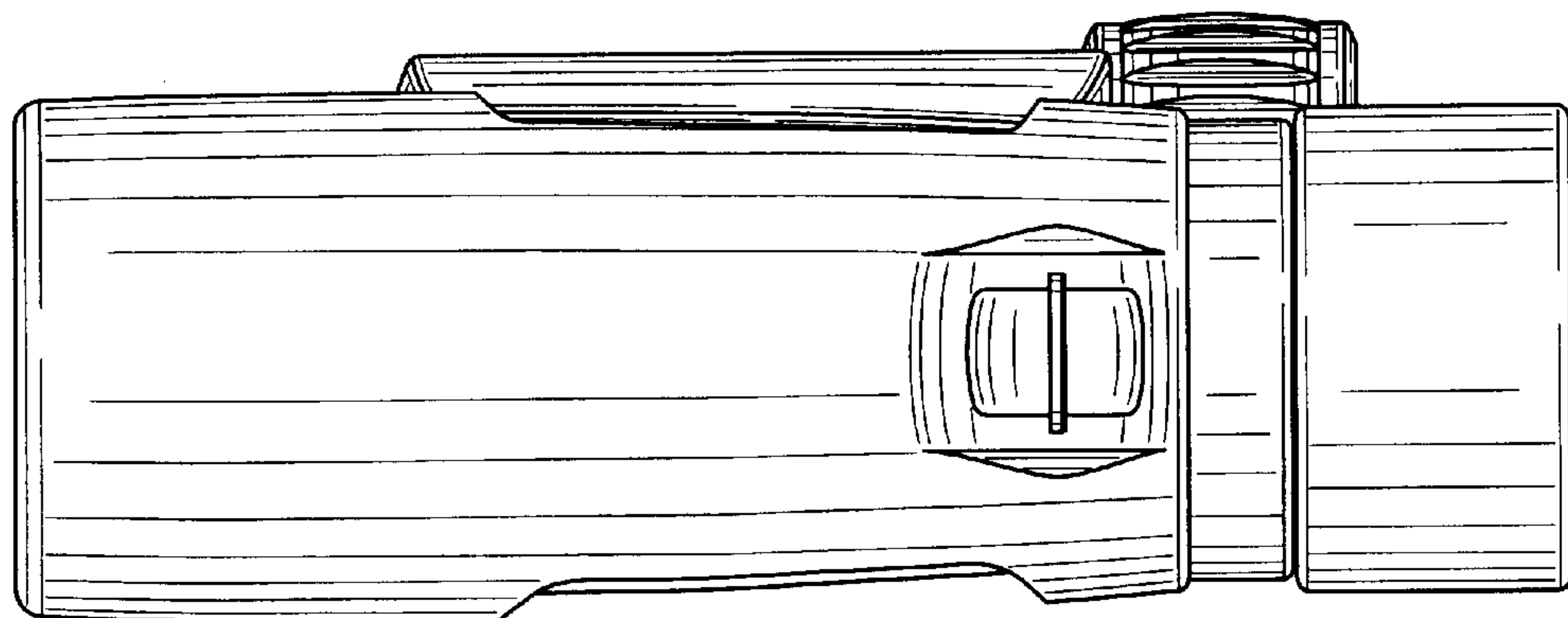


FIG. 5

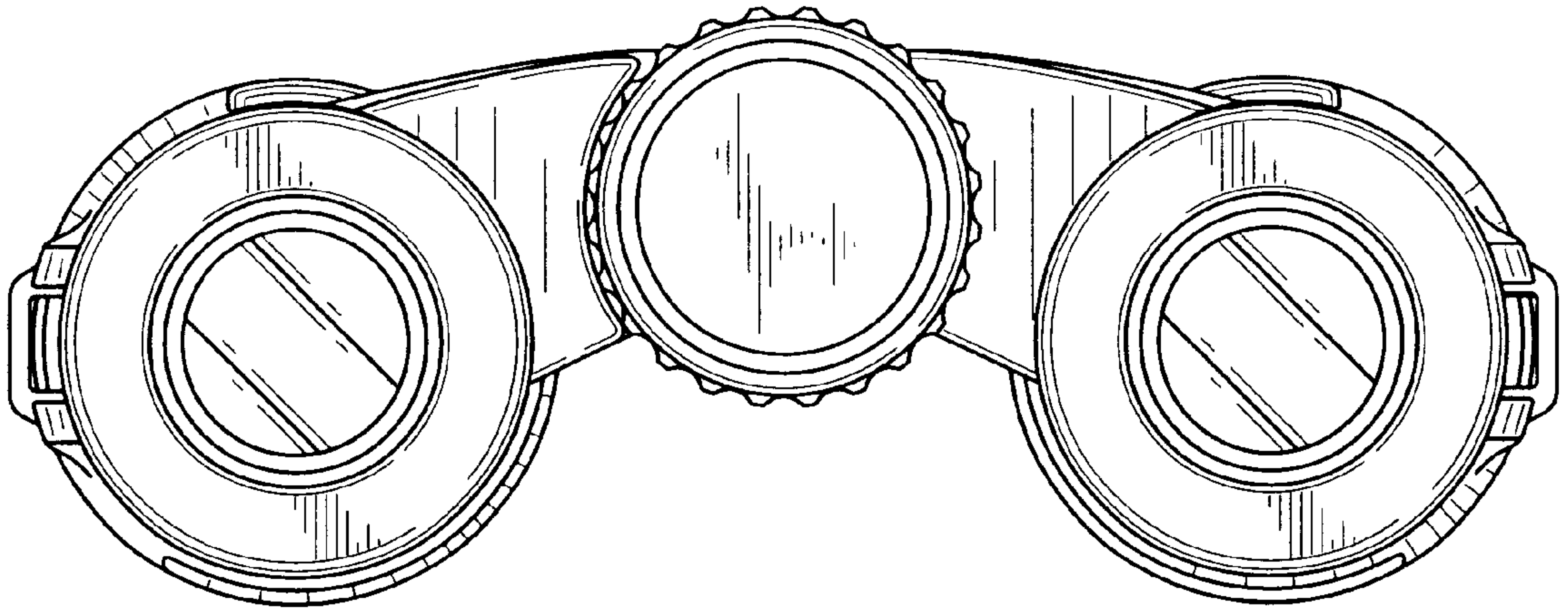


FIG. 6

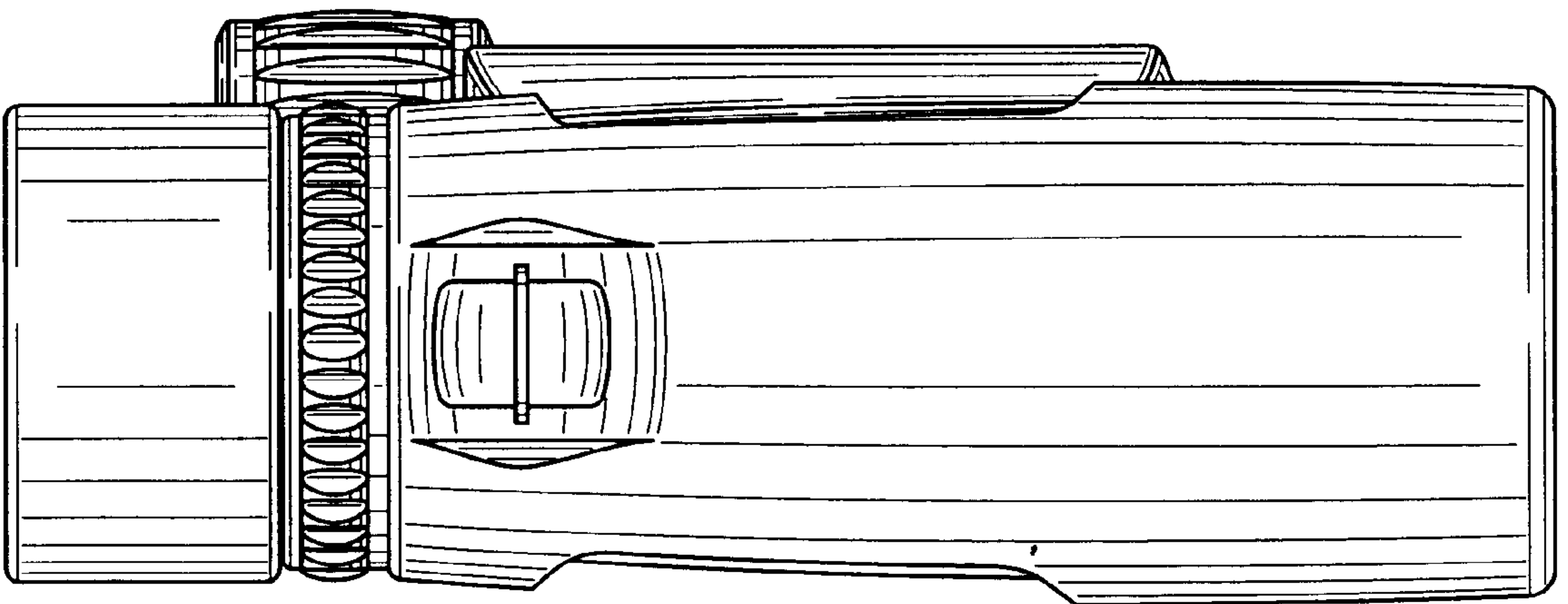


FIG. 7

