



US00D472256S

(12) **United States Design Patent**
Schick

(10) **Patent No.: US D472,256 S**
(45) **Date of Patent: ** Mar. 25, 2003**

(54) **SIGHTING DEVICE**

(75) Inventor: **Darin W. Schick**, Livonia, MI (US)

(73) Assignee: **Trijicon, Inc.**, Wixom, MI (US)

(**) Term: **14 Years**

(21) Appl. No.: **29/162,503**

(22) Filed: **Jun. 17, 2002**

(51) **LOC (7) Cl.** **16-06**

(52) **U.S. Cl.** **D16/132**

(58) **Field of Search** D16/130, 132,
D16/135, 200, 202; D22/108, 109; 356/252;
359/350, 351, 353, 399, 400, 404, 419,
407, 420

(56) **References Cited**

U.S. PATENT DOCUMENTS

2,780,130 A 2/1957 Mauer

(List continued on next page.)

FOREIGN PATENT DOCUMENTS

WO WO97/00419 1/1997

Primary Examiner—Paula A. Mortimer

(74) *Attorney, Agent, or Firm*—Harness, Dickey & Pierce, P.L.C.

(57) **CLAIM**

The ornamental design for a design for sighting device, substantially as shown and described.

DESCRIPTION

FIG. 1 is a perspective view of a sighting device taken generally from the front upper end of the sighting device; FIG. 2 is a perspective view of the sighting device of FIG. 1 taken generally from the rear upper end of the sighting device;

FIG. 3 is a side elevational view of the sighting device of FIG. 1 showing the side opposite of the side shown in FIGS. 1 and 2;

FIG. 4 is a side elevational view of the sighting device of FIG. 1 of the side as shown in FIGS. 1 and 2 and opposite from the side shown in FIG. 3;

FIG. 5 is an end elevational view of the sighting device of FIG. 1 generally as seen in FIG. 2;

FIG. 6 is a front elevational view of the sighting device of FIG. 1 generally as seen in FIG. 1;

FIG. 7 is a top elevational view of the sighting device of FIG. 1; and

FIG. 8 is a bottom elevational view of the sighting device of FIG. 1;

FIG. 1a is a perspective view of a sighting device of a design modified from that of FIG. 1 and taken generally from the front upper end of the sighting device;

FIG. 2a is a perspective view of the sighting device of FIG. 1a taken generally from the rear upper end of the sighting device;

FIG. 3a is a side elevational view of the sighting device of FIG. 1a showing the side opposite of the side shown in FIGS. 1a and 2a;

FIG. 4a is a side elevational view of the sighting device of FIG. 1a of the side as shown in FIGS. 1a and 2a and opposite from the side shown in FIG. 3a;

FIG. 5a is an end elevational view of the sighting device of FIG. 1a generally as seen in FIG. 2a;

FIG. 6a is a front elevational view of the sighting device of FIG. 1a generally as seen in FIG. 1a;

FIG. 7a is a top elevational view of the sighting device of FIG. 1a; and

FIG. 8a is a bottom elevational view of the sighting device of FIG. 1a;

FIG. 1b is a perspective view of a sighting device of a design modified from that of FIGS. 1 and 1a and taken generally from the front upper end of the sighting device;

FIG. 2b is a perspective view of the sighting device of FIG. 1b taken generally from the rear upper end of the sighting device;

FIG. 3b is a side elevational view of the sighting device of FIG. 1b showing the side opposite of the side shown in FIGS. 1b and 2b;

FIG. 4b is a side elevational view of the sighting device of FIG. 1b of the side as shown in FIGS. 1b and 2b and opposite from the side shown in FIG. 3b;

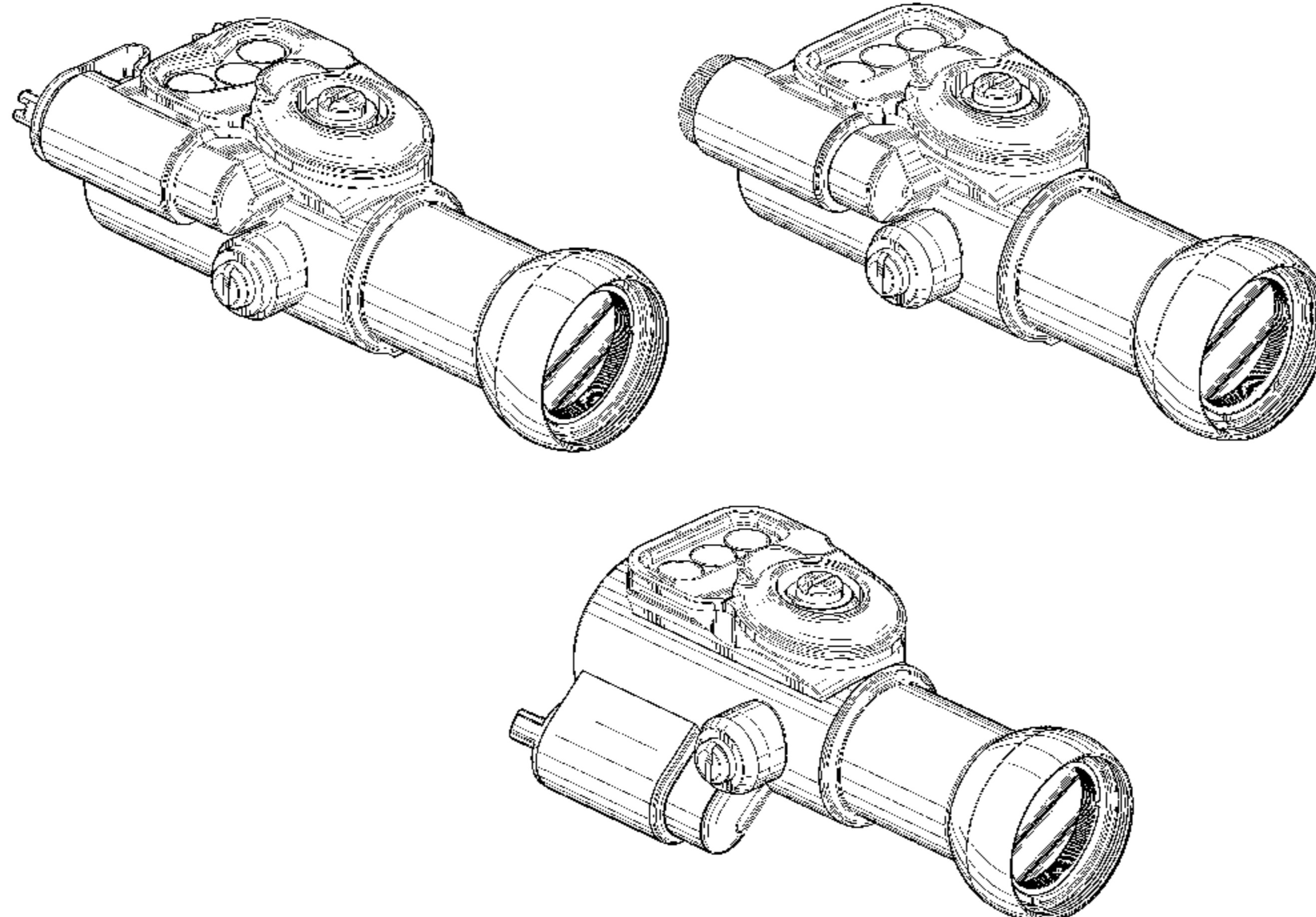
FIG. 5b is an end elevational view of the sighting device of FIG. 1b generally as seen in FIG. 2b;

FIG. 6b is a front elevational view of the sighting device of FIG. 1b generally as seen in FIG. 1b;

FIG. 7b is a top elevational view of the sighting device of FIG. 1b; and,

FIG. 8b is a bottom elevational view of the sighting device of FIG. 1b.

1 Claim, 20 Drawing Sheets



US D472,256 S

Page 2

U.S. PATENT DOCUMENTS

4,417,814 A	11/1983	Doliber	
D287,977 S	* 1/1987	Cannon D16/132
4,665,622 A	5/1987	Idan	
4,764,011 A	8/1988	Goldstein	
4,806,007 A	2/1989	Bindon	
4,877,324 A	10/1989	Hauri et al.	
D312,089 S	* 11/1990	Jörlöv D16/132
D344,531 S	* 2/1994	Nemoto D16/132
D365,858 S	* 1/1996	Tomita D22/109
D369,367 S	* 4/1996	Tomita D16/132
D374,022 S	* 9/1996	Meinzer D16/132
5,653,034 A	8/1997	Bindon	
D395,440 S	* 6/1998	Ogasawara et al. D16/132
5,924,234 A	7/1999	Bindon et al.	
D414,835 S	10/1999	Otteman et al.	
D415,546 S	10/1999	Otteman et al.	
D416,972 S	11/1999	Otteman et al.	
D420,718 S	2/2000	Otteman et al.	
D439,259 S	* 3/2001	Yamaguchi D16/132

* cited by examiner

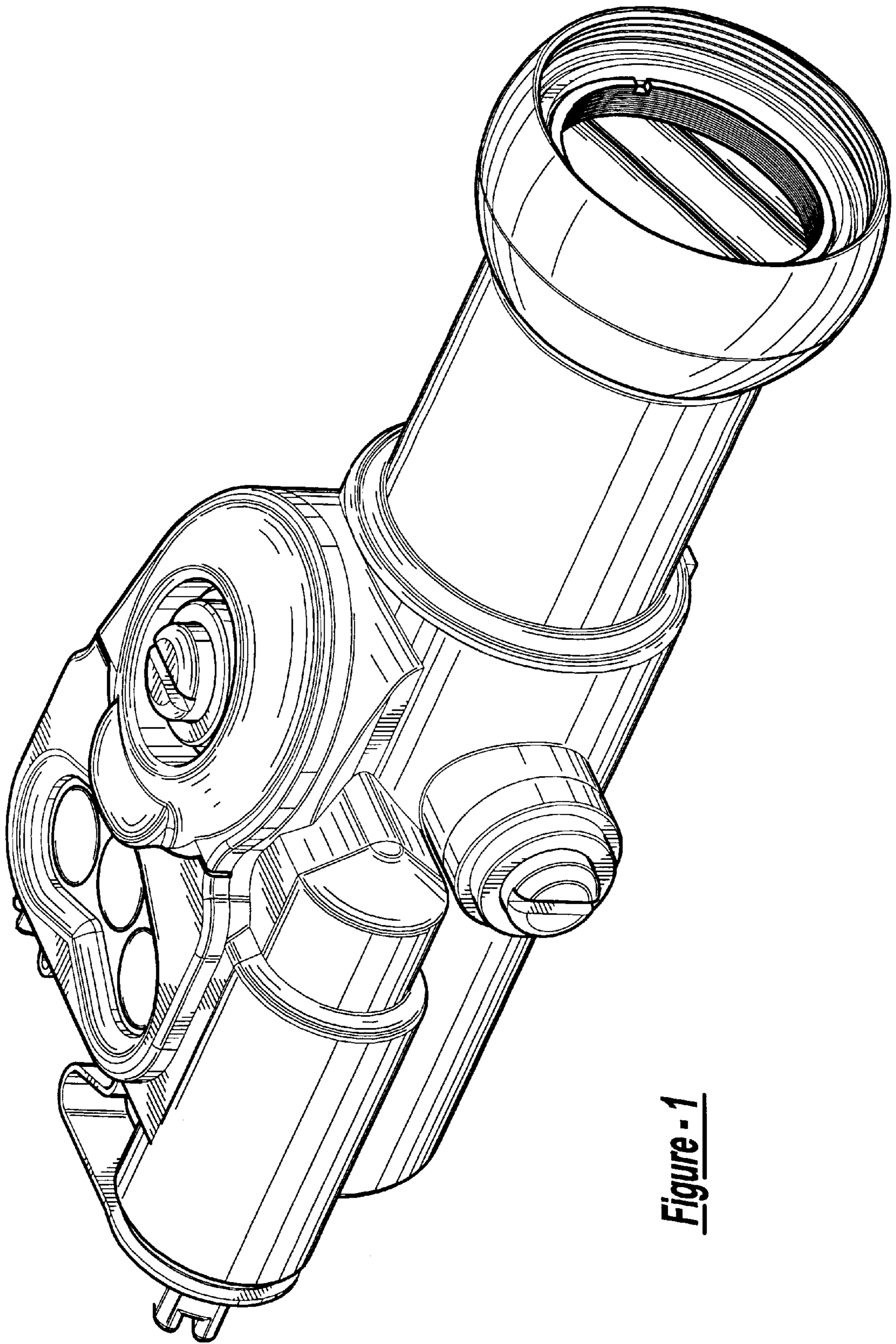


Figure - 1

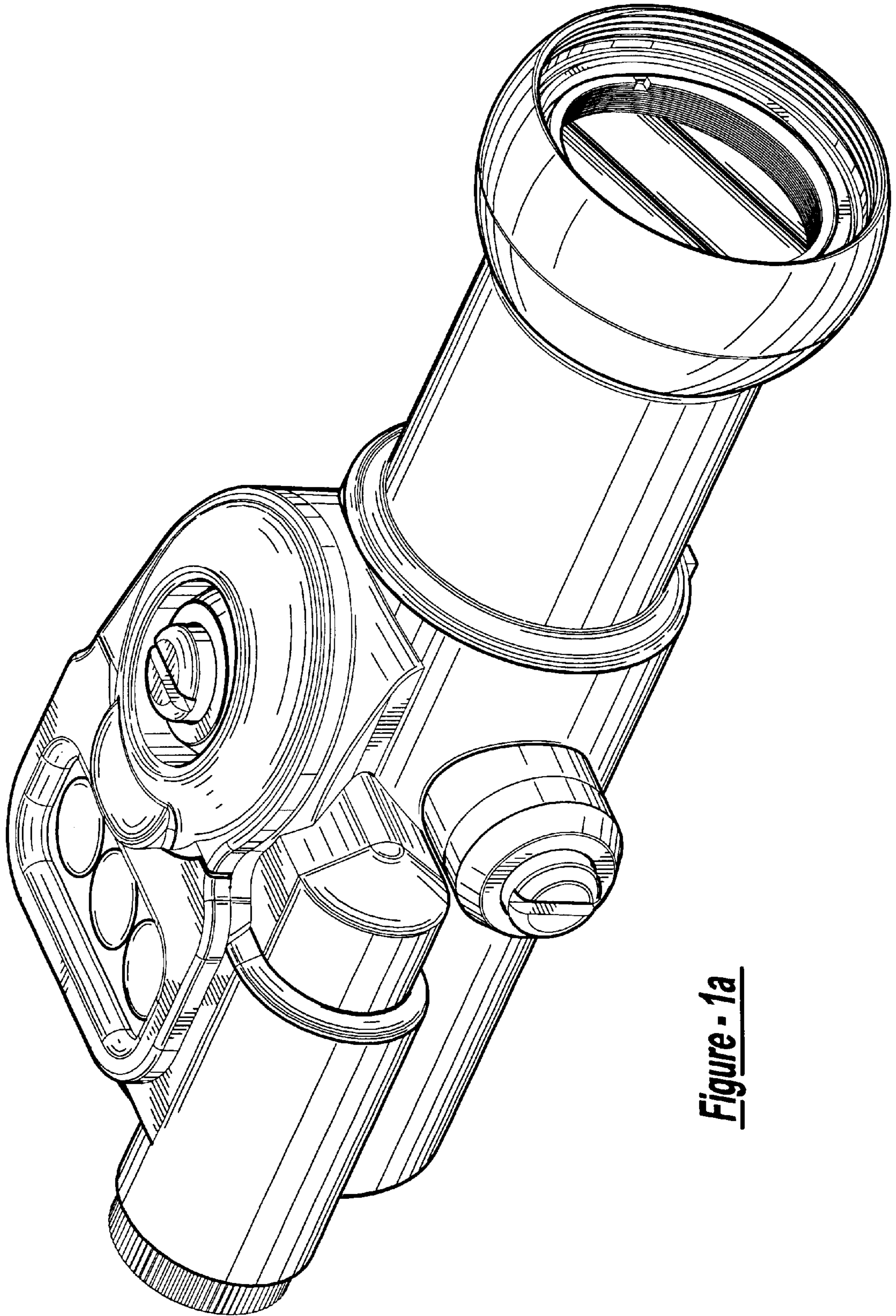


Figure - 1a

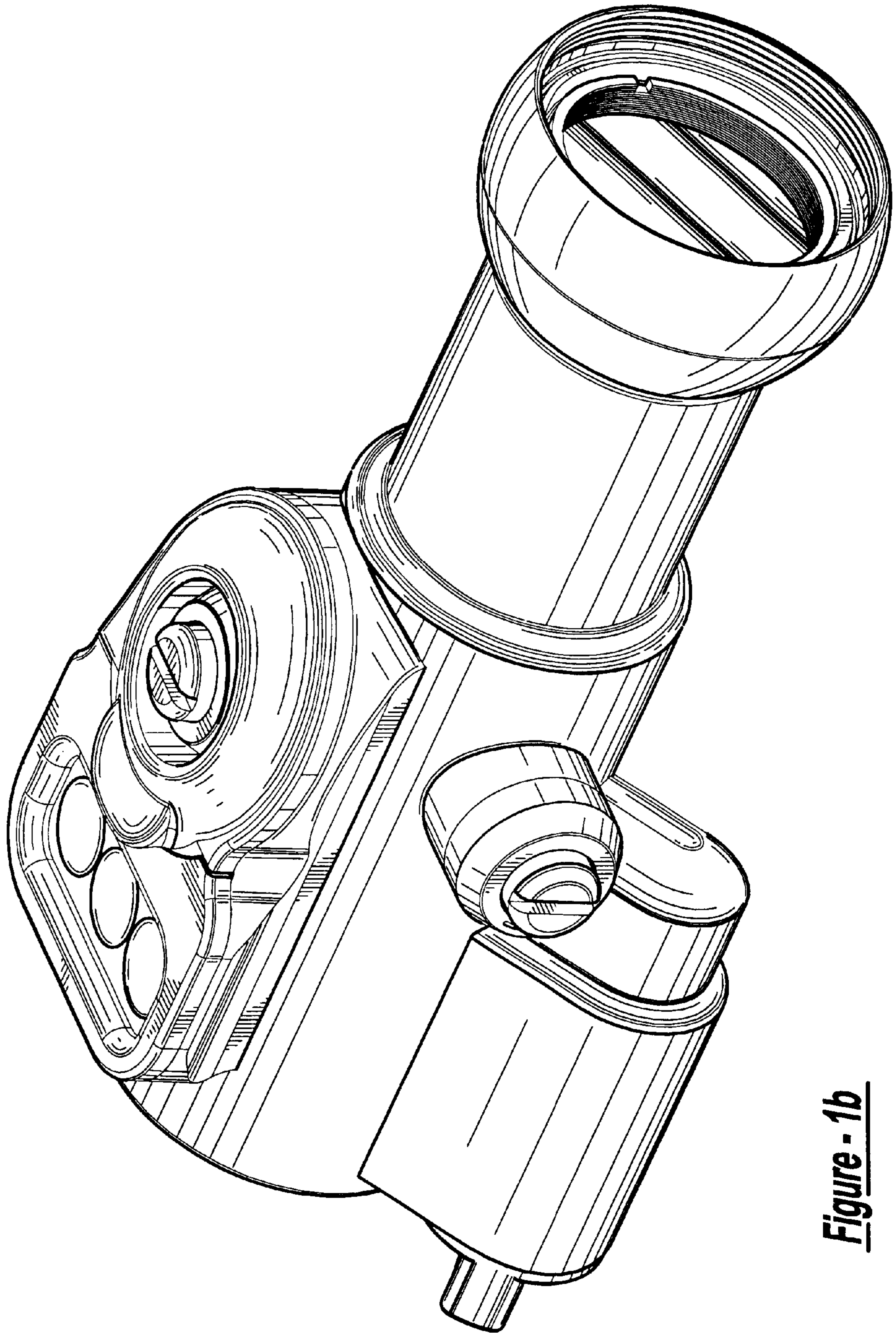


Figure - 1b

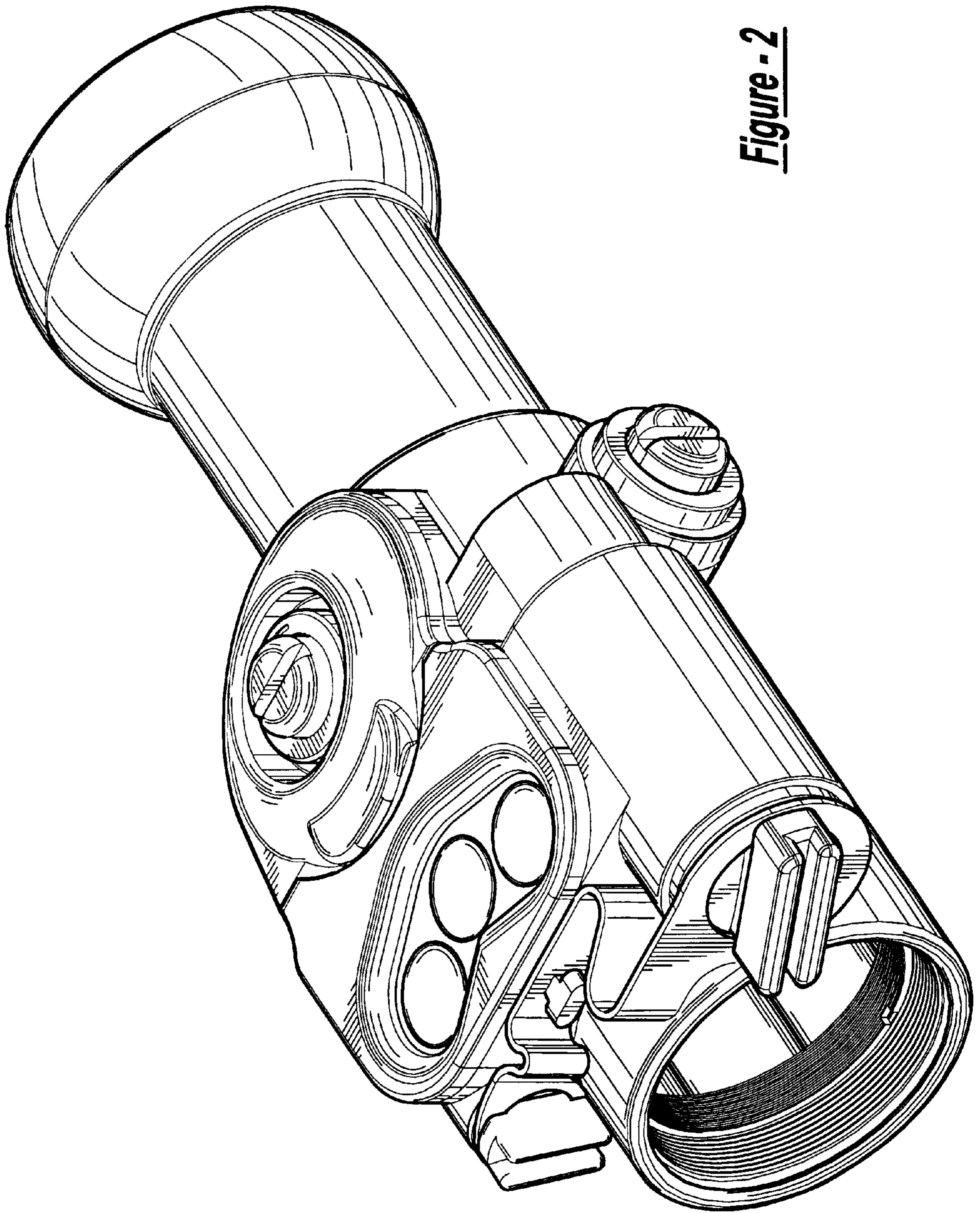


Figure - 2

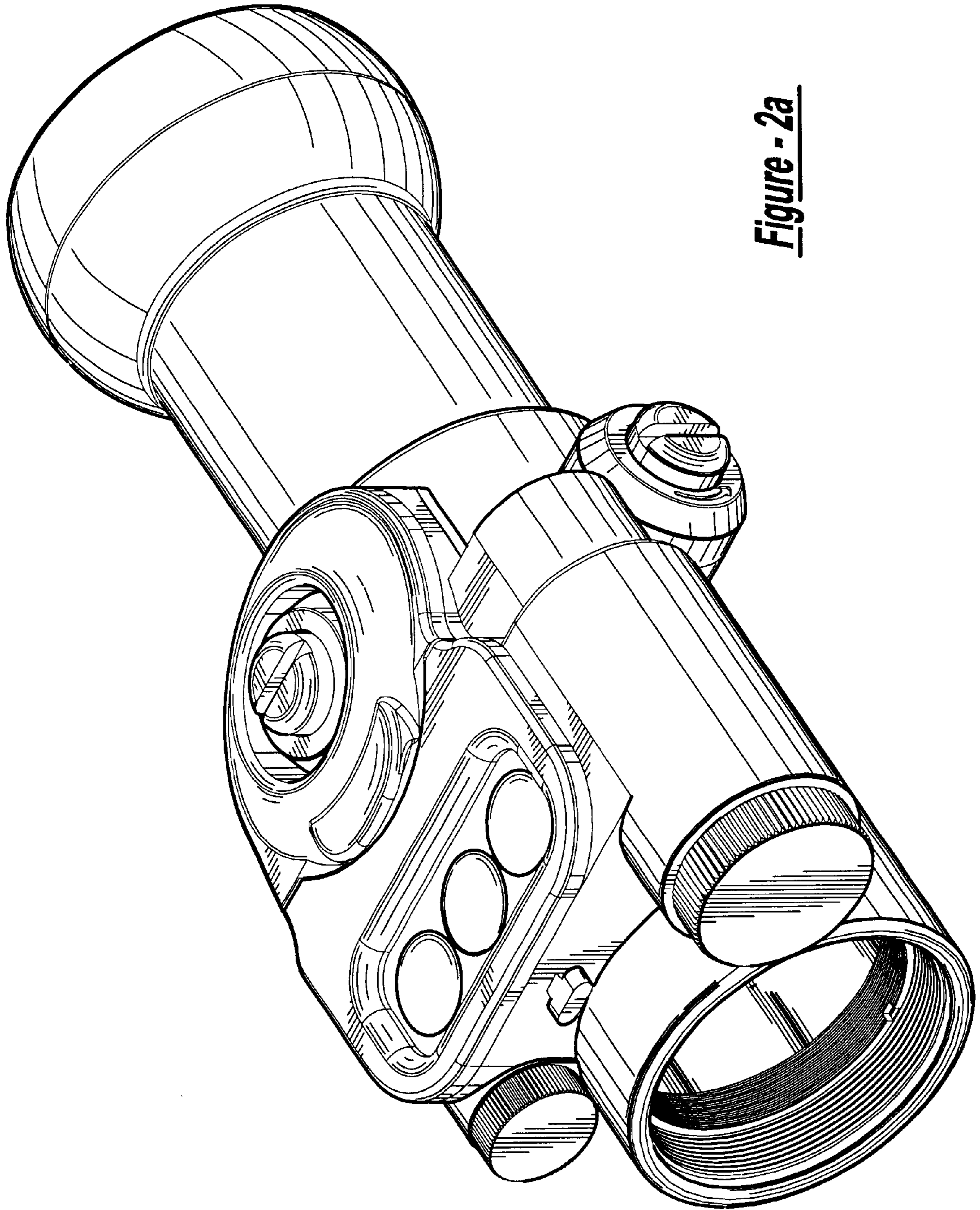


Figure - 2a

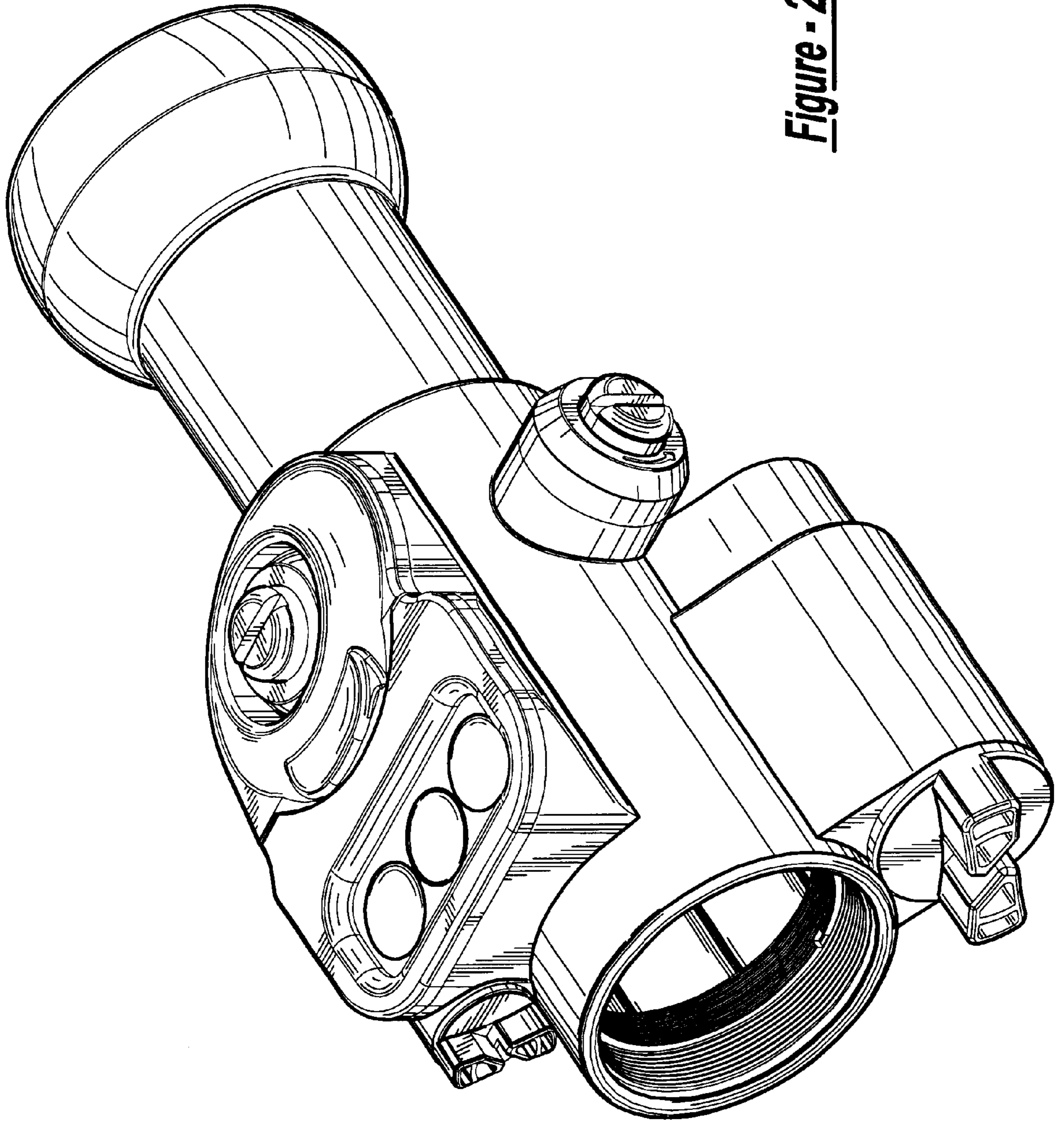


Figure - 2b

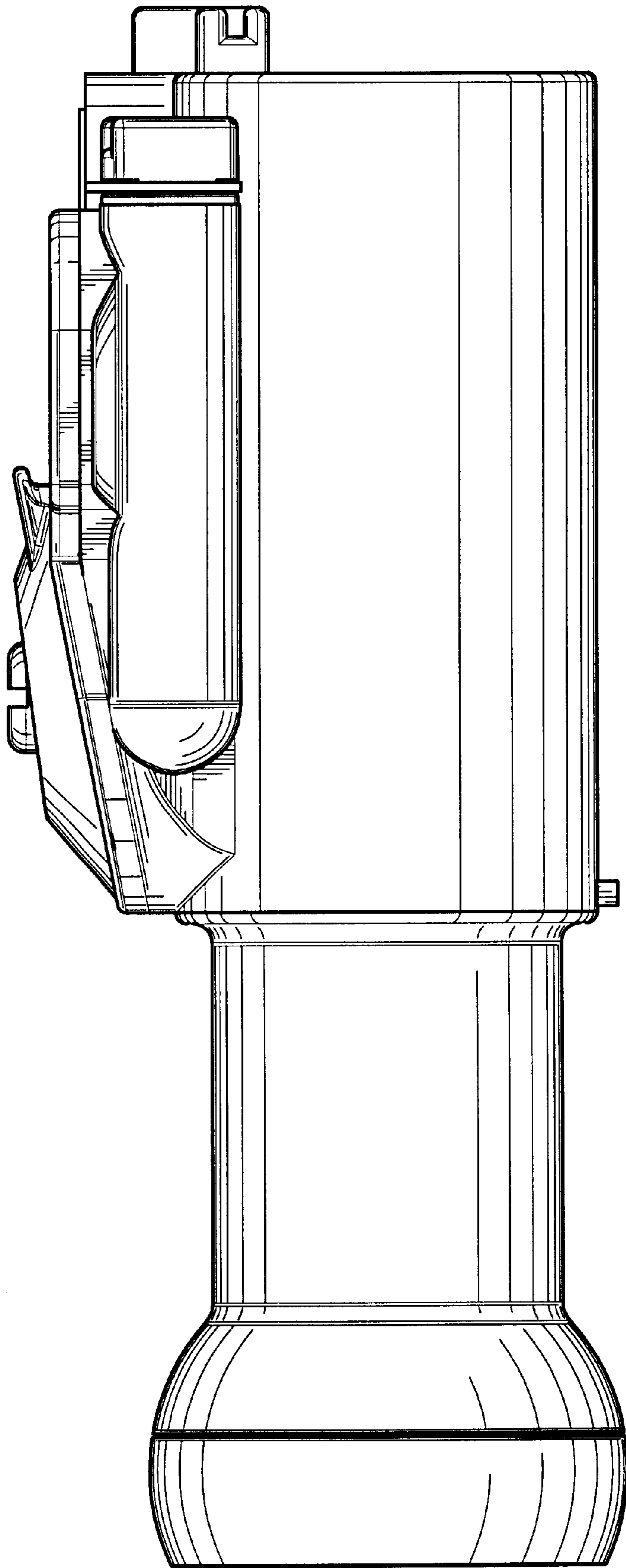


Figure - 3

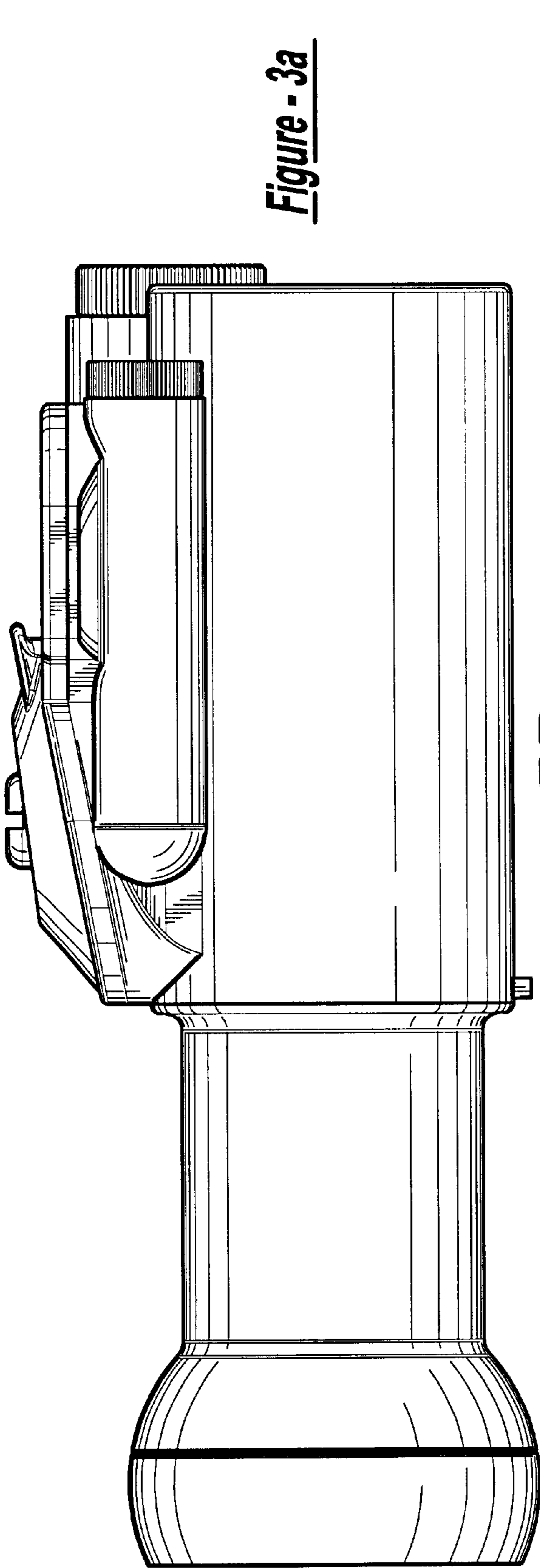


Figure - 3a

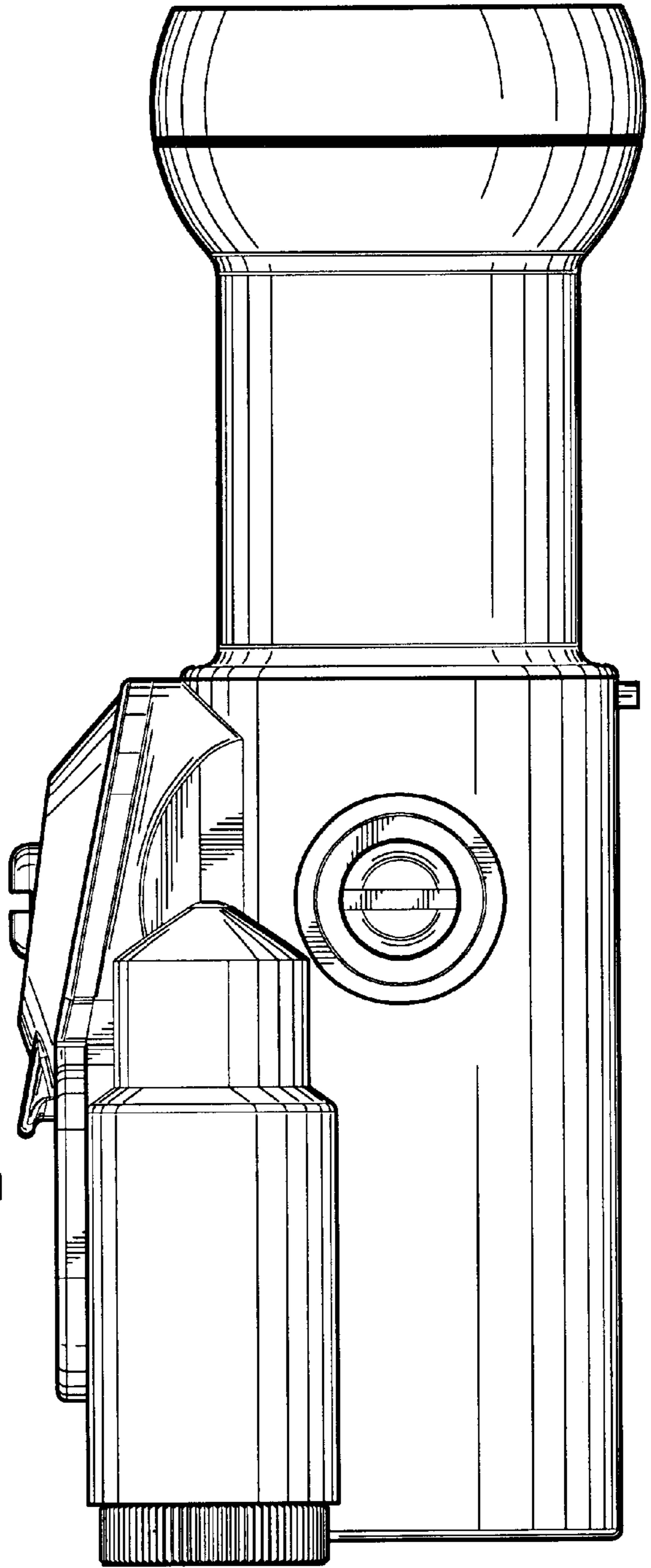


Figure - 4a

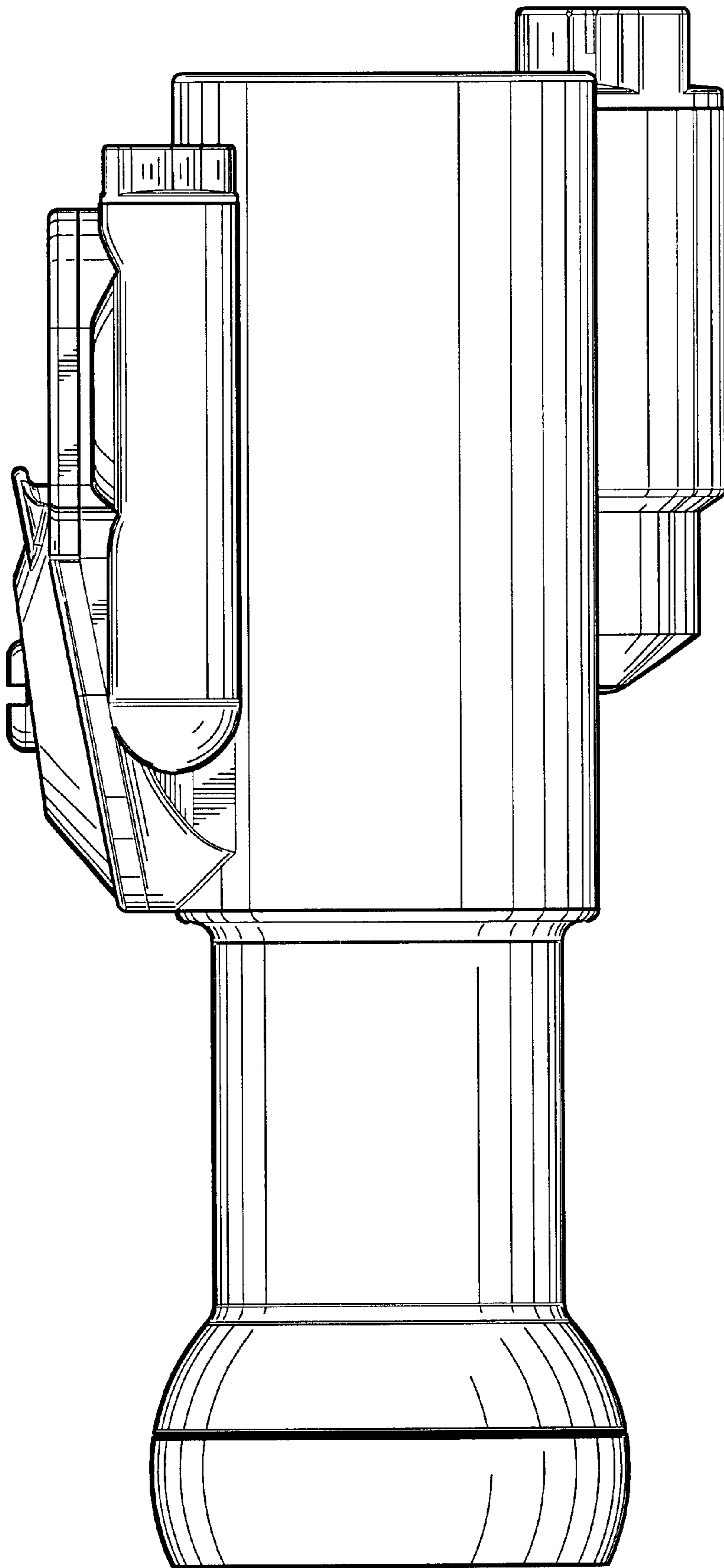


Figure - 3b

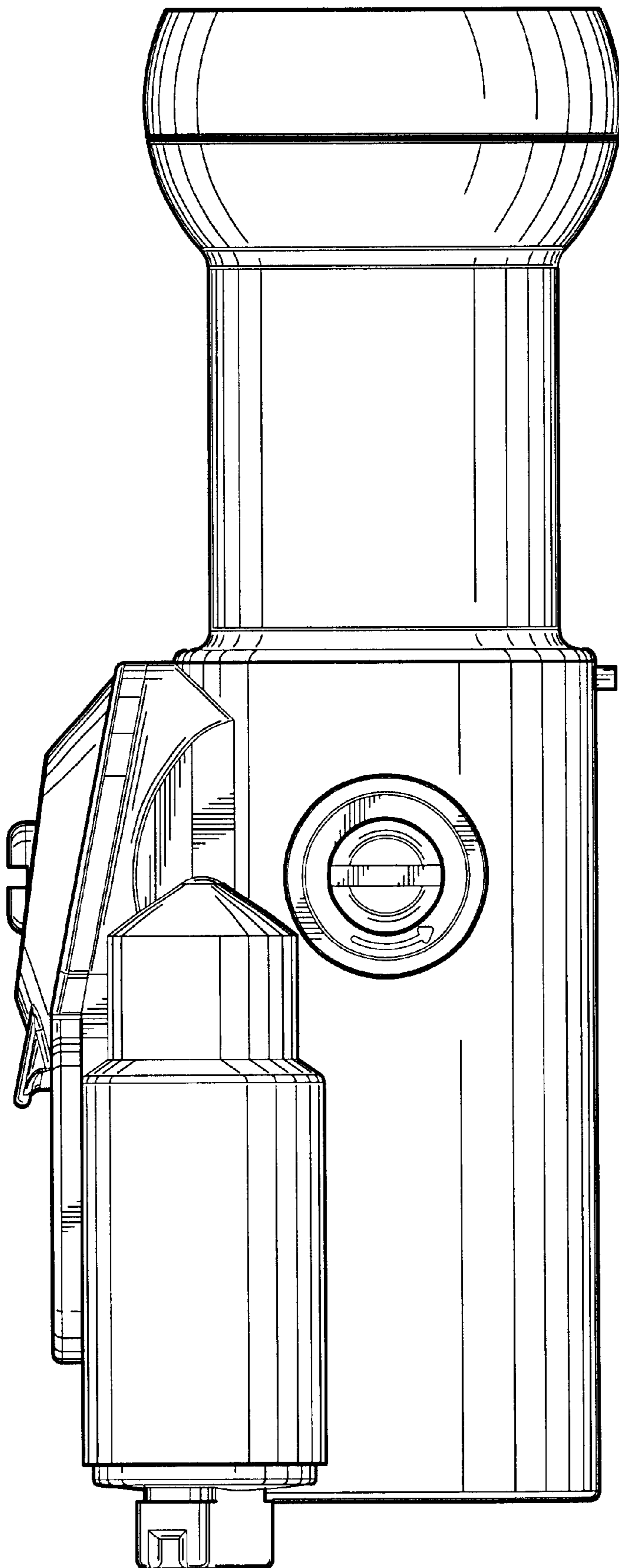


Figure - 4

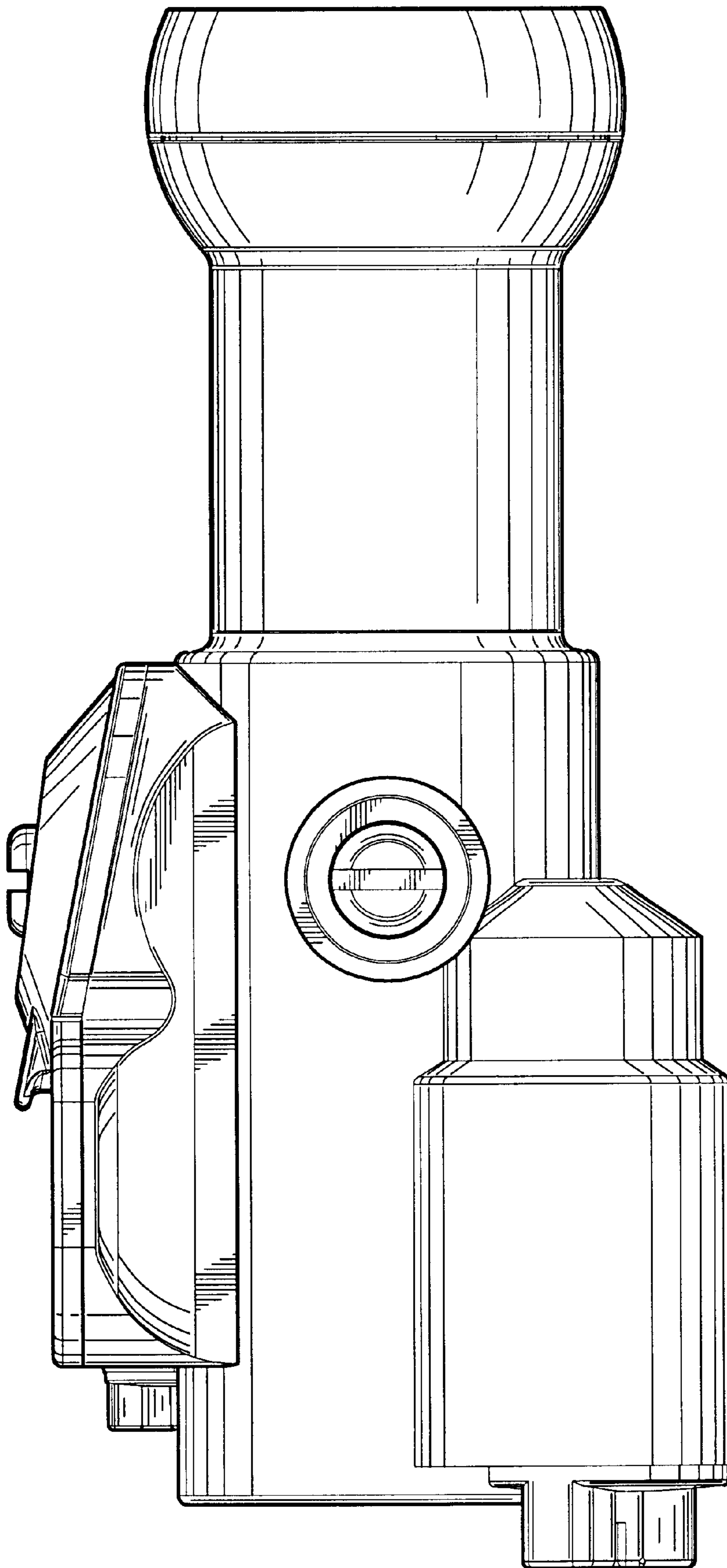


Figure - 4b

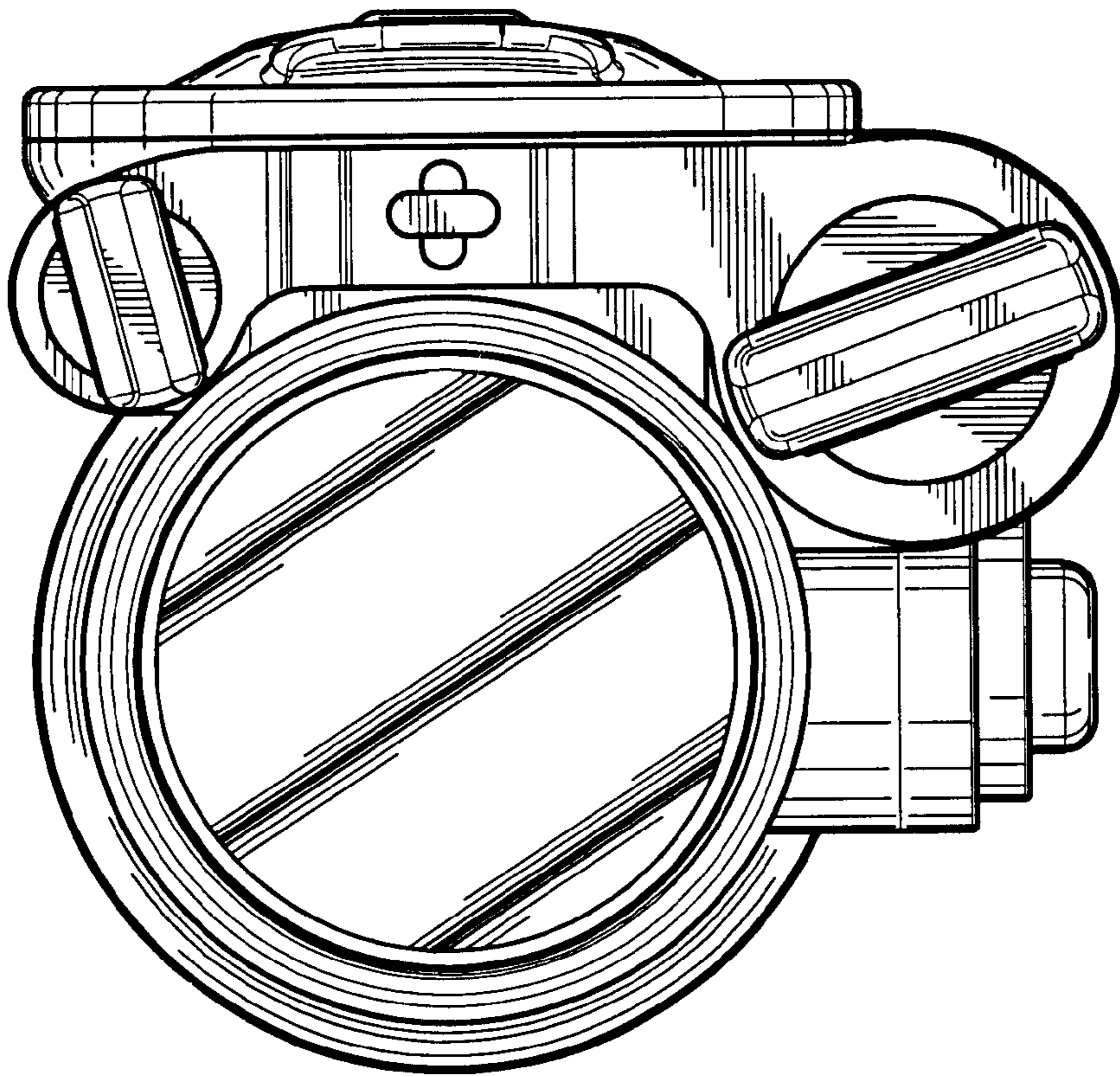


Figure - 5

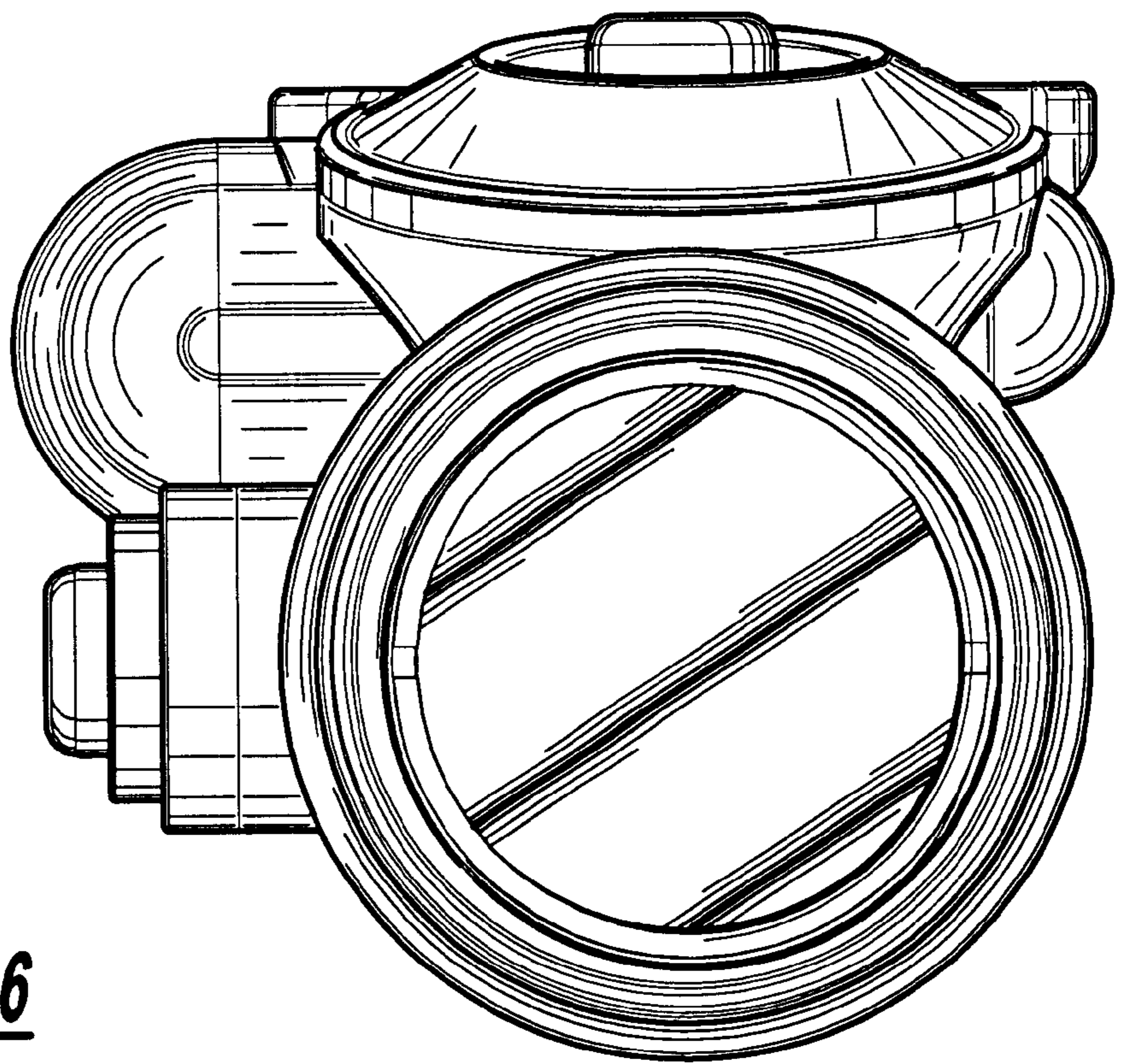


Figure - 6

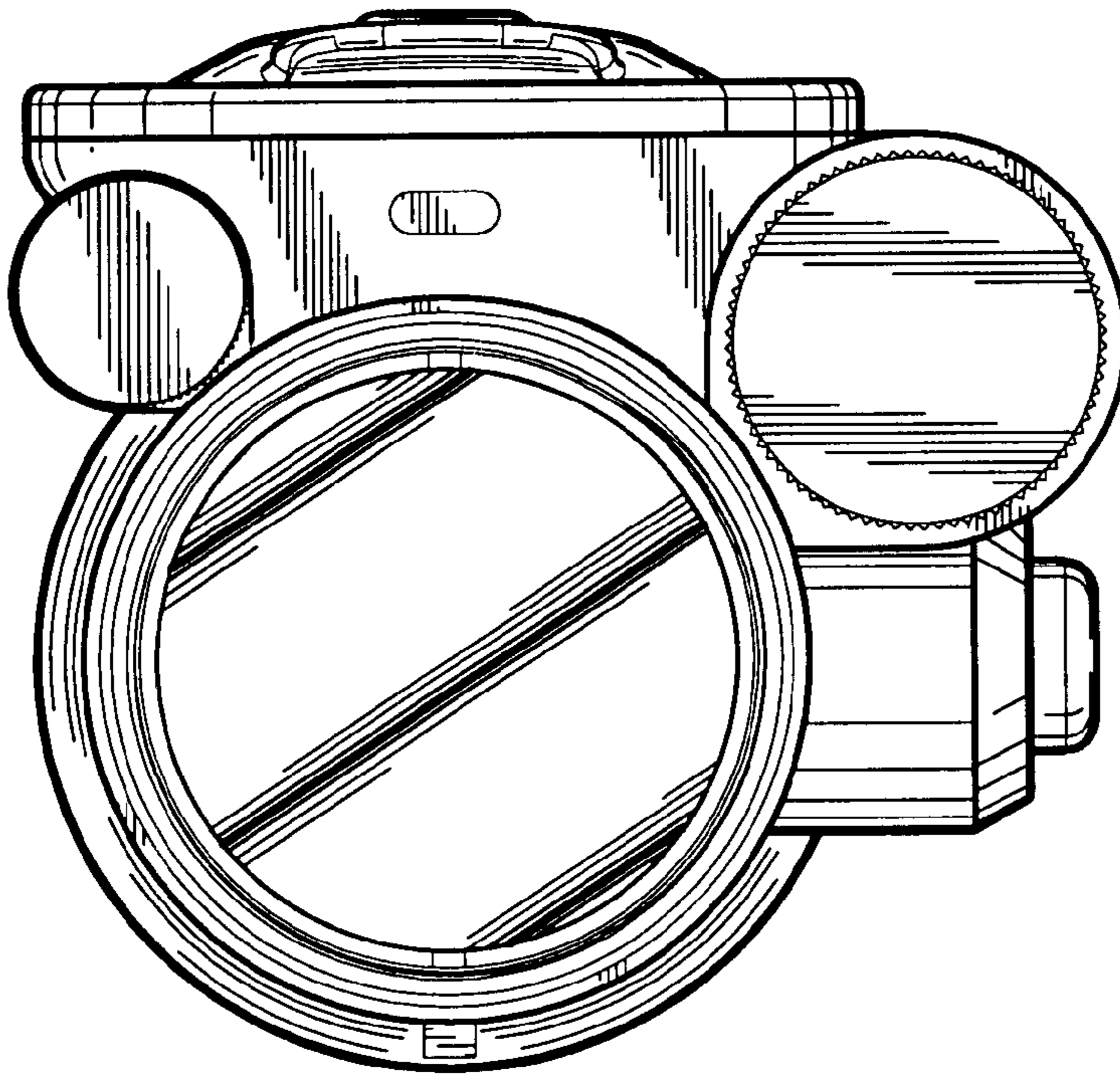


Figure - 5a

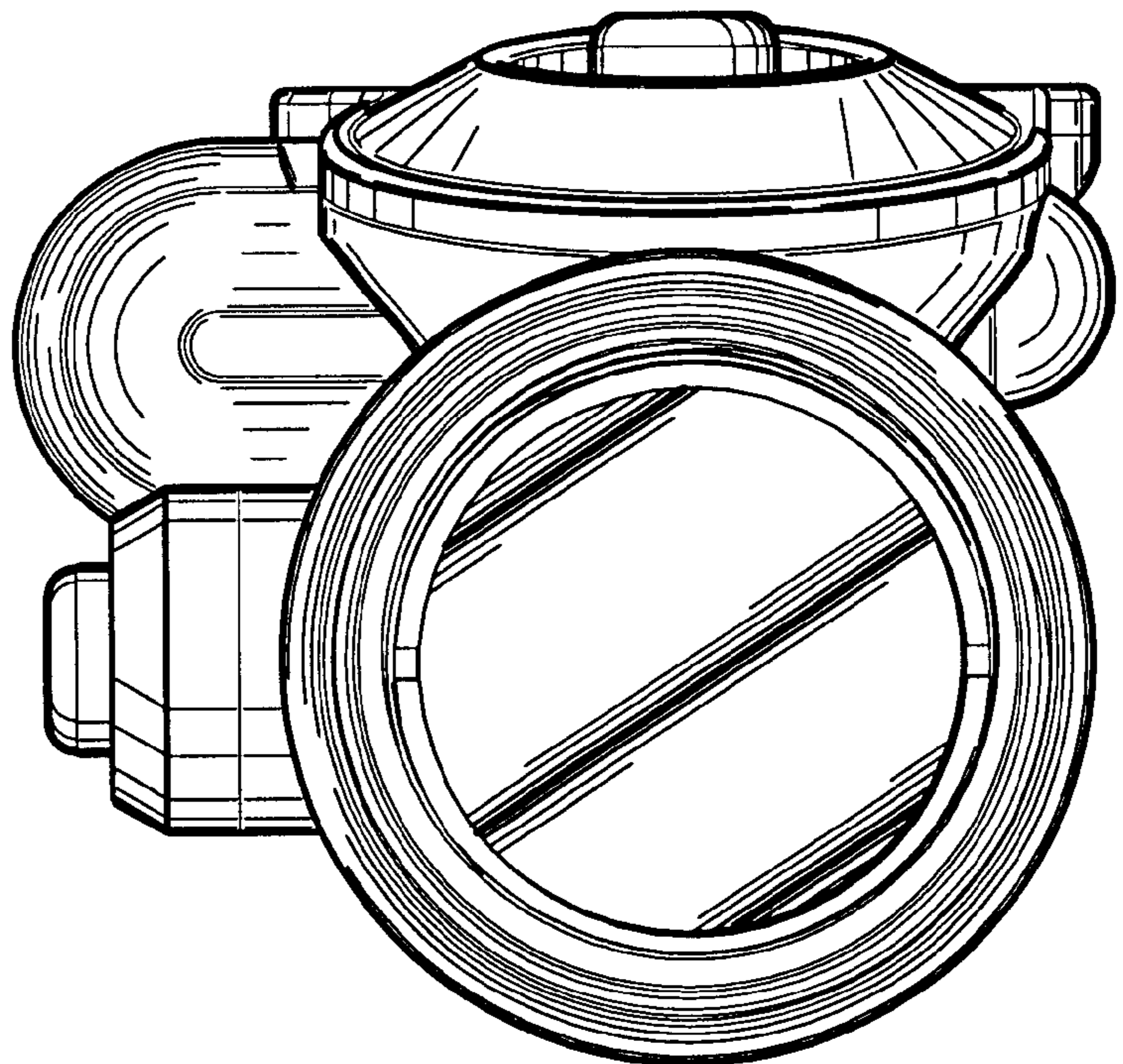


Figure - 6a

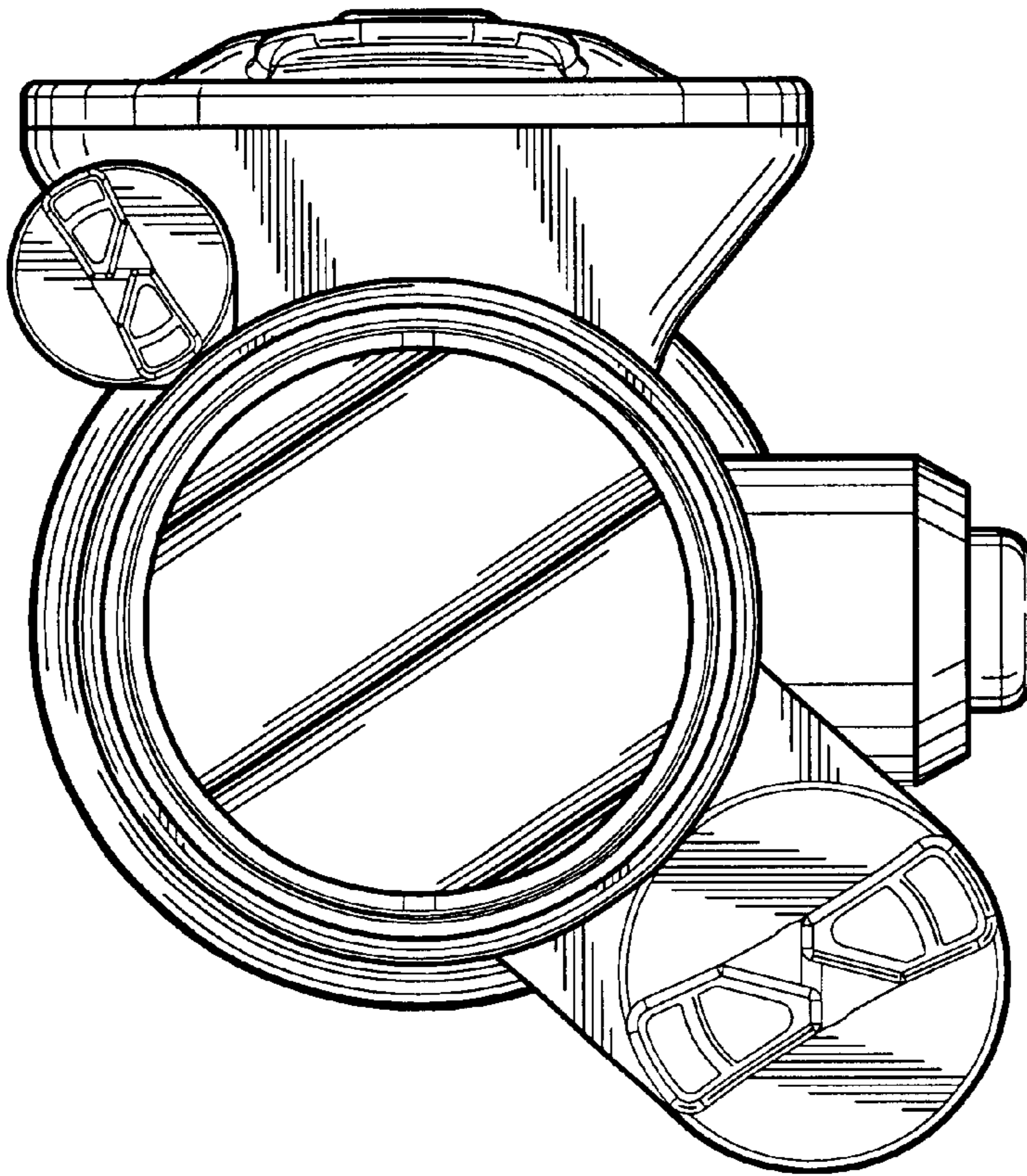


Figure - 5b

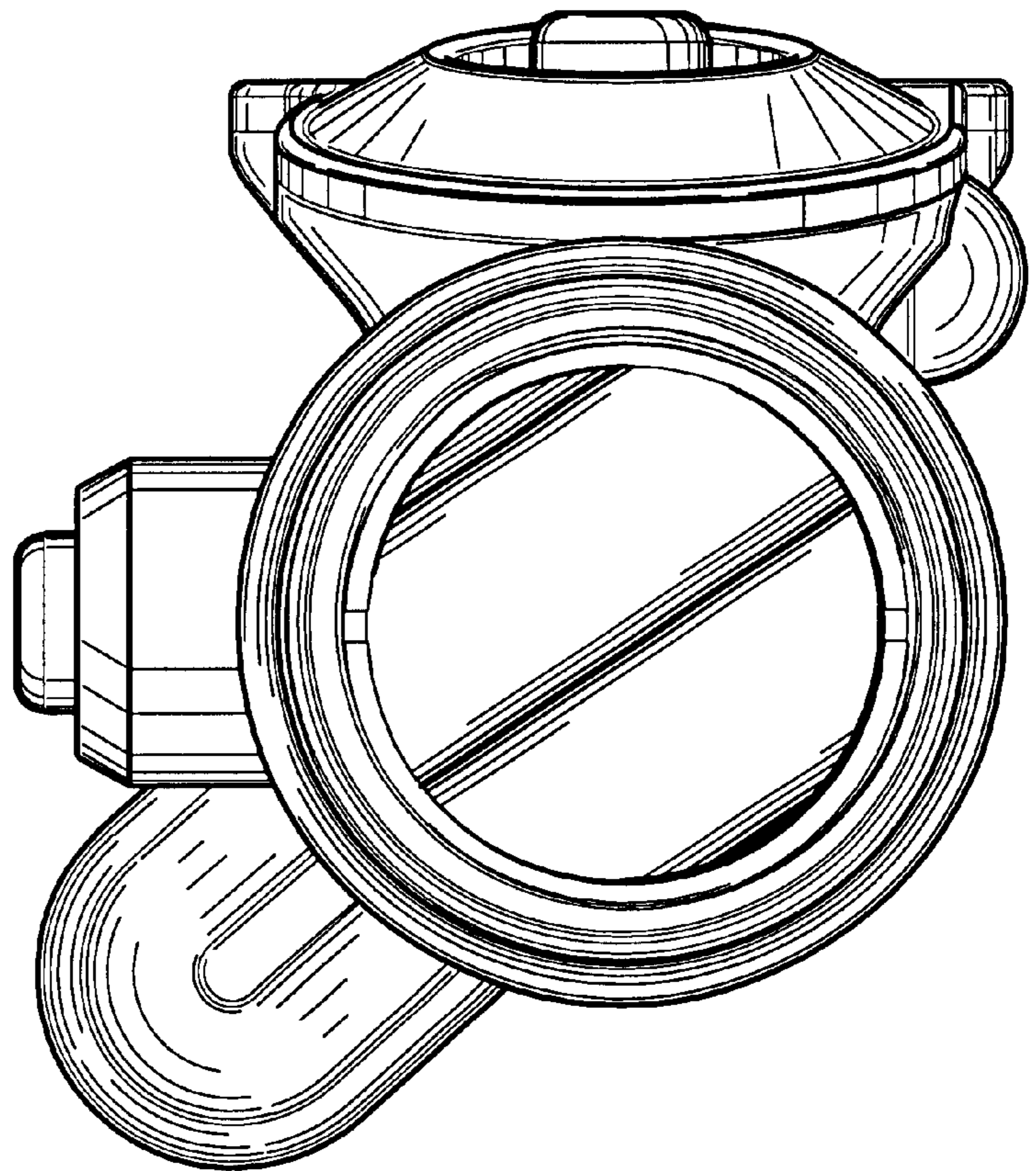


Figure - 6b

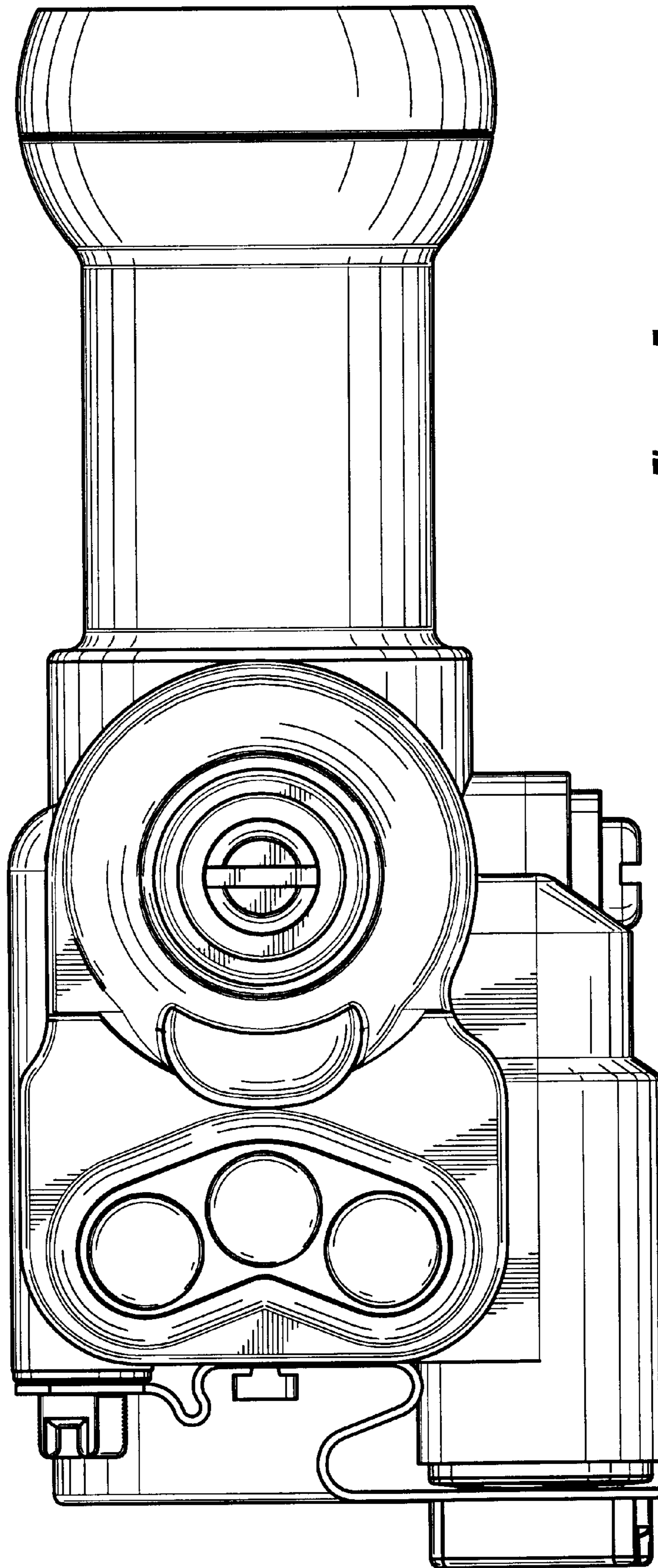


Figure - 7

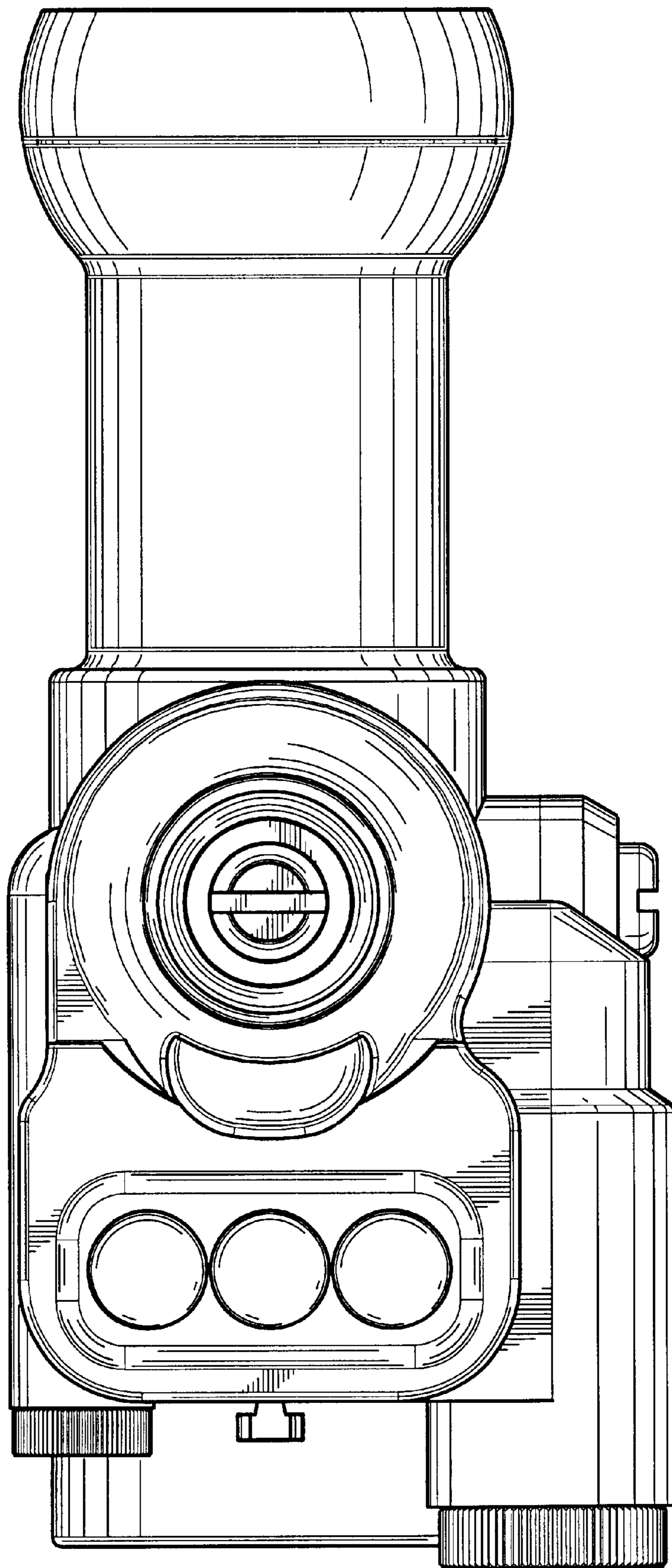


Figure - 7a

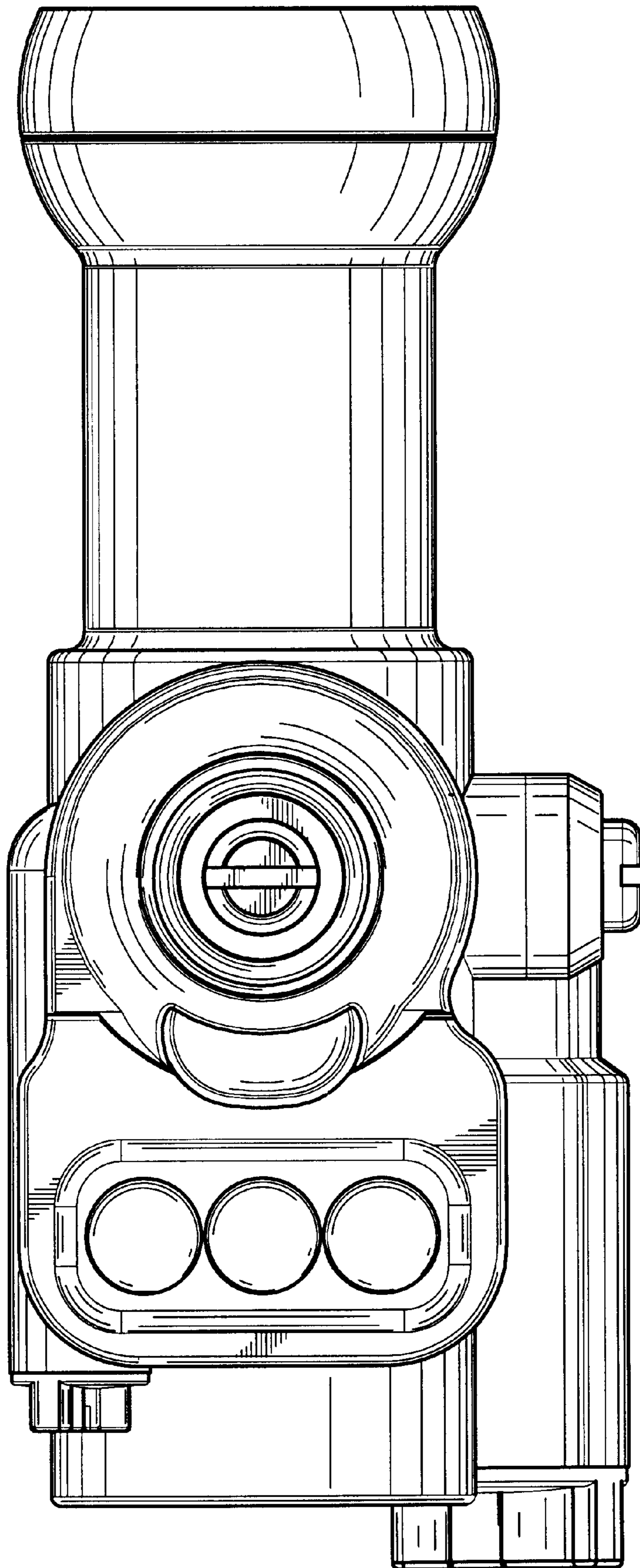


Figure - 7b

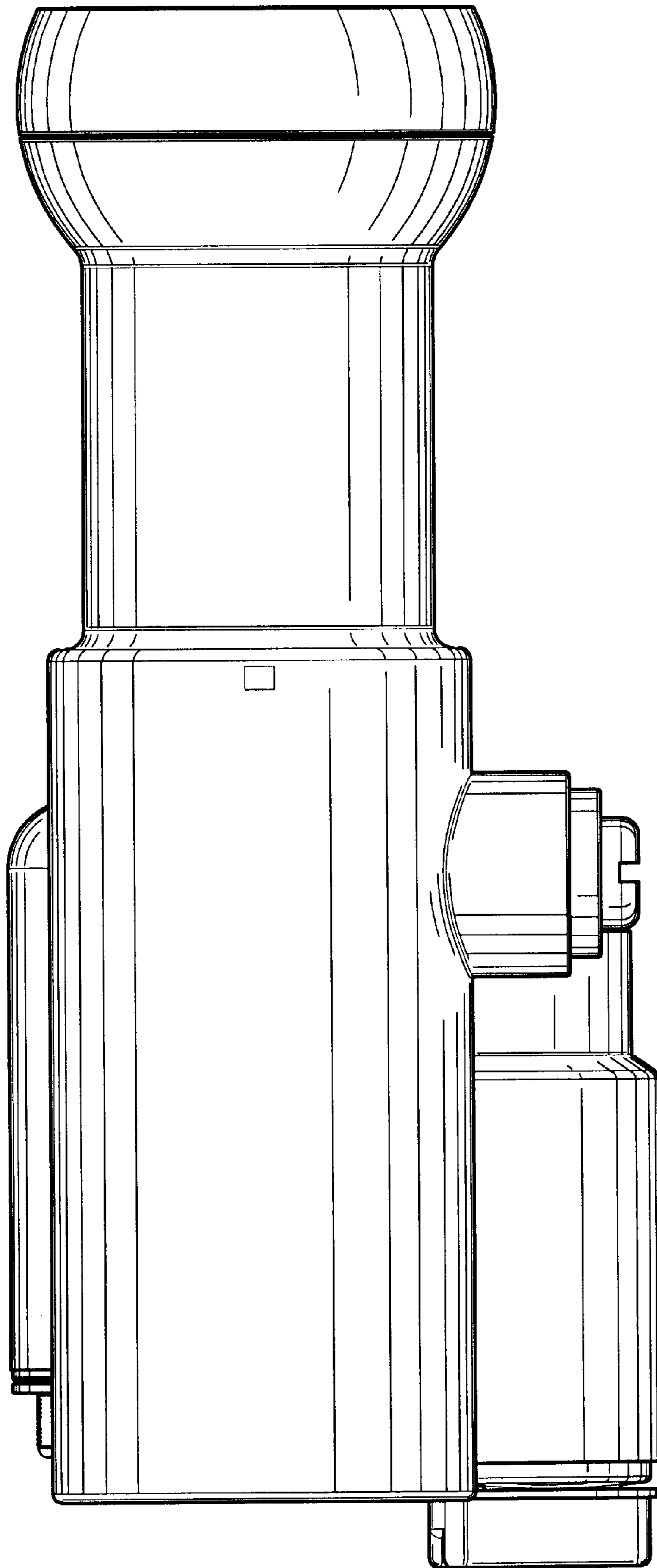


Figure - 8

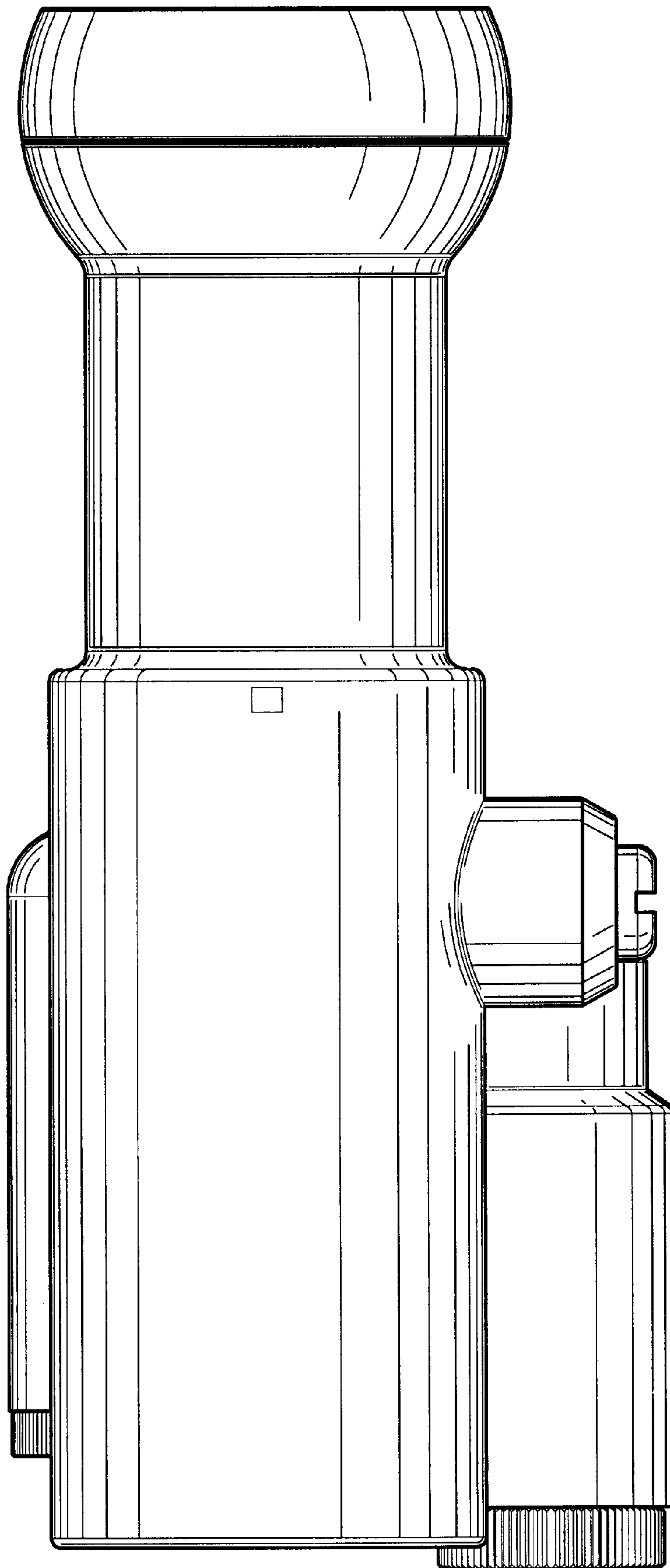


Figure - 8a

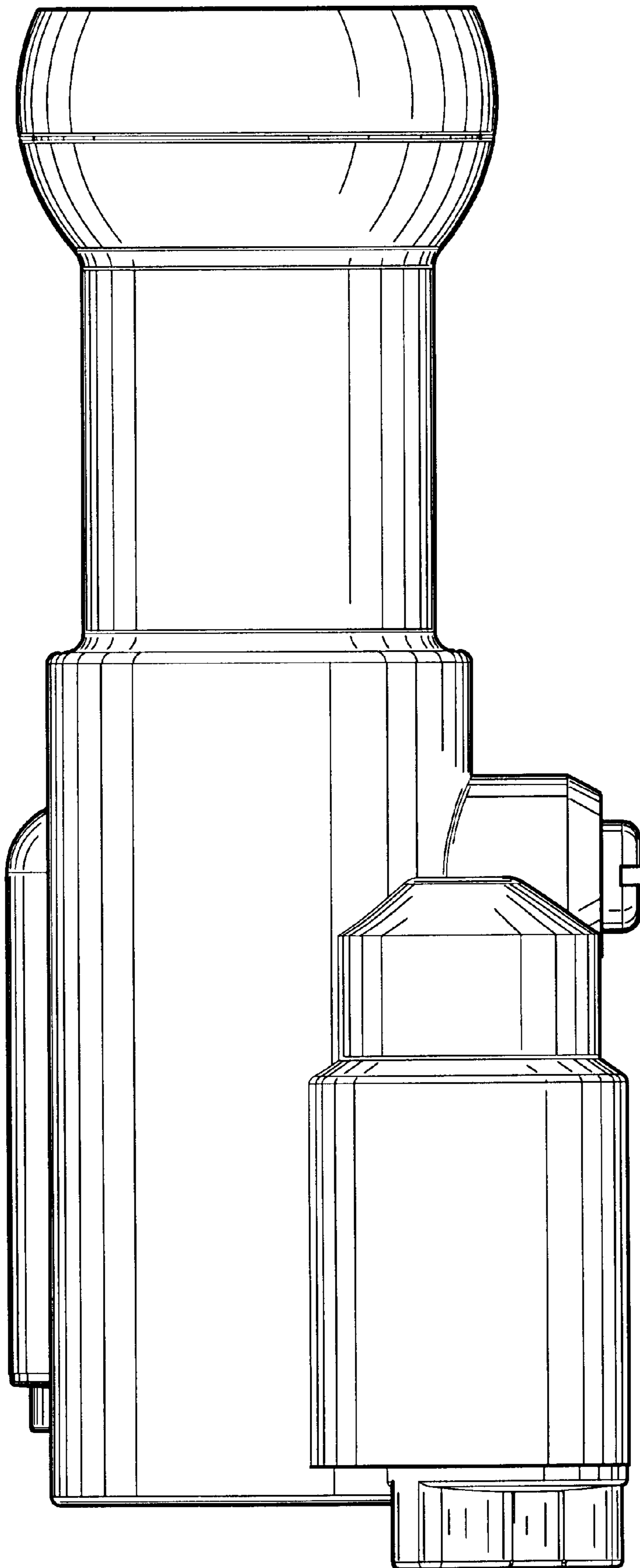


Figure - 8b

UNITED STATES PATENT AND TRADEMARK OFFICE
CERTIFICATE OF CORRECTION

PATENT NO. : Des. 472,256 S
DATED : March 25, 2003
INVENTOR(S) : Darin W. Schick

Page 1 of 1

It is certified that error appears in the above-identified patent and that said Letters Patent is hereby corrected as shown below:

Column 2,

Line 22, after "generally" insert -- as --

Line 22, after "seen" delete -- as --

Line 22, after "1a" second occurrence, insert -- and is substantially the same as FIG. 6 --

Signed and Sealed this

Sixth Day of May, 2003

A handwritten signature in black ink, appearing to read "James E. Rogan", with a horizontal line drawn underneath it.

JAMES E. ROGAN
Director of the United States Patent and Trademark Office