



US00D472255S

(12) **United States Design Patent**  
**Stapleton et al.**

(10) **Patent No.:** **US D472,255 S**

(45) **Date of Patent:** **\*\* Mar. 25, 2003**

(54) **OPTICAL TRANSCEIVER**

(75) Inventors: **Lawrence Cooper Stapleton**, Seattle, WA (US); **Harold Alexander Brown**, Renton, WA (US); **Richard B. Riday**, Kirkland, WA (US); **James Stocker Webb**, Seattle, WA (US); **Ferdinand Johannes van Engelen**, Bellevue, WA (US); **Oliver Felix Grabes**, Seattle, WA (US); **Brady Austin Olason**, Edmonds, WA (US)

(73) Assignee: **Terabeam Corporation**, Kirkland, WA (US)

(\*\*) Term: **14 Years**

(21) Appl. No.: **29/158,543**

(22) Filed: **Apr. 4, 2002**

**Related U.S. Application Data**

(62) Division of application No. 29/138,146, filed on Mar. 6, 2001.

(51) **LOC (7) Cl.** ..... **16-99**

(52) **U.S. Cl.** ..... **D16/130**

(58) **Field of Search** ..... D16/130; D14/137, D14/144, 420, 422, 426, 432, 168, 155, 188, 496; 359/11, 12, 13, 15, 29, 56, 127, 569; 372/108, 703; 385/24; D10/46; D24/172

(56) **References Cited**

**U.S. PATENT DOCUMENTS**

D302,153 S	*	7/1989	Karecki .....	D24/172 X
5,963,684 A		10/1999	Ford et al.	
D416,883 S		11/1999	Wagner et al.	
D427,530 S	*	7/2000	Maines et al. ....	D10/46
6,166,389 A		12/2000	Shie et al.	

\* cited by examiner

*Primary Examiner*—Paula A. Mortimer

(74) *Attorney, Agent, or Firm*—Blakely, Sokoloff, Taylor & Zafman LLP

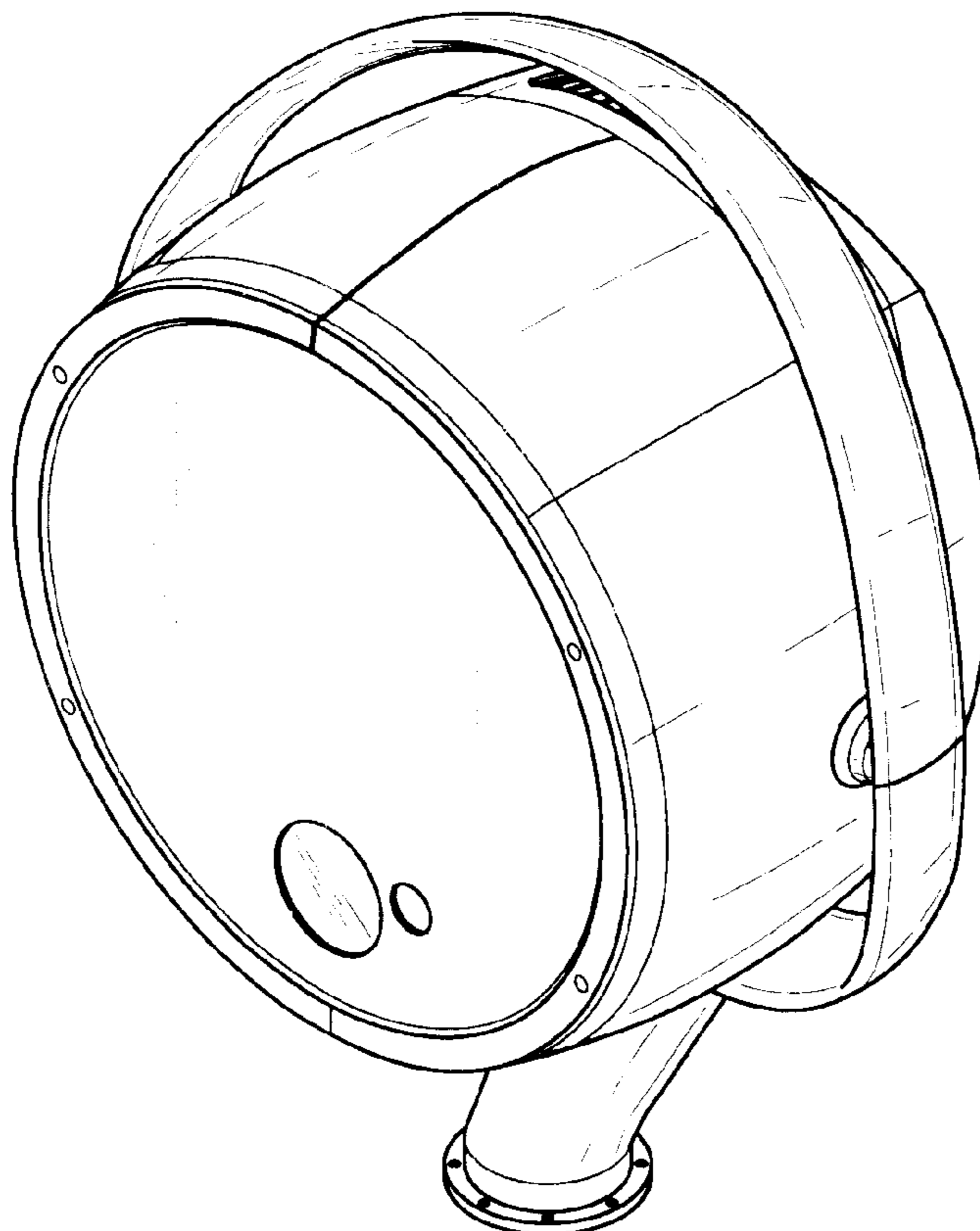
(57) **CLAIM**

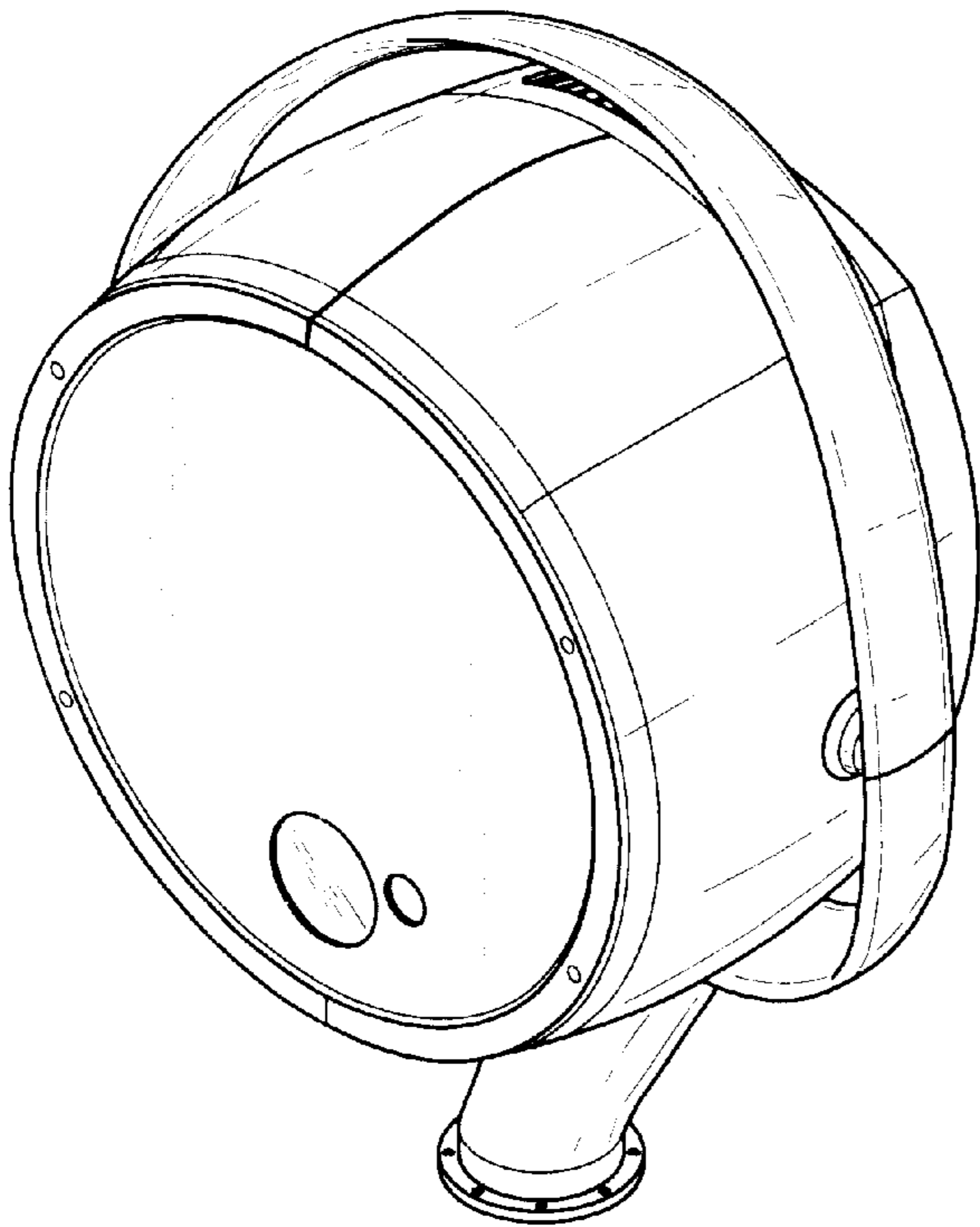
The ornamental design for an optical transceiver, as shown and described.

**DESCRIPTION**

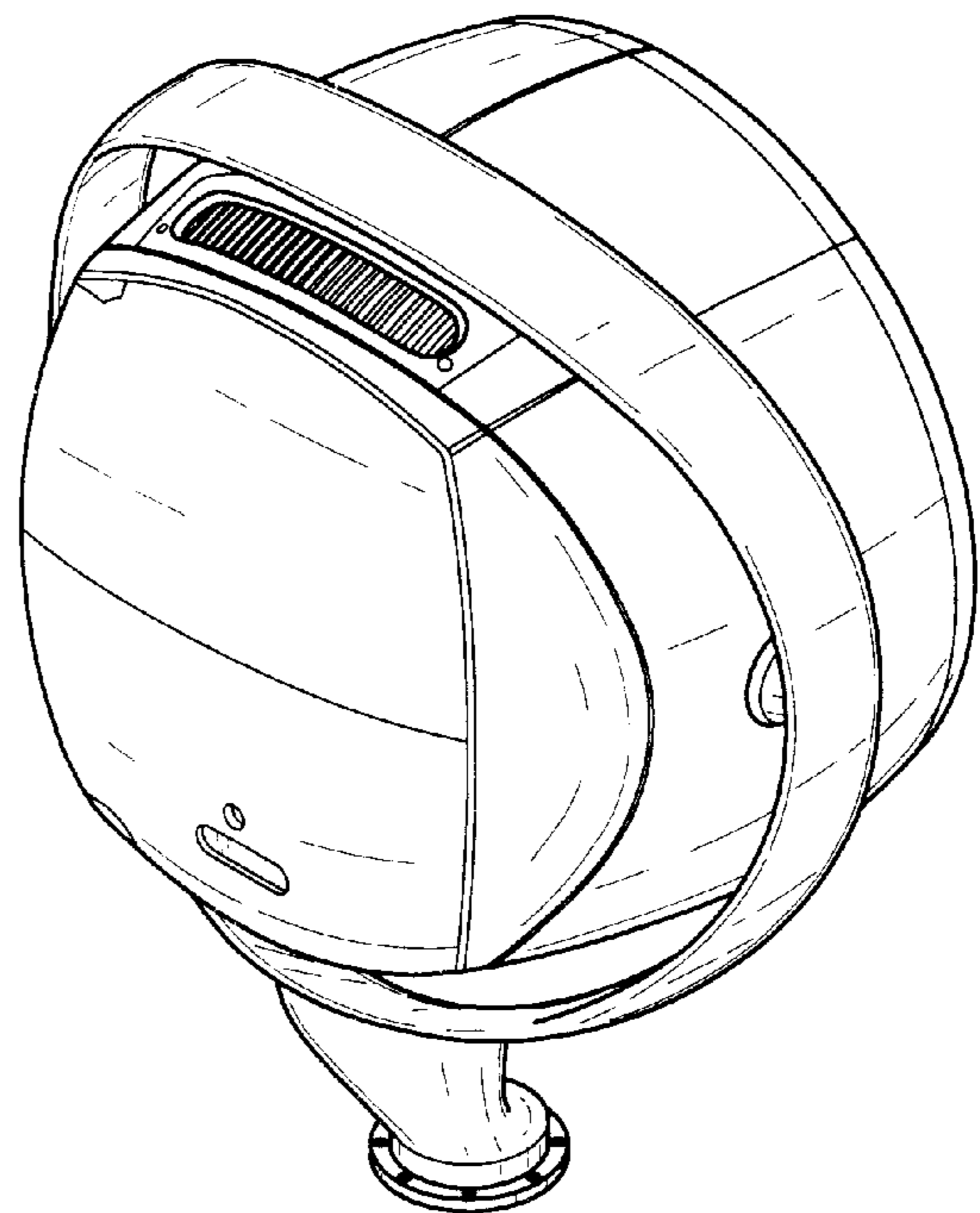
FIG. 1 is a top, front, right side perspective view of an optical transceiver showing our new design; FIG. 2 is a top, rear, right side perspective view thereof; FIG. 3 is a front view thereof; FIG. 4 is a back view thereof; FIG. 5 is a top view thereof; FIG. 6 is a bottom view thereof; FIG. 7 is a right view thereof; and, FIG. 8 is a left view of thereof.

**1 Claim, 4 Drawing Sheets**

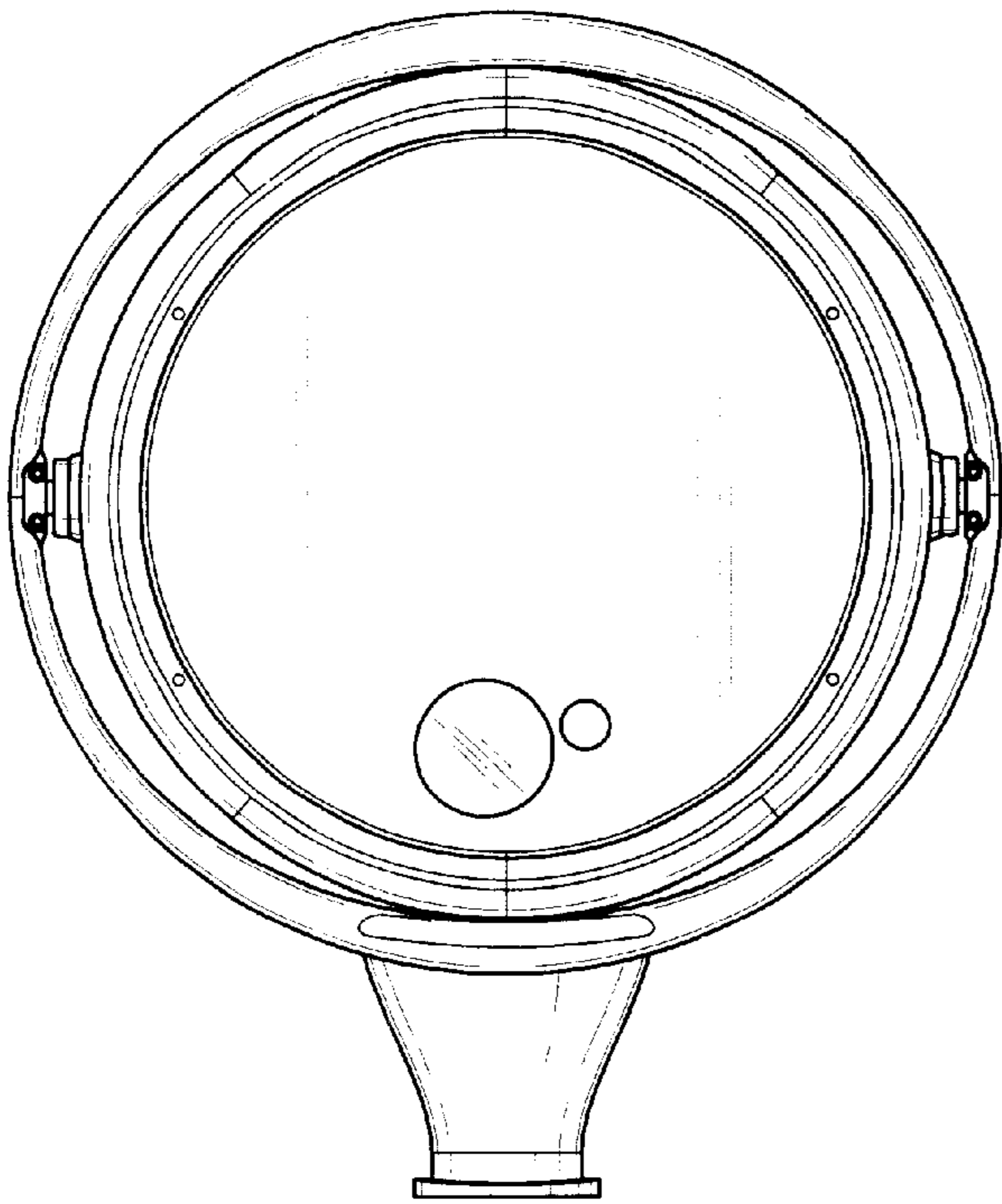




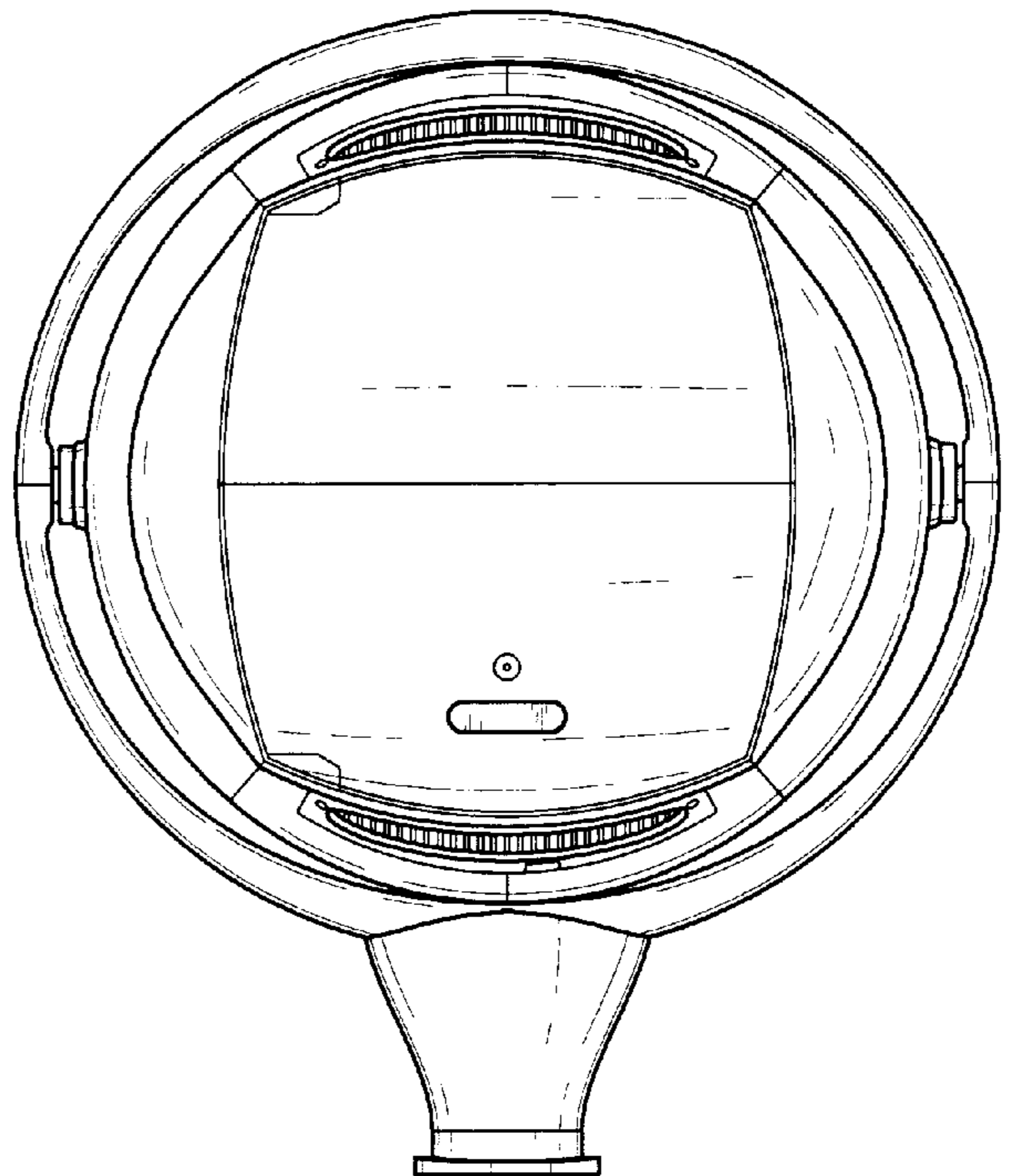
*Fig. 1*



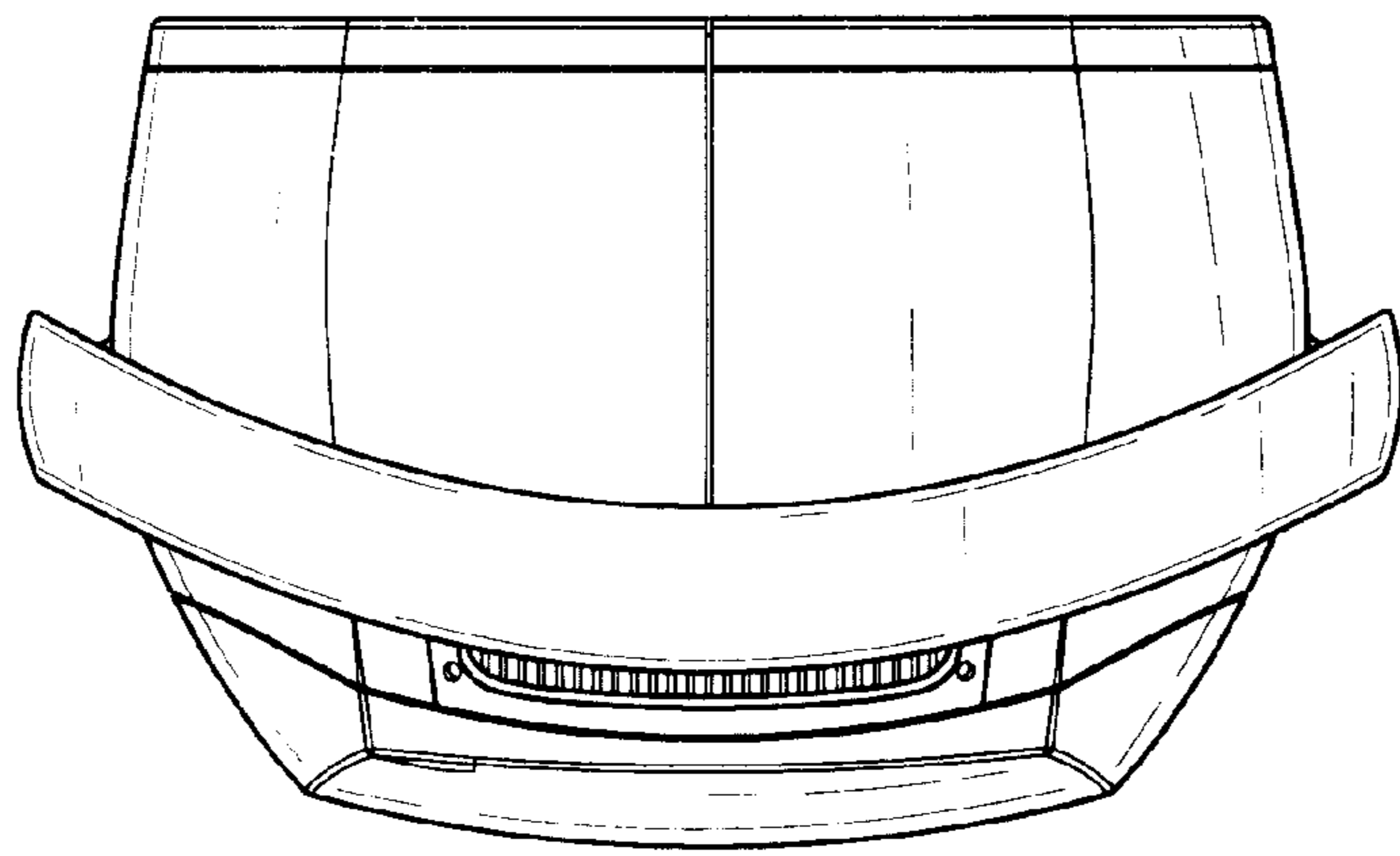
*Fig. 2*



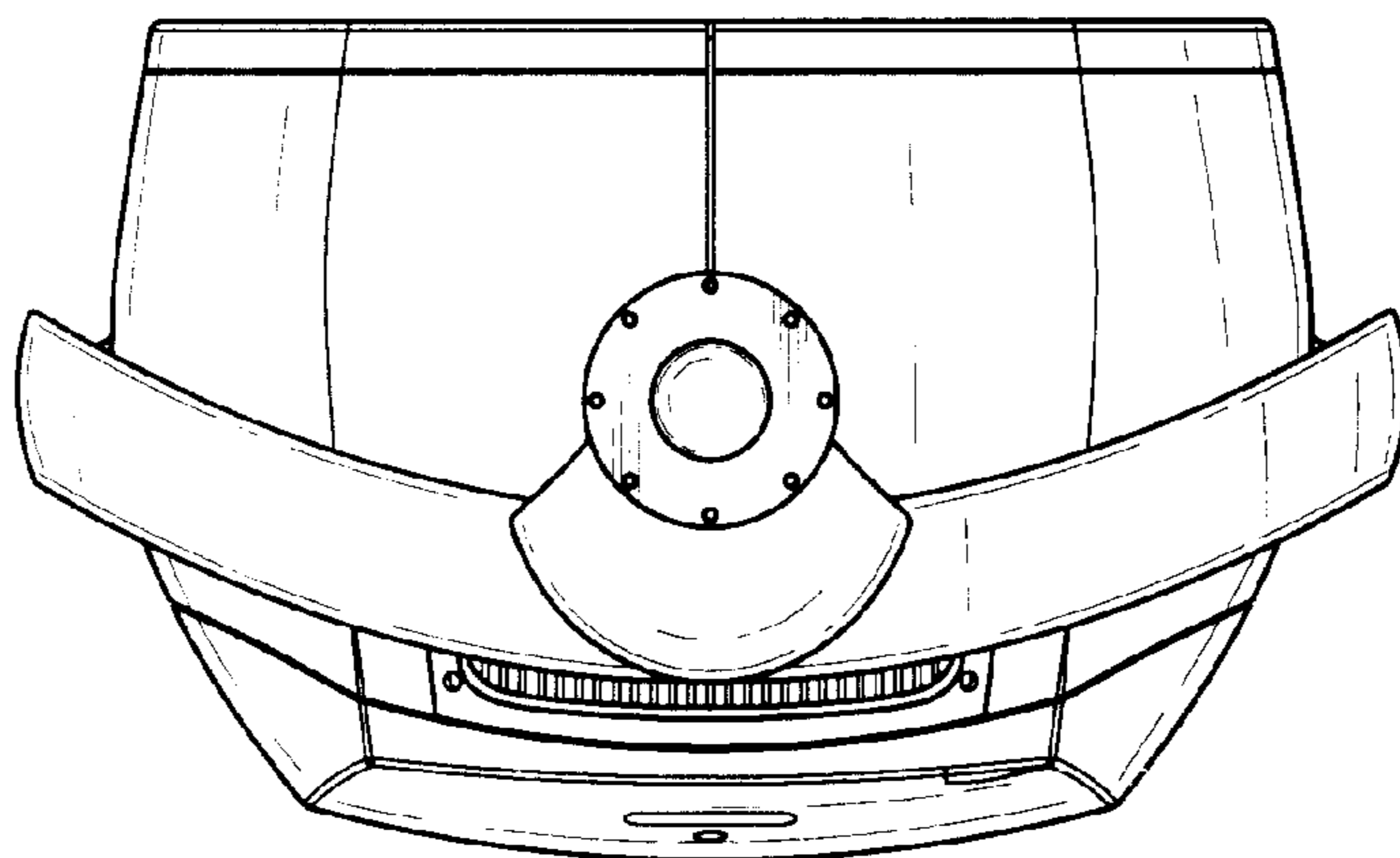
*Fig. 3*



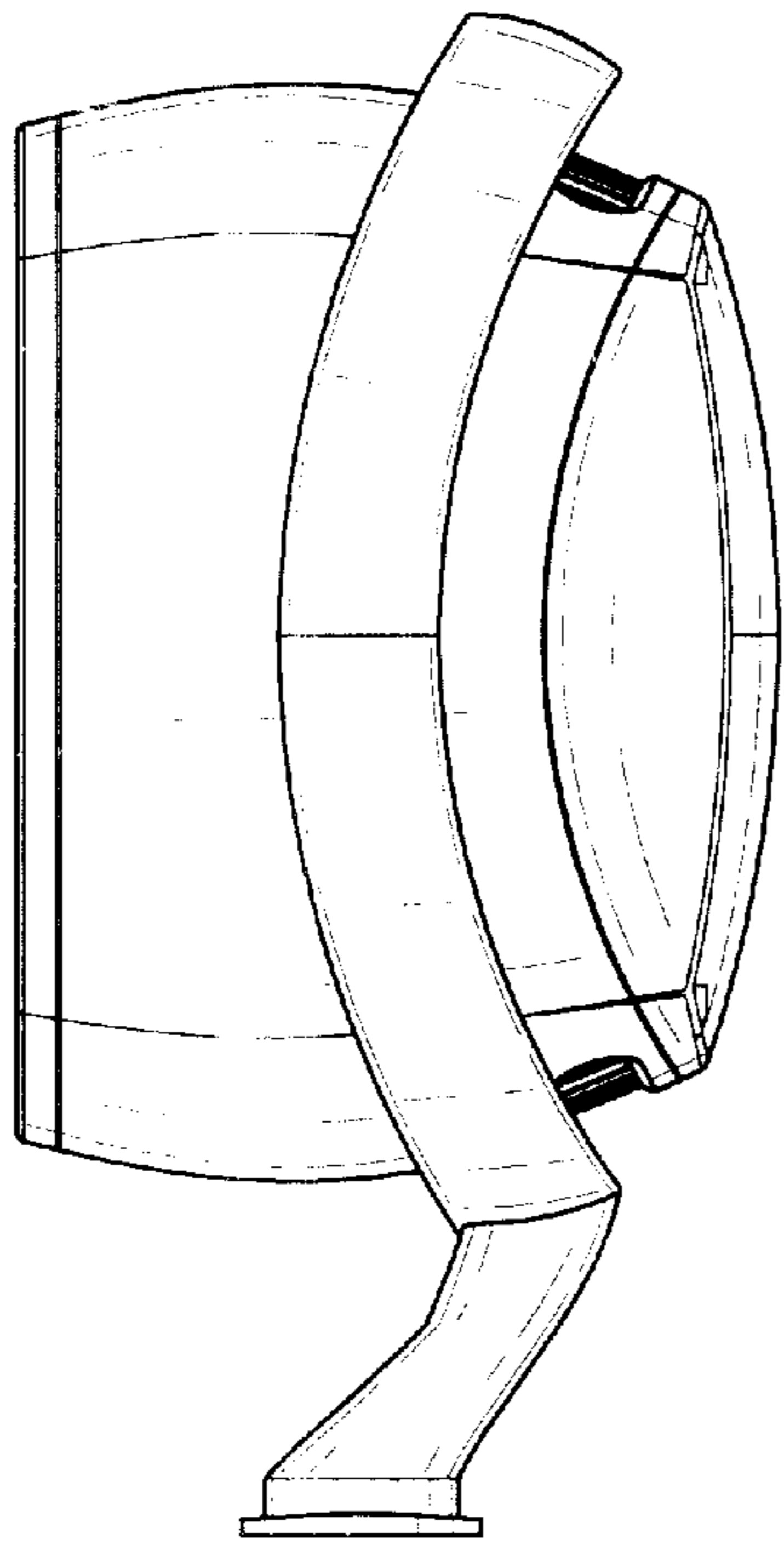
*Fig. 4*



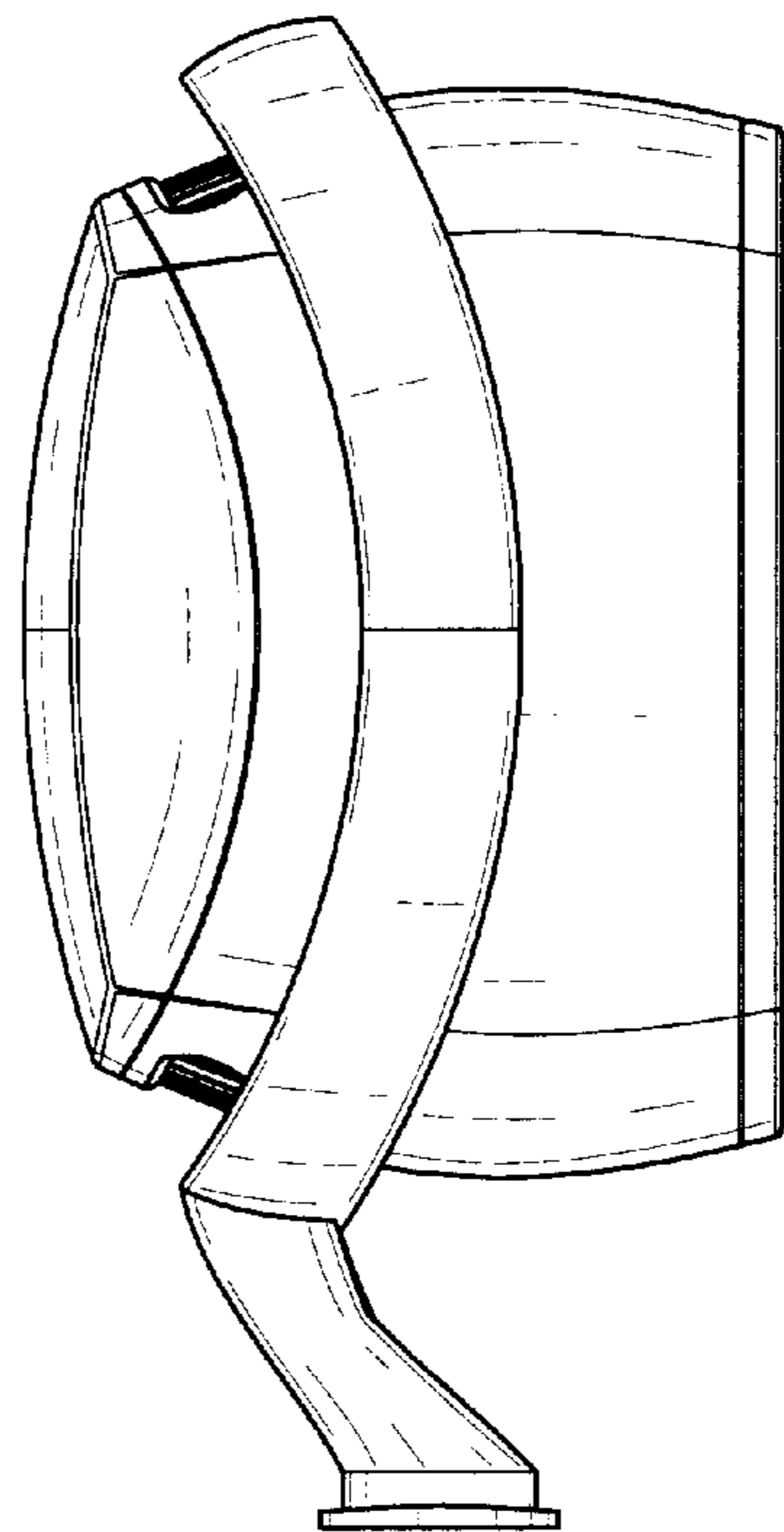
*Fig. 5*



*Fig. 6*



*Fig. 7*



*Fig. 8*