



US00D472251S

(12) **United States Design Patent**
Shimada

(10) **Patent No.:** **US D472,251 S**

(45) **Date of Patent:** **** Mar. 25, 2003**

(54) **DRILL STAND**

(75) Inventor: **Keisuke Shimada**, Tokyo (JP)

(73) Assignee: **Nitto Kohki Co., Ltd.**, Tokyo (JP)

(**) Term: **14 Years**

(21) Appl. No.: **29/159,809**

(22) Filed: **Apr. 30, 2002**

(51) **LOC (7) Cl.** **15-09**

(52) **U.S. Cl.** **D15/132**

(58) **Field of Search** D15/132; 408/12,
408/11, 16, 75, 76, 129, 234, 241 S, 710,
712; 409/235

(56) **References Cited**

U.S. PATENT DOCUMENTS

5,035,549 A	7/1991	Asano et al.	
5,087,157 A	2/1992	Shoji et al.	
D325,389 S	* 4/1992	Lin D15/132
D329,438 S	9/1992	Asano et al.	
D348,074 S	6/1994	Asano	
6,102,633 A	* 8/2000	Uehlein-Proctor 408/129
D447,494 S	9/2001	Miller	
D459,372 S	6/2002	Asano	

* cited by examiner

Primary Examiner—Antoine Duval Davis
(74) *Attorney, Agent, or Firm*—Wenderoth, Lind & Ponack,
L.L.P.

(57) **CLAIM**

The ornamental design for a drill stand, as shown and described.

DESCRIPTION

FIG. 1 is a perspective view taken from the top, front and right side of a drill stand showing my new design; FIG. 2 is a front elevational view thereof; FIG. 3 is a rear elevational view thereof; FIG. 4 is a top plan view thereof; FIG. 5 is a bottom plan view thereof; FIG. 6 is a left side elevational view thereof; FIG. 7 is a right side elevational view thereof; FIG. 8 is a perspective illustrative view of the drill stand of which the manual wheel-handle is installed on the back side of the said stand; and, FIG. 9 is a front view of the drill stand illustrating the electric drill is mounted on the movable plate of the drill stand.
The broken line showing is for illustrative purposes only and forms no part of the claimed design.

1 Claim, 5 Drawing Sheets

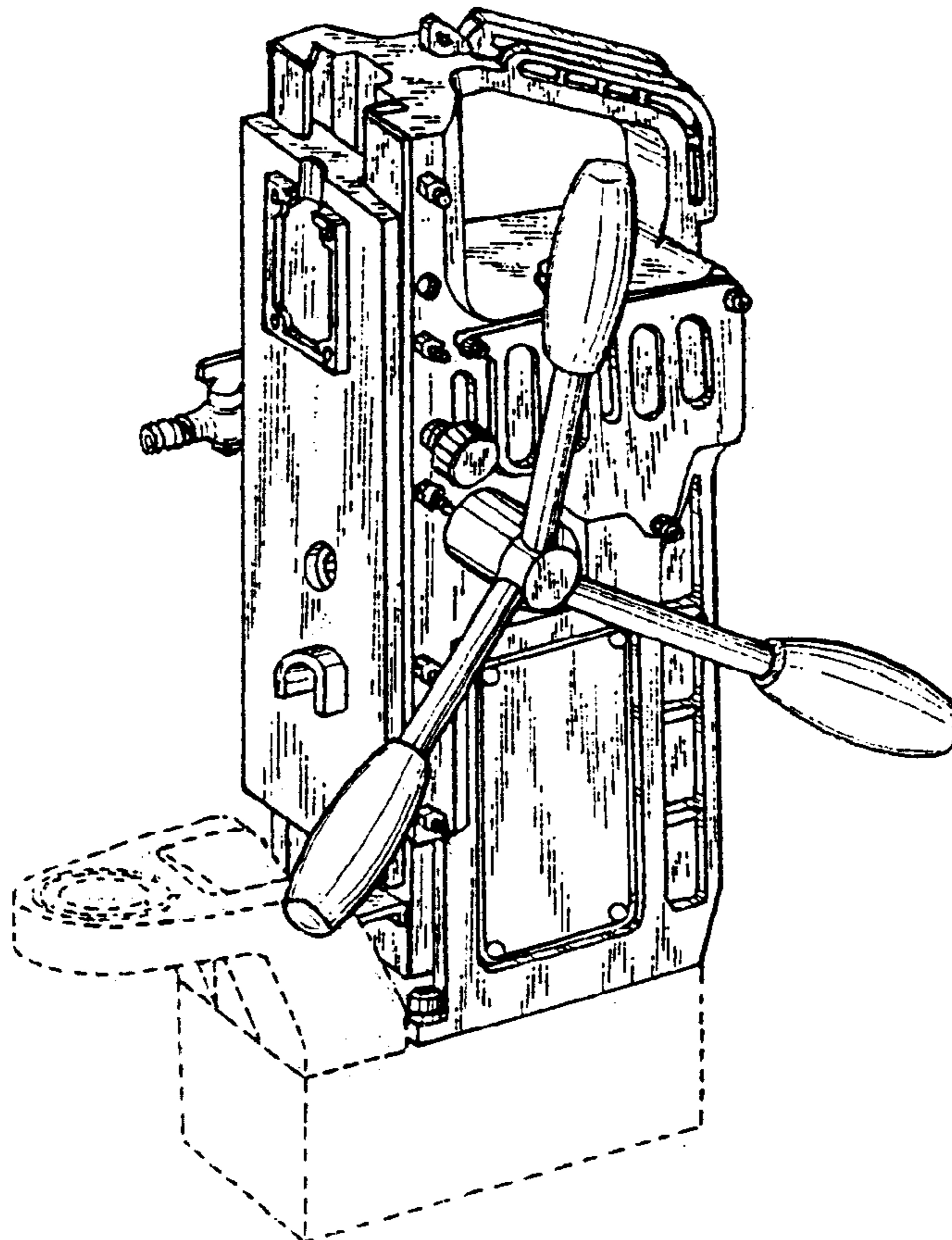


FIG. 1

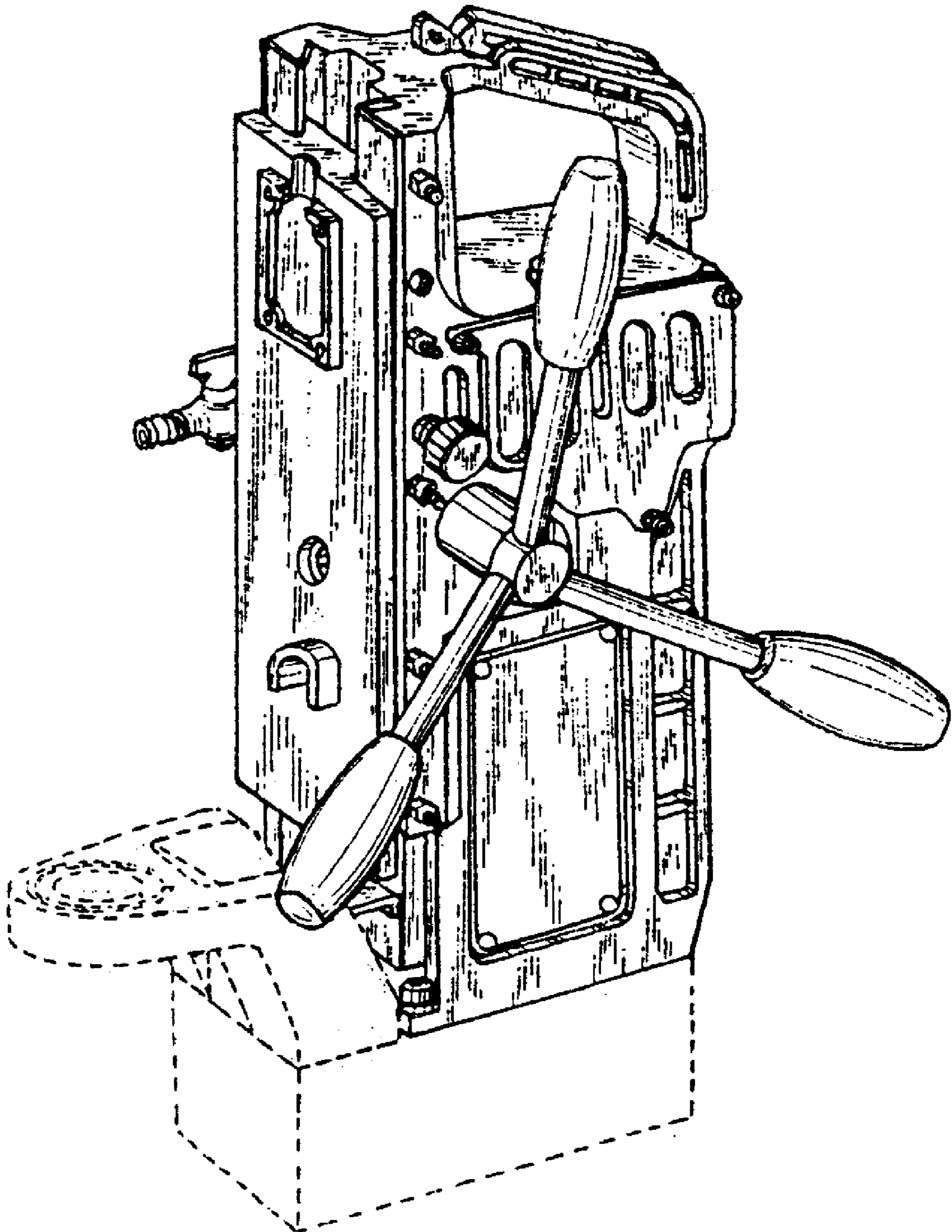


FIG. 2

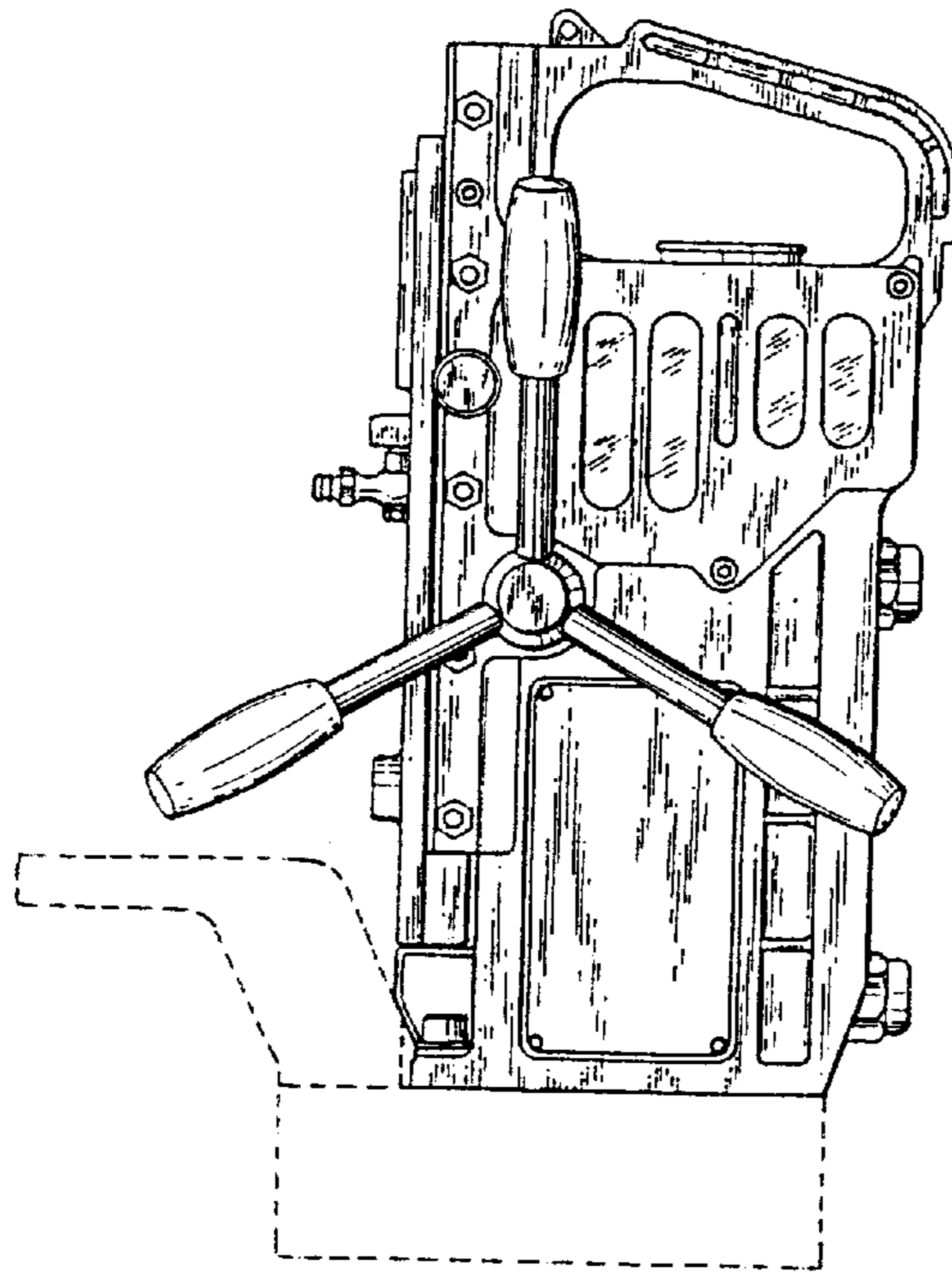


FIG. 3

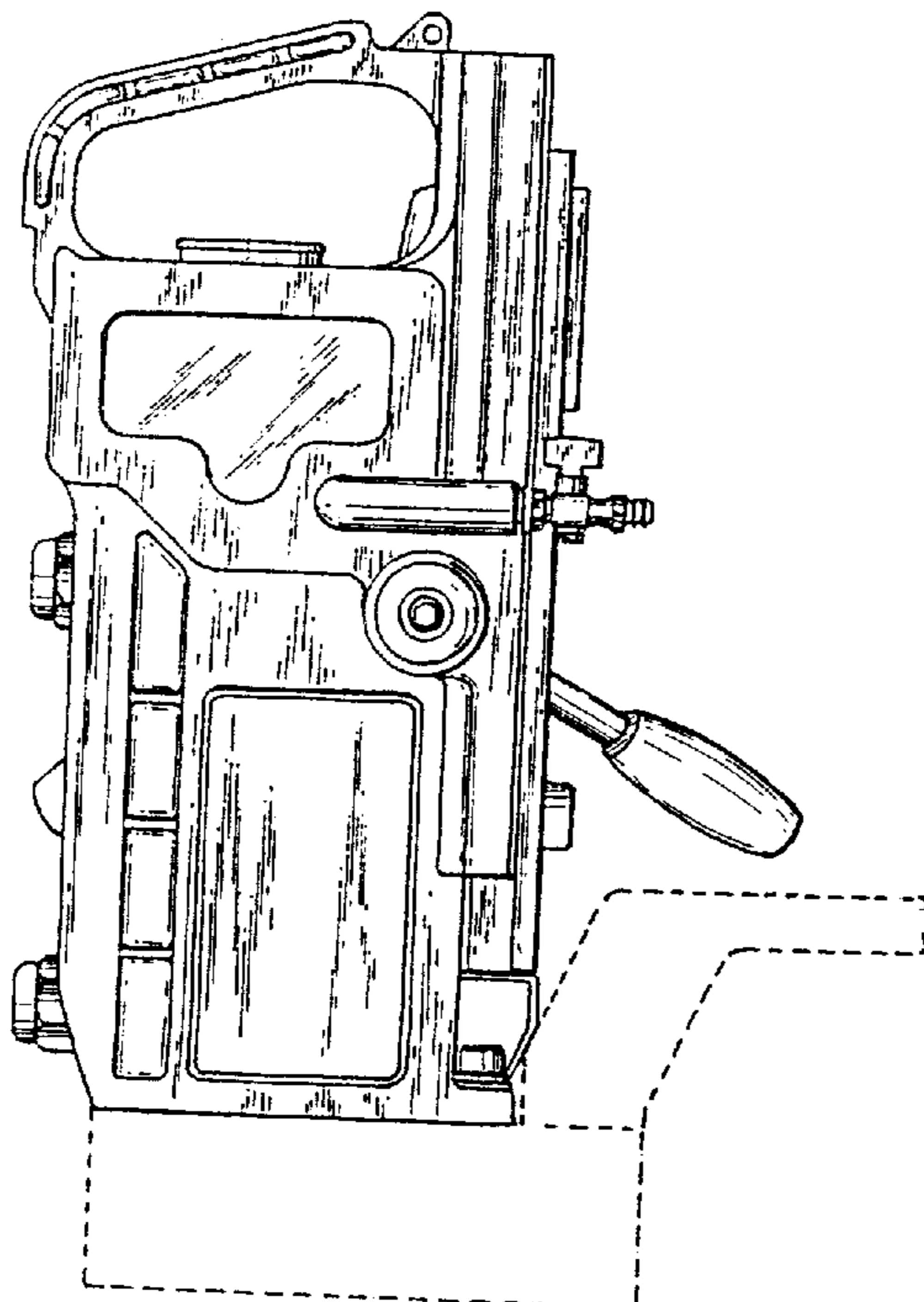


FIG. 4

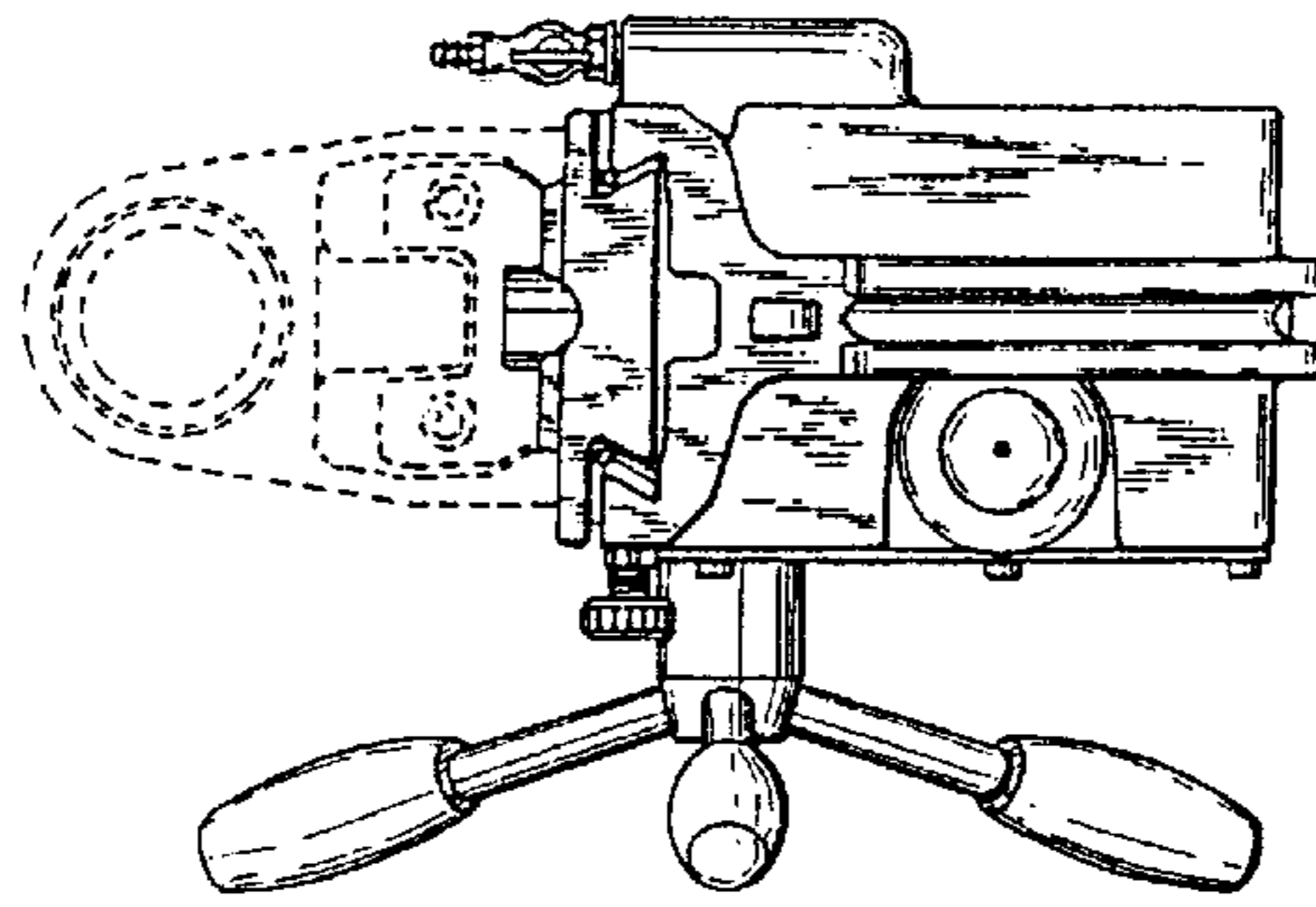


FIG. 5

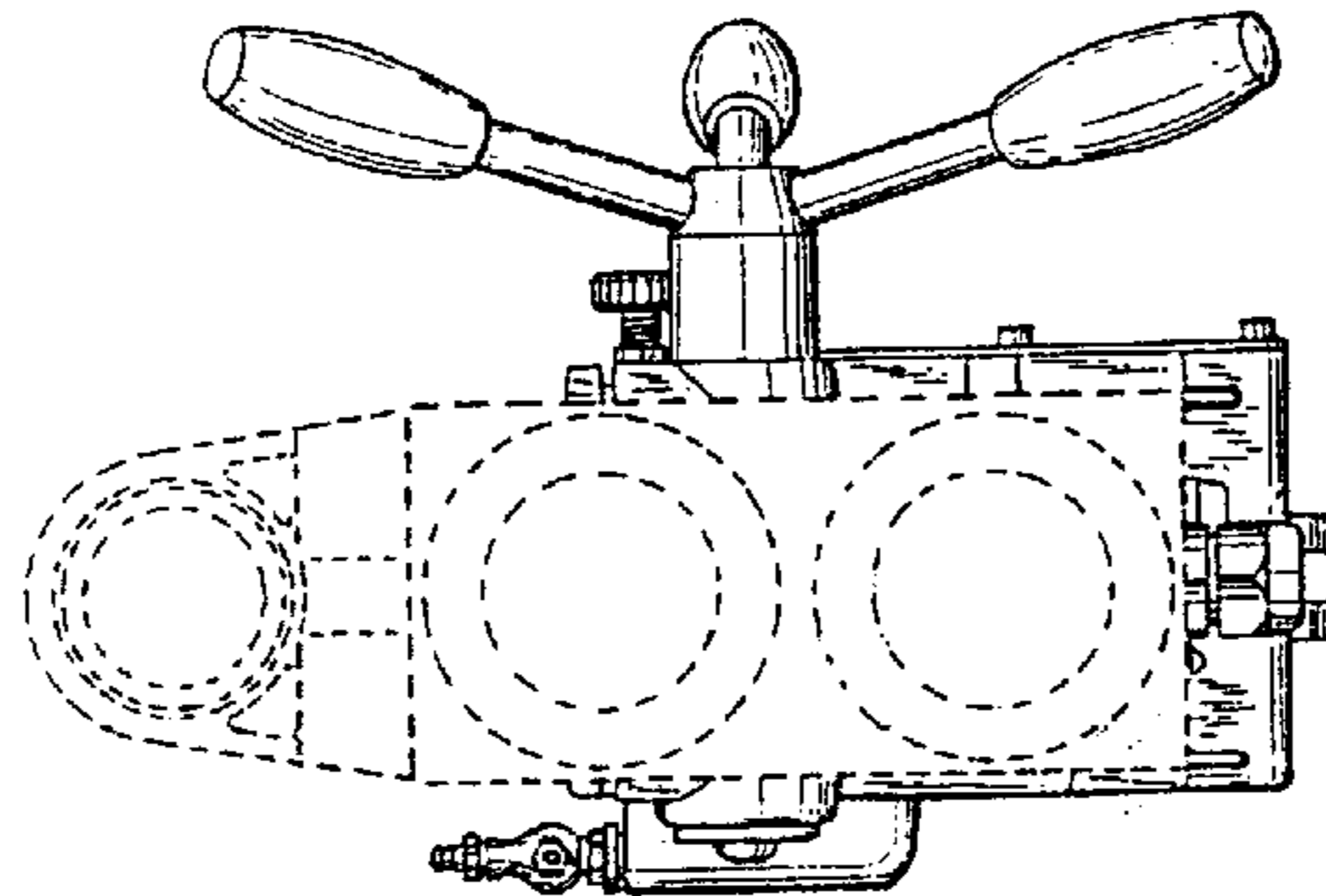


FIG. 6

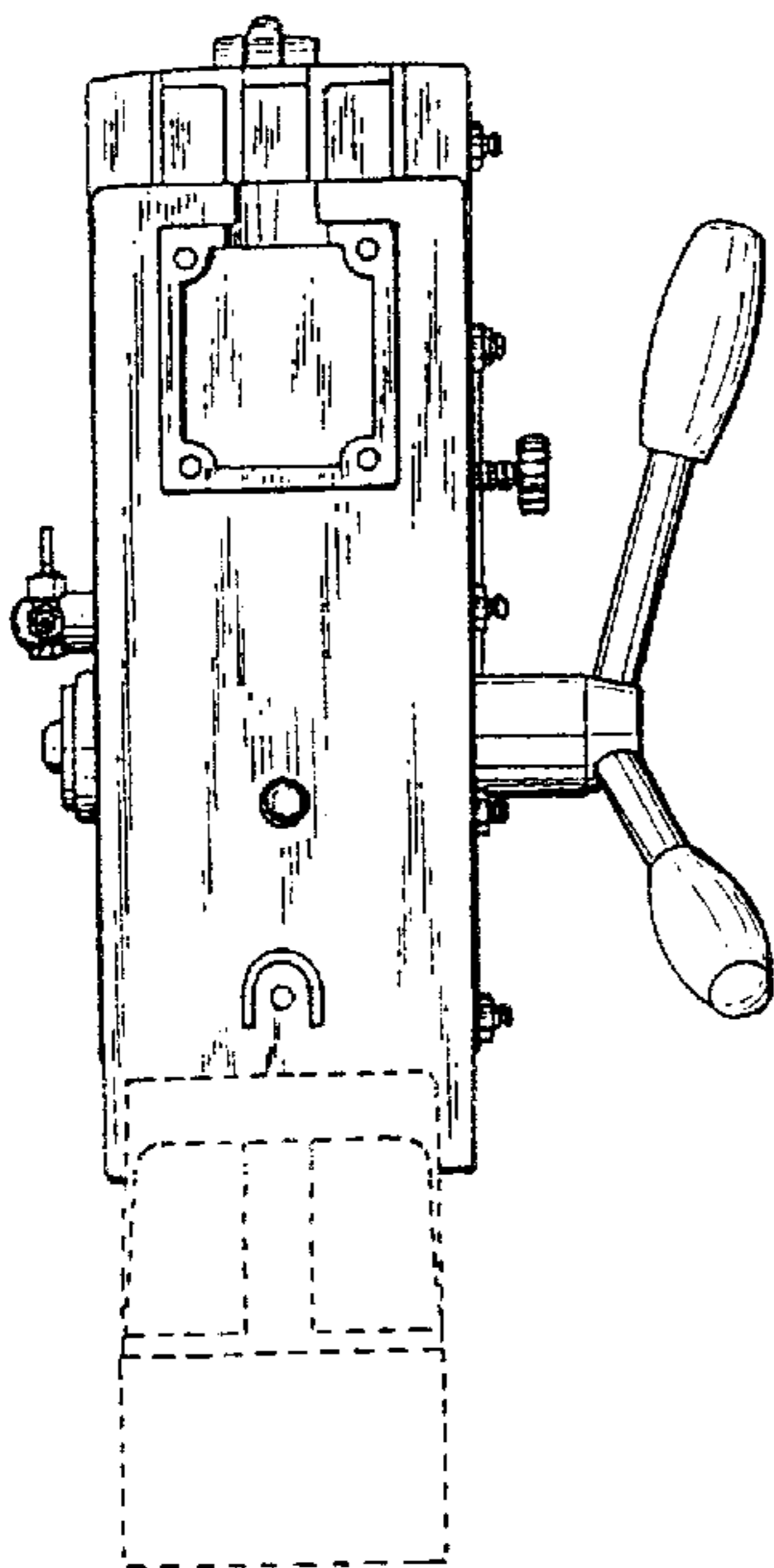


FIG. 7

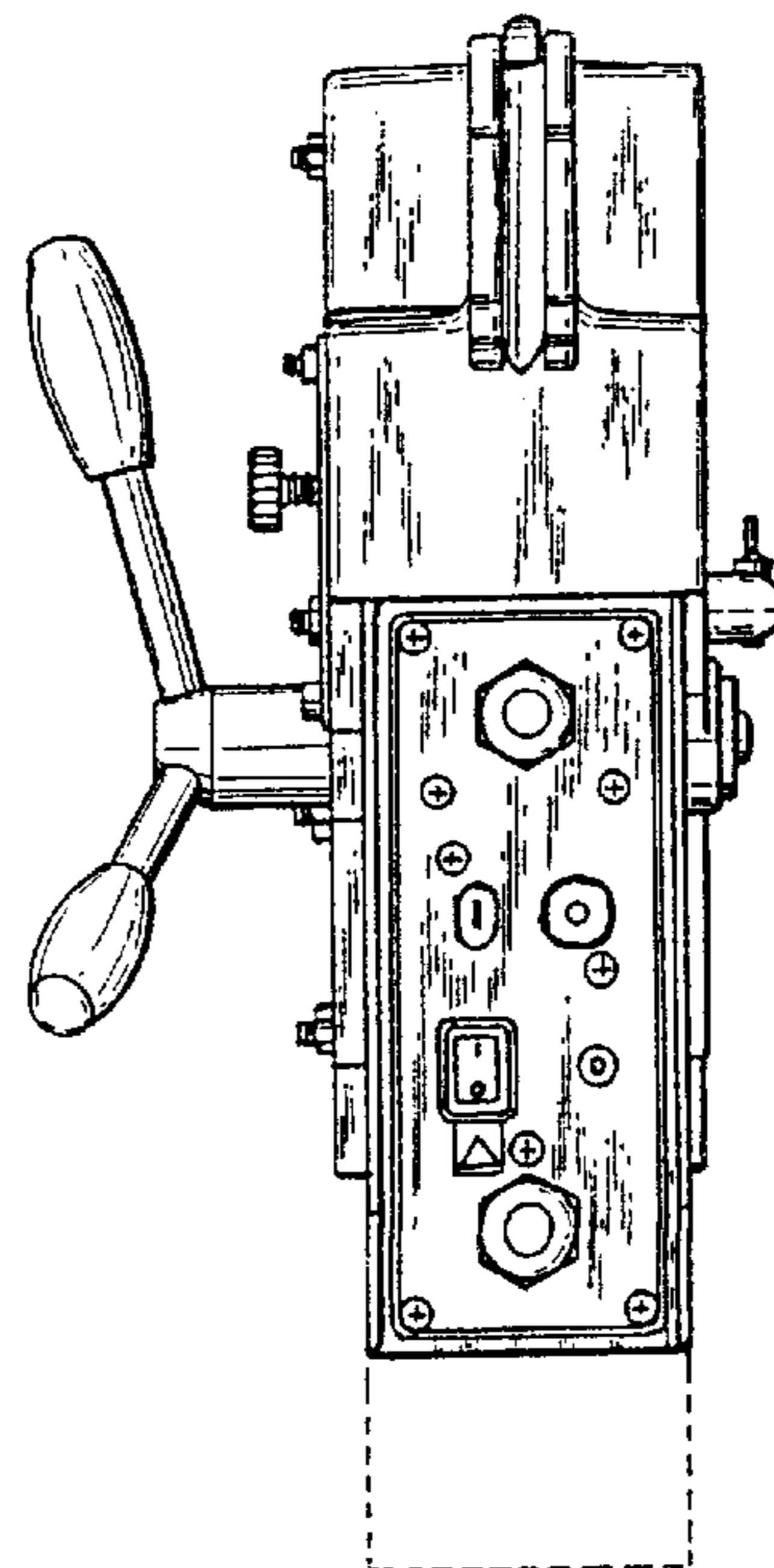


FIG. 8

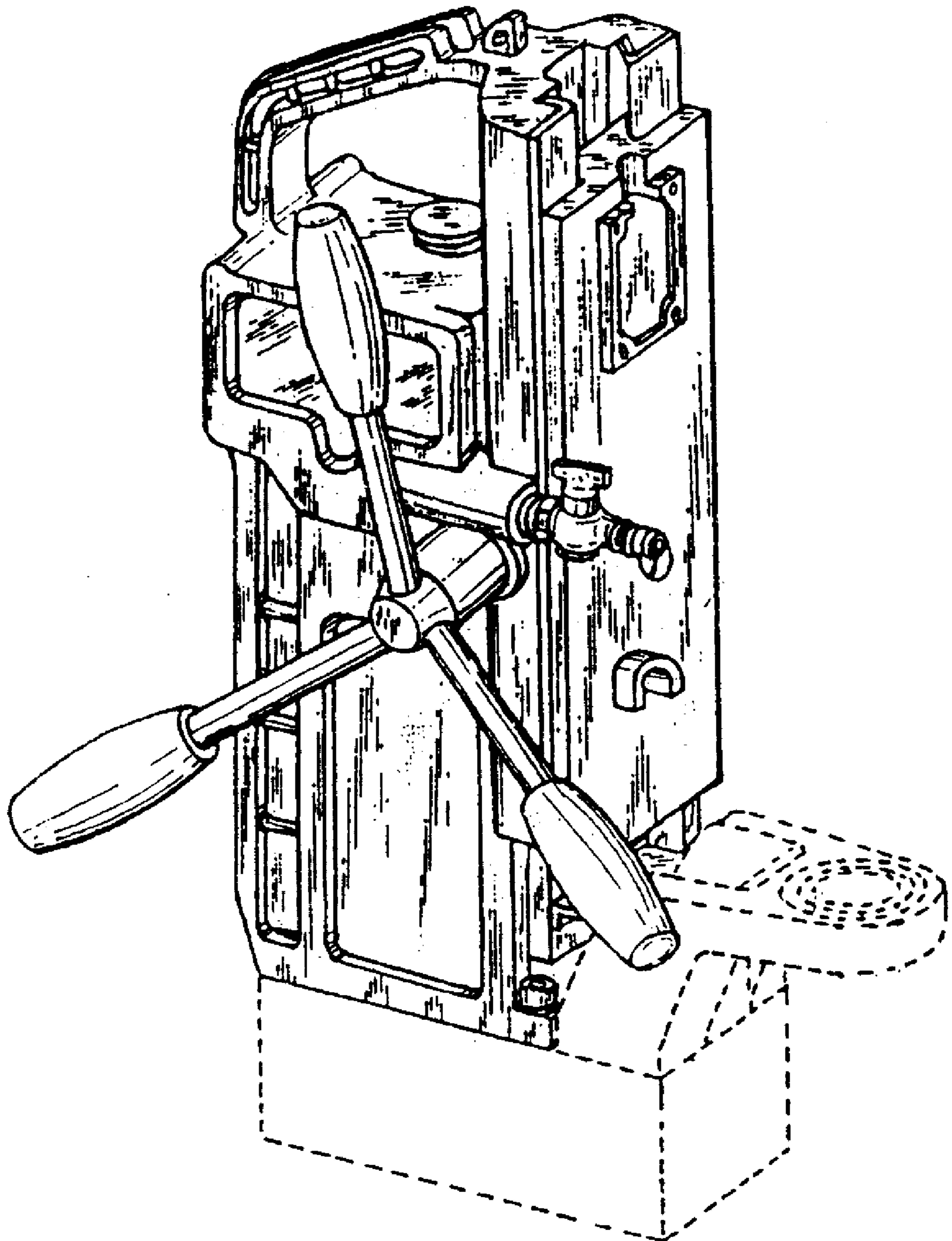


FIG. 9

