



US00D472248S

(12) **United States Design Patent**
Riess et al.

(10) **Patent No.:** **US D472,248 S**

(45) **Date of Patent:** **** Mar. 25, 2003**

(54) **ENGINE DRIVEN ROTATING TROWEL**

(75) Inventors: **Joseph A. Riess**, Dayton, OH (US);
Robert V. Oaks, Ludlow Falls, OH (US)

(73) Assignee: **Tailored Systems Inc.**, Dayton, OH (US)

(**) Term: **14 Years**

(21) Appl. No.: **29/155,462**

(22) Filed: **Feb. 12, 2002**

(51) **LOC (7) Cl.** **15-03**

(52) **U.S. Cl.** **D15/10**

(58) **Field of Search** D15/10; 404/85,
404/96, 49.1, 112

(56) **References Cited**

U.S. PATENT DOCUMENTS

3,791,754 A	2/1974	Zochil	
3,973,857 A *	8/1976	Whiteman, Jr.	404/112
4,046,483 A	9/1977	Sutherland	
4,232,980 A	11/1980	Tertinek et al.	
4,320,986 A	3/1982	Morrison	

4,577,993 A * 3/1986 Allen et al. 404/112

4,629,359 A 12/1986 Sengupta

5,009,547 A * 4/1991 Clark 404/112

5,405,216 A 4/1995 Allen et al.

6,419,419 B1 * 7/2002 Kelsay, III 404/112

* cited by examiner

Primary Examiner—Antoine Duval Davis

(74) *Attorney, Agent, or Firm*—Jacox, Meckstroth & Jenkins

(57) **CLAIM**

The ornamental design of an engine driven rotating trowel, as shown and described.

DESCRIPTION

FIG. 1 is a perspective view of an engine driven rotating trowel, showing our new design; FIG. 2 is a front view thereof; FIG. 3 is a rear view thereof; FIG. 4 is a top view thereof; FIG. 5 is a right side view thereof; FIG. 6 is a bottom view thereof; and, FIG. 7 is a left side view thereof.

1 Claim, 4 Drawing Sheets

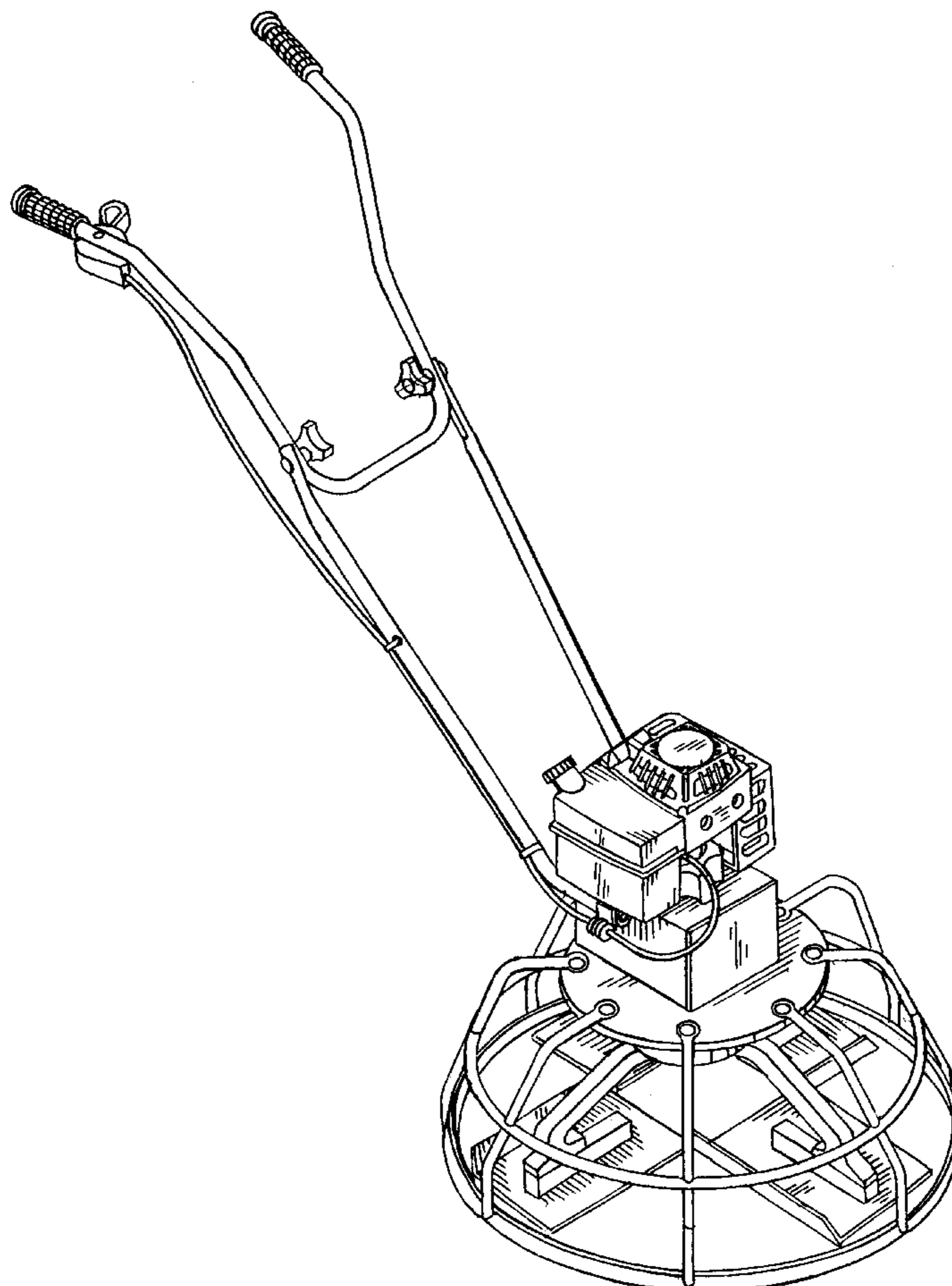


FIG-1

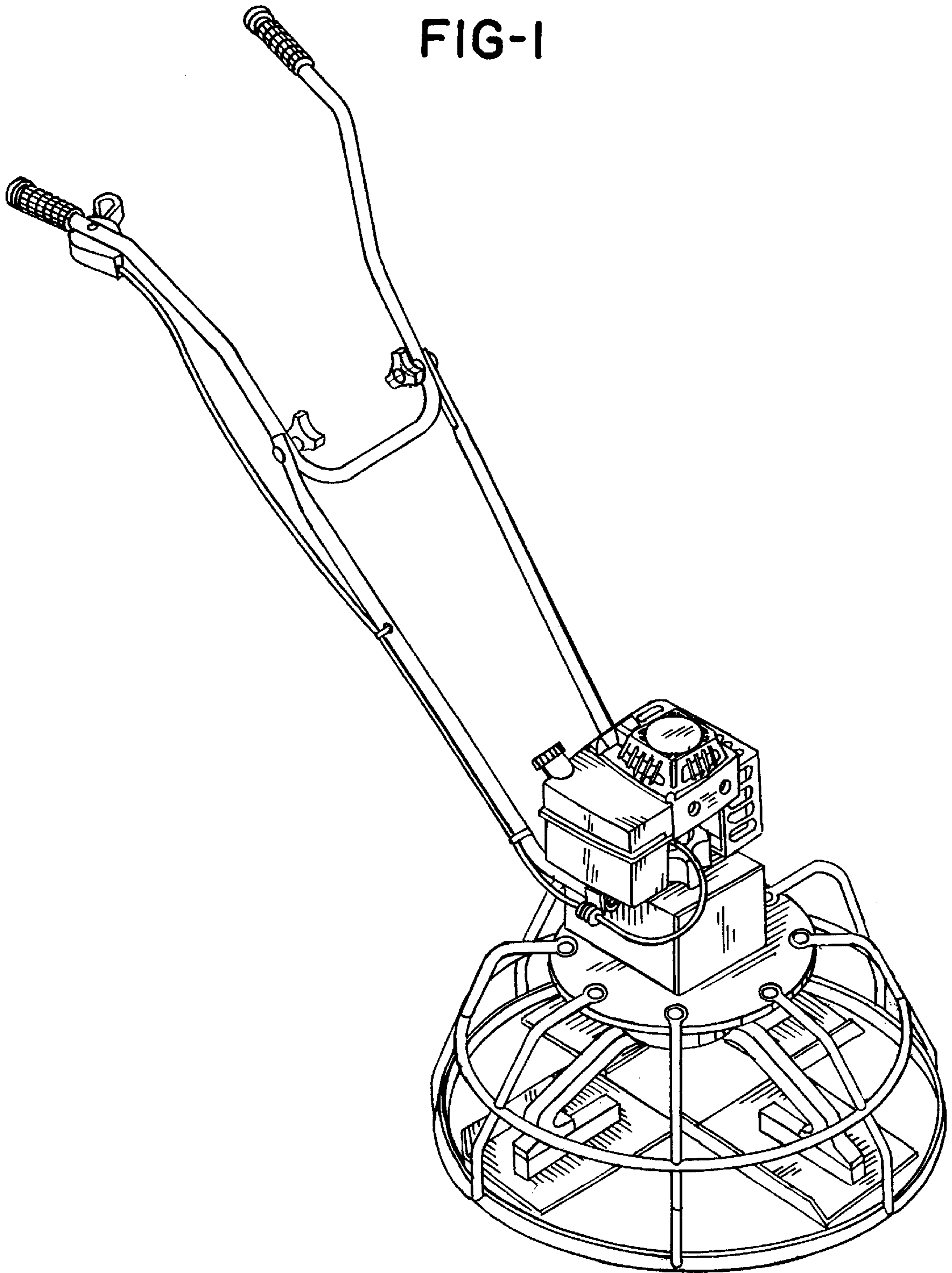


FIG-2

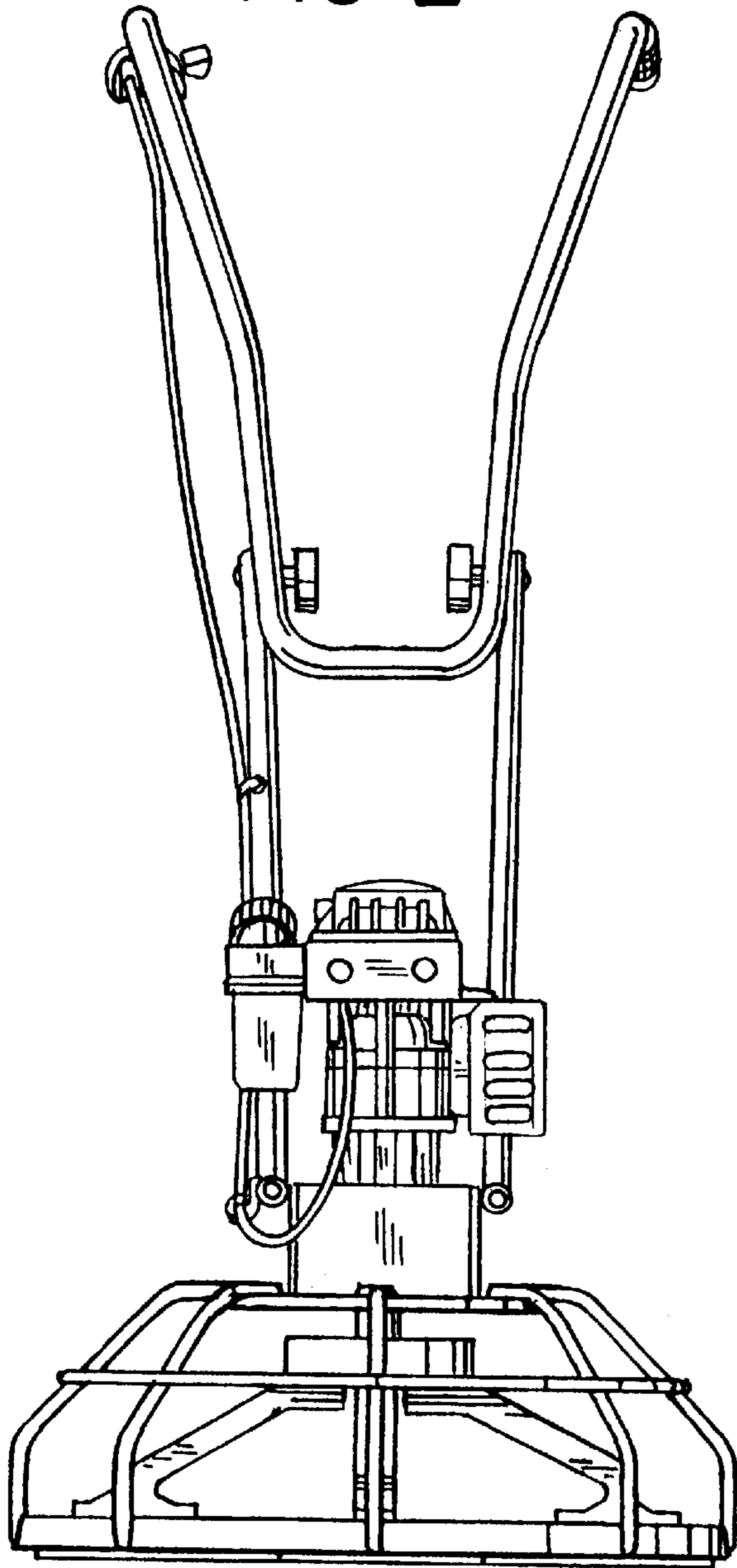
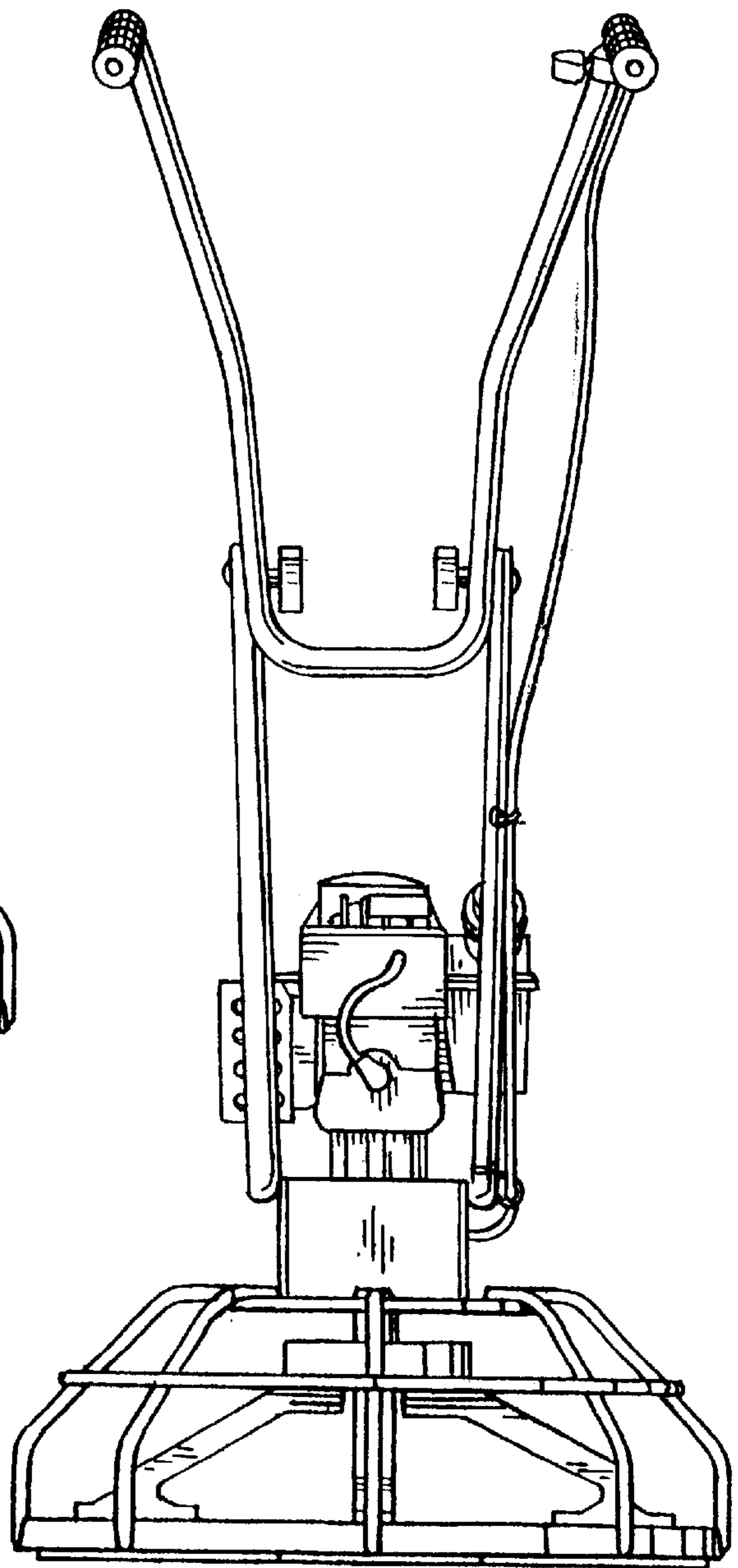
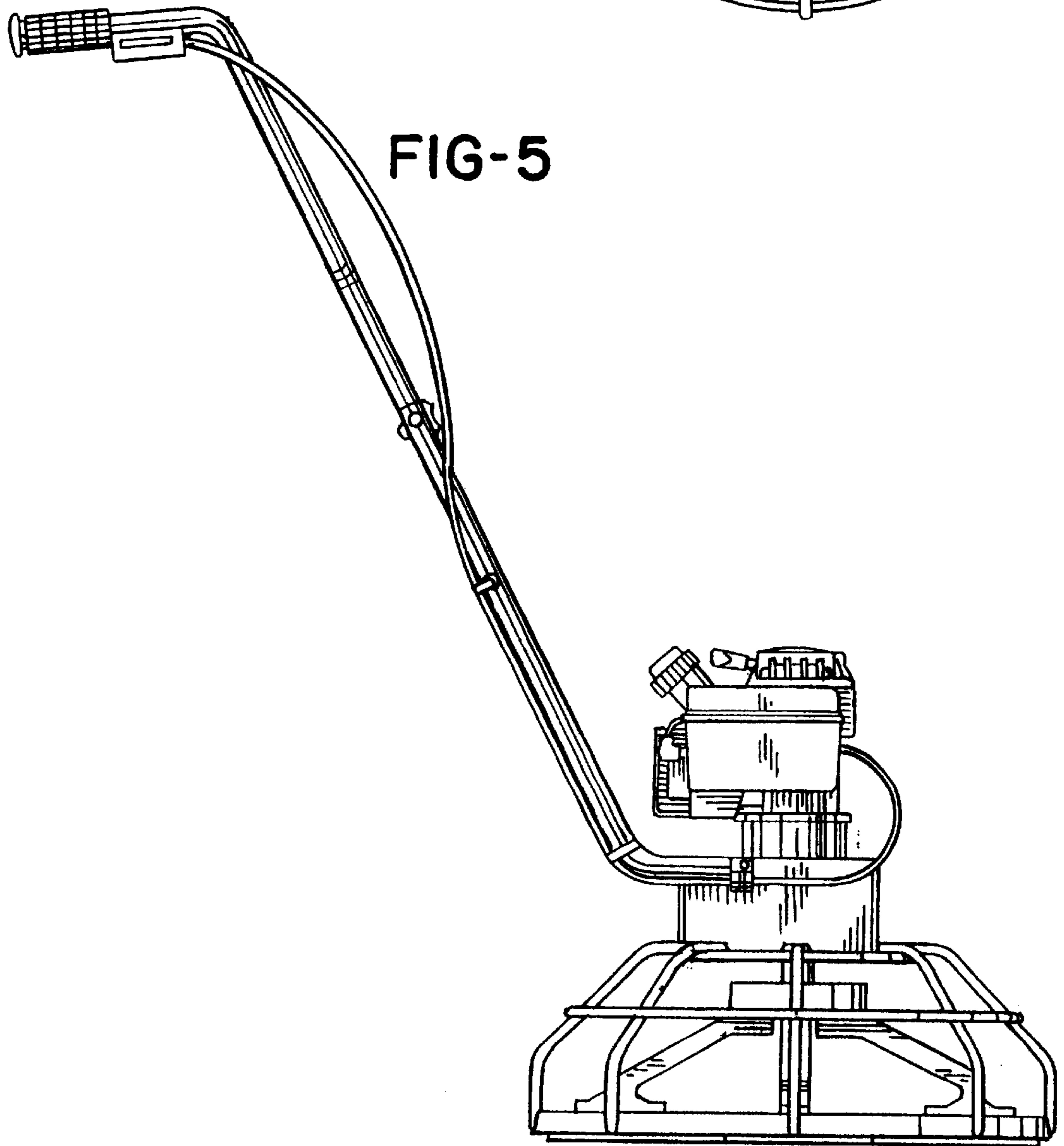
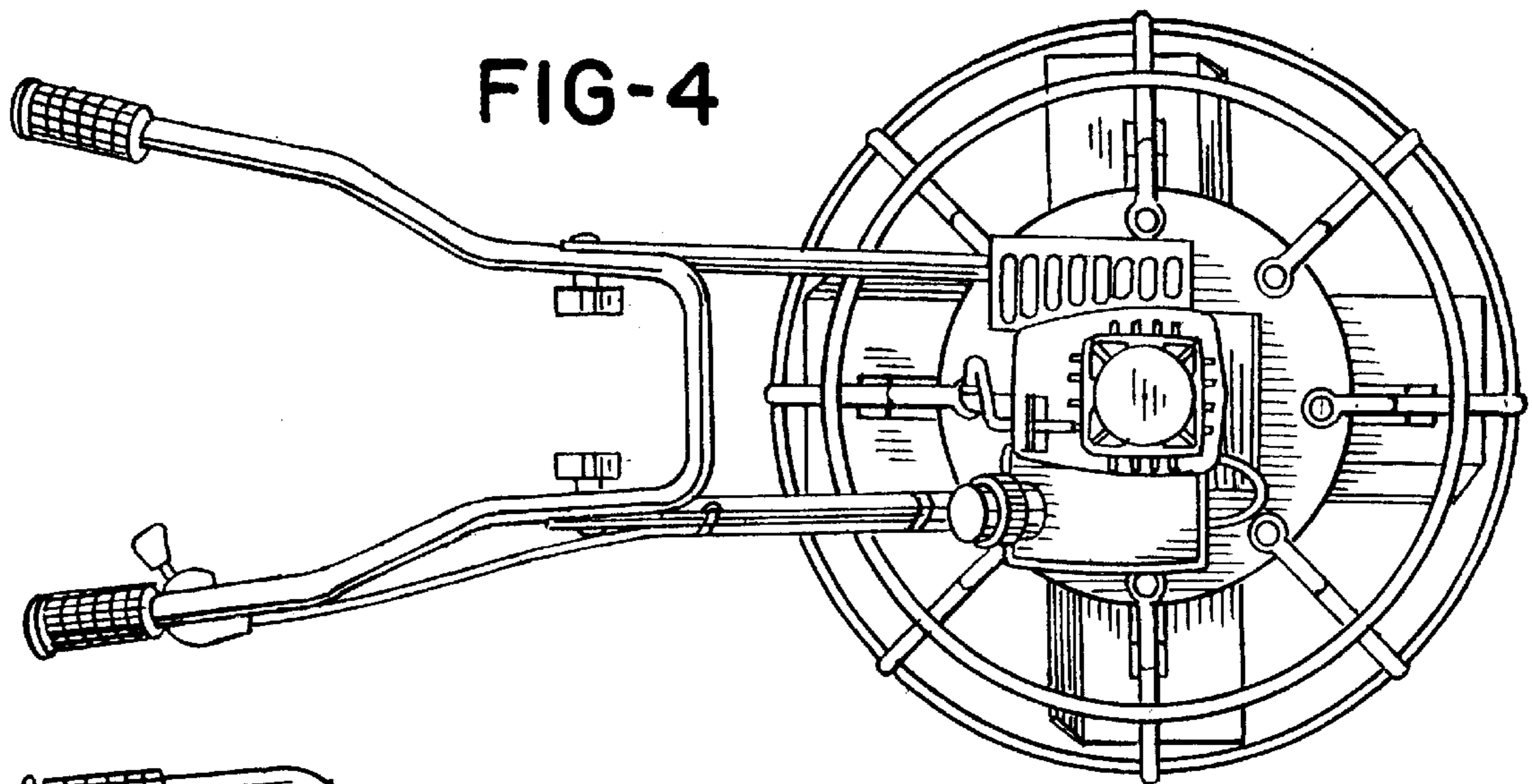


FIG-3





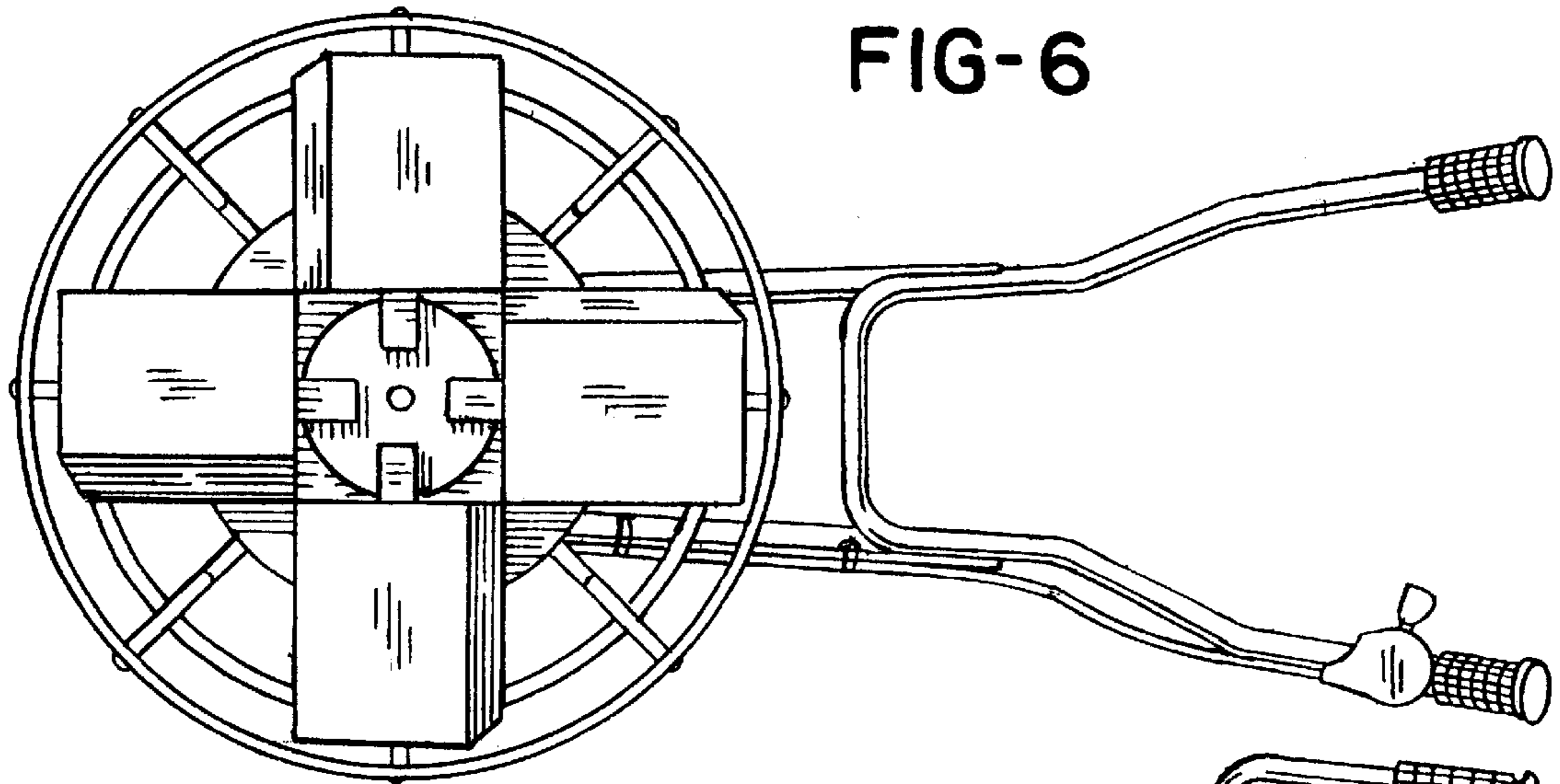


FIG-6

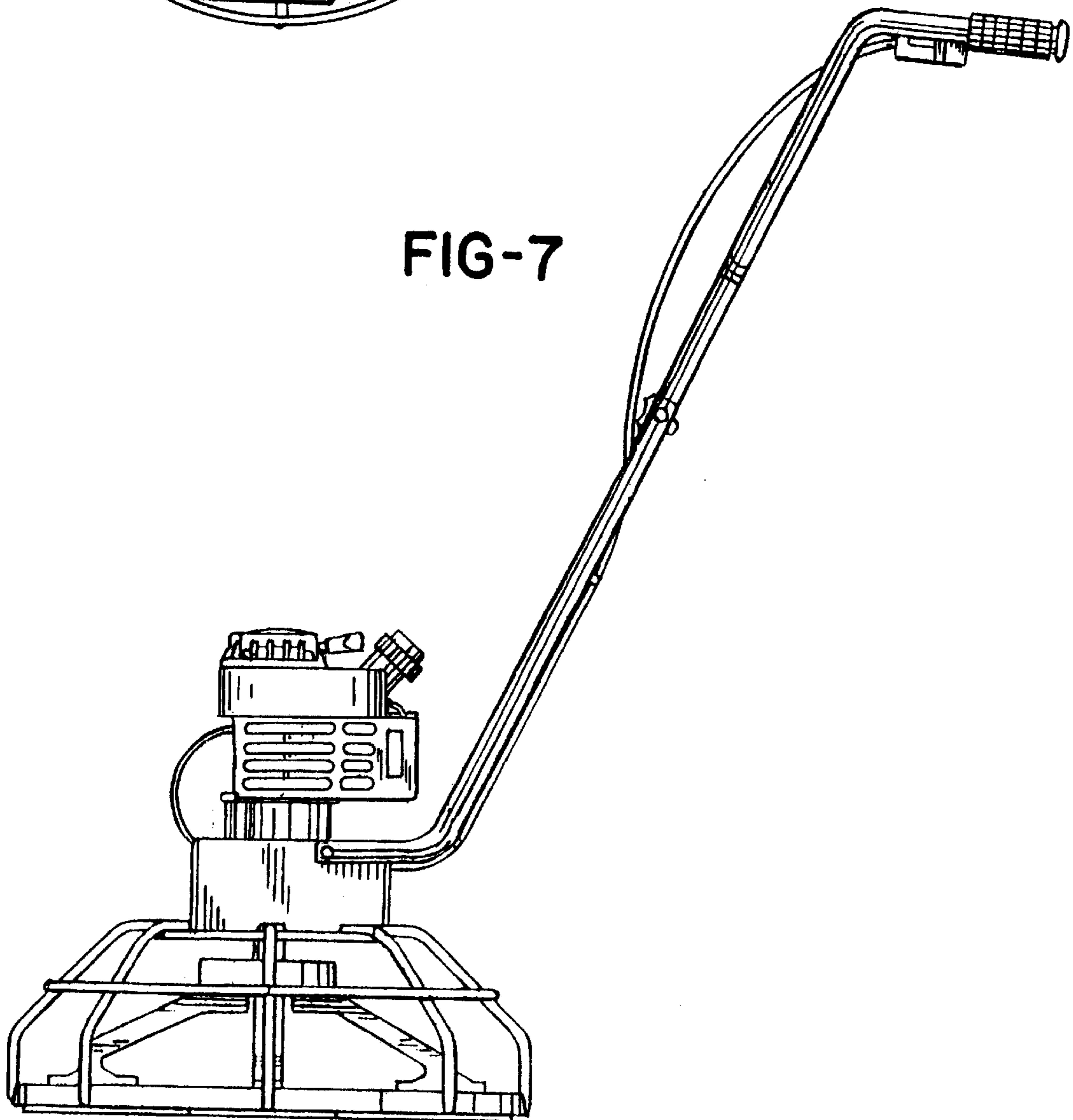


FIG-7