



US00D472247S

(12) **United States Design Patent**  
**Beer et al.**

(10) **Patent No.:** **US D472,247 S**

(45) **Date of Patent:** **\*\* Mar. 25, 2003**

(54) **TRANSMISSION FLUID FILTER**

D458,275 S \* 6/2002 Weng ..... D15/5  
D458,276 S \* 6/2002 Weng ..... D15/5

(75) Inventors: **Markus Beer**, Morsbach (DE); **Marco Rosendahl**, Wiehl (DE); **Deitmar Sahm**, Reichshof (DE)

\* cited by examiner

*Primary Examiner*—Melody N. Brown

(73) Assignee: **IBS Filtran Kunststoff-/Metallerteugnisse GmbH**, Morsbach (DE)

(74) *Attorney, Agent, or Firm*—Baker & Hostetler, LLP

(\*\*) Term: **14 Years**

(57) **CLAIM**

The ornamental design for a transmission fluid filter, as shown and described.

(21) Appl. No.: **29/156,041**

**DESCRIPTION**

(22) Filed: **Feb. 25, 2002**

FIG. 1 is a perspective view of the transmission fluid filter, particularly showing the inventive design thereof;  
FIG. 2 is a rear elevation view thereof;  
FIG. 3 is a front elevation view thereof;  
FIG. 4 is a right side elevation view thereof;  
FIG. 5 is a left side elevation view thereof;  
FIG. 6 is a bottom plan view thereof; and,  
FIG. 7 is a top plan view thereof.

(51) **LOC (7) Cl.** ..... **15-01**

(52) **U.S. Cl.** ..... **D15/5**

(58) **Field of Search** ..... D15/1-5, 149;  
210/168, 314, 445

(56) **References Cited**

**U.S. PATENT DOCUMENTS**

D420,682 S \* 2/2000 Werner ..... D15/5

**1 Claim, 5 Drawing Sheets**

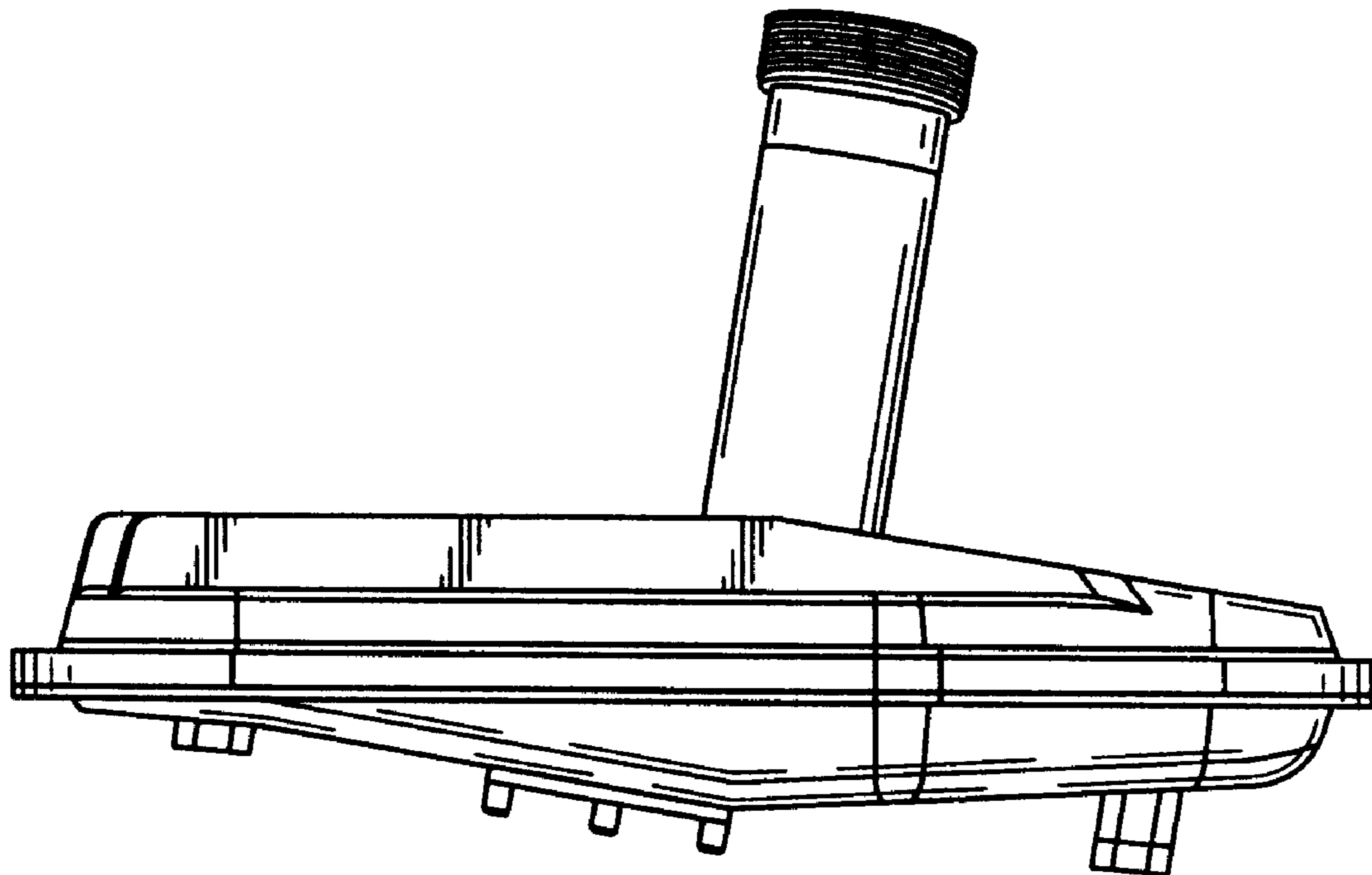


Fig. 1

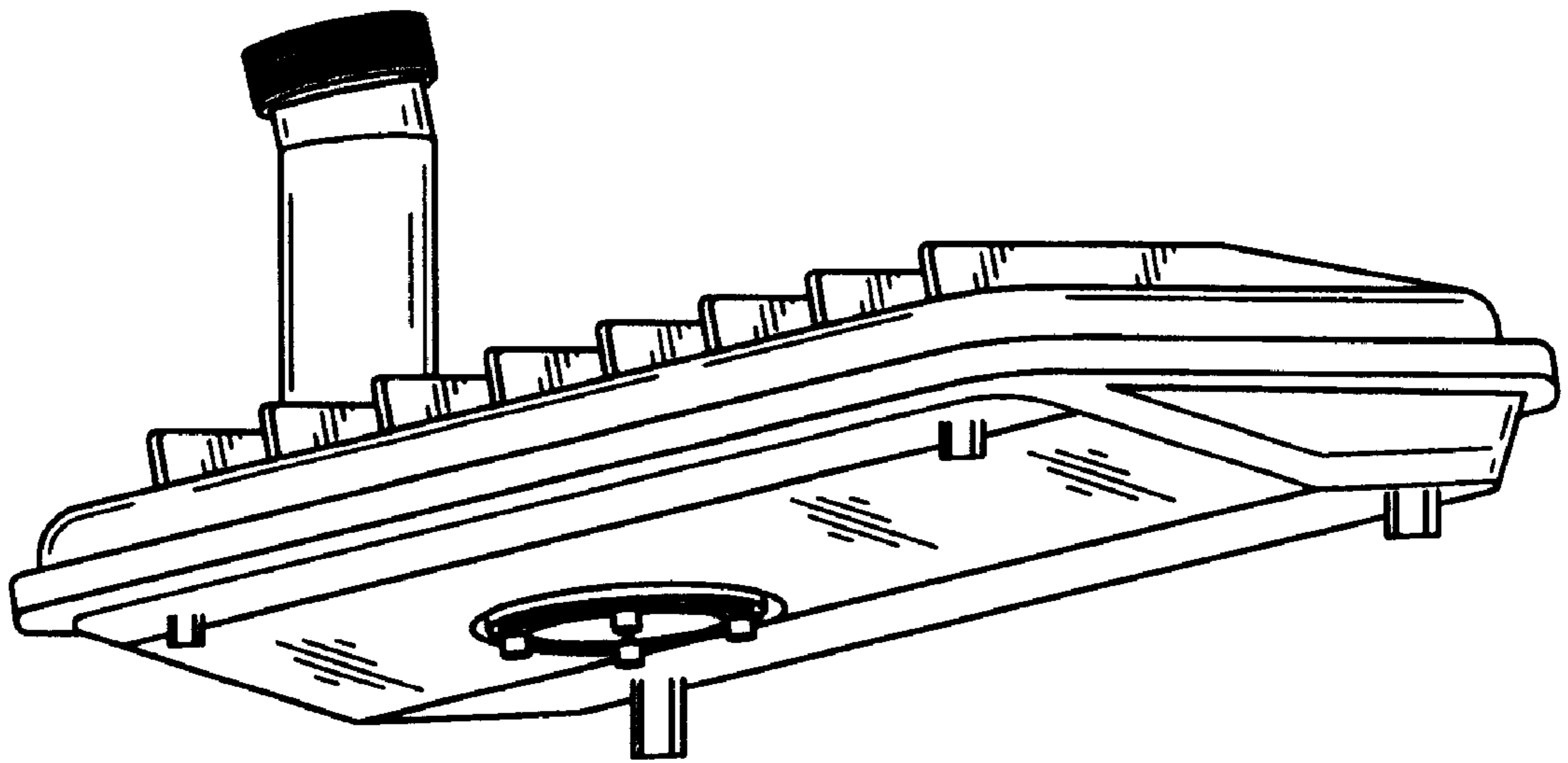


Fig. 2

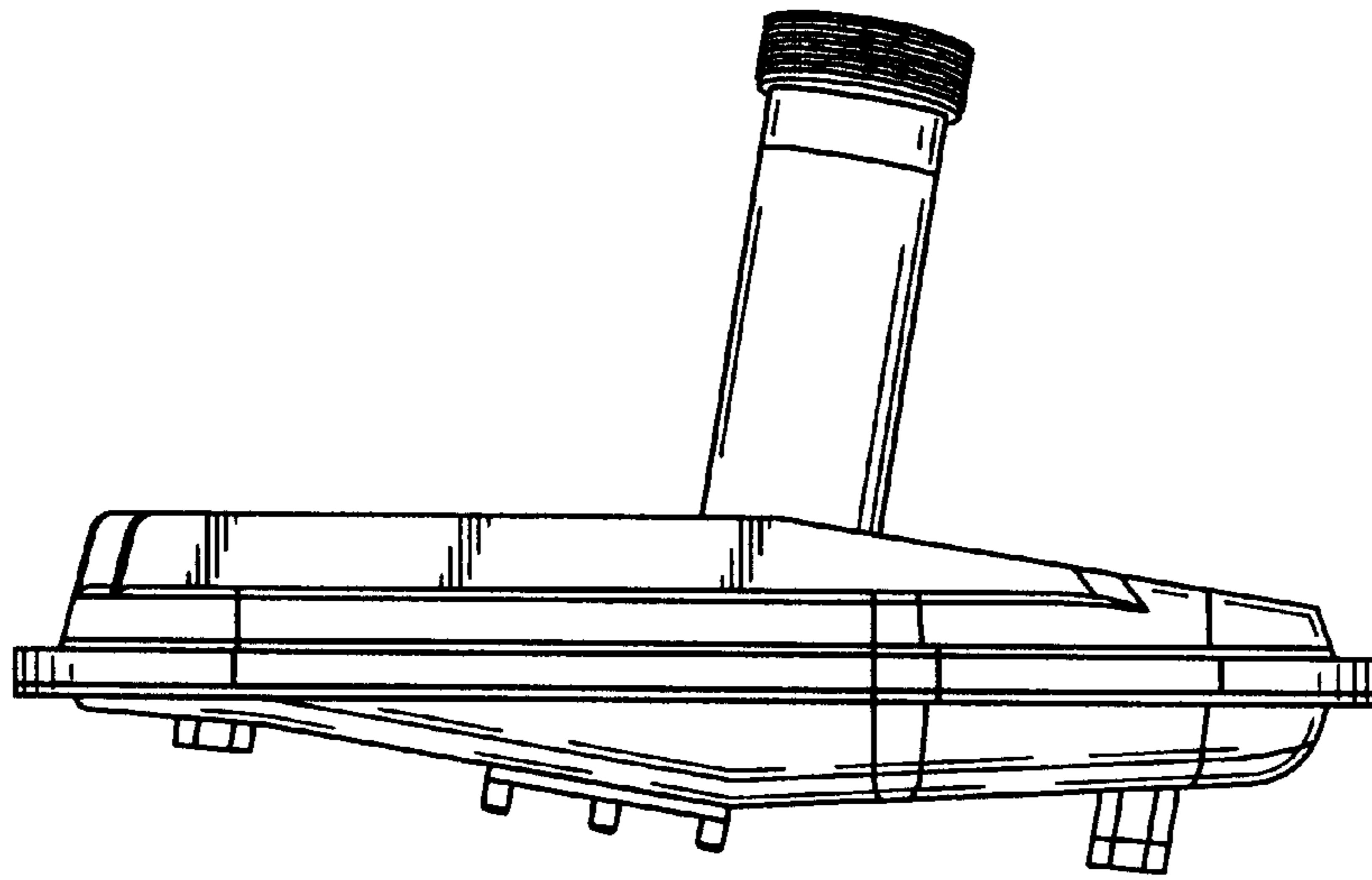


Fig. 3

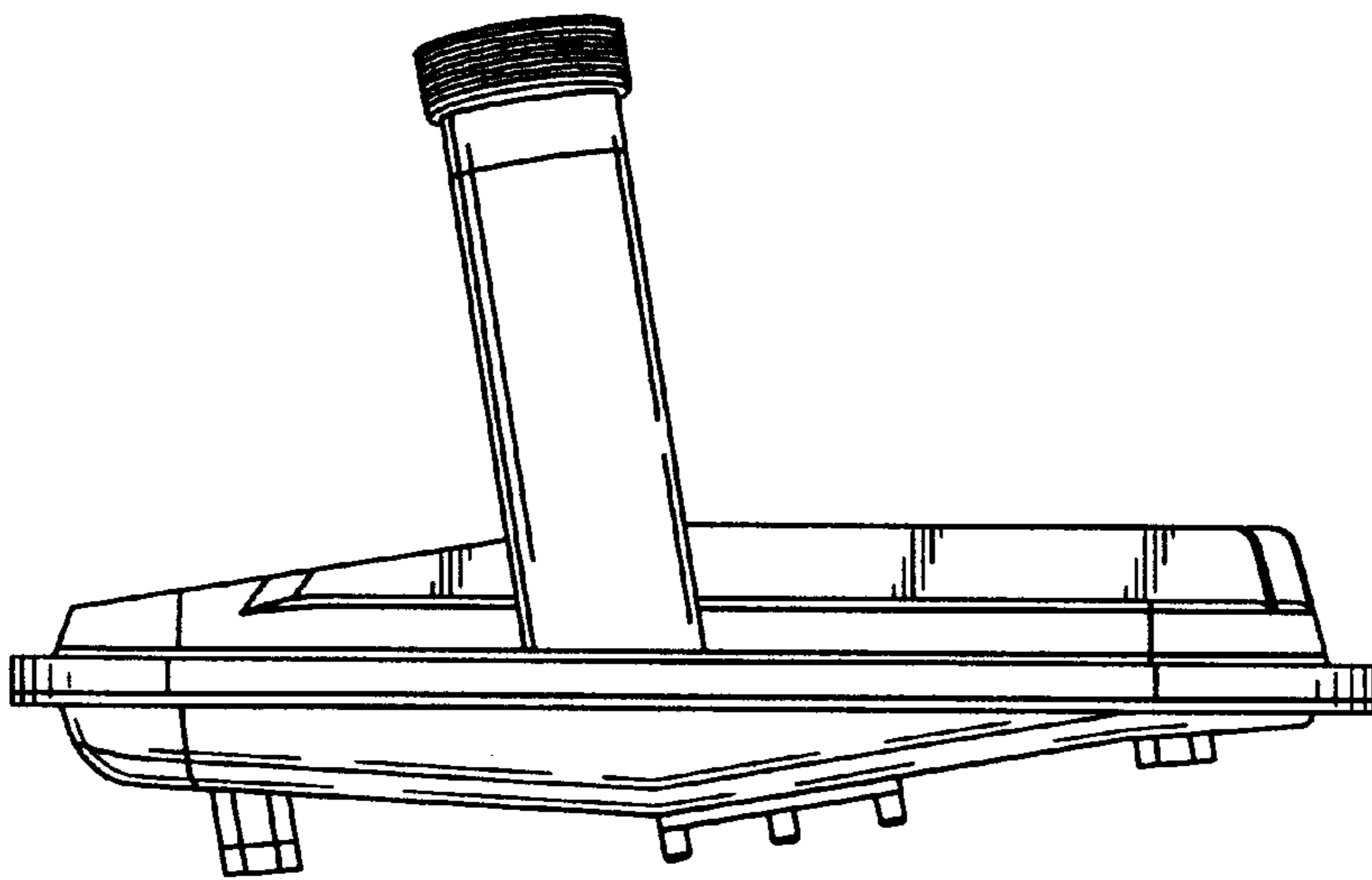


Fig. 4

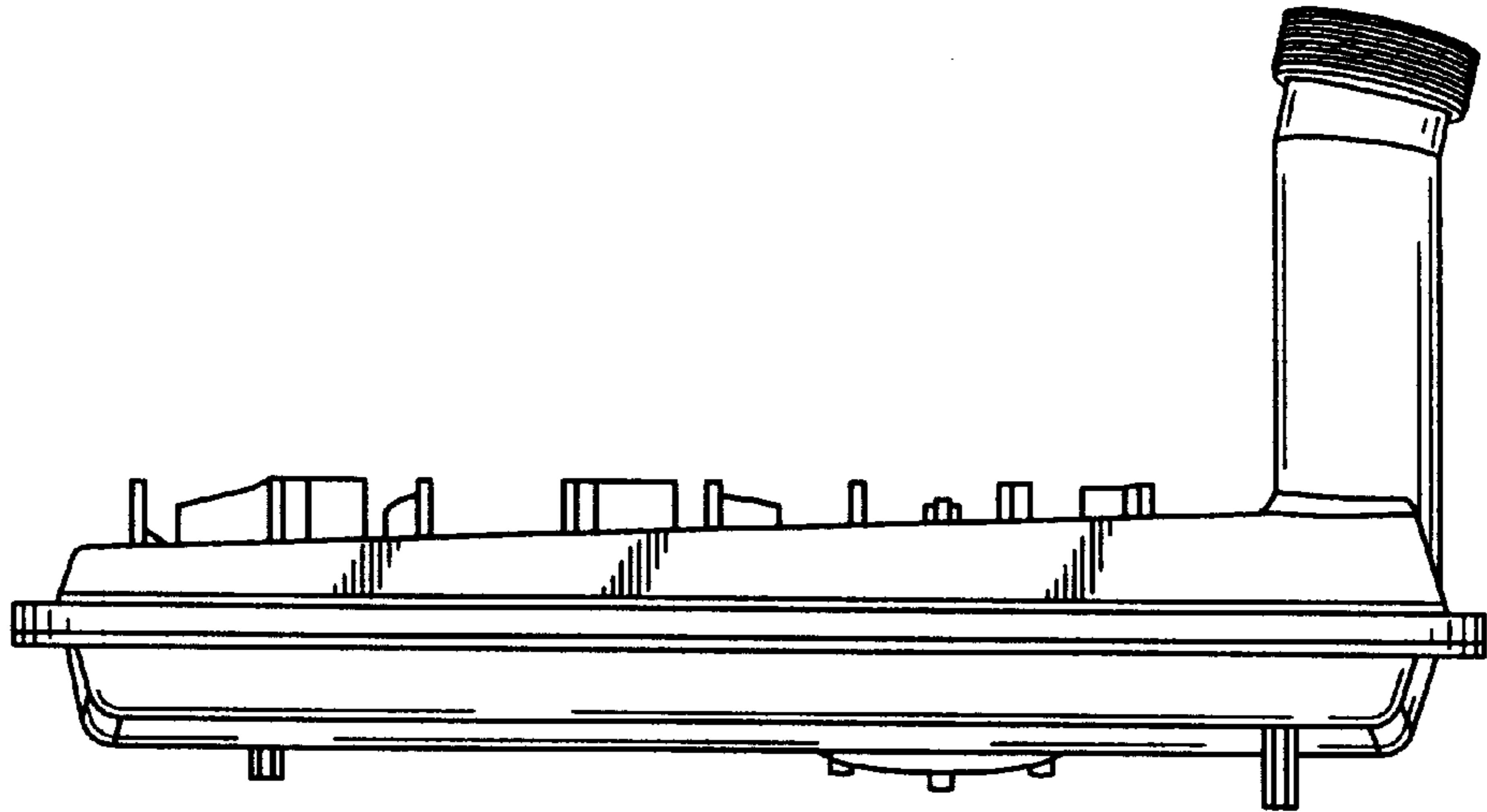


Fig. 5

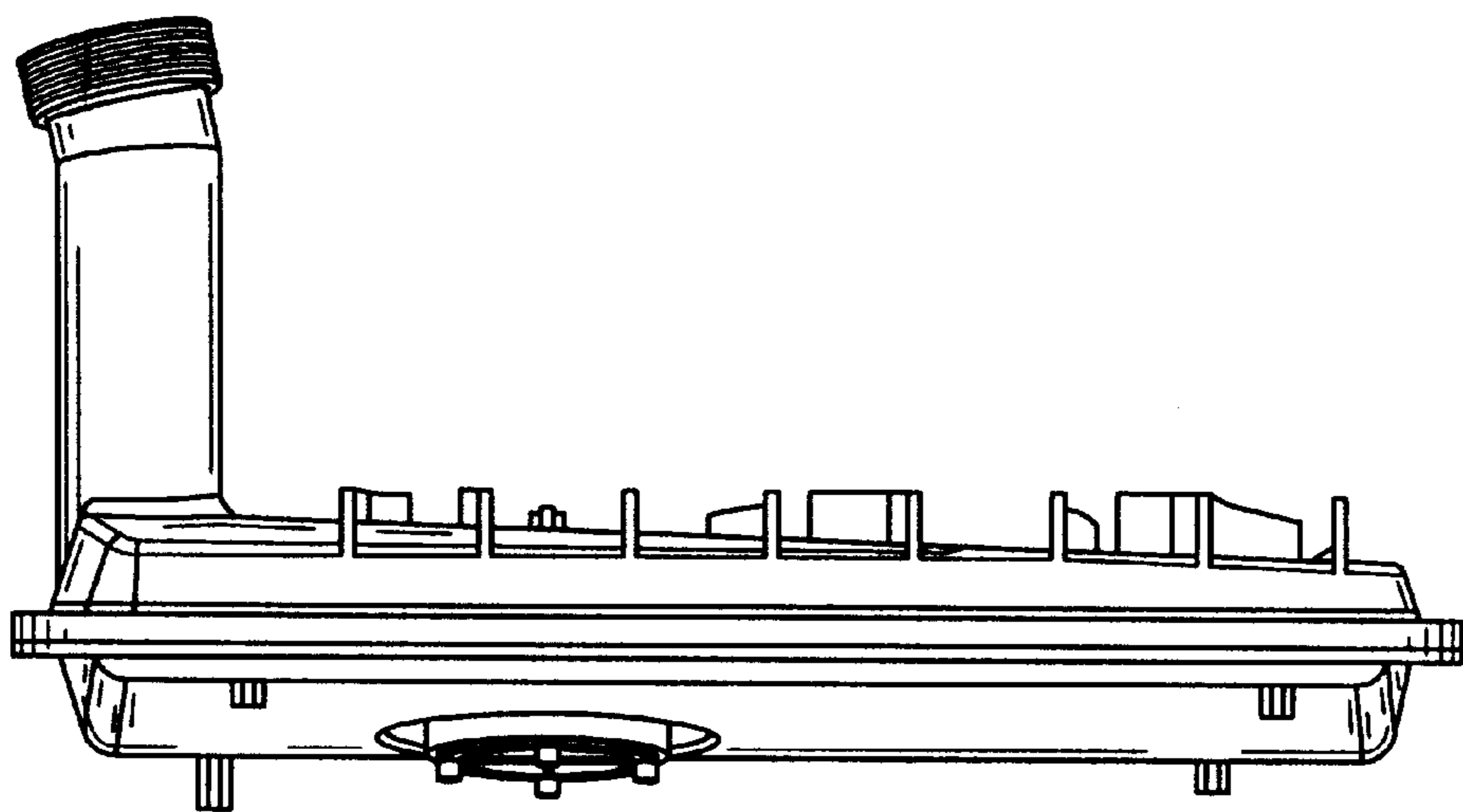


Fig. 6

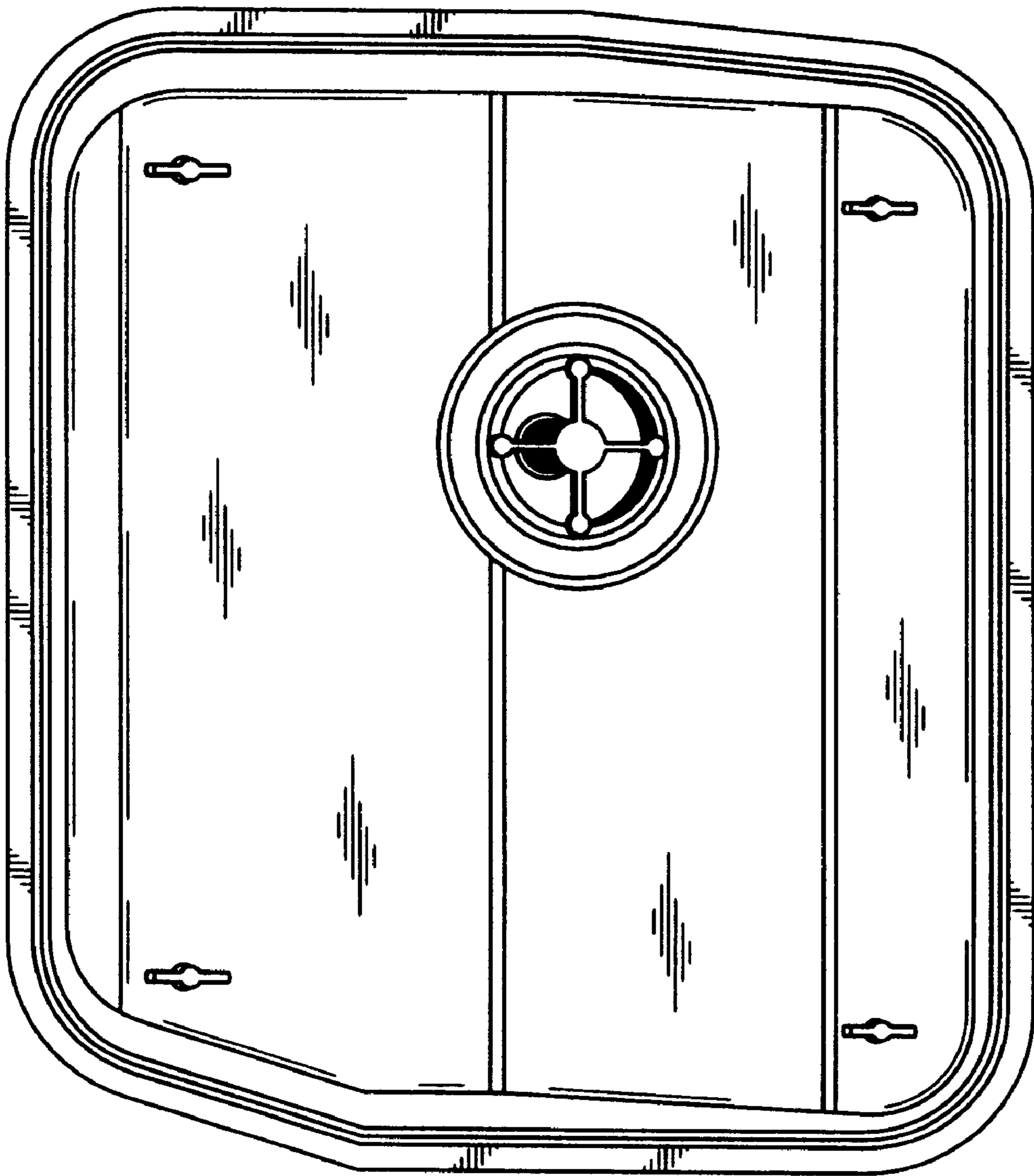


Fig. 7

