



US00D472246S

(12) **United States Design Patent**
Ayton

(10) **Patent No.:** **US D472,246 S**

(45) **Date of Patent:** **** Mar. 25, 2003**

(54) **LID FOR AN AIR BOX IN AN AUTOMOTIVE INDUCTION SYSTEM**

D449,310 S * 10/2001 Agresta et al. D15/7

* cited by examiner

(76) **Inventor:** **W. Brooke Ayton**, 10245 W. Airport,
Stafford, TX (US) 77477

Primary Examiner—Melody N. Brown

(**) **Term:** **14 Years**

(57) **CLAIM**

(21) **Appl. No.:** **29/145,760**

The ornamental design for a lid for an air box in an automotive induction system, as shown and described.

(22) **Filed:** **Jul. 27, 2001**

DESCRIPTION

(51) **LOC (7) Cl.** **15-01**

FIG. 1 is a perspective view of a lid for an air box in an automotive induction system of my novel design;

(52) **U.S. Cl.** **D15/5**

FIG. 2 is a top view of my novel design;

(58) **Field of Search** D15/5-9; 417/360,
417/415, 375; 415/906, 909

FIG. 3 is a side view of my novel design;

FIG. 4 is an opposite side view of my novel design;

FIG. 5 is a rear view of my novel design;

FIG. 6 is a front view of my novel design; and,

FIG. 7 is a bottom view of my novel design.

(56) **References Cited**

U.S. PATENT DOCUMENTS

- D409,627 S * 5/1999 Wang D15/9
- D434,779 S * 12/2000 Agresta et al. D15/7
- D441,376 S * 5/2001 Gohil et al. D15/7

1 Claim, 4 Drawing Sheets

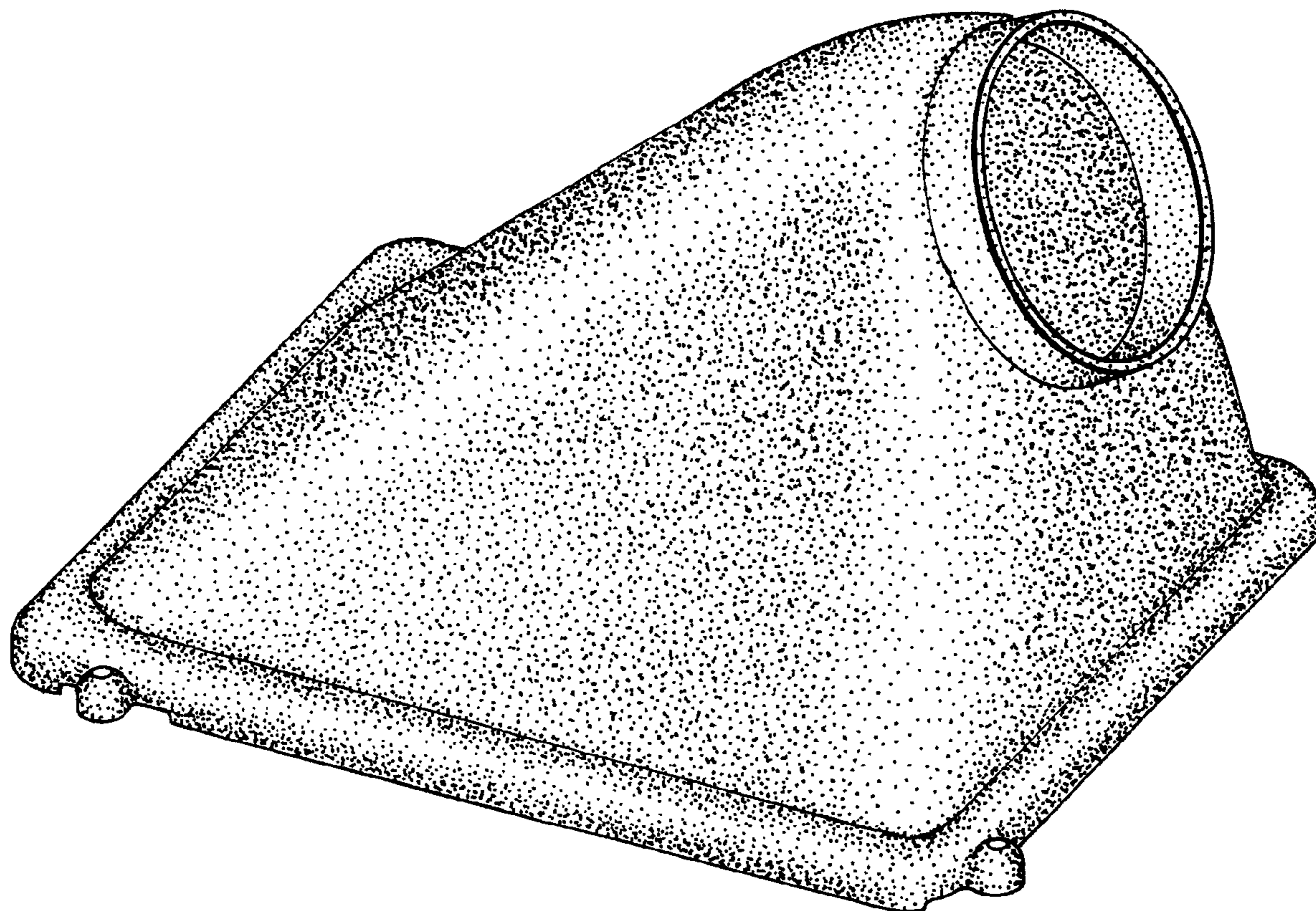


FIG. 1

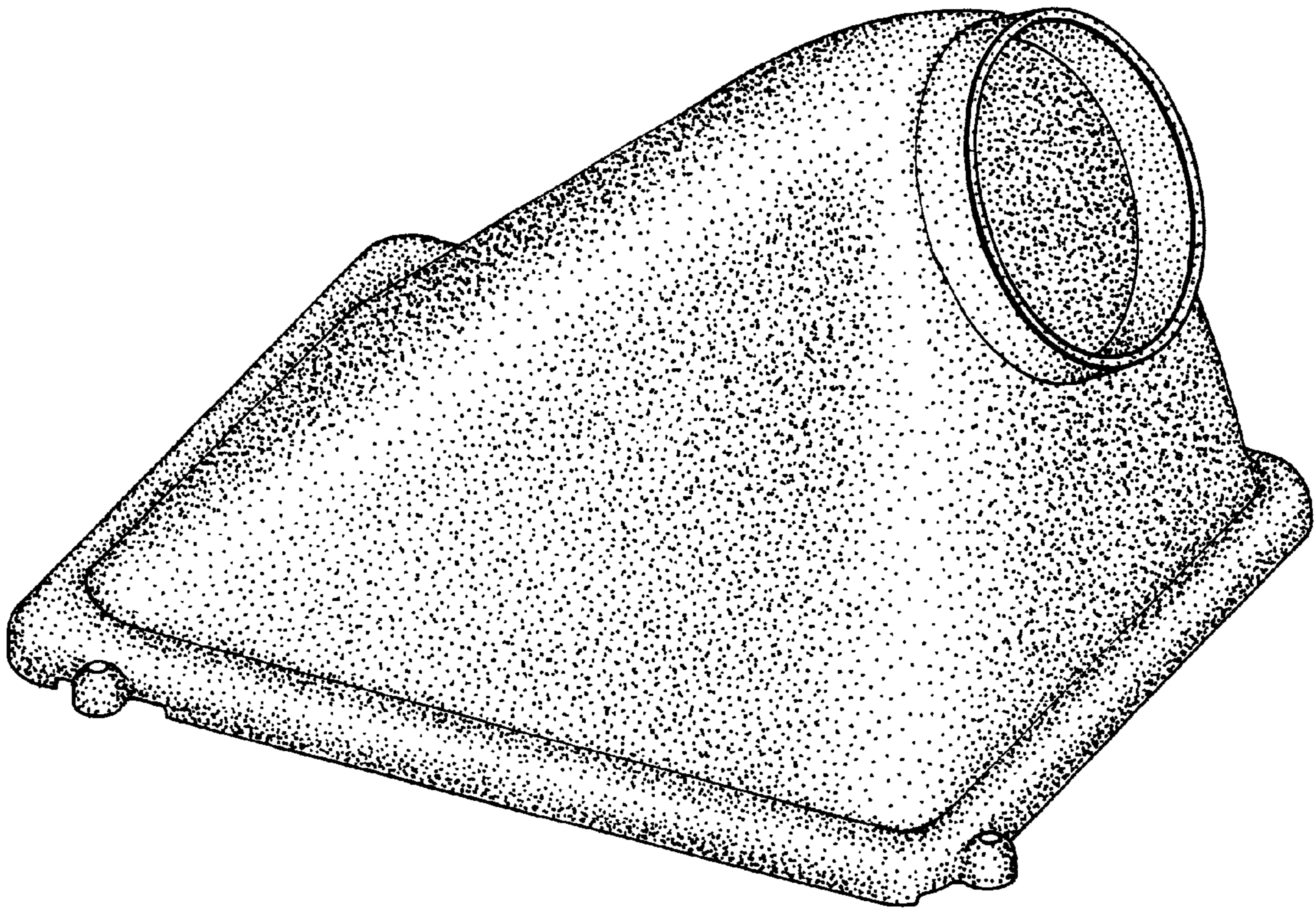


FIG. 2

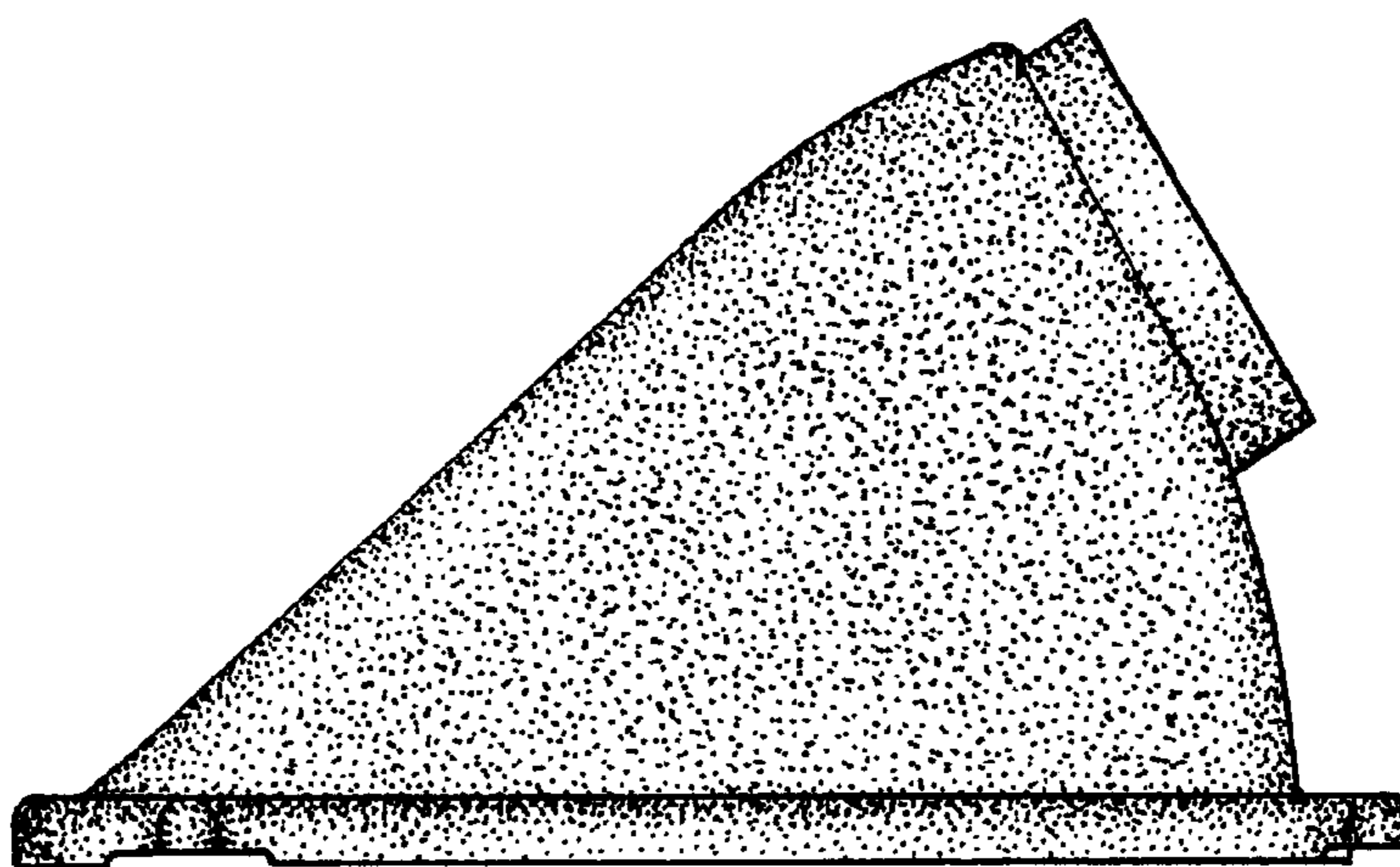
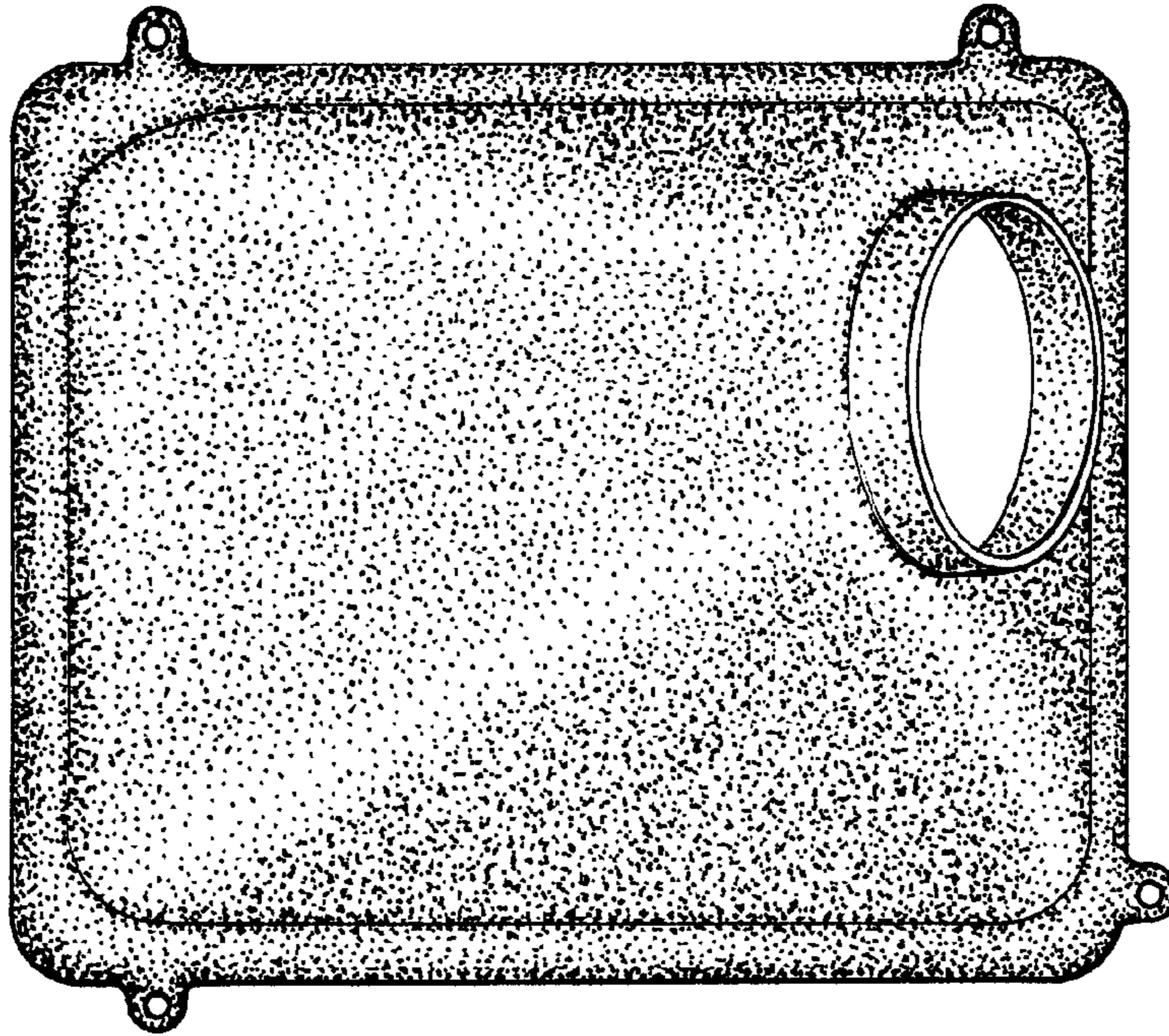


FIG. 3

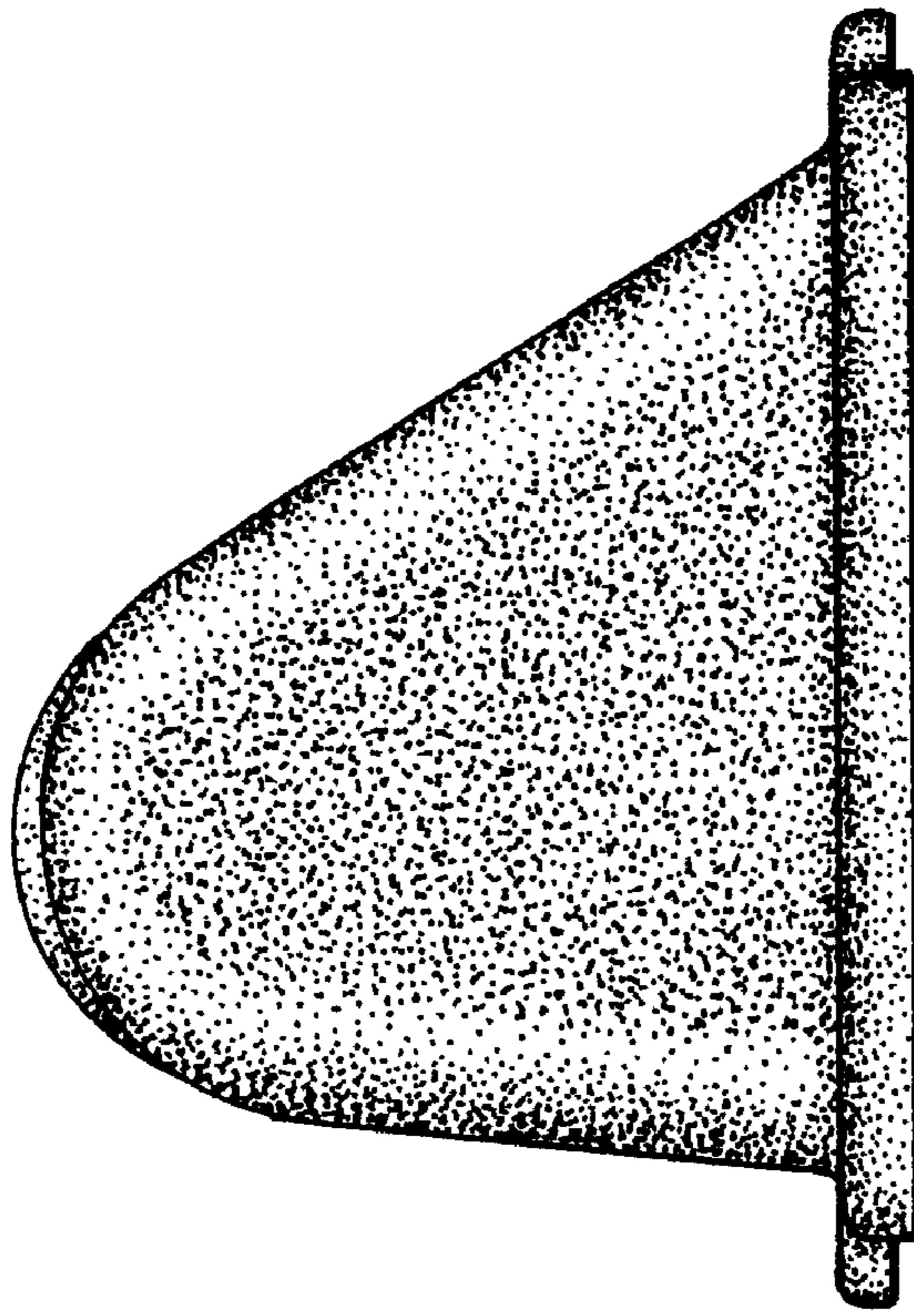


FIG. 5

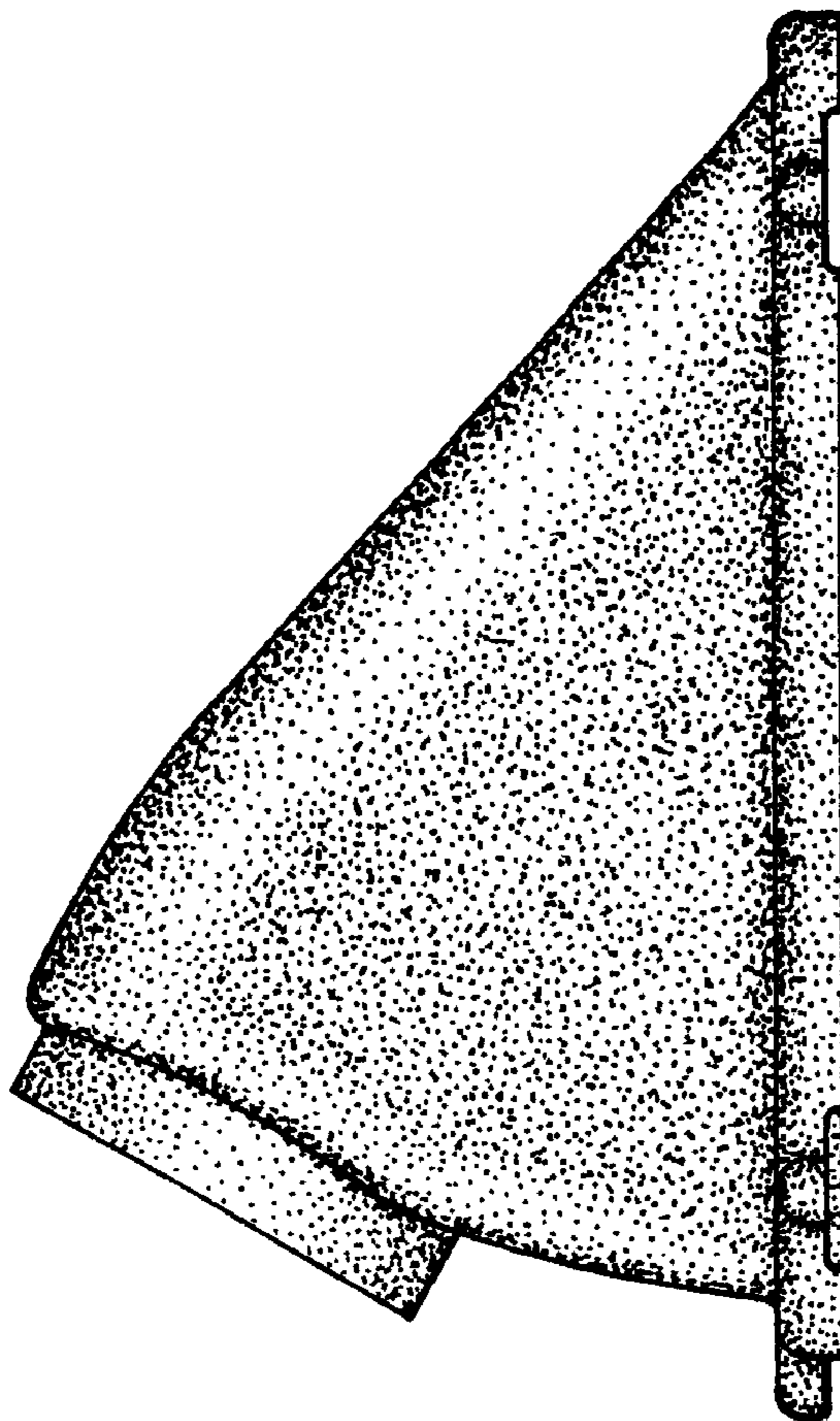


FIG. 4

FIG. 6

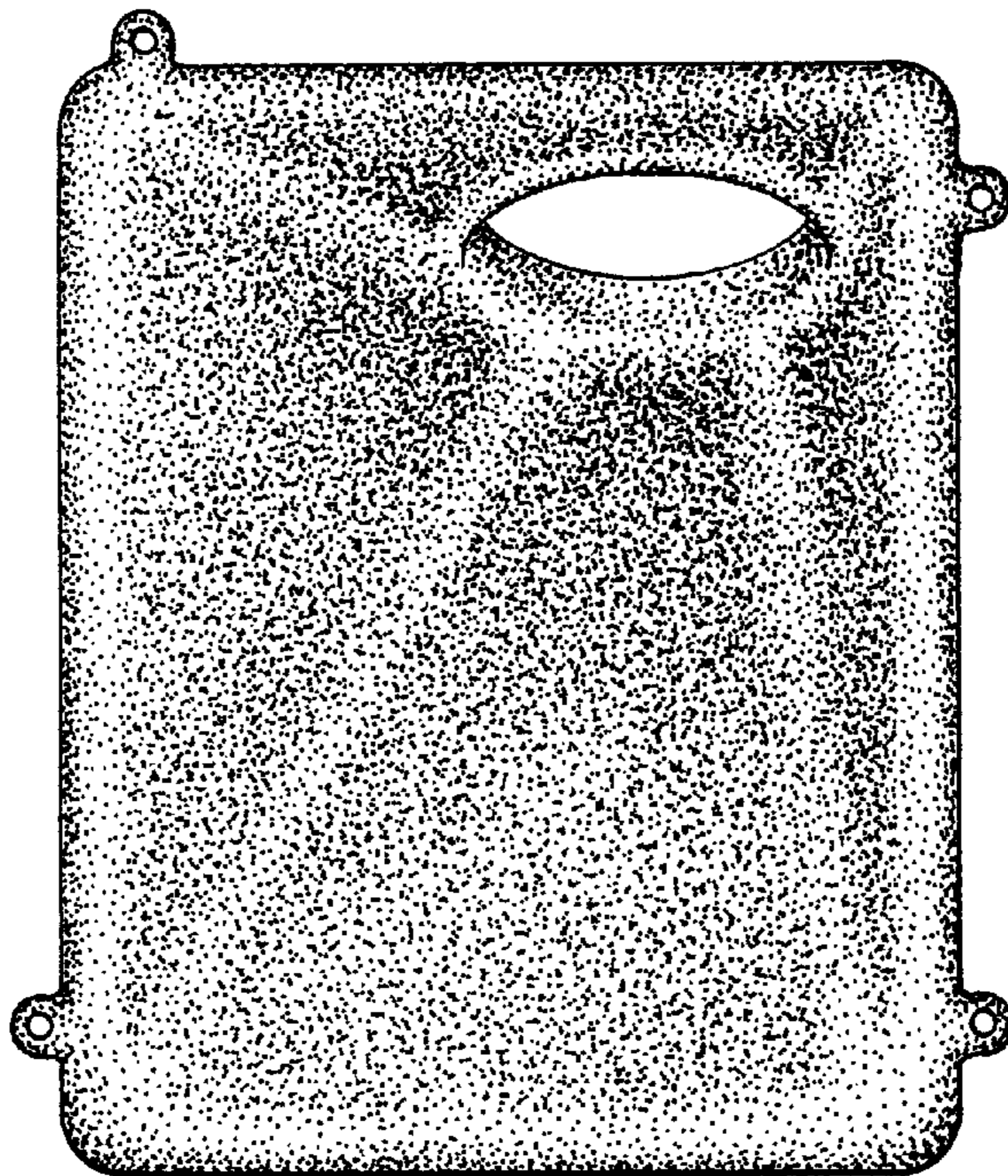
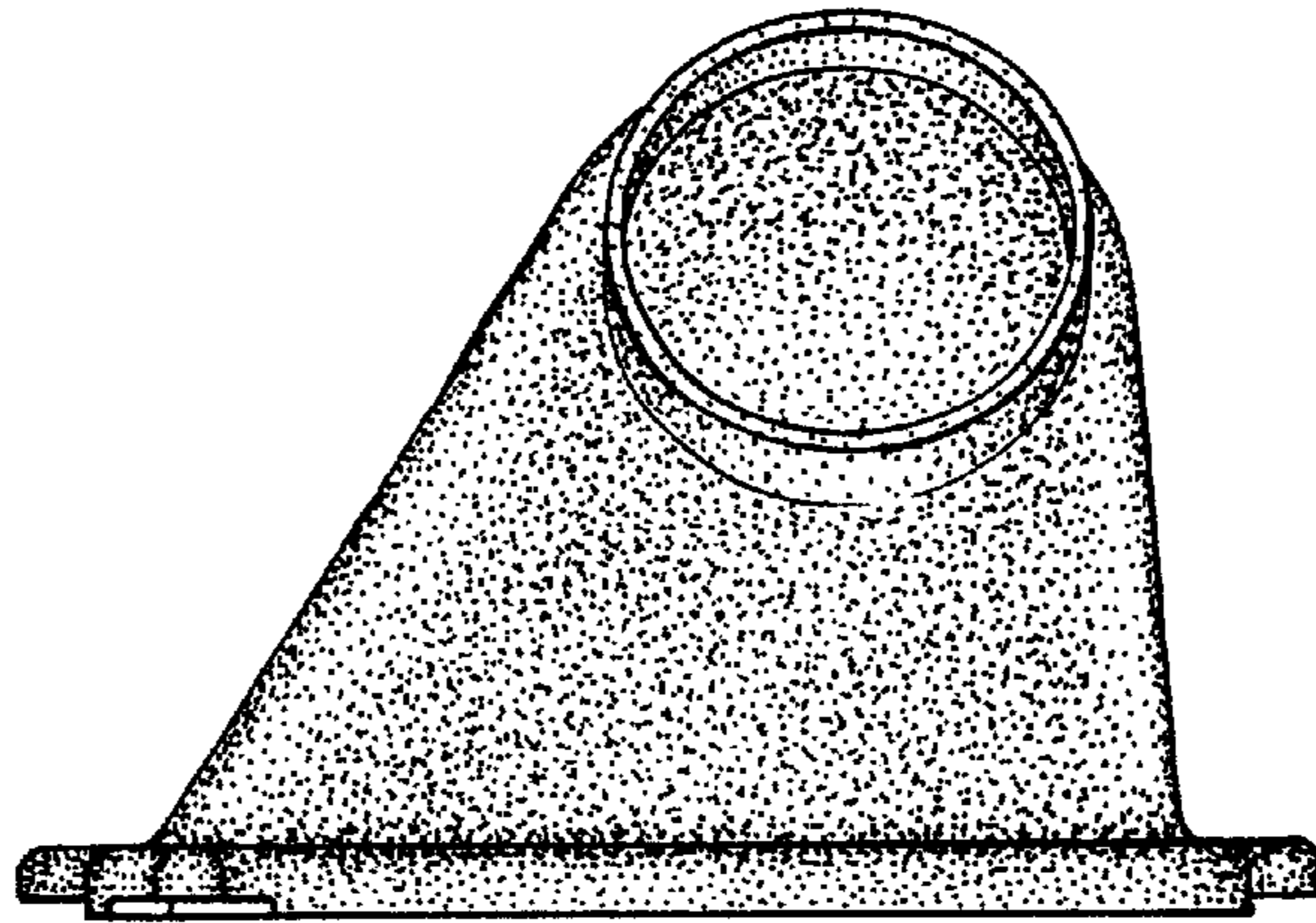


FIG. 7