



US00D472242S

(12) **United States Design Patent**
Tomino

(10) **Patent No.:** **US D472,242 S**

(45) **Date of Patent:** **** Mar. 25, 2003**

(54) **MEDIA CONVERTER**

(76) **Inventor:** **Hiroyuki Tomino**, c/o Allied Telesis
Kabushiki Kaisha TOC Bldg. 22-17,
Nishi-Gotanda 7-chome, Shinagawa-ku,
Tokyo (JP), 141-8635

(**) **Term:** **14 Years**

(21) **Appl. No.:** **29/166,113**

(22) **Filed:** **Aug. 22, 2002**

(30) **Foreign Application Priority Data**

Mar. 28, 2002 (JP) 2002-008234

(51) **LOC (7) Cl.** **14-02**

(52) **U.S. Cl.** **D14/433; D14/240; D13/133**

(58) **Field of Search** D14/432, 433,
D14/435-439, 240; 360/69; D13/133

(56) **References Cited**

U.S. PATENT DOCUMENTS

D267,008 S * 11/1982 Hutcheson D14/240

D325,573 S * 4/1992 Glegg et al. D14/435

D398,913 S * 9/1998 Tseng D14/435
D449,835 S * 10/2001 Ohtani D14/436
D463,416 S * 9/2002 Tomino et al. D14/240
2002/0159182 A1 * 10/2002 Albrecht et al. 360/69

* cited by examiner

Primary Examiner—Kay H. Chin

(74) *Attorney, Agent, or Firm*—Dechert; Daniel S. Goldberg

(57) **CLAIM**

The ornamental design for a media converter, as shown.

DESCRIPTION

FIG. 1 is a perspective view thereof;
FIG. 2 is a front elevation view thereof;
FIG. 3 is a back elevation view thereof;
FIG. 4 is a top plan view thereof;
FIG. 5 is a bottom plan view thereof;
FIG. 6 is a right side view thereof; and,
FIG. 7 is a left side view thereof.
Although the drawings define the front and rear views, a user may alternatively face the rear surface to the front.

1 Claim, 5 Drawing Sheets

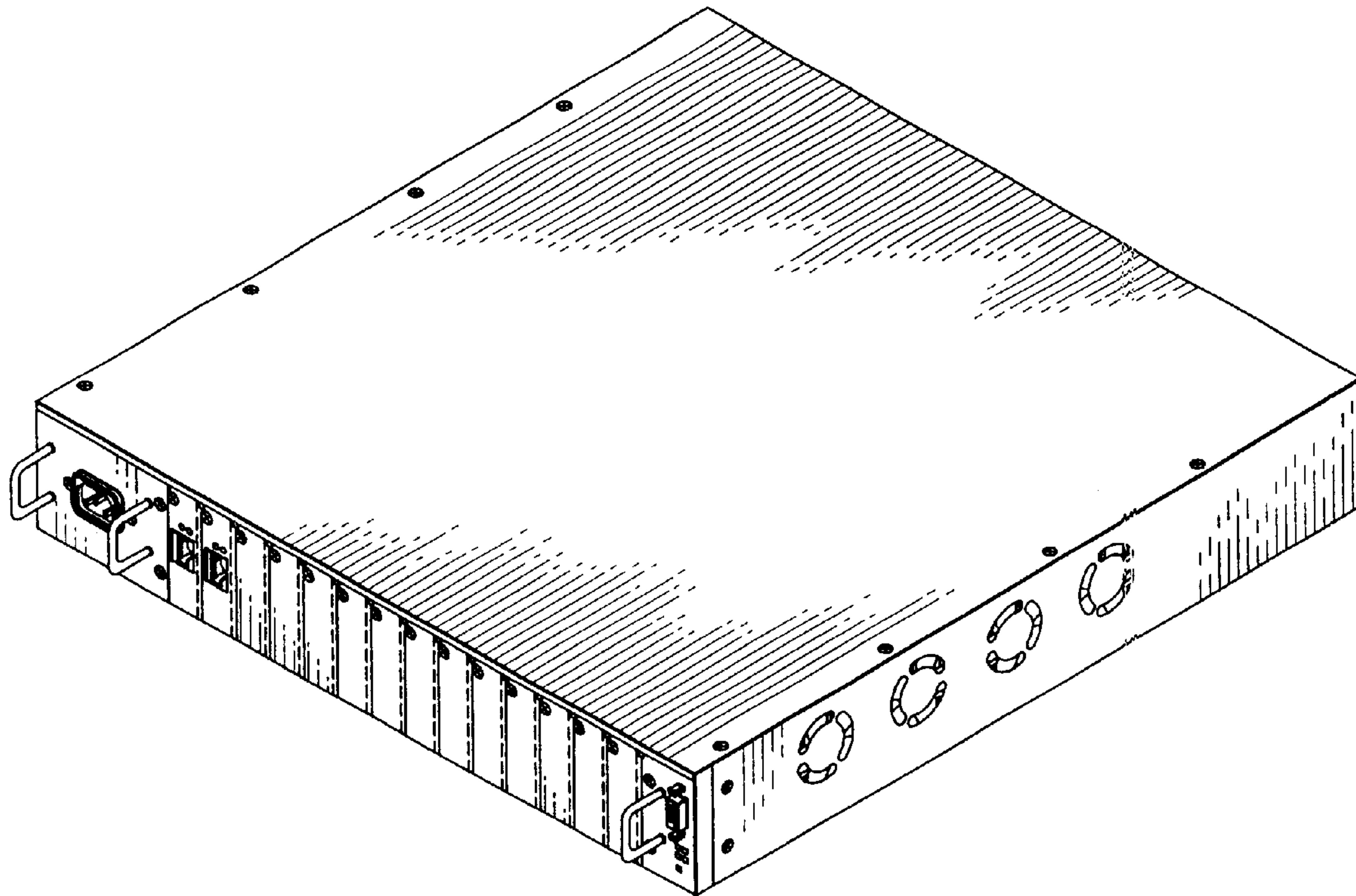


FIG. 1

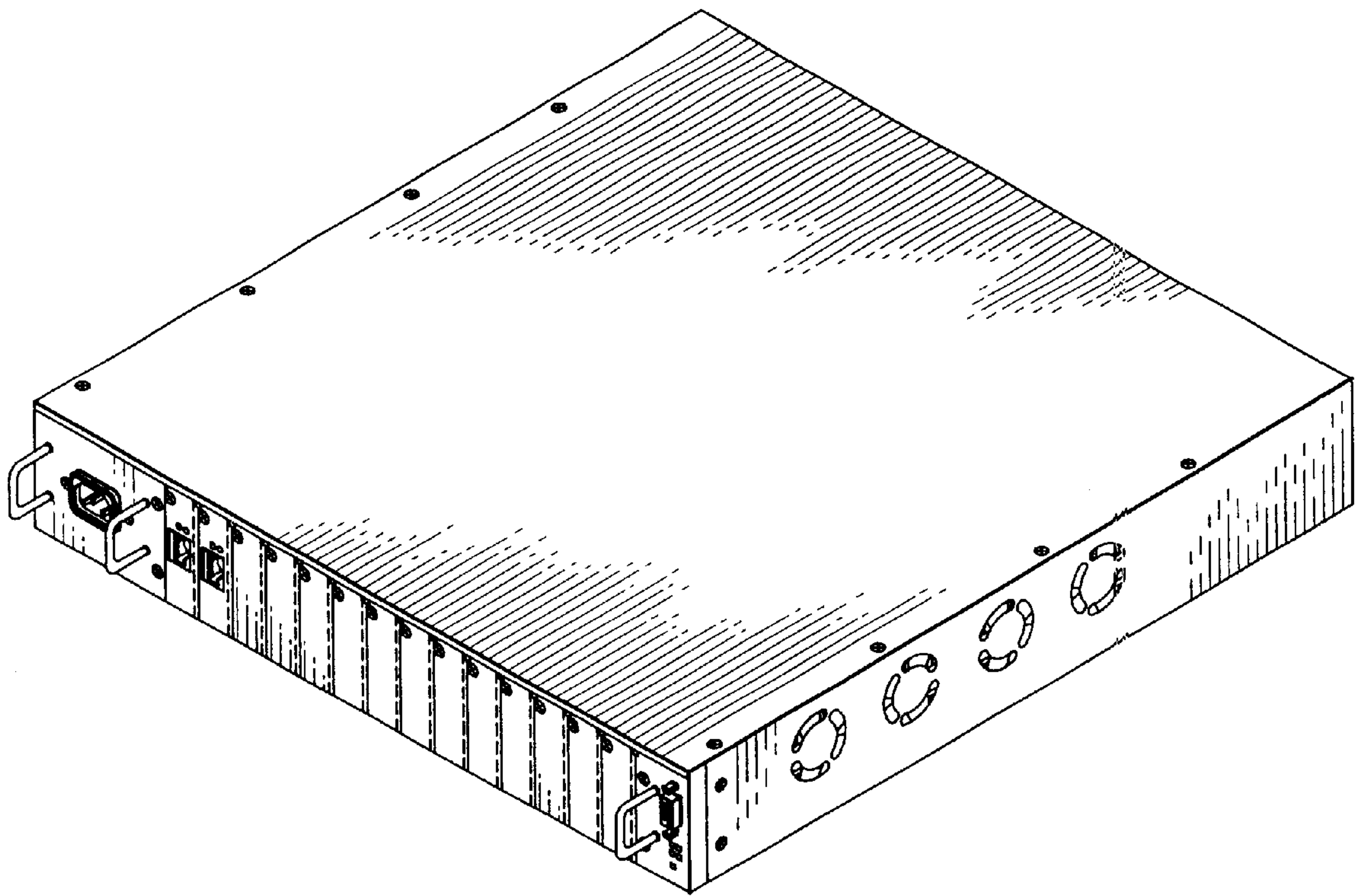


FIG. 2

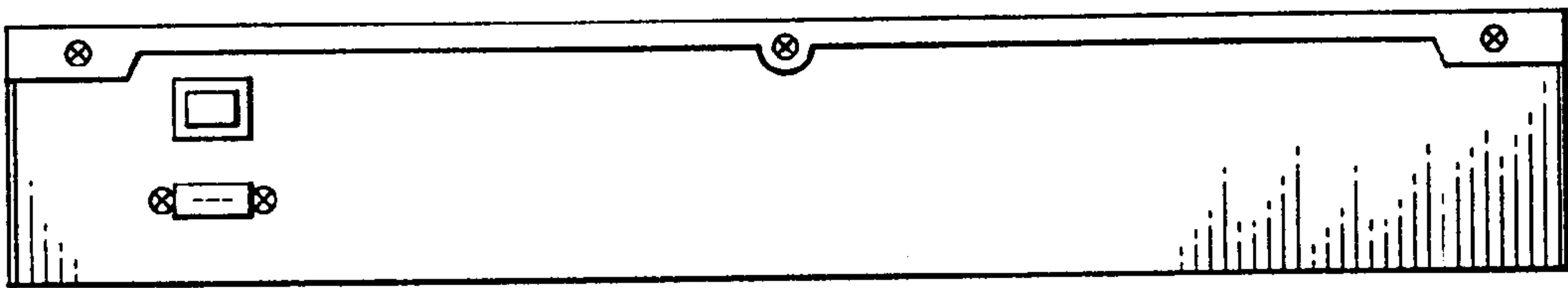


FIG. 3

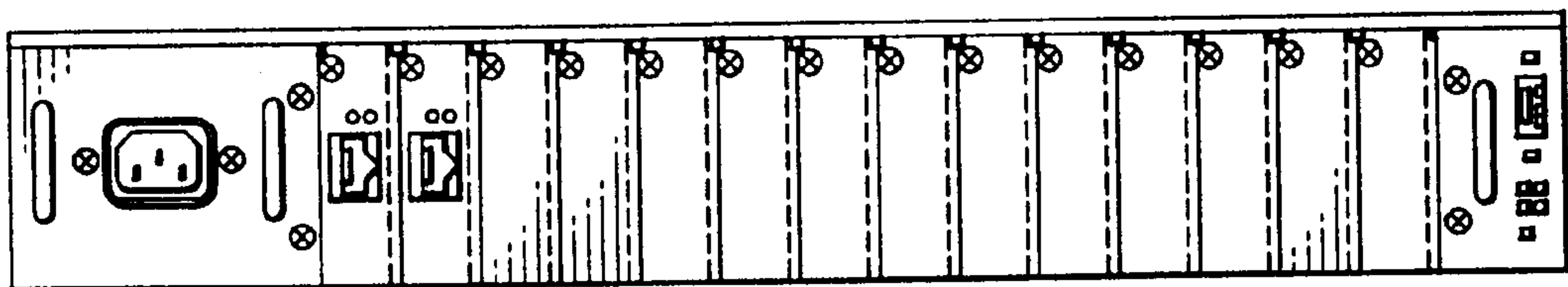


FIG. 4

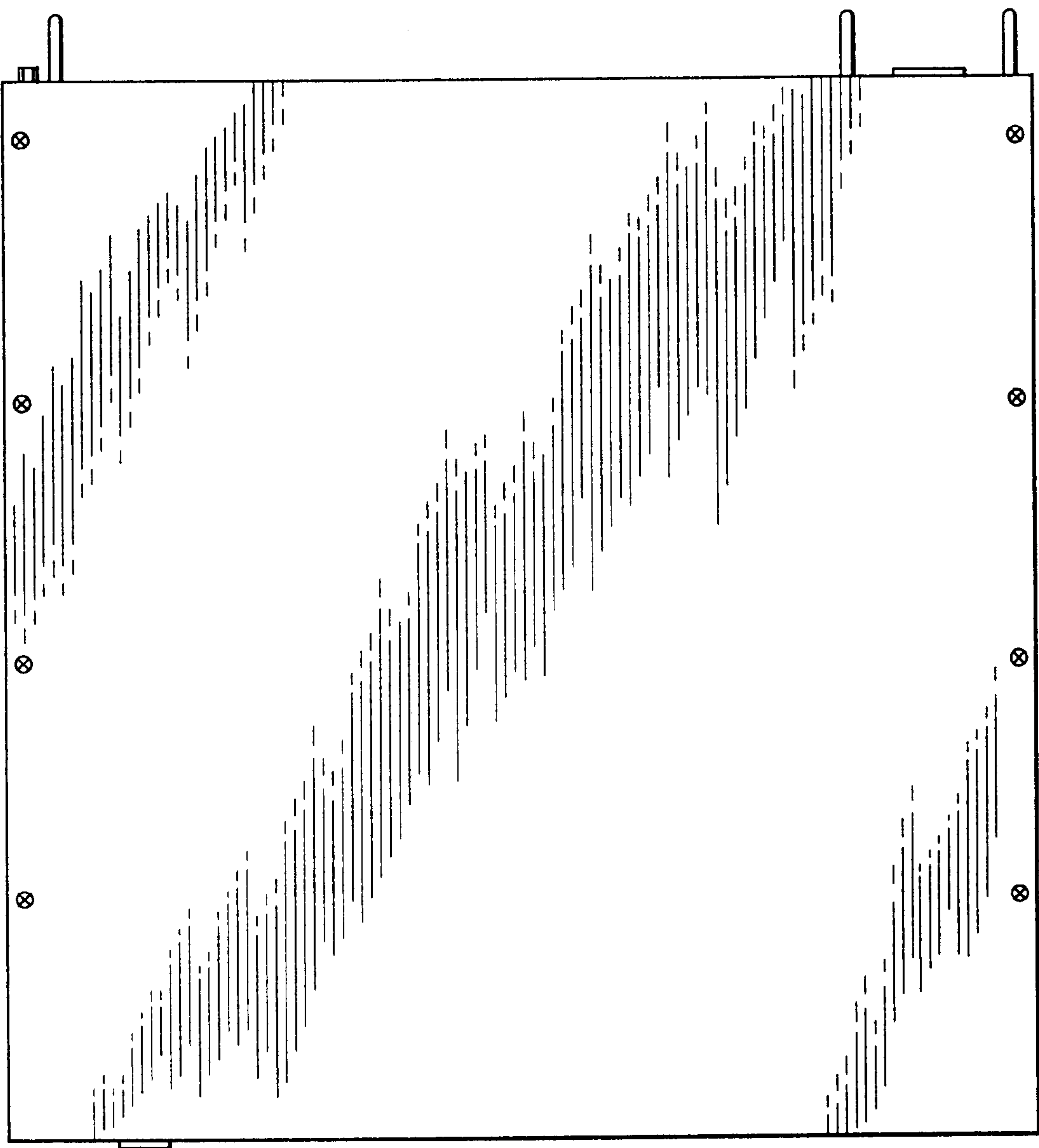


FIG. 5

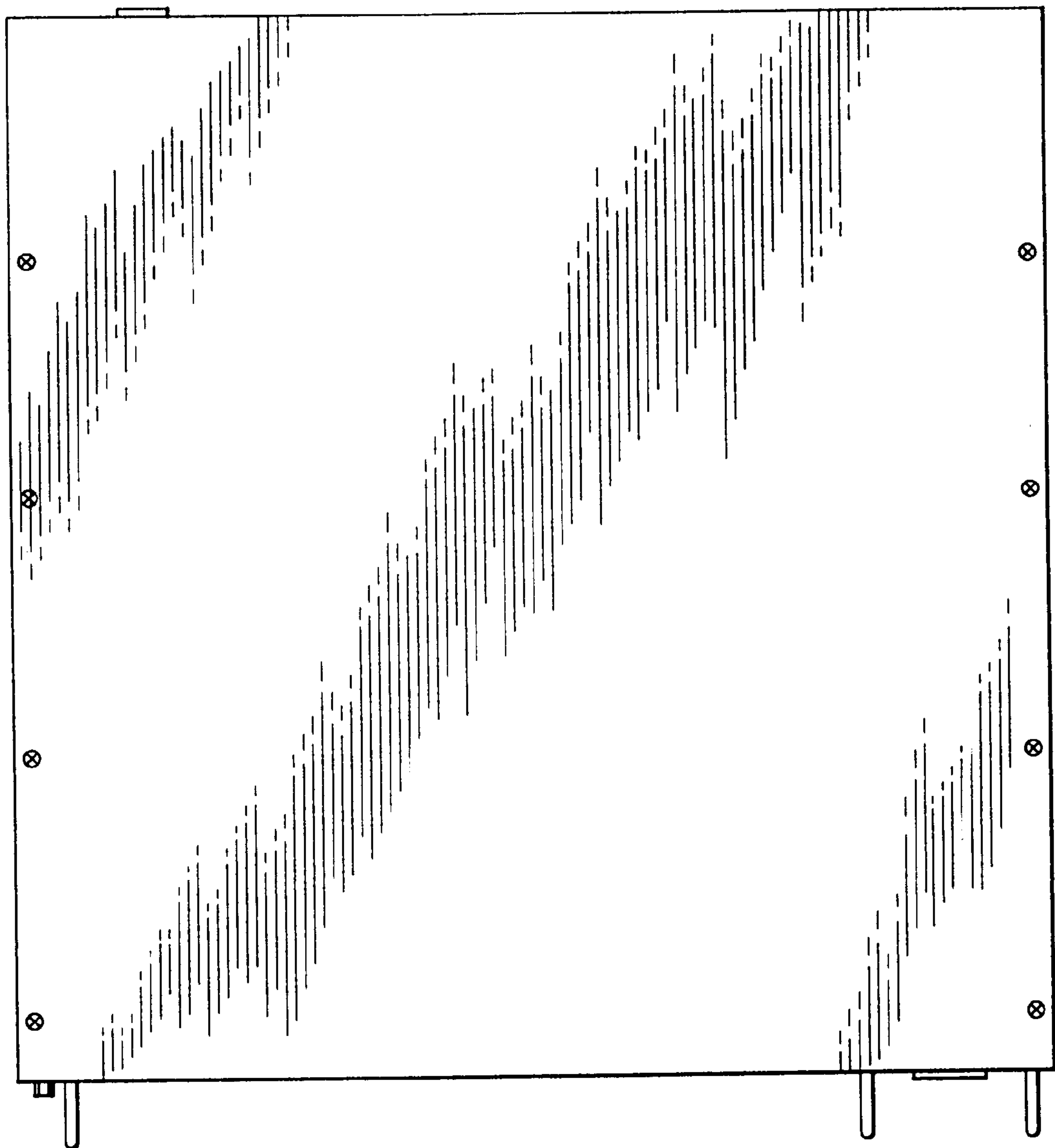


FIG. 6

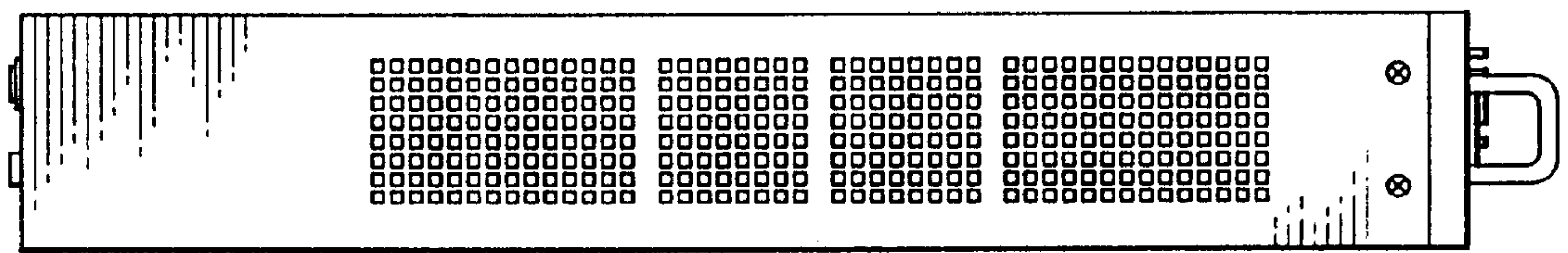
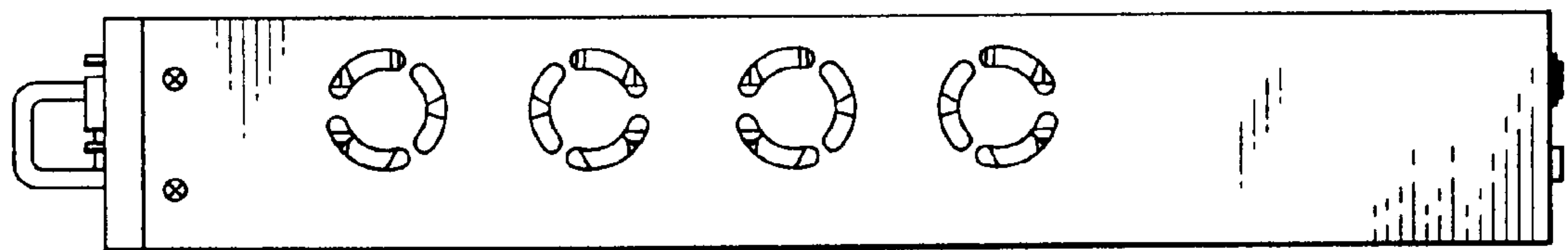


FIG. 7



UNITED STATES PATENT AND TRADEMARK OFFICE
CERTIFICATE OF CORRECTION

PATENT NO. : Des. 472,242 S
DATED : March 25, 2003
INVENTOR(S) : Hiroyuki Tomino

Page 1 of 1

It is certified that error appears in the above-identified patent and that said Letters Patent is hereby corrected as shown below:

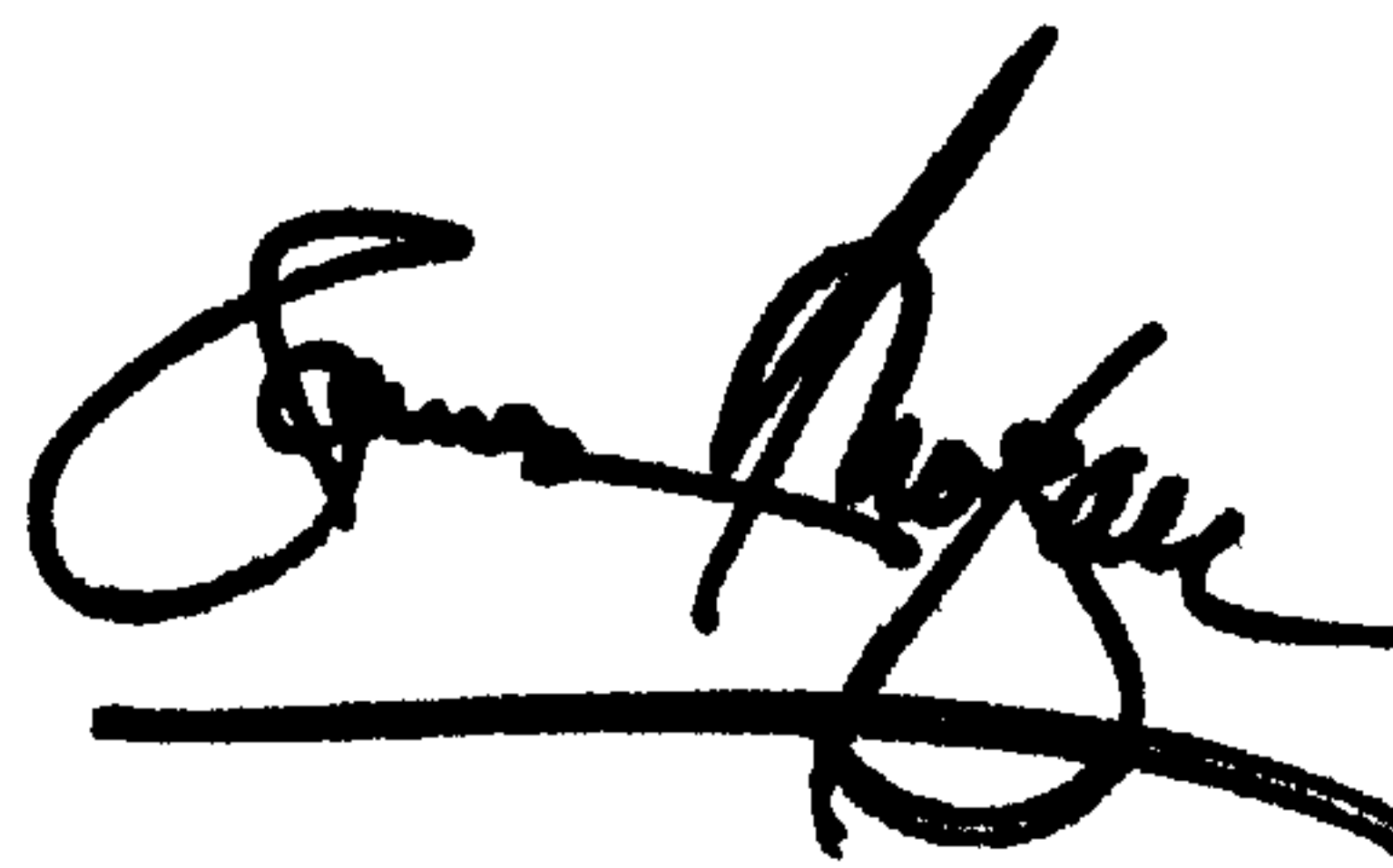
Title page,

Item [73], please add the following:

-- [73] Assignee: **Allied Telesis Kabushiki Kaisha**
Tokyo (Japan) --

Signed and Sealed this

Fourteenth Day of October, 2003

A handwritten signature in black ink, appearing to read "James E. Rogan", written over a horizontal line.

JAMES E. ROGAN
Director of the United States Patent and Trademark Office