



US00D472239S

(12) **United States Design Patent**
Moorer, Jr.

(10) **Patent No.:** **US D472,239 S**

(45) **Date of Patent:** **** Mar. 25, 2003**

(54) **MOUSE-TYPE INPUT DEVICE**

D455,150 S * 4/2002 Grabowski D14/403

(76) **Inventor:** **Taylor Jefferson Moorer, Jr.**, 1501
Poplar Ave., Breunton, AL (US) 36426

* cited by examiner

(**) **Term:** **14 Years**

Primary Examiner—Kay H. Chin
(74) *Attorney, Agent, or Firm*—Thomas, Kayden,
Horstemeyer & Risley, LLP

(21) **Appl. No.:** **29/168,591**

(57) **CLAIM**

(22) **Filed:** **Oct. 4, 2002**

The ornamental design of a mouse-type input device, as shown and described.

(51) **LOC (7) Cl.** **14-02**

(52) **U.S. Cl.** **D14/403**

(58) **Field of Search** D14/402-410,
D14/417; 345/156-167; 200/5 R, 5 A, 6 R,
6 A; 273/148 B; 74/471 XY; 463/36, 37,
38

DESCRIPTION

(56) **References Cited**

U.S. PATENT DOCUMENTS

- D369,154 S * 4/1996 Powell D14/403
- D386,161 S * 11/1997 Young D14/403
- D428,416 S * 7/2000 Smith et al. D14/403
- D430,567 S * 9/2000 Diee D14/403
- D441,750 S * 5/2001 Higa et al. D14/403

FIG. 1 is a perspective view showing my new mouse type input device;
FIG. 2 is a front view thereof;
FIG. 3 is a back view thereof; and
FIG. 4 is a left side view thereof, the right side view thereof being a mirror image of that which is shown;
FIG. 5 is a top side view thereof; and,
FIG. 6 is a bottom view thereof.

The broken lines are for illustrative purposes only and from no part of the claimed design.

1 Claim, 5 Drawing Sheets

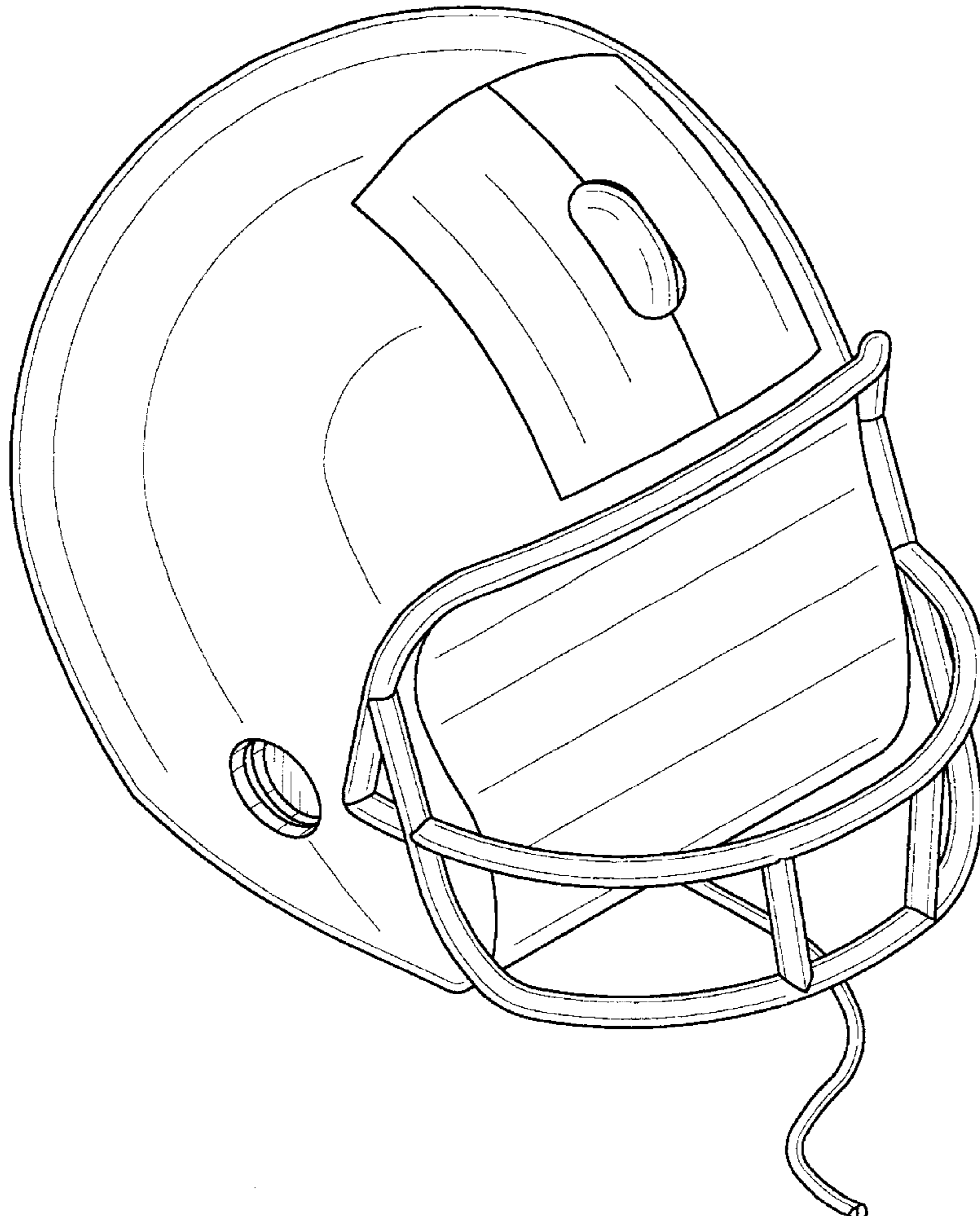


FIG. 1

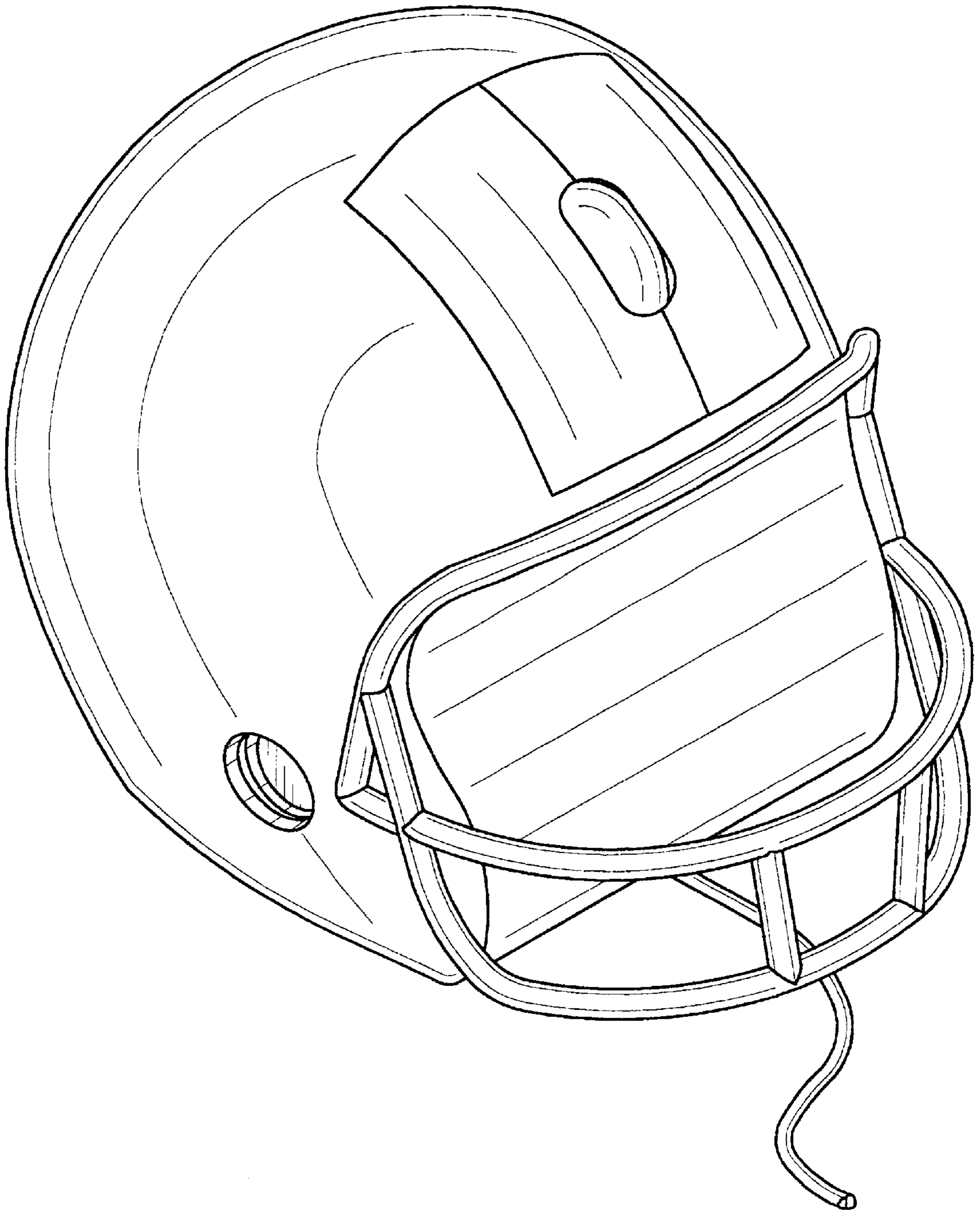


FIG.3

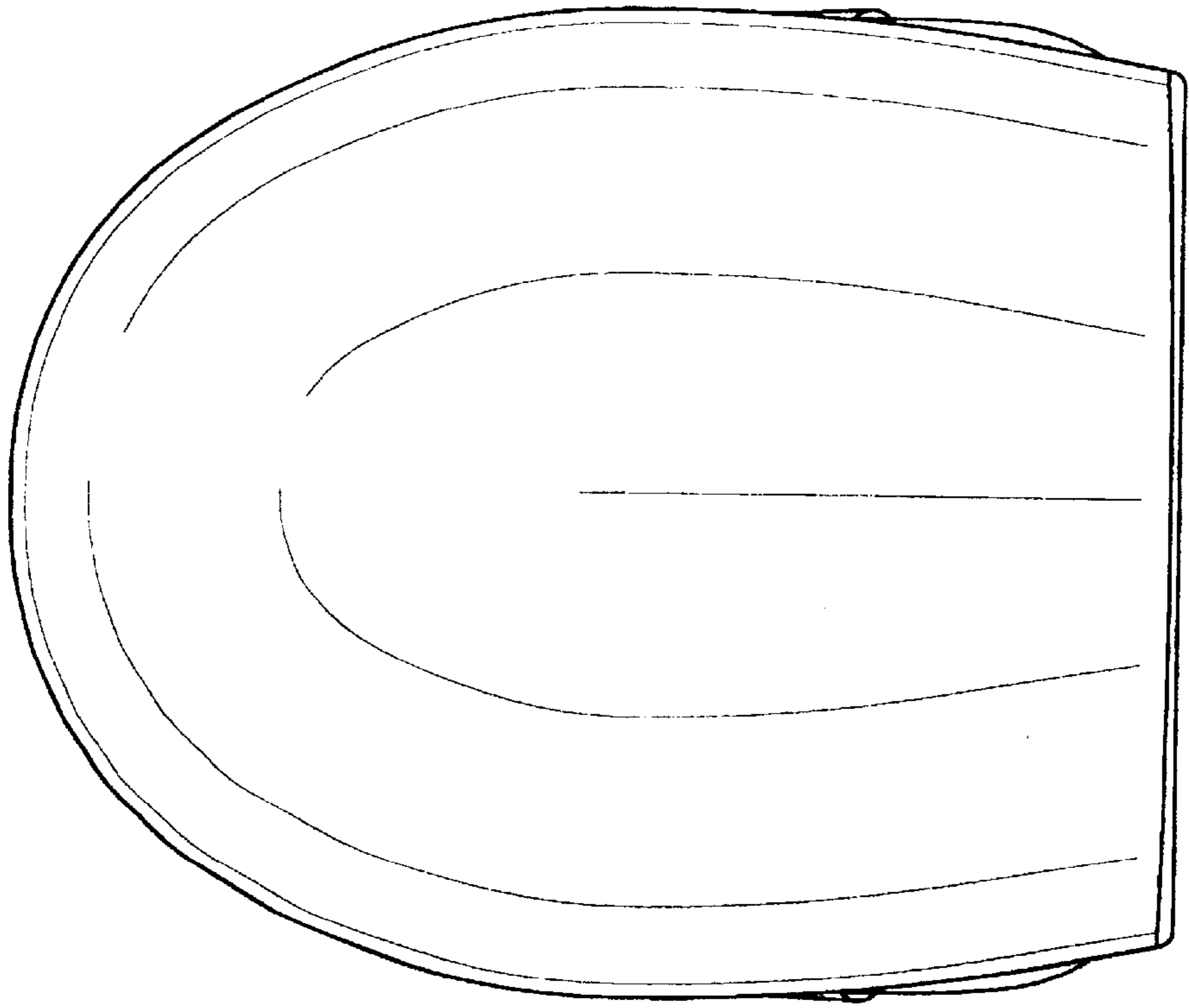
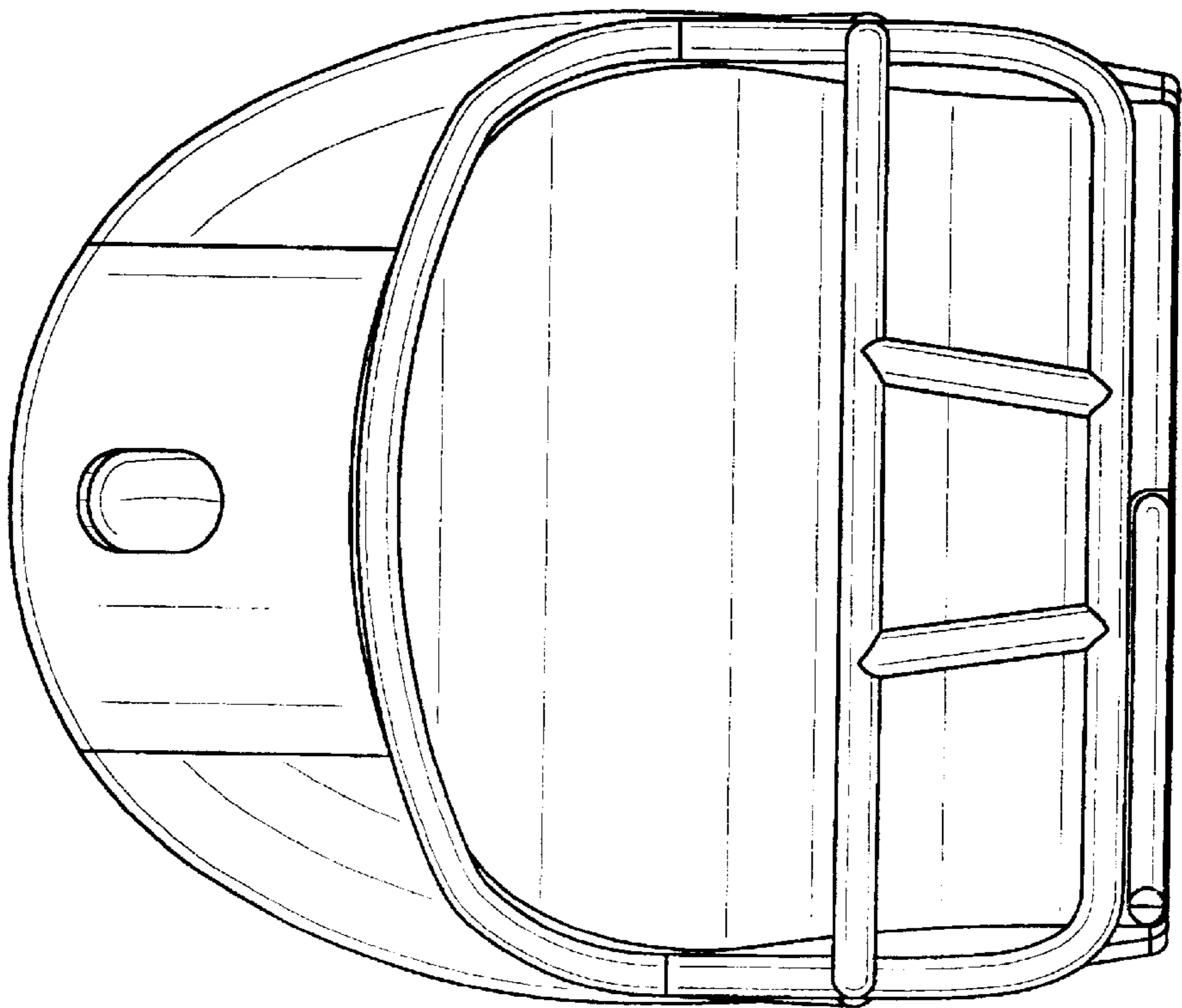


FIG.2



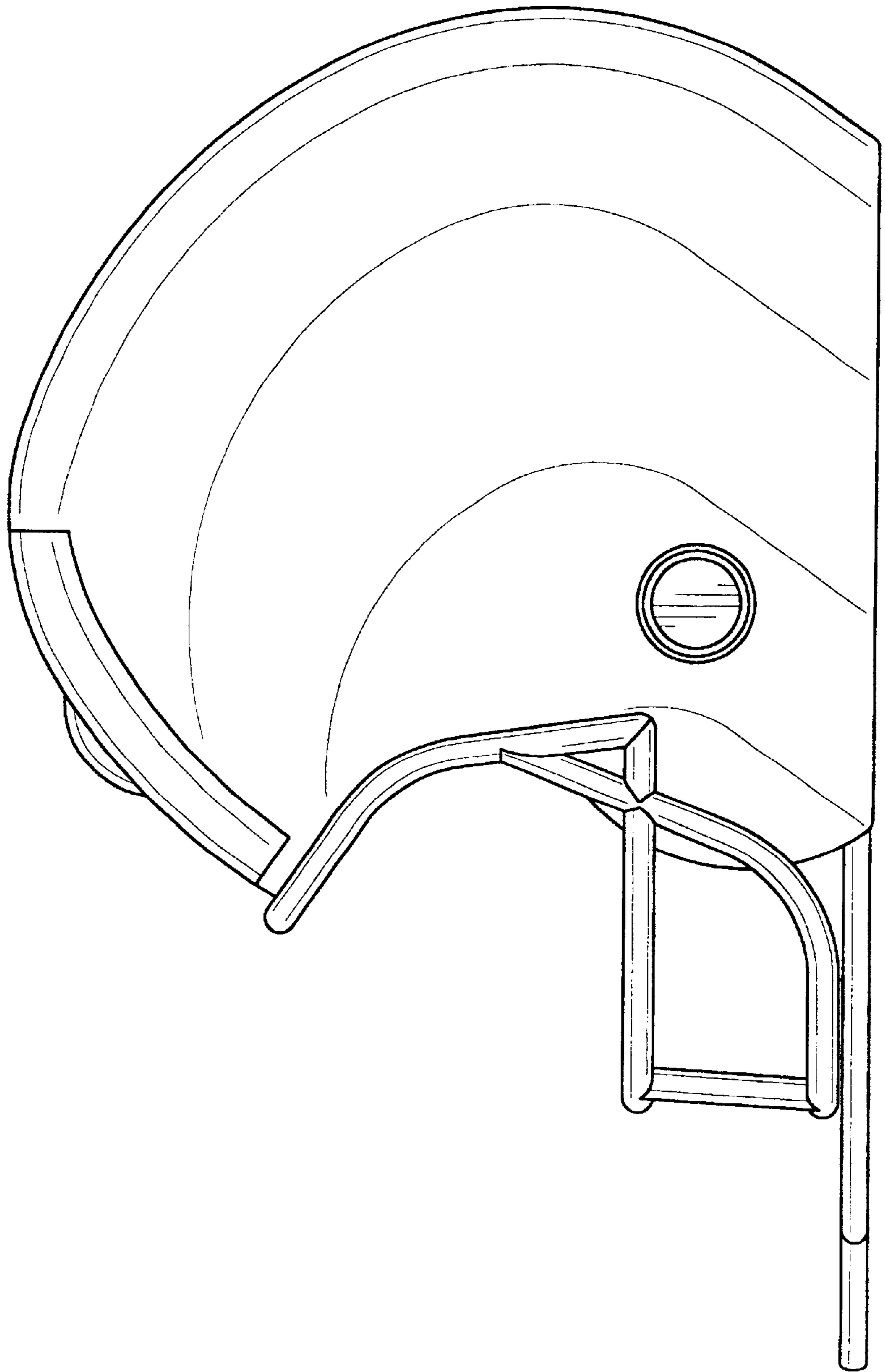


FIG.4

FIG. 5

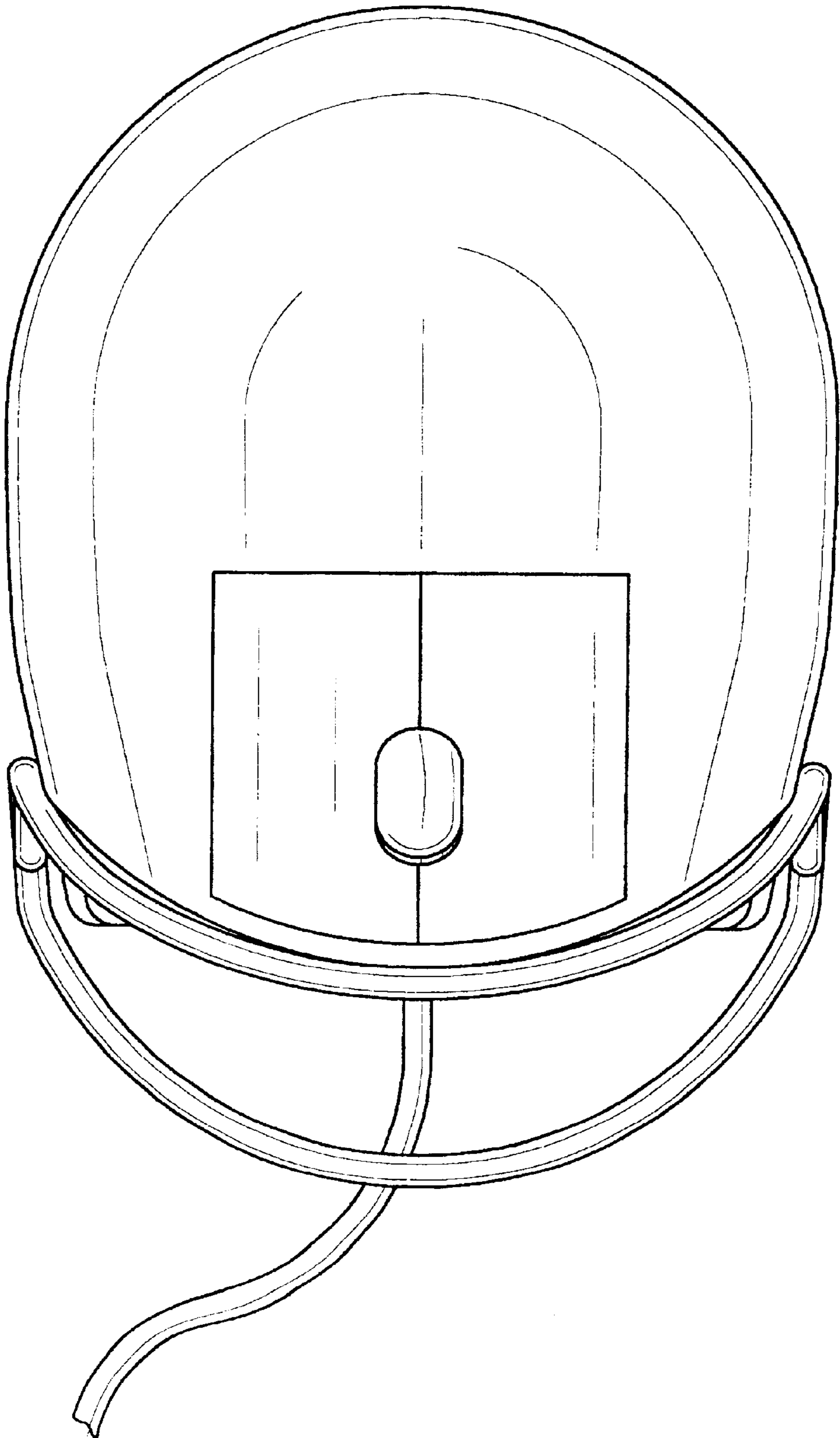


FIG. 6

