



US00D472232S

(12) **United States Design Patent**
Stompler et al.

(10) **Patent No.:** **US D472,232 S**

(45) **Date of Patent:** **** Mar. 25, 2003**

(54) **LOUDSPEAKER BASKET DESIGN**

(75) Inventors: **Thilo Christian Stompler**, La Jolla, CA (US); **Cory Allen Jackson**, FallBrook, CA (US)

(73) Assignee: **T C Sounds Inc.**, San Diego, CA (US)

(**) Term: **14 Years**

(21) Appl. No.: **29/143,905**

(22) Filed: **Jun. 22, 2001**

(51) **LOC (7) Cl.** **14-01**

(52) **U.S. Cl.** **D14/224**

(58) **Field of Search** D14/204, 257, D14/201-216, 221-222, 224; 181/144-145, 147-148, 150-155, 157, 198-199; 381/300-302, 306, 332-336, 386, 430-433

(56) **References Cited**

U.S. PATENT DOCUMENTS

D270,533 S * 9/1983 Piercy D14/224

D282,065 S * 1/1986 Piercy D14/224
D318,671 S * 7/1991 Naumann D14/221 X
5,073,948 A * 12/1991 Vandersteen 381/433

* cited by examiner

Primary Examiner—Nanda Bondade

(74) *Attorney, Agent, or Firm*—Michael W. Landry

(57) **CLAIM**

The ornamental design for a loudspeaker basket design, as shown and described.

DESCRIPTION

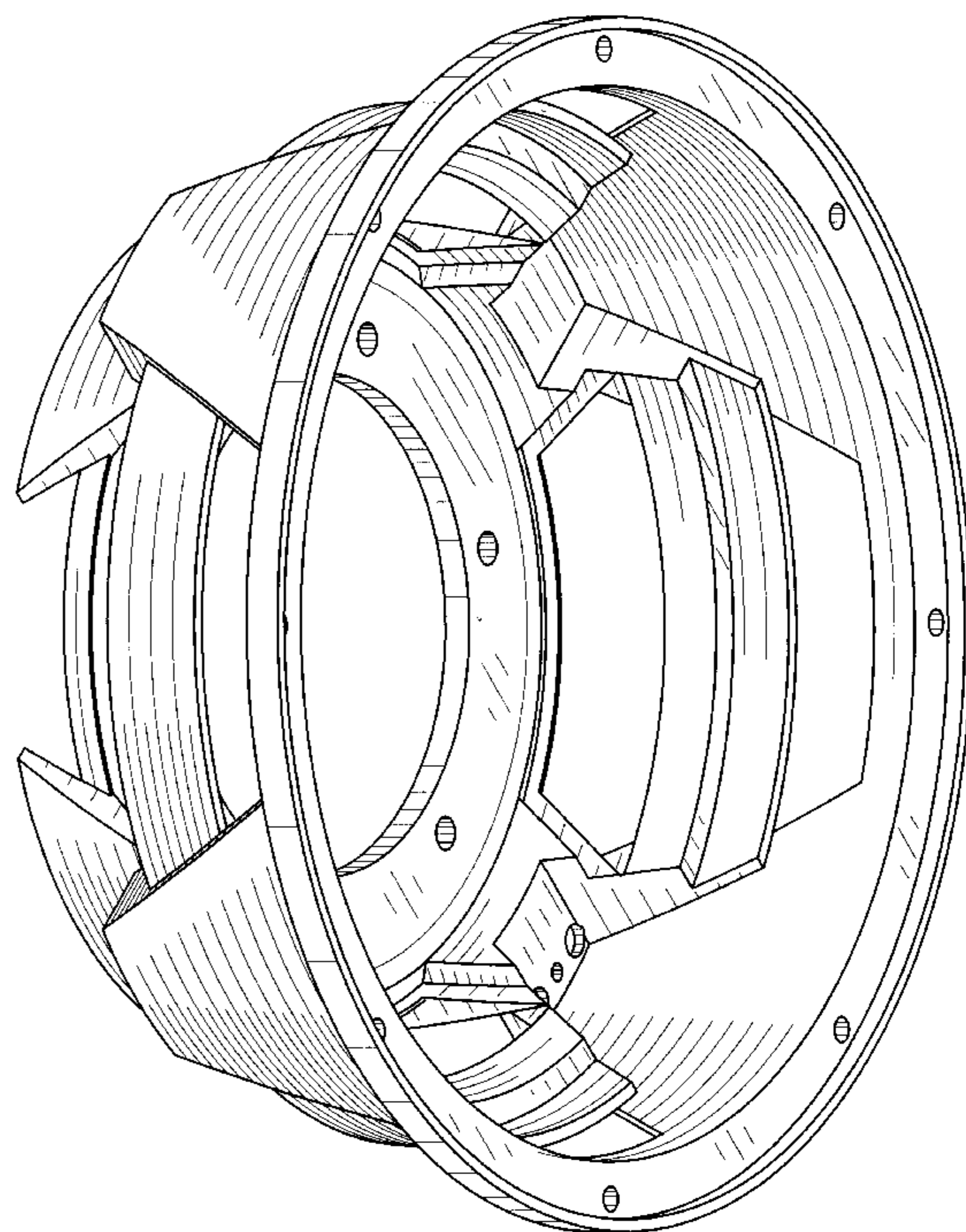
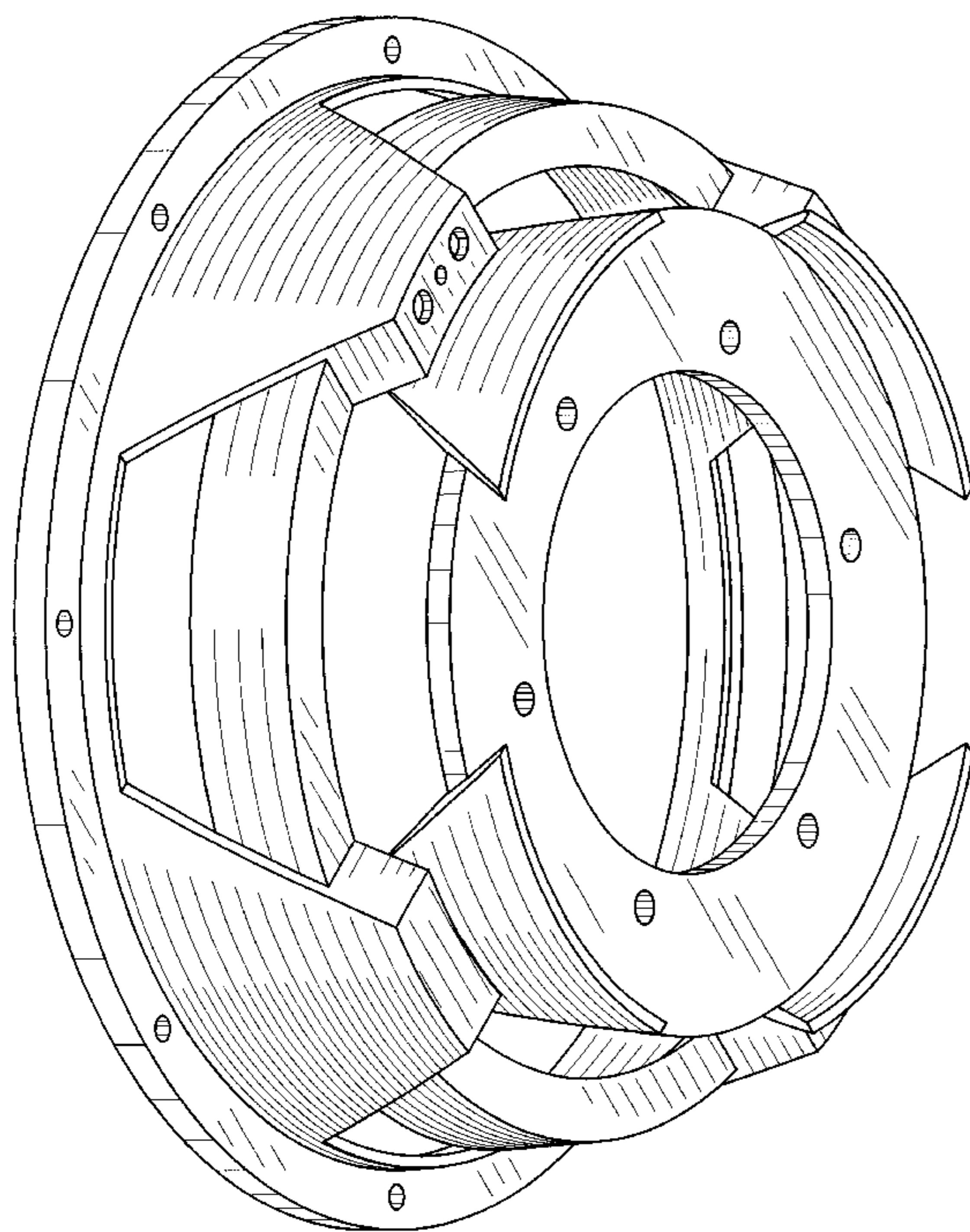
FIG. 1 is a top perspective view of a loudspeaker basket design;

FIG. 2 is a bottom perspective view thereof;

FIG. 3 is a top perspective view of an alternative embodiment of the loudspeaker basket design shown in FIGS. 1 and 2; and,

FIG. 4 is a bottom perspective view thereof.

1 Claim, 4 Drawing Sheets



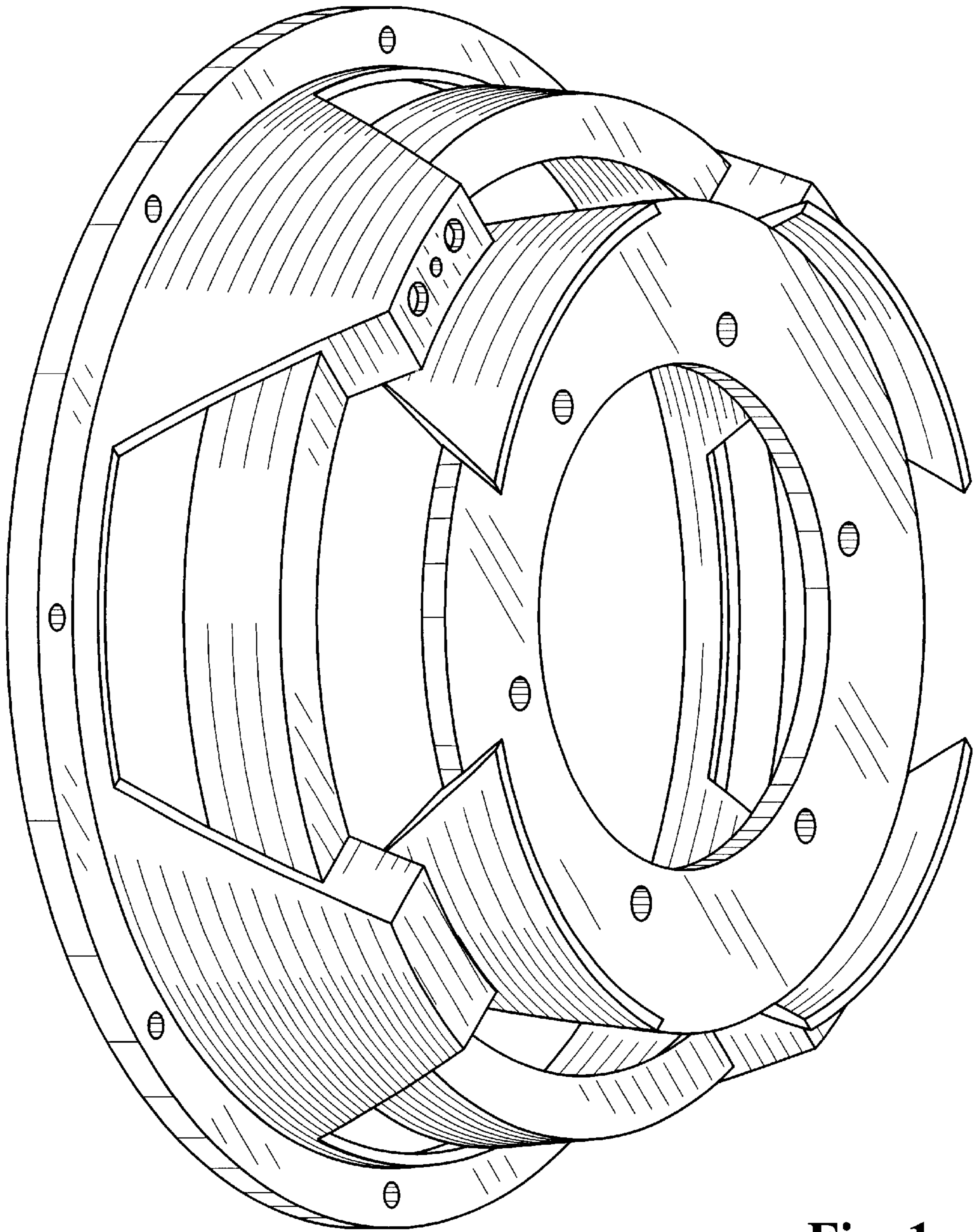


Fig. 1

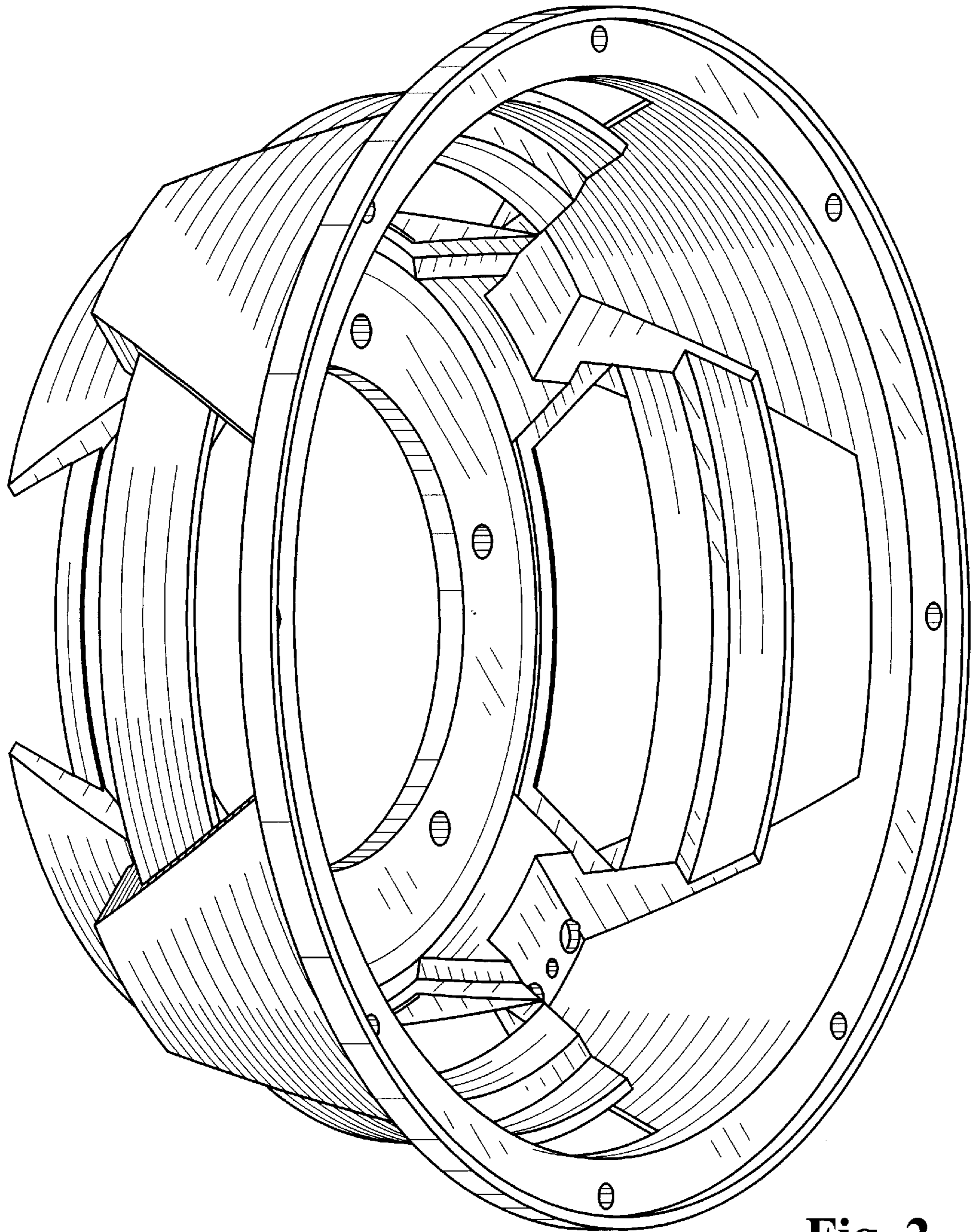


Fig. 2

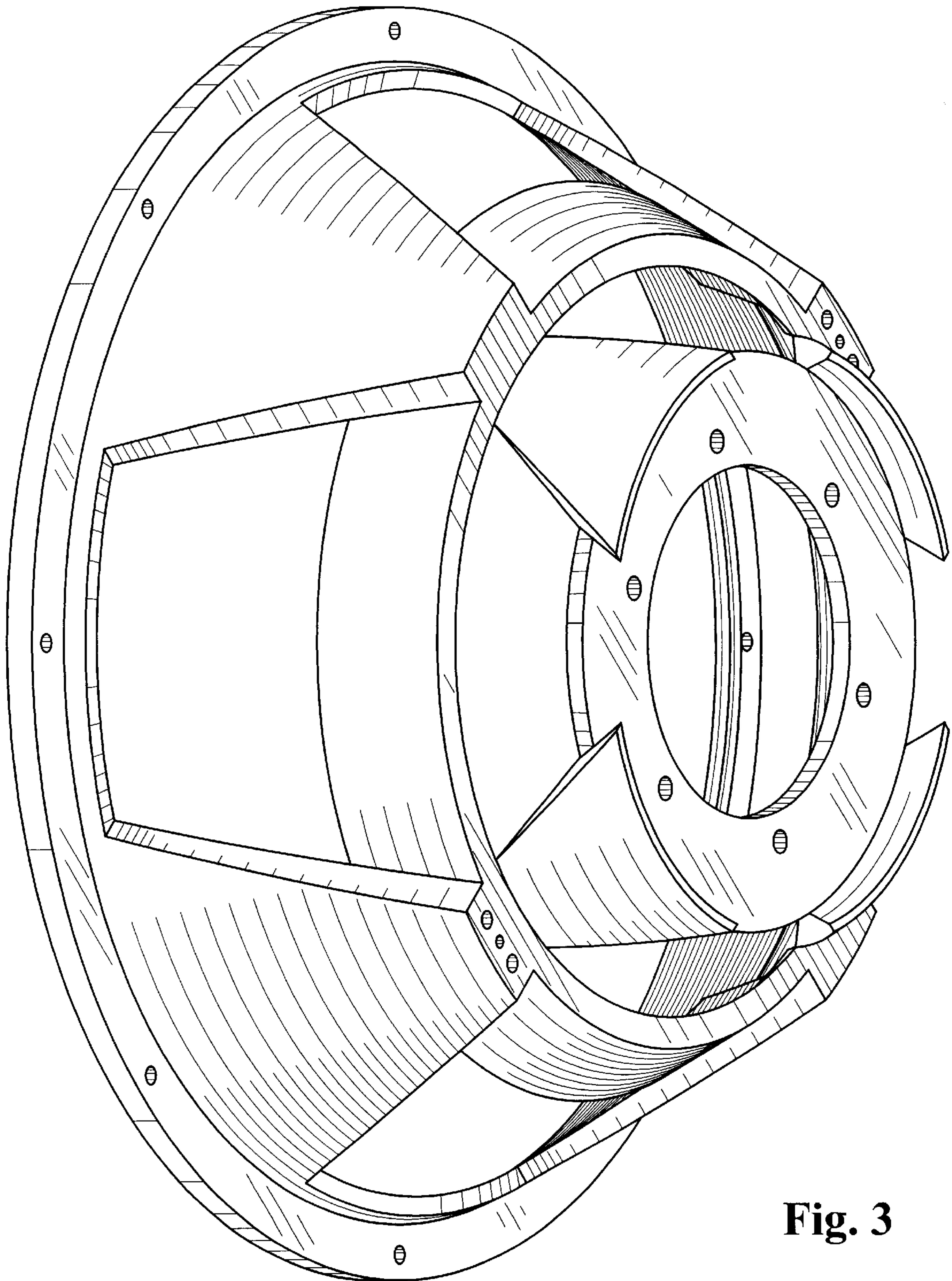


Fig. 3

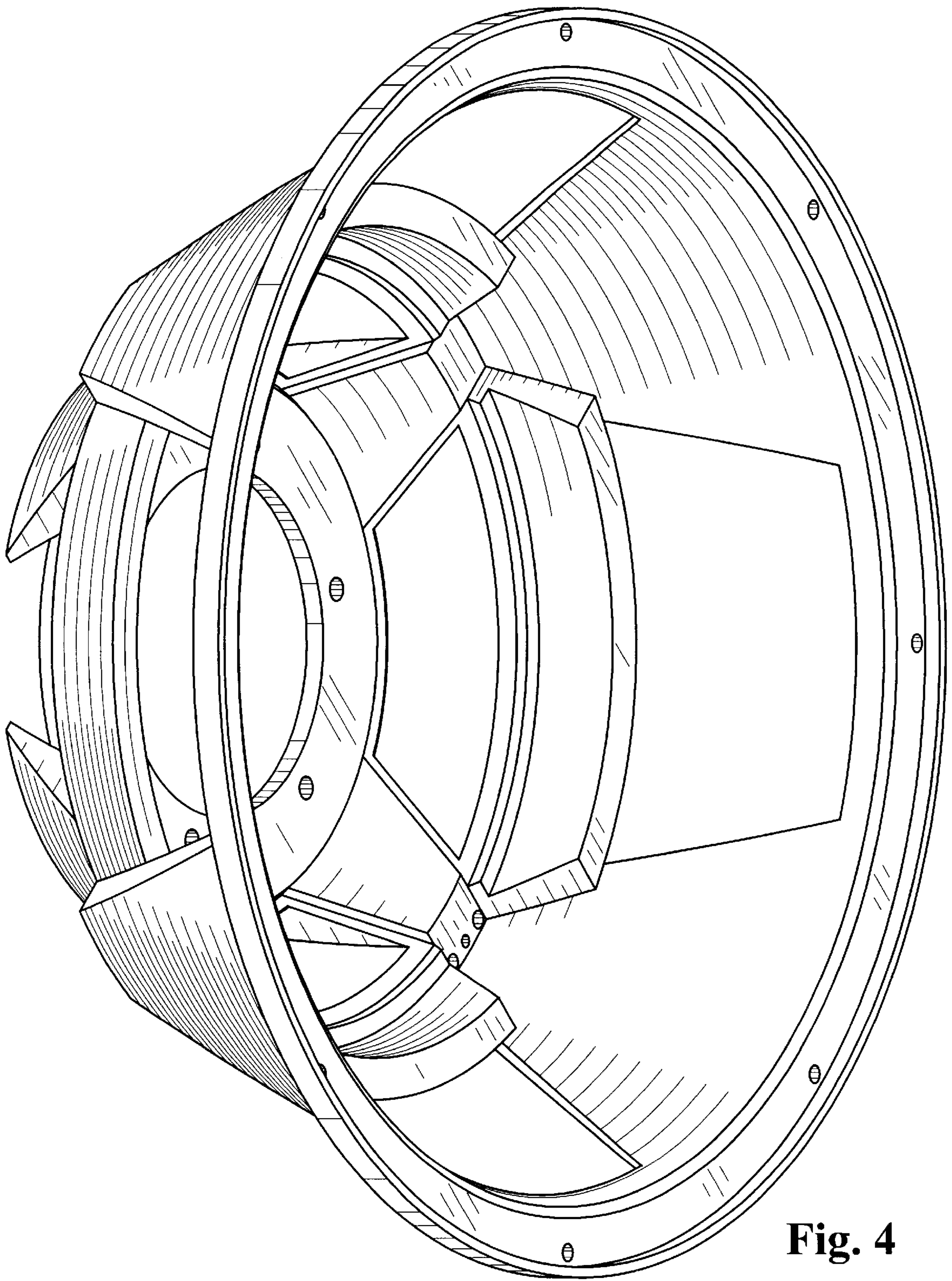


Fig. 4