



US00D472231S

(12) **United States Design Patent**
Eisenbraun

(10) **Patent No.:** **US D472,231 S**

(45) **Date of Patent:** **** Mar. 25, 2003**

(54) **HEADSET**

(75) **Inventor:** **Kenneth D. Eisenbraun**, Bloomfield Village, MI (US)

(73) **Assignee:** **United Global Sourcing Inc.**, Troy, MI (US)

(**) **Term:** **14 Years**

(21) **Appl. No.:** **29/161,355**

(22) **Filed:** **May 28, 2002**

(51) **LOC (7) Cl.** **14-01**

(52) **U.S. Cl.** **D14/223; D14/206**

(58) **Field of Search** D14/188, 192, D14/205, 206, 223, 225, 226, 227, 228, 229; 181/129, 130; 379/430, 433; 381/381, 370, 376, 377, 378, 379, 380

D403,327 S	12/1998	Landreth et al.	
5,960,094 A	* 9/1999	Jensen et al.	381/381
6,101,260 A	8/2000	Jensen et al.	
D436,095 S	* 1/2001	Schmidt et al.	D14/206
D436,348 S	1/2001	McGugan	
D439,890 S	4/2001	Skulley et al.	
D443,871 S	* 6/2001	Hofstede et al.	D14/206
D451,907 S	* 12/2001	Amae et al.	D14/223
D452,857 S	* 1/2002	Hong	D14/223
D455,732 S	* 4/2002	Skulley et al.	D14/223
D460,960 S	* 7/2002	Kao	D14/223

* cited by examiner

Primary Examiner—Paula A. Mortimer

(74) *Attorney, Agent, or Firm*—Gifford, Krass, Groh, Sprinkle, Anderson & Citkowski, P.C.

(57) **CLAIM**

The ornamental design for a headset, as shown and described.

DESCRIPTION

FIG. 1 is a perspective view of a headset showing my new design;

FIG. 2 is a front elevational view thereof;

FIG. 3 is a top plan view thereof;

FIG. 4 is a right elevational view thereof;

FIG. 5 is a rear elevational view thereof;

FIG. 6 is a bottom plan view thereof;

FIG. 7 is a left elevational view thereof; and,

FIG. 8 is a front view thereof (the broken line showing the human head is for illustrative purposes only and forms no part of the claimed design.).

(56) **References Cited**

U.S. PATENT DOCUMENTS

3,440,365 A	4/1969	Bryant et al.	
4,039,765 A	8/1977	Tichy et al.	
4,893,344 A	1/1990	Tragardh et al.	
D344,730 S	3/1994	Gathey et al.	
5,381,486 A	1/1995	Ludeke et al.	
5,446,788 A	8/1995	Lucey et al.	
5,450,496 A	9/1995	Burris et al.	
D366,486 S	1/1996	Runquist et al.	
D375,313 S	11/1996	Jensen et al.	
D377,020 S	12/1996	Bungardt et al.	
D394,437 S	5/1998	Landreth et al.	D14/206
5,787,166 A	7/1998	Ullman	

1 Claim, 3 Drawing Sheets

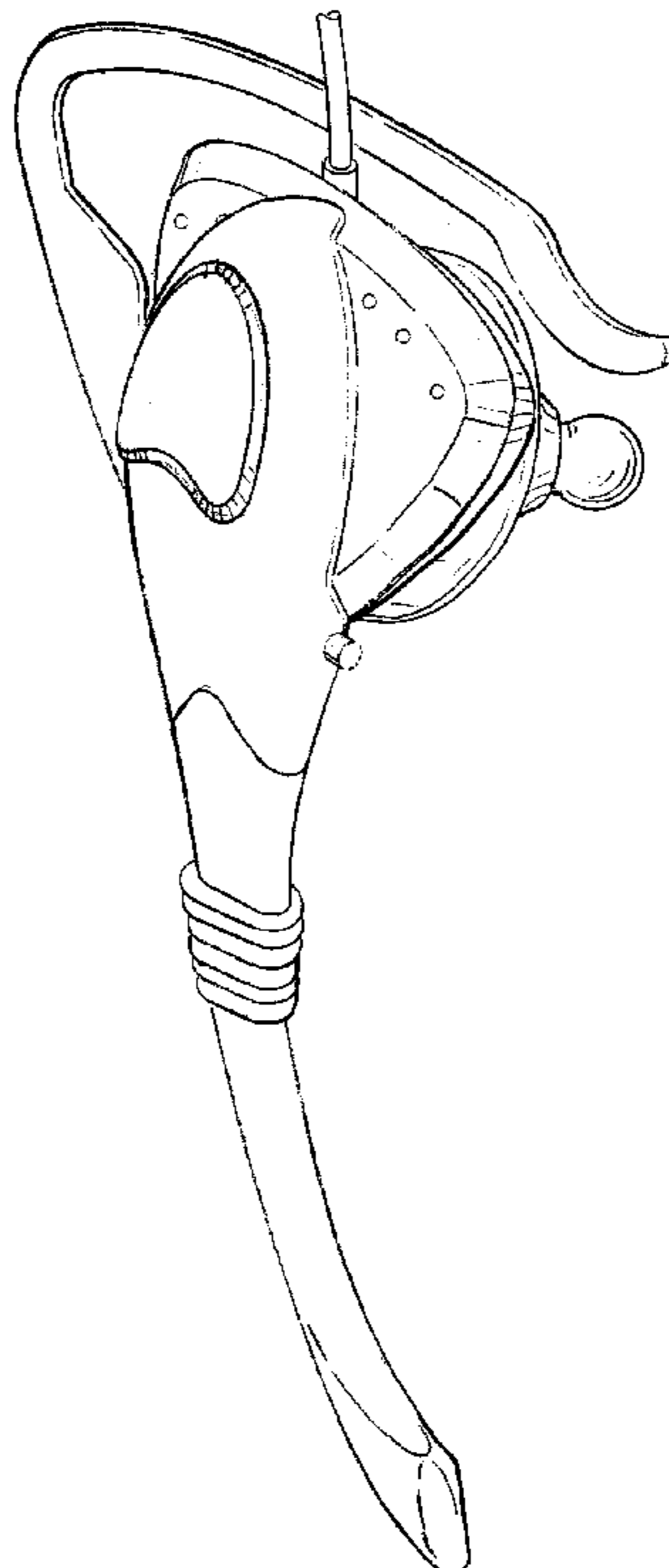


FIG - 1

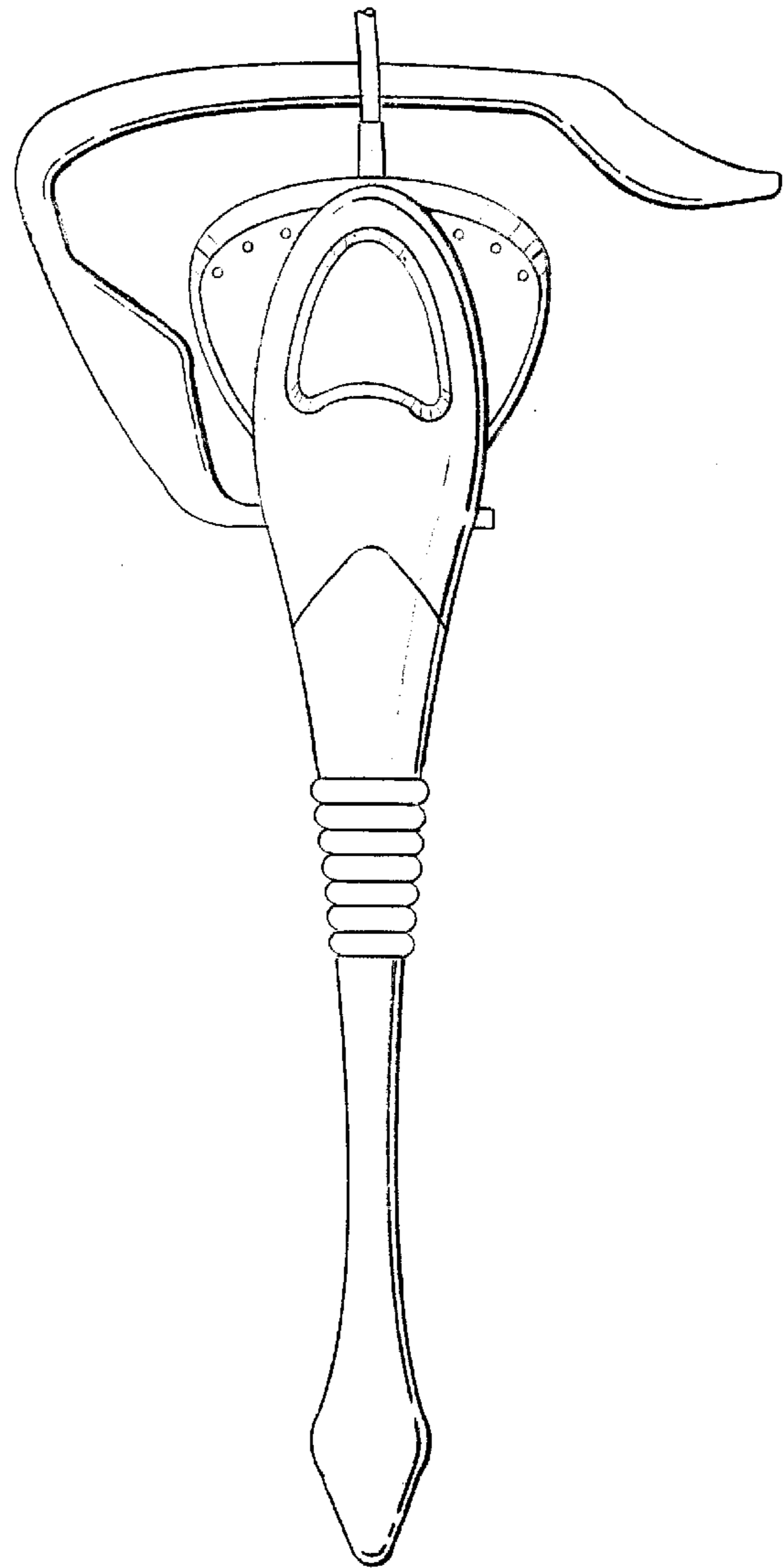
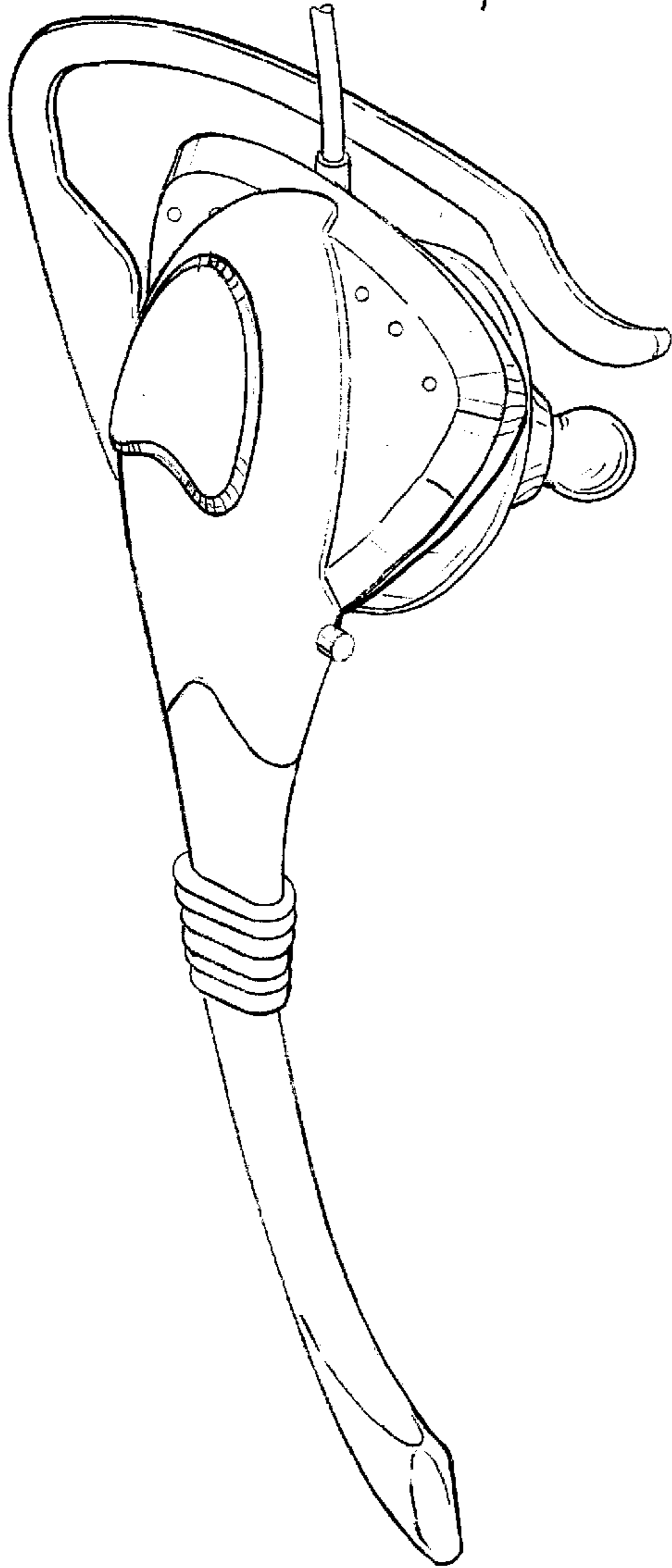


FIG - 2

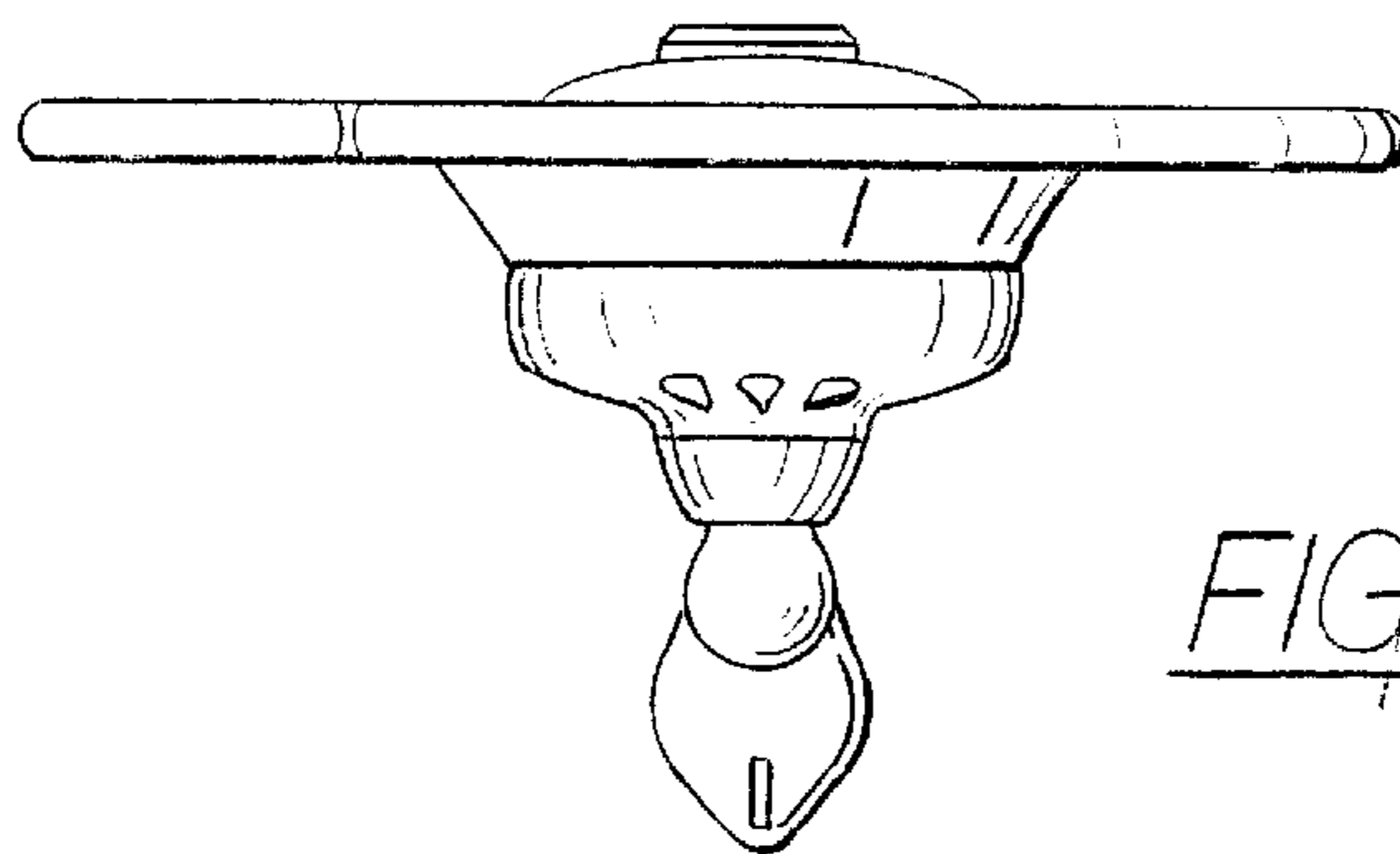


FIG - 3

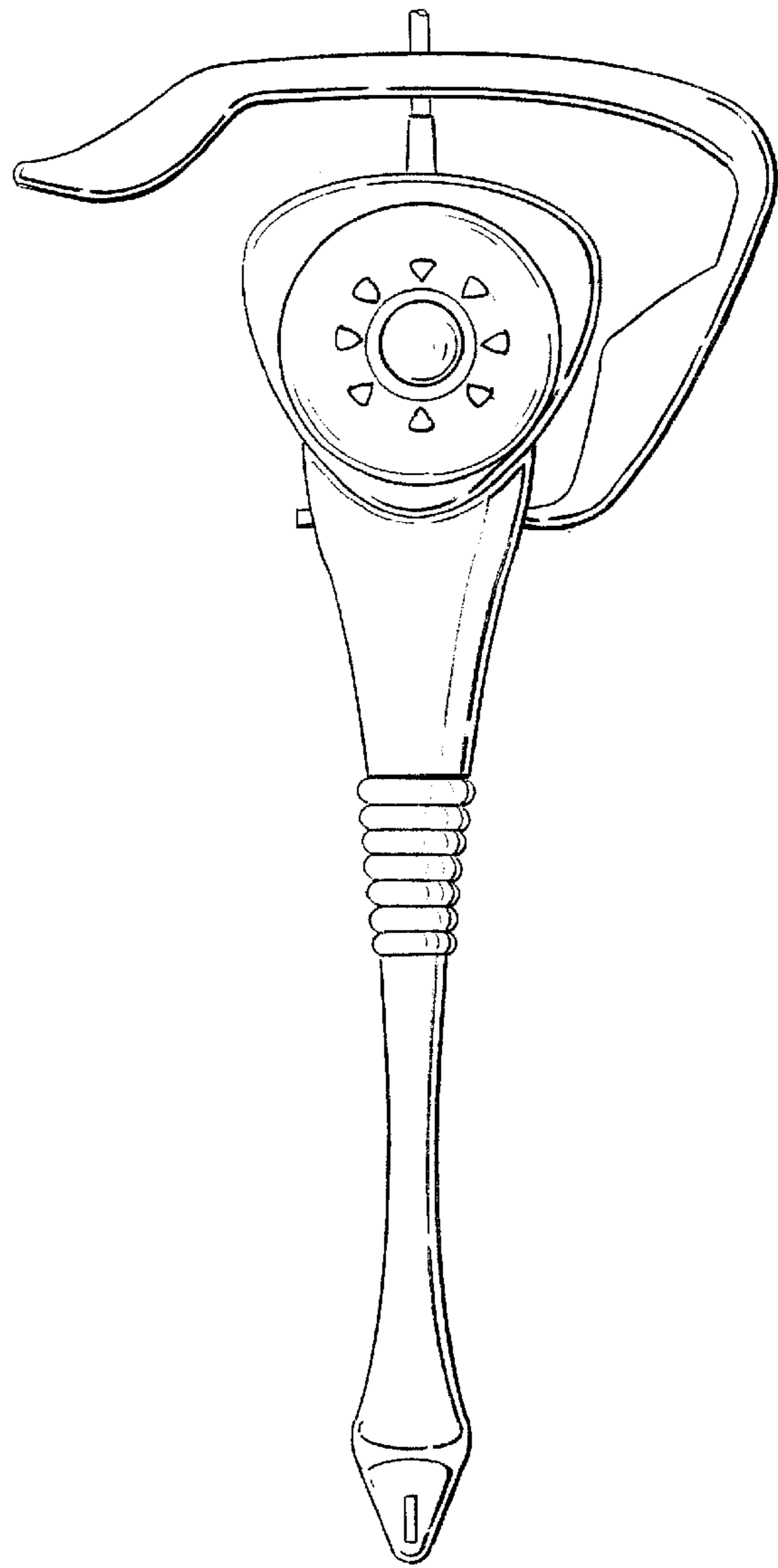
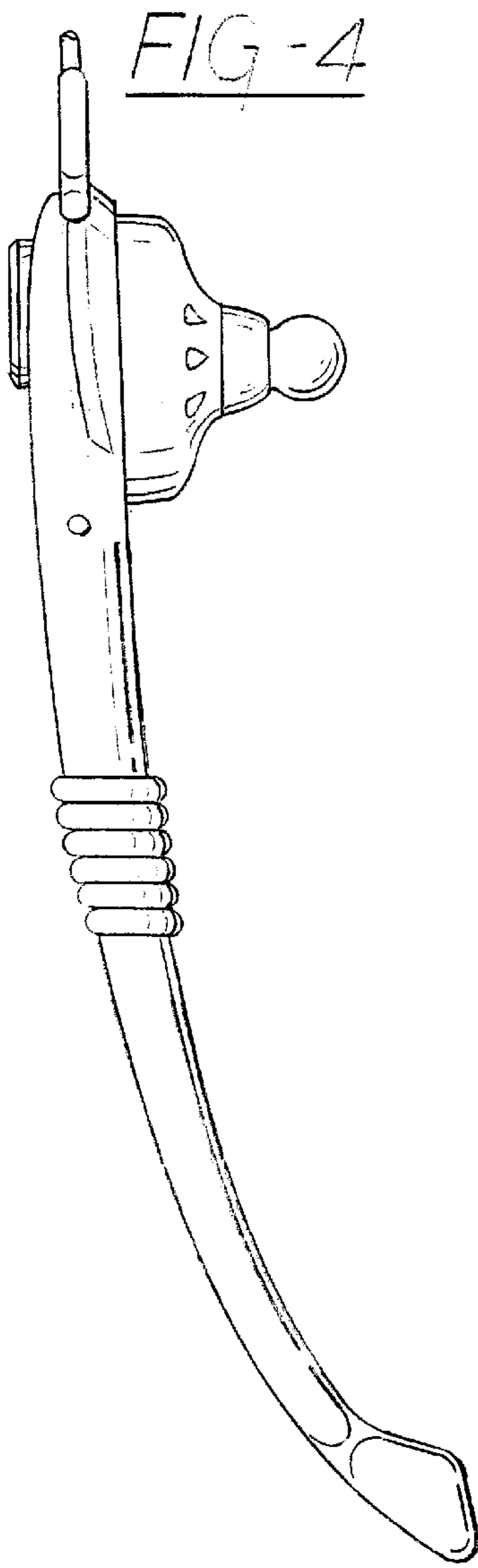


FIG - 5

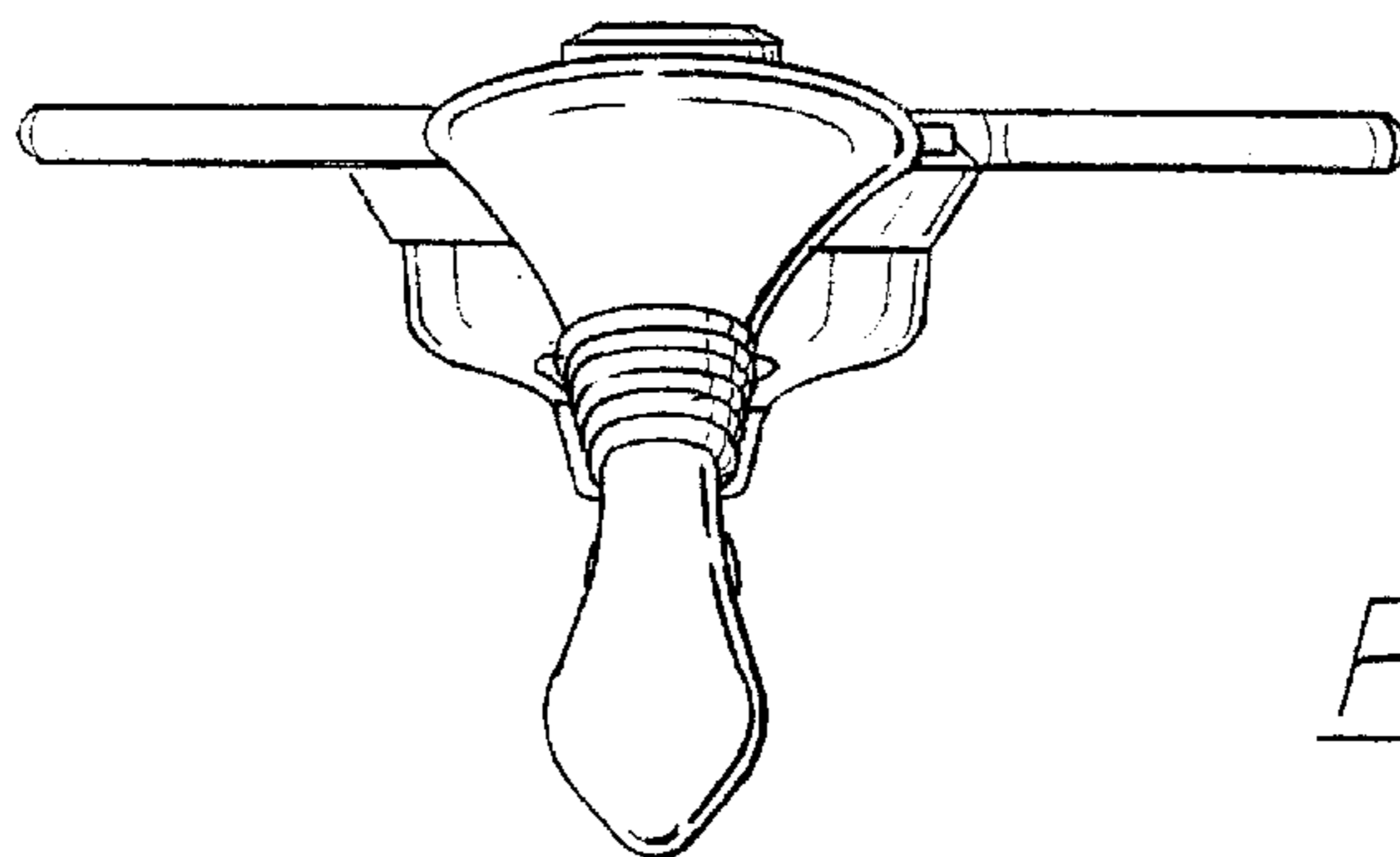


FIG - 6

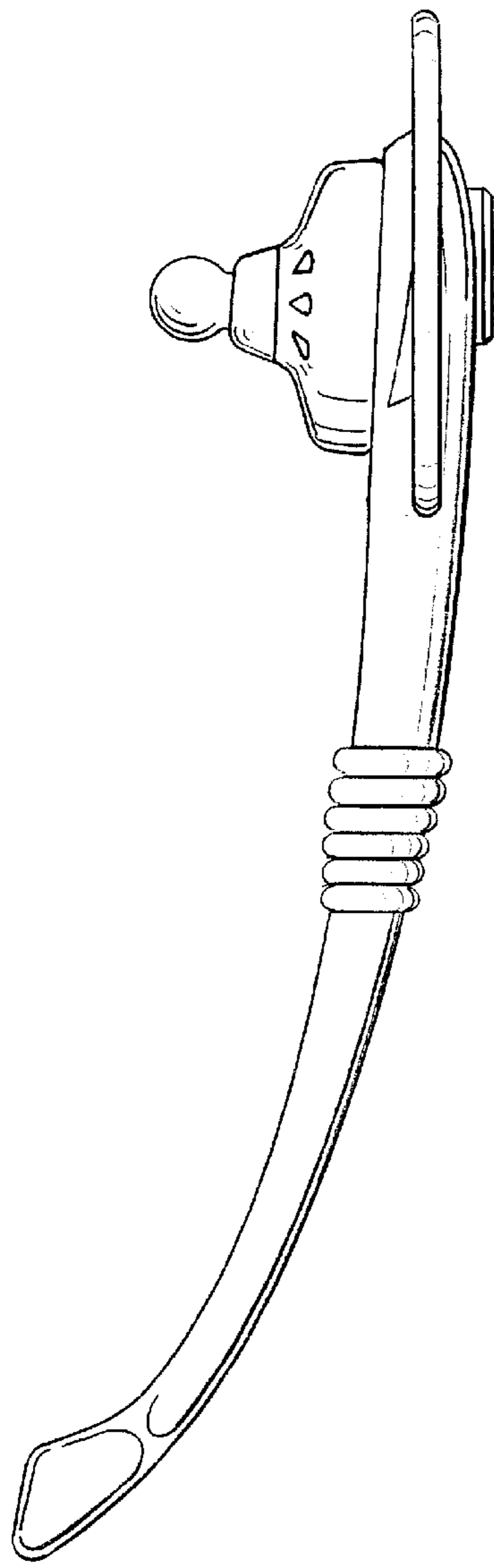


FIG-7

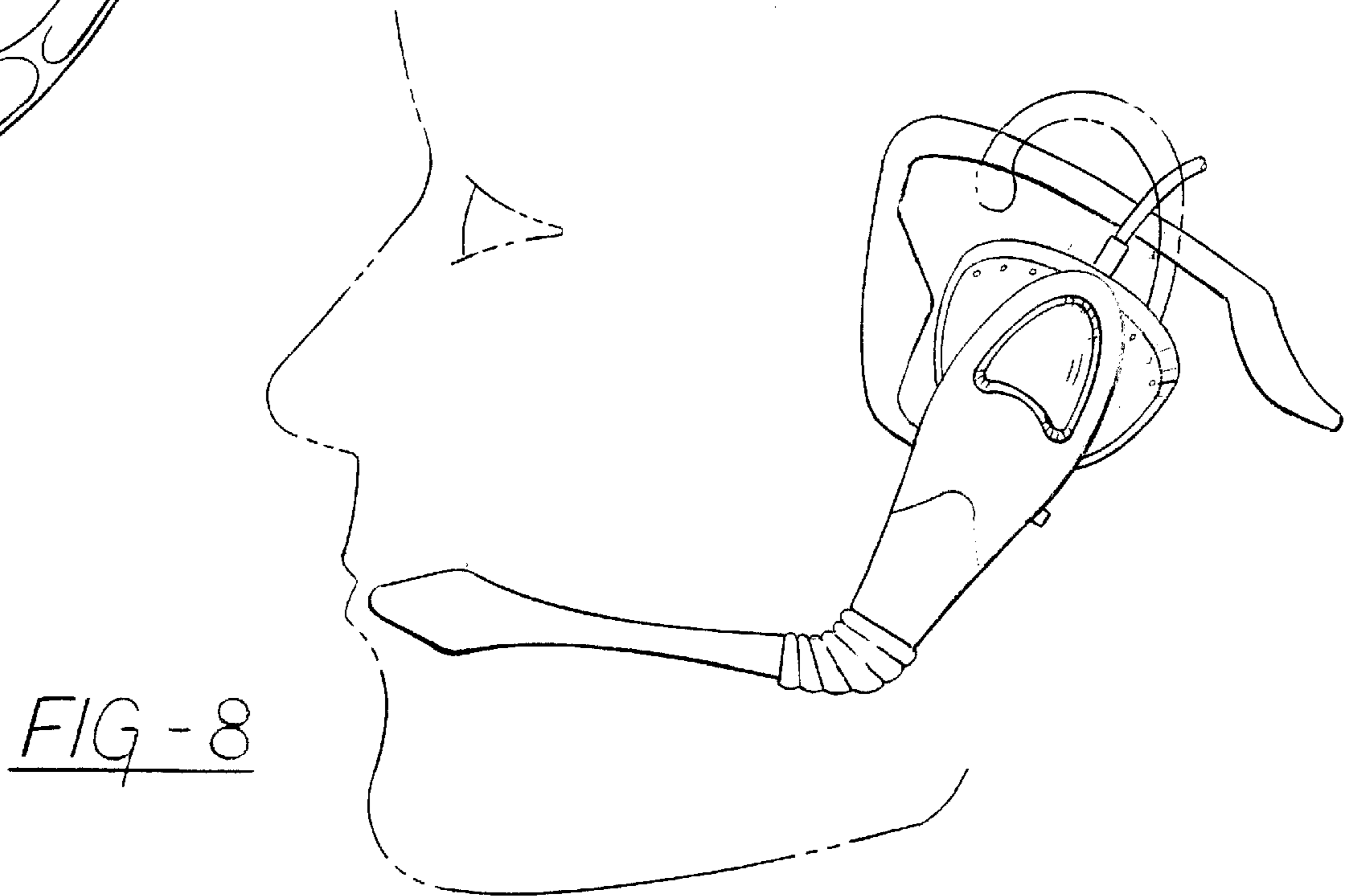


FIG-8